



US00D330162S

United States Patent [19]

[11] Patent Number: **Des. 330,162**

Verchere

[45] Date of Patent: **** Oct. 13, 1992**

[54] **CONTAINER**

3,416,701 12/1968 Kramer et al. 220/318
4,523,692 6/1985 Lemkin 206/508 X

[75] Inventor: **Maurice Verchere, Oyonnax, France**

[73] Assignee: **Injectaplastic SA, France**

[**] Term: **14 Years**

[21] Appl. No.: **502,305**

[22] Filed: **Mar. 28, 1990**

[30] **Foreign Application Priority Data**

Sep. 28, 1989 [XH] Hague DM/014678

[52] U.S. Cl. **D9/424**

[58] Field of Search D9/424, 425, 429;
D34/40, 43; 206/1.5, 503, 508, 509; 220/318,
23.83, 23.6

[56] **References Cited**

U.S. PATENT DOCUMENTS

- D. 158,631 5/1950 Woock D34/40 X
- D. 238,148 12/1975 Dilot D9/425 X
- D. 252,179 6/1979 Cherry D34/44 X
- D. 302,774 8/1989 Murphy D9/425 X
- D. 319,016 8/1991 Kahl D9/424
- 3,376,046 4/1968 Kivett et al. 206/508 X

OTHER PUBLICATIONS

LEWISystem cat, Jan. 1983, p. 11 bottom right of the page container.

LEWISystem cat, Jan. 1983, p. 24 container with cover as shown.

Primary Examiner—Bernard Ansher

Assistant Examiner—Prabhakar Deshmukh

Attorney, Agent, or Firm—Larson & Taylor

[57] **CLAIM**

The ornamental design for a container, as shown and described.

DESCRIPTION

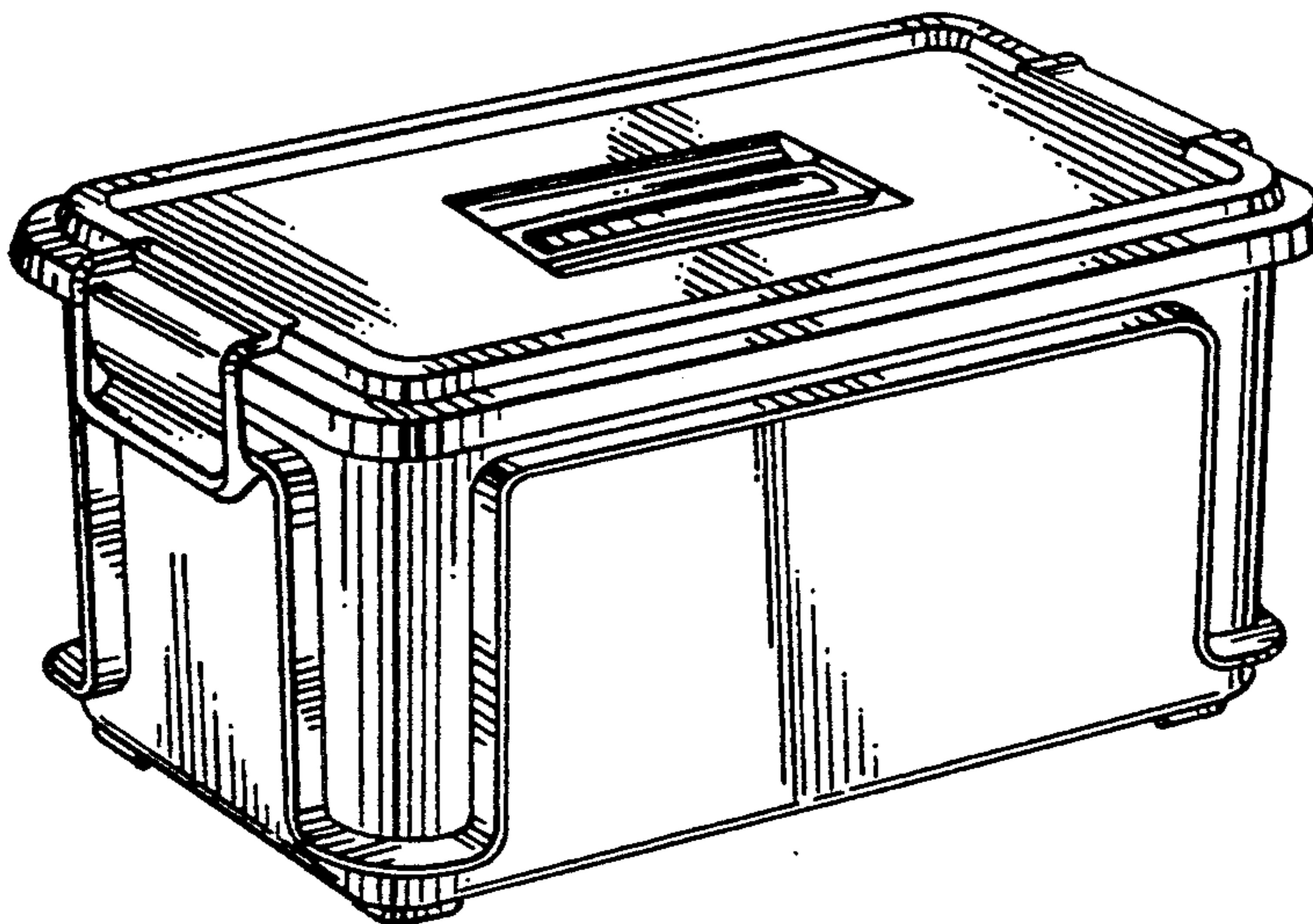
FIG. 1 is a perspective view of a container showing my new design,

FIG. 2 is a right side elevational view thereof; the left side elevational view being a mirror image thereof;

FIG. 3 is a front elevational view thereof; the rear elevational view being a mirror image thereof,

FIG. 4 is a top plan view thereof; and,

FIG. 5 is a bottom plan view thereof.



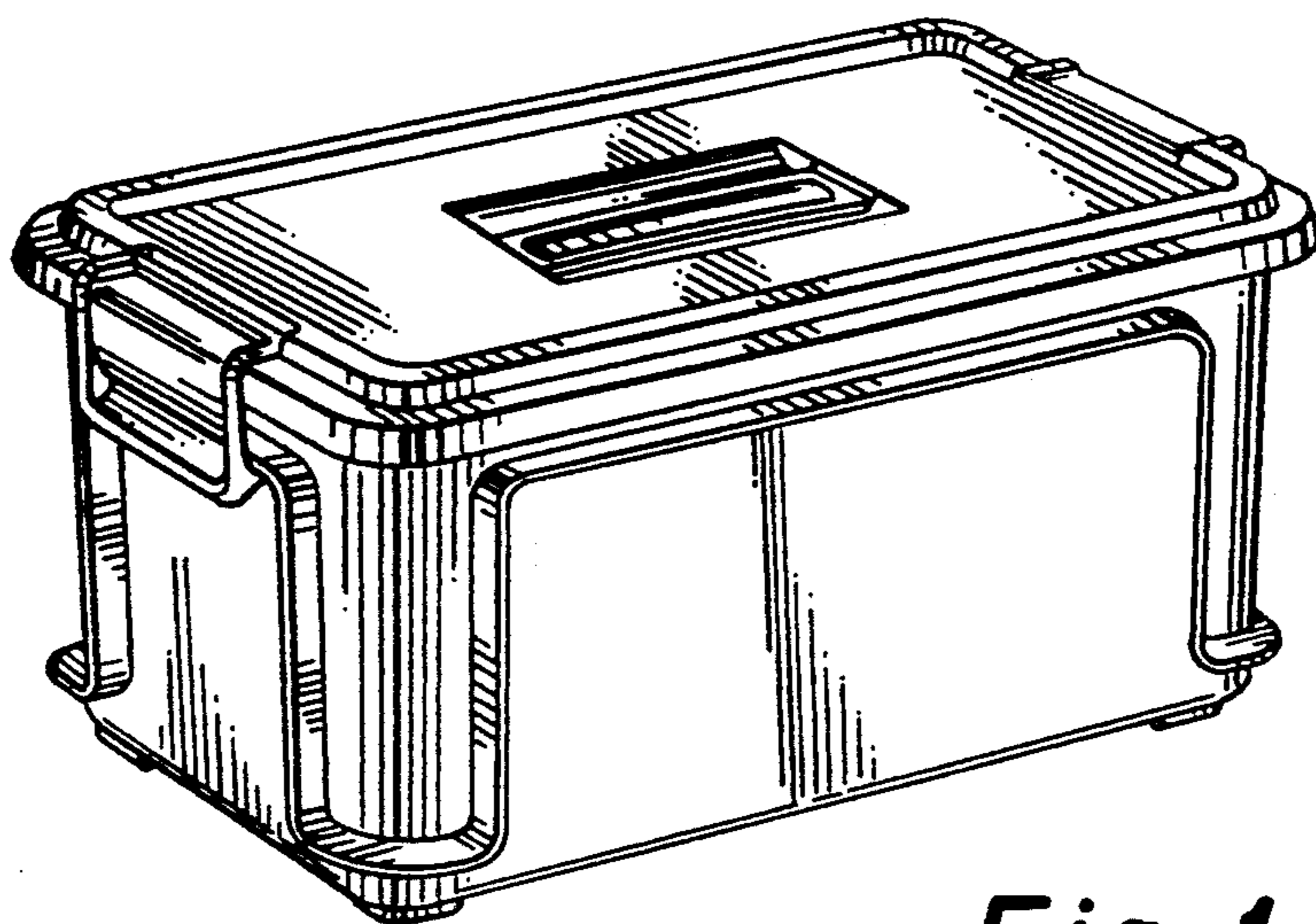


Fig. 1

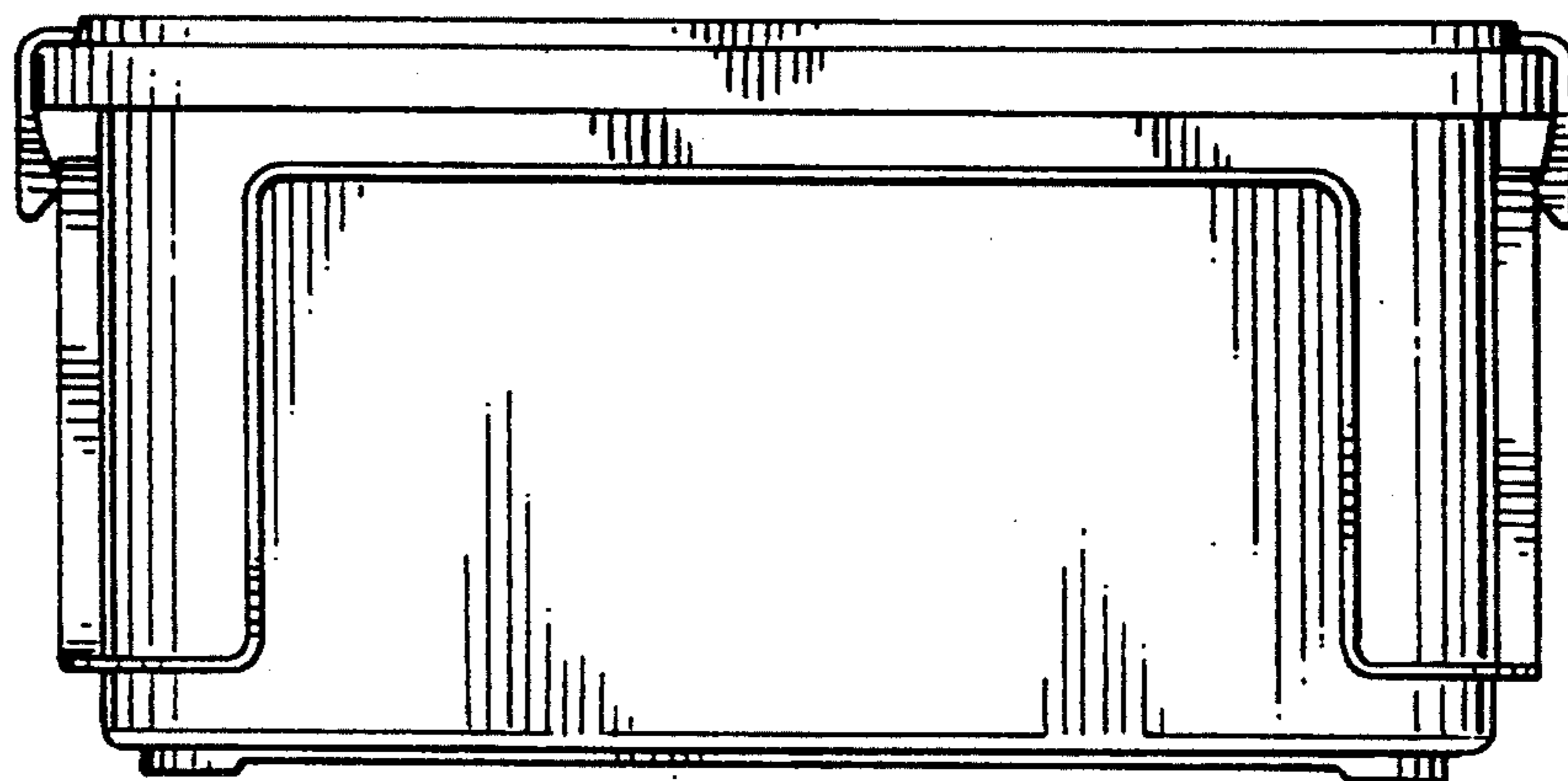


Fig. 2

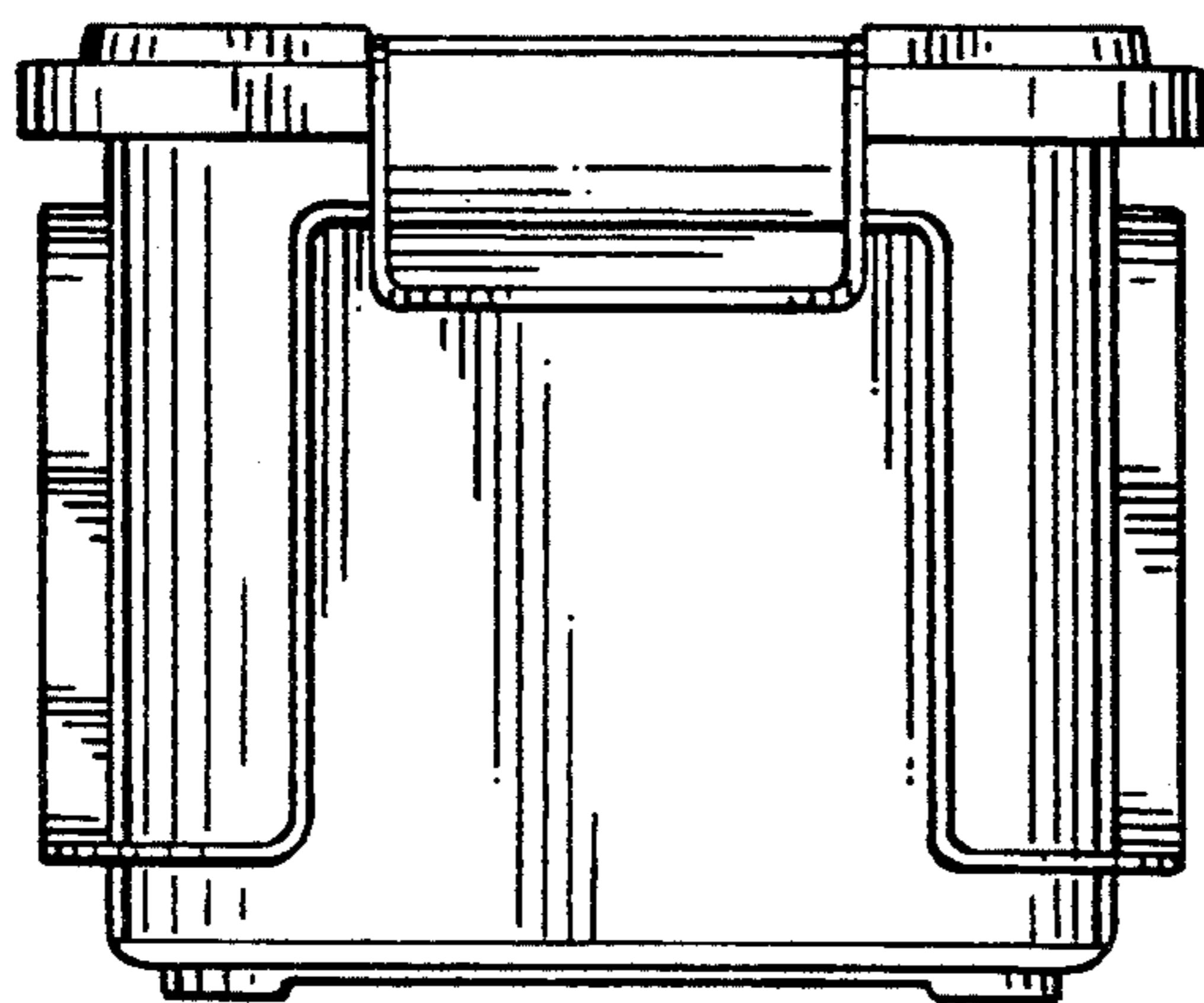


Fig. 3

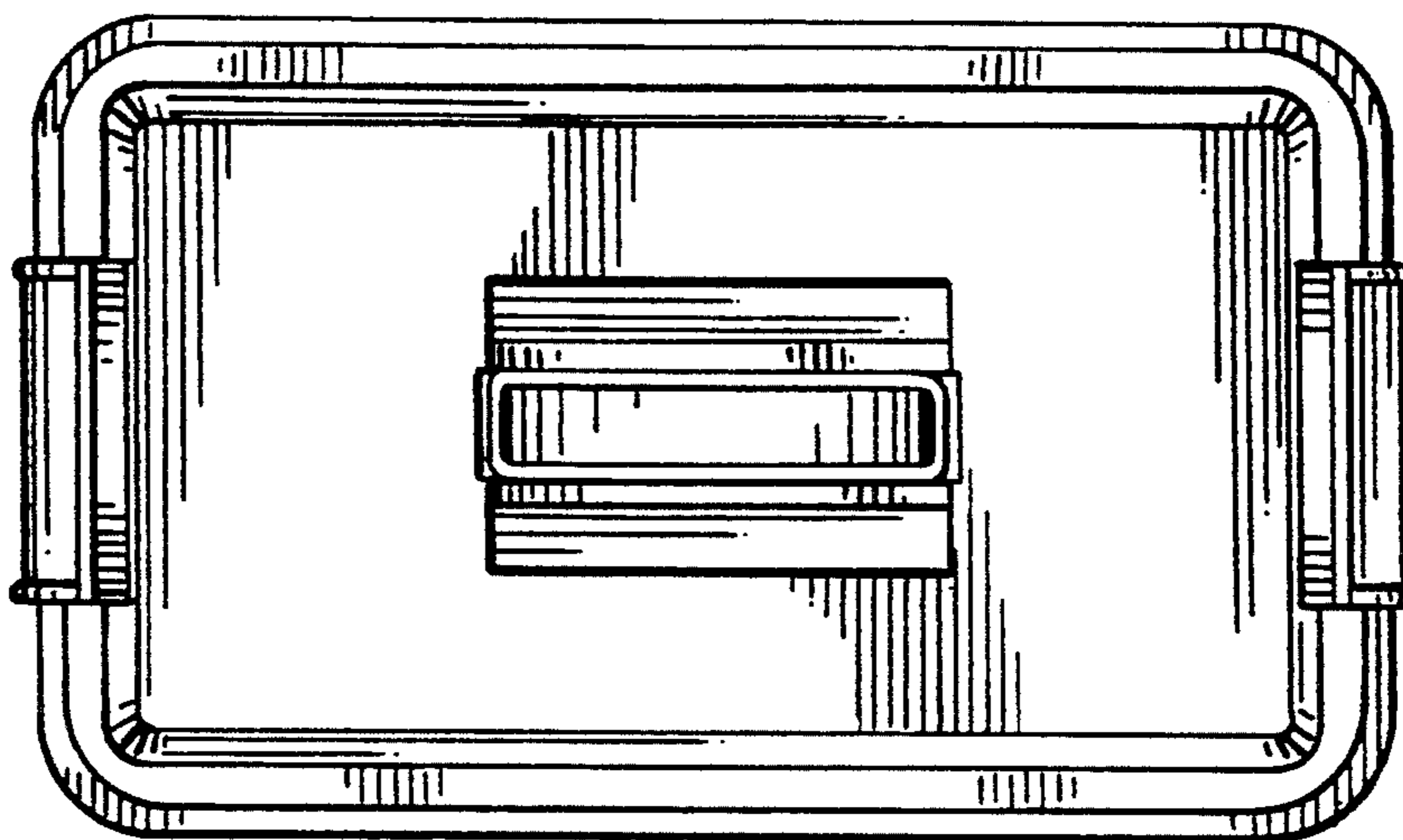


Fig. 4

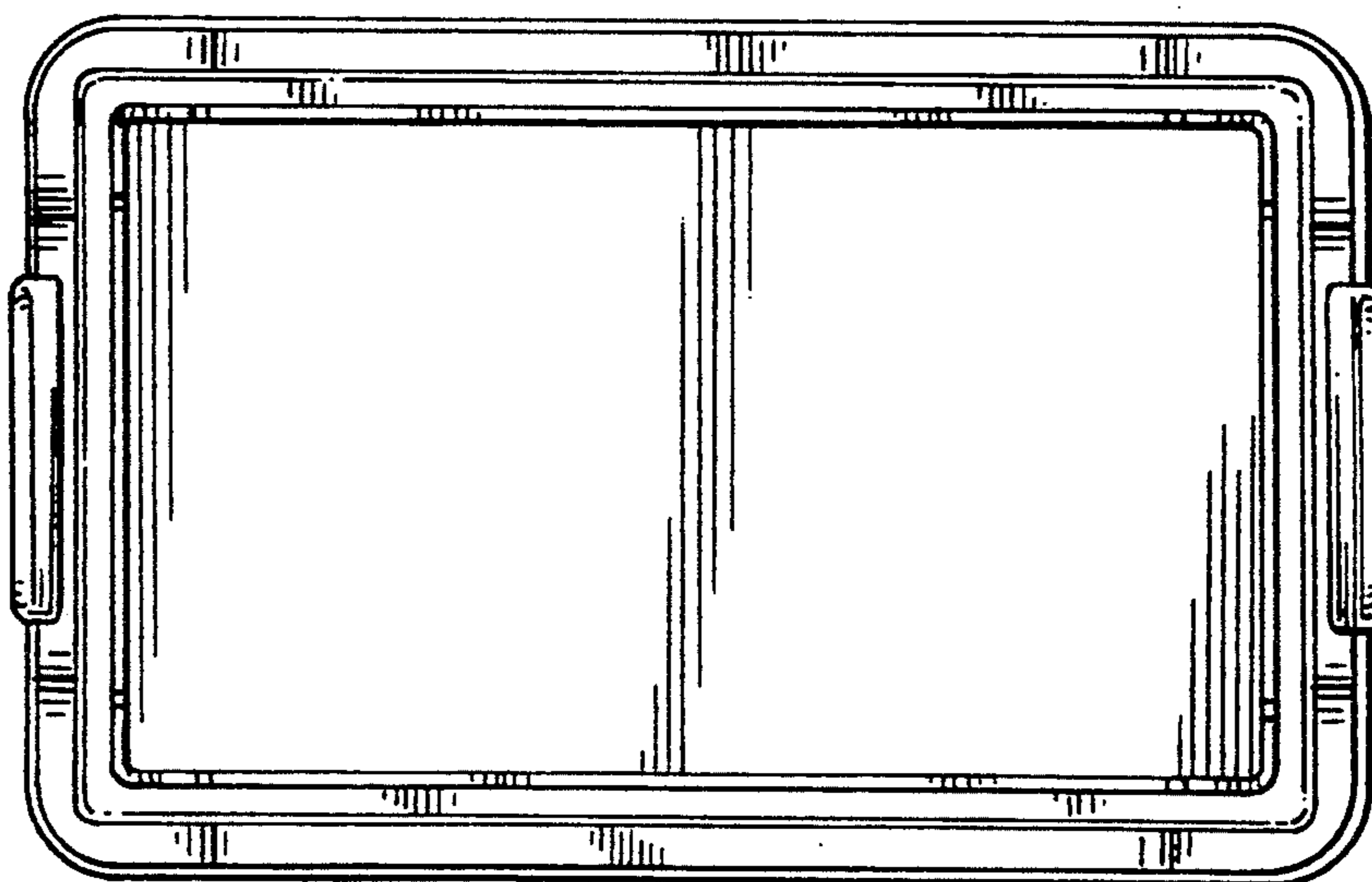


Fig. 5