



US00D330161S

United States Patent [19]

[11] Patent Number: **Des. 330,161**

Schuh

[45] Date of Patent: **** Oct. 13, 1992**

[54] **CONTAINER WITH HINGED LID**

[75] Inventor: **Robert R. Schuh, Kaukauna, Wis.**

[73] Assignee: **Scott Paper Company, Philadelphia, Pa.**

[**] Term: **14 Years**

[21] Appl. No.: **482,419**

[22] Filed: **Feb. 20, 1990**

[52] U.S. Cl. **D9/423; D9/425**

[58] Field of Search **D9/420-423, D9/424, 425, 431, 432, 341, 337; 206/216, 214, 215, 494; 220/334, 337, 339, 376; D7/602, 629**

[56] **References Cited**

U.S. PATENT DOCUMENTS

D. 238,148	12/1975	Dilot	D9/425 X
D. 243,914	4/1977	Marubashi et al.	D9/425 X
D. 246,114	6/1977	Martinelli	D9/425 X
D. 246,439	11/1977	Lynn et al.	D9/425
D. 248,215	6/1978	Cherry	D9/418
D. 252,179	6/1979	Cherry	D34/44 X
D. 284,254	6/1986	Carlson	D7/616 X
D. 289,262	4/1987	Goetz et al.	D9/431 X
D. 311,334	10/1990	Flynn et al.	D9/424
3,504,823	4/1970	Logomasini	206/515 X

OTHER PUBLICATIONS

McKee Glass Co., 1942, p. 3, No. 258.
Rogers Plastic Corp., 2-1954.

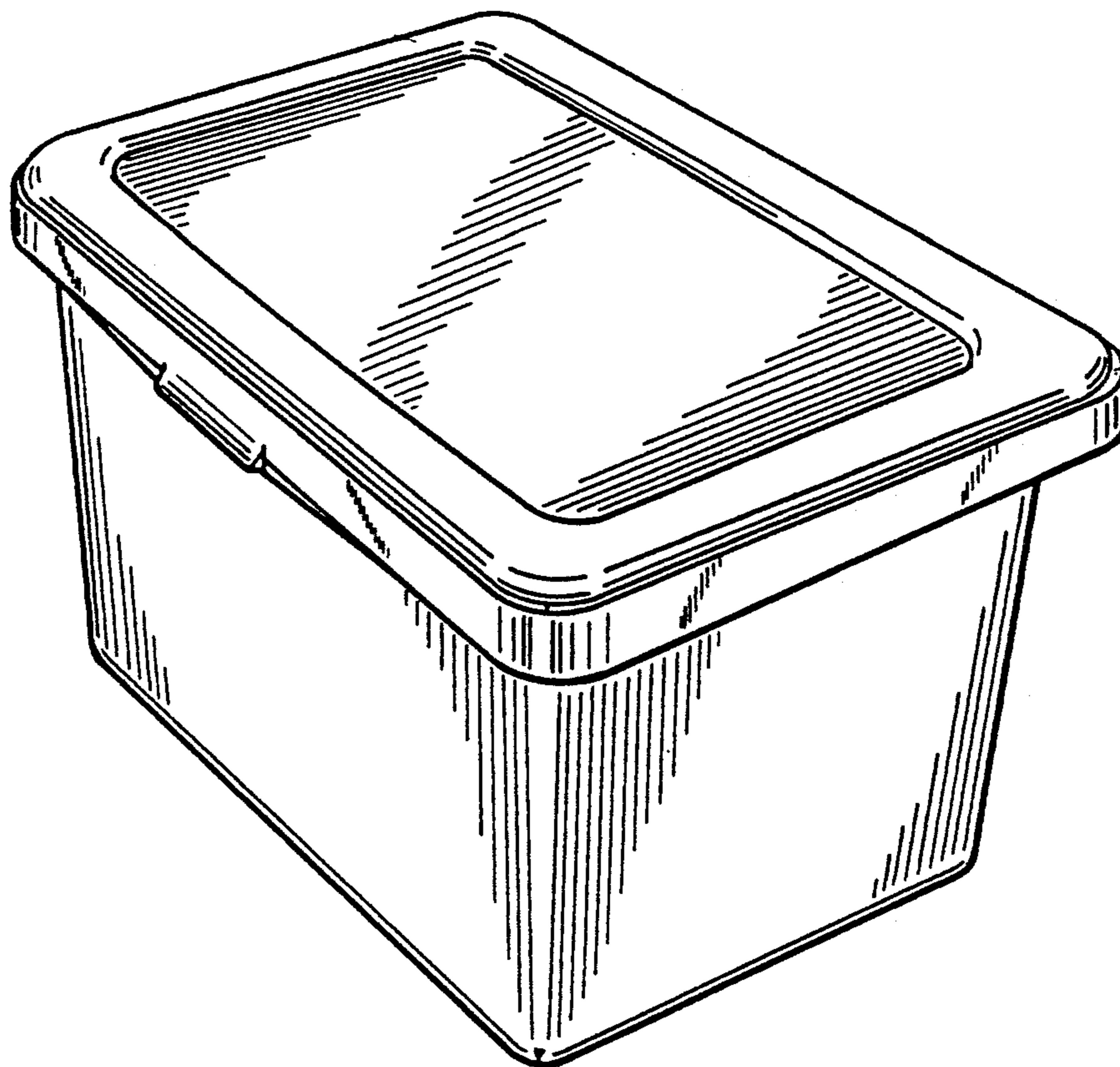
Primary Examiner—Bernard Ansher
Assistant Examiner—Prabhakar Deshmukh
Attorney, Agent, or Firm—Mark G. Bocchetti; John W. Kane, Jr.

[57] **CLAIM**

The ornamental design for a container with hinged lid, as shown and described.

DESCRIPTION

FIG. 1 is a perspective view of a container with hinged lid showing our new design;
FIG. 2 is a front elevation thereof;
FIG. 3 is a right side elevational view thereof; the left side elevation being a mirror image thereof;
FIG. 4 is a top plan view thereof;
FIG. 5 is a bottom plan view thereof;
FIG. 6 is a front elevation of a second embodiment of FIG. 2;
FIG. 7 is a right side elevation of FIG. 6; the left side elevation being a mirror image thereof;
FIG. 8 is a front elevation of the third embodiment of FIG. 2;
FIG. 9 is a right side elevation of FIG. 8; the left side elevation being a mirror image thereof;
FIG. 10 is a rear elevation of FIG. 1;
FIG. 11 is a rear elevation of FIG. 6; and,
FIG. 12 is a rear elevation of FIG. 8.
The top and the bottom surfaces of FIGS. 6 through 9 are similar to that shown in FIGS. 4 and 5.



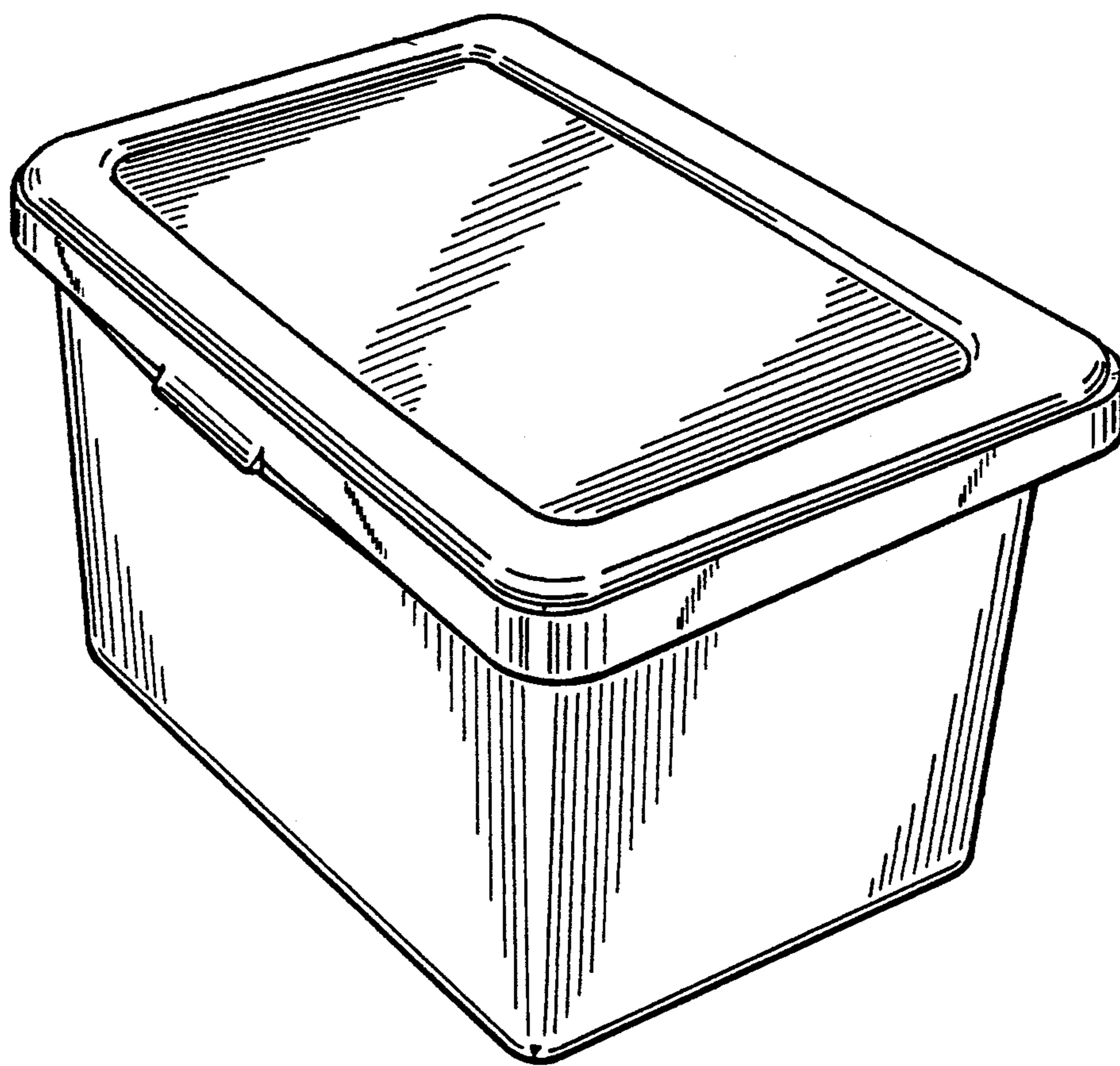


FIG. 1.

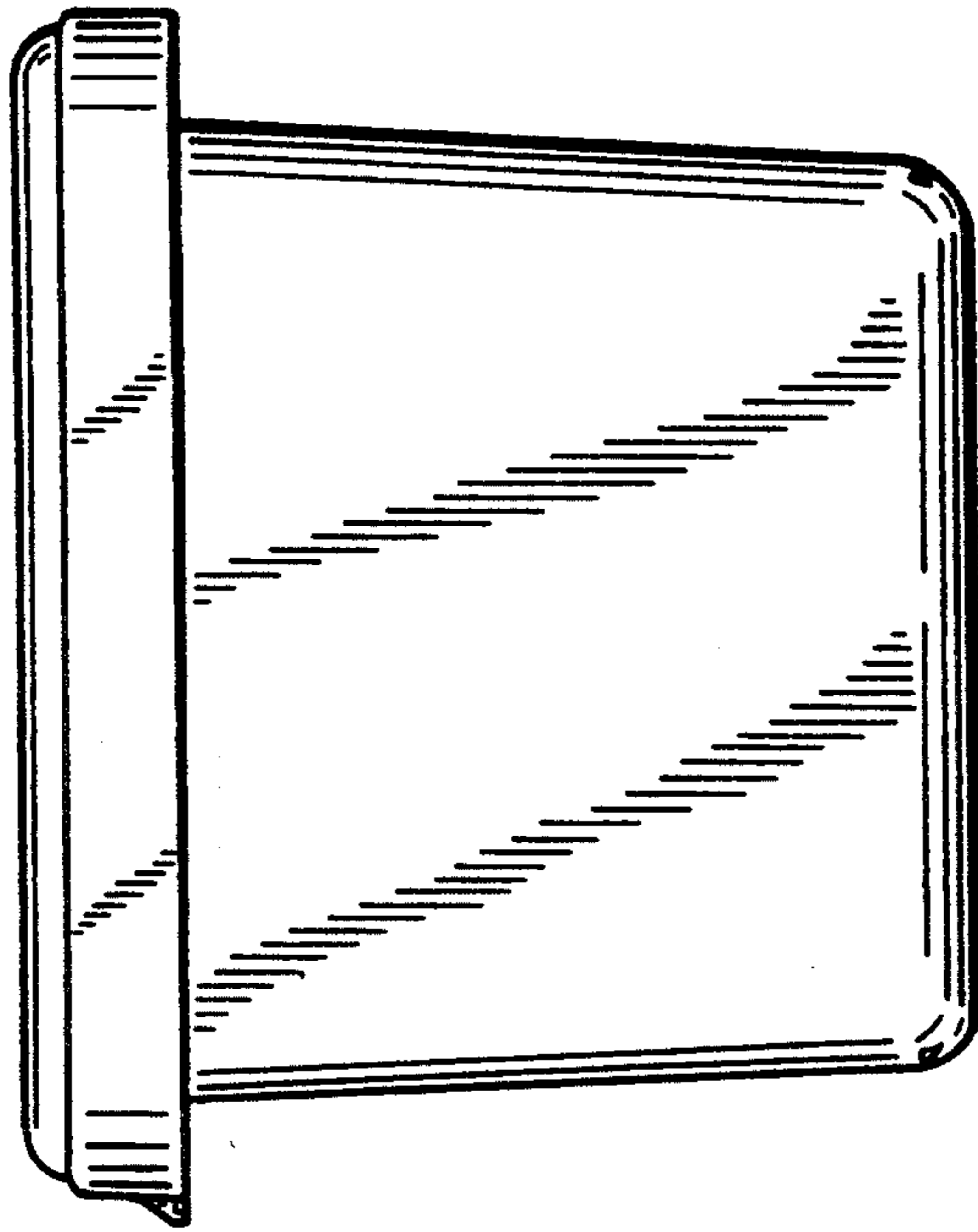


FIG.-3.

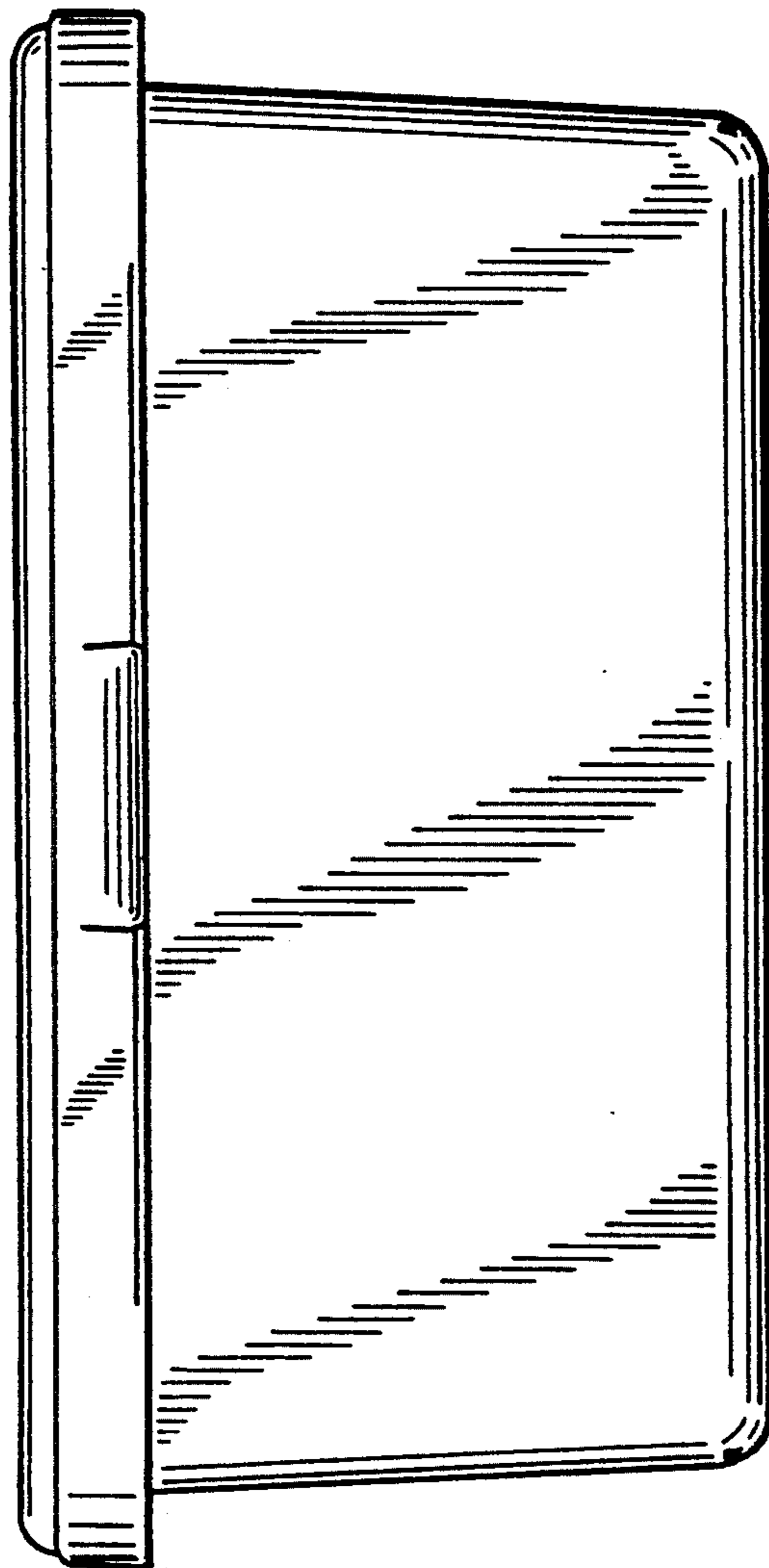


FIG.-2.

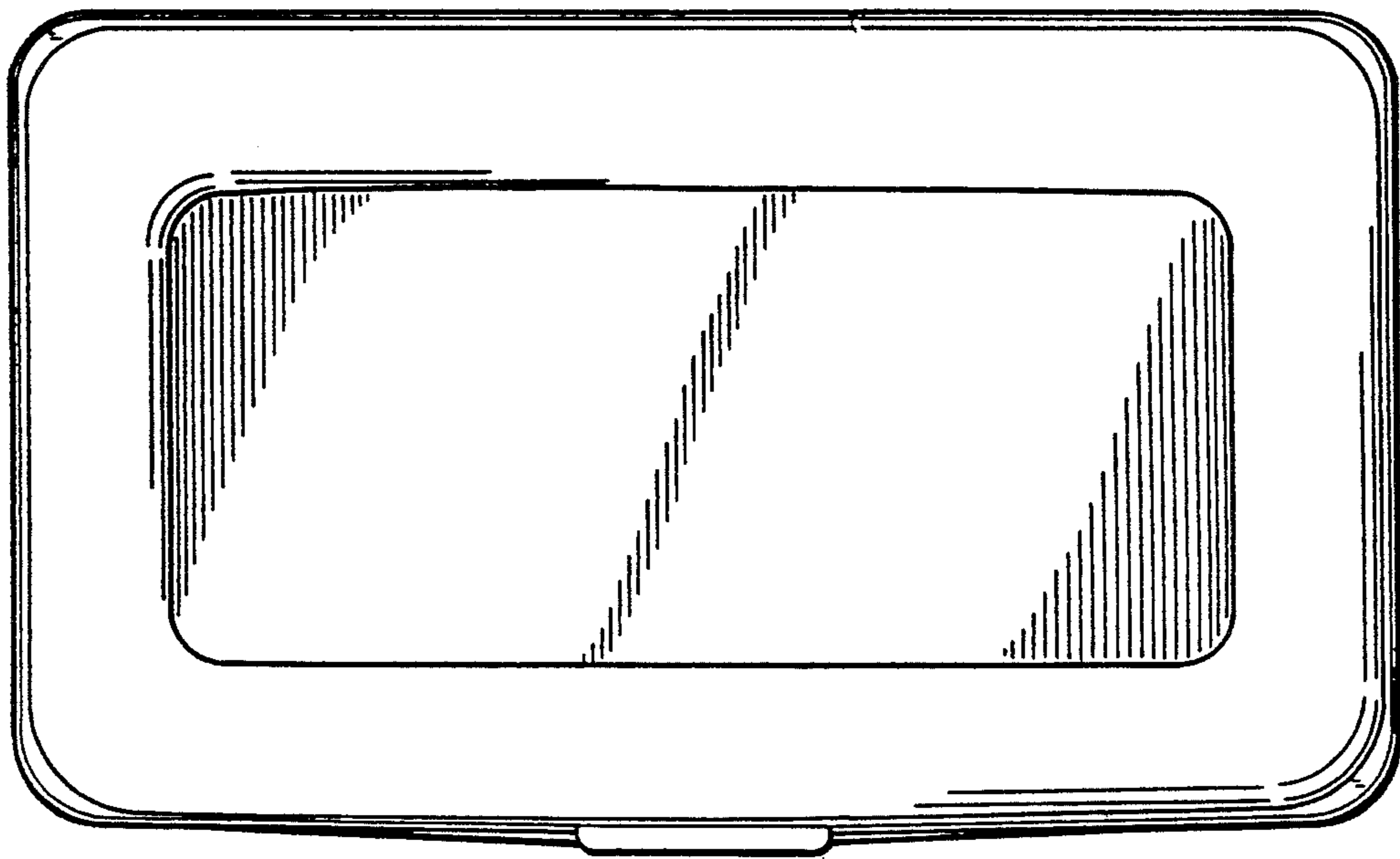


FIG. 4.

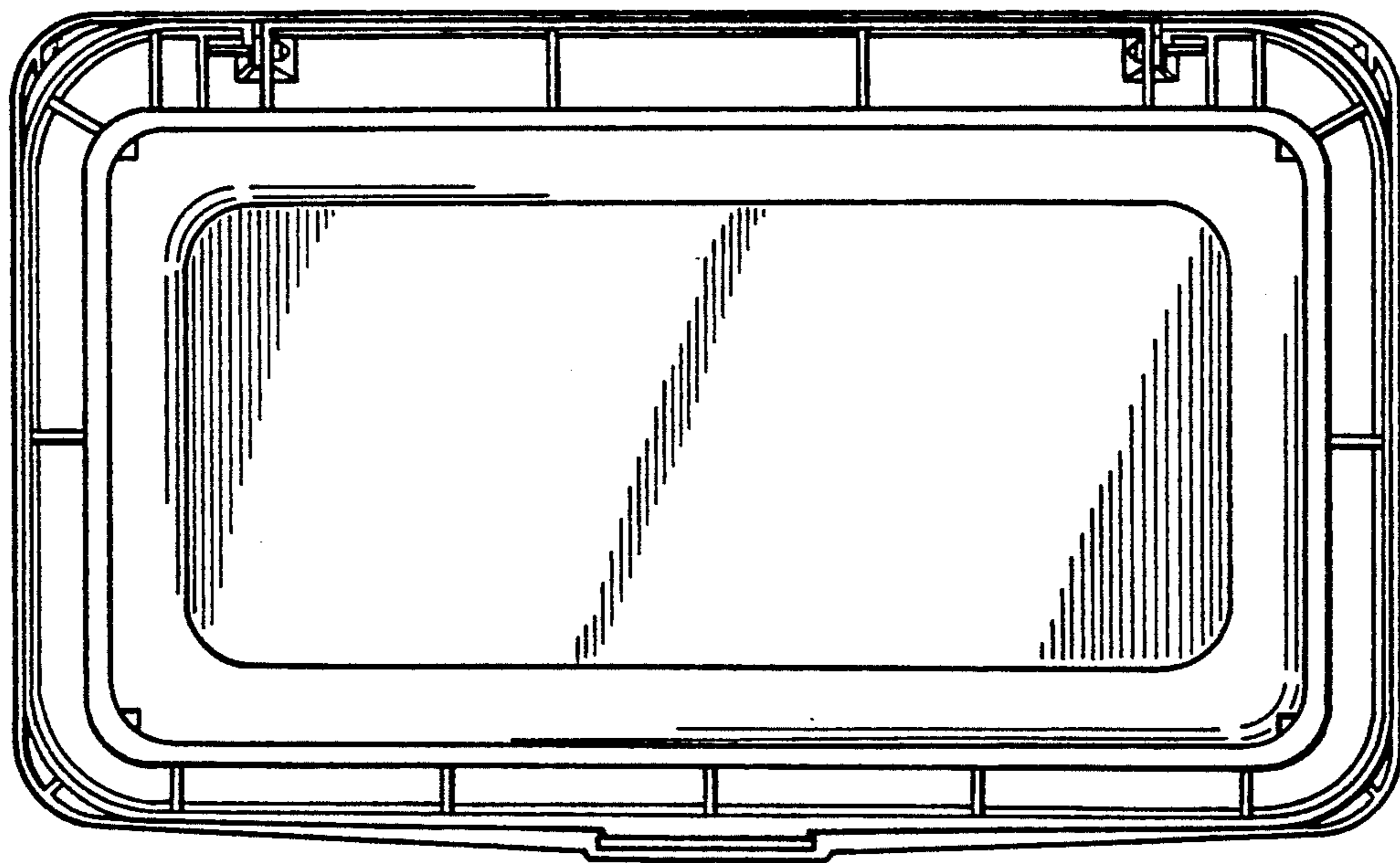


FIG. 5.

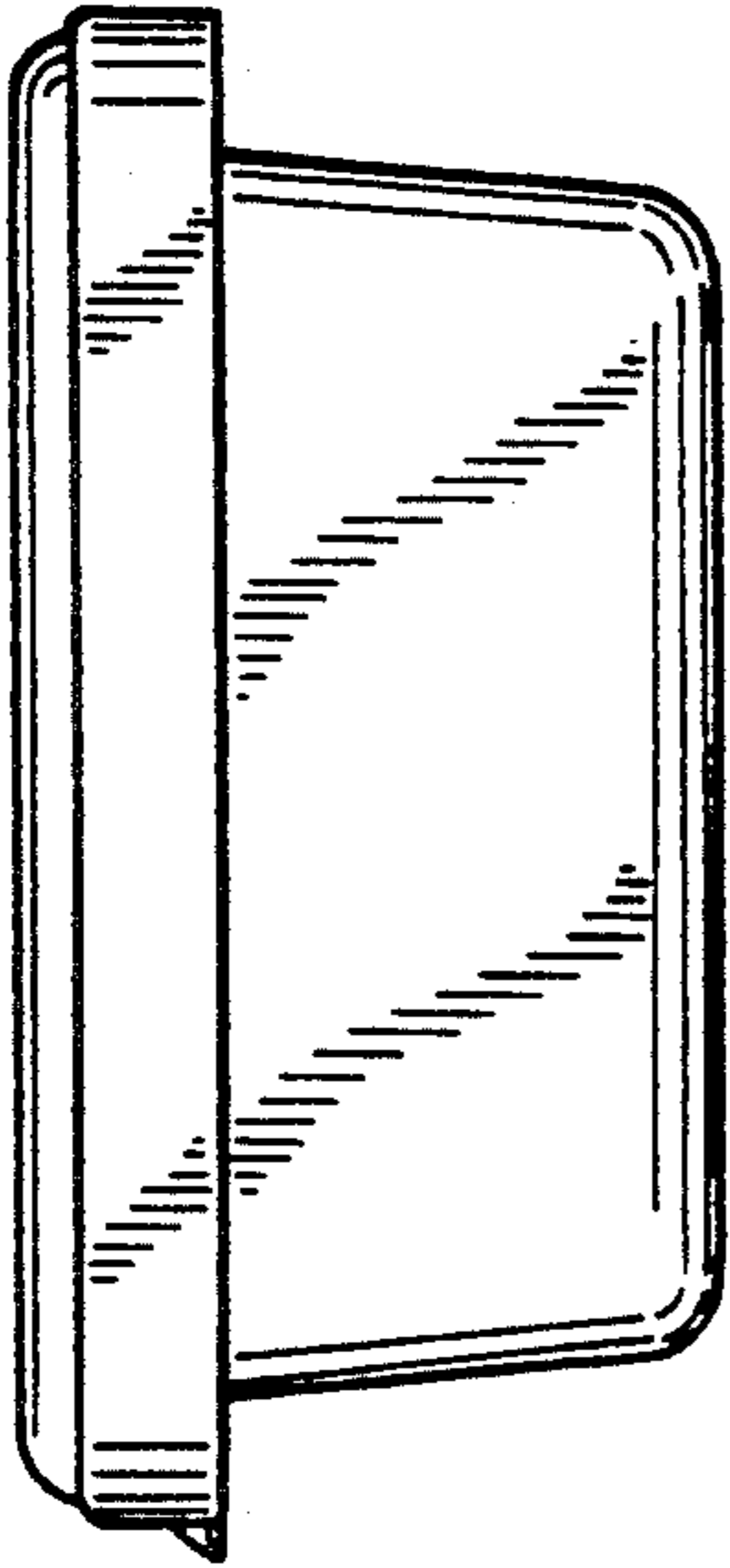


FIG. - 7

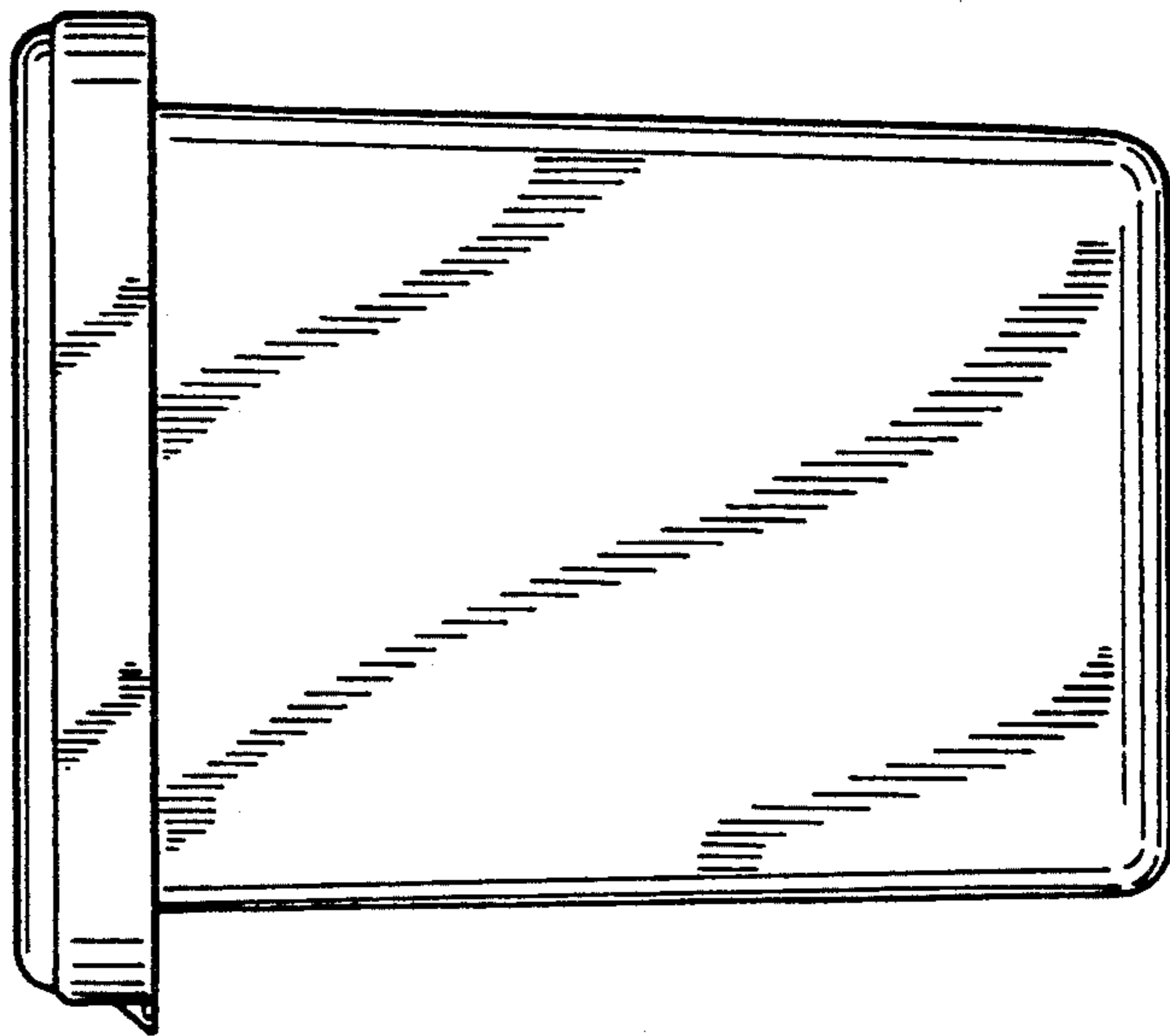


FIG. - 9

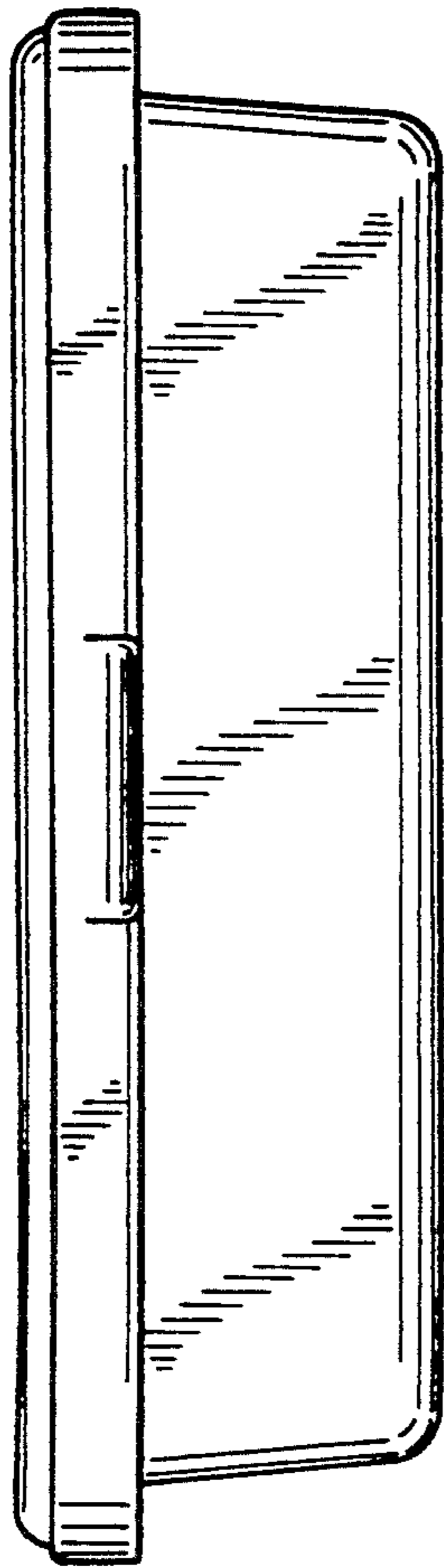


FIG. - 6

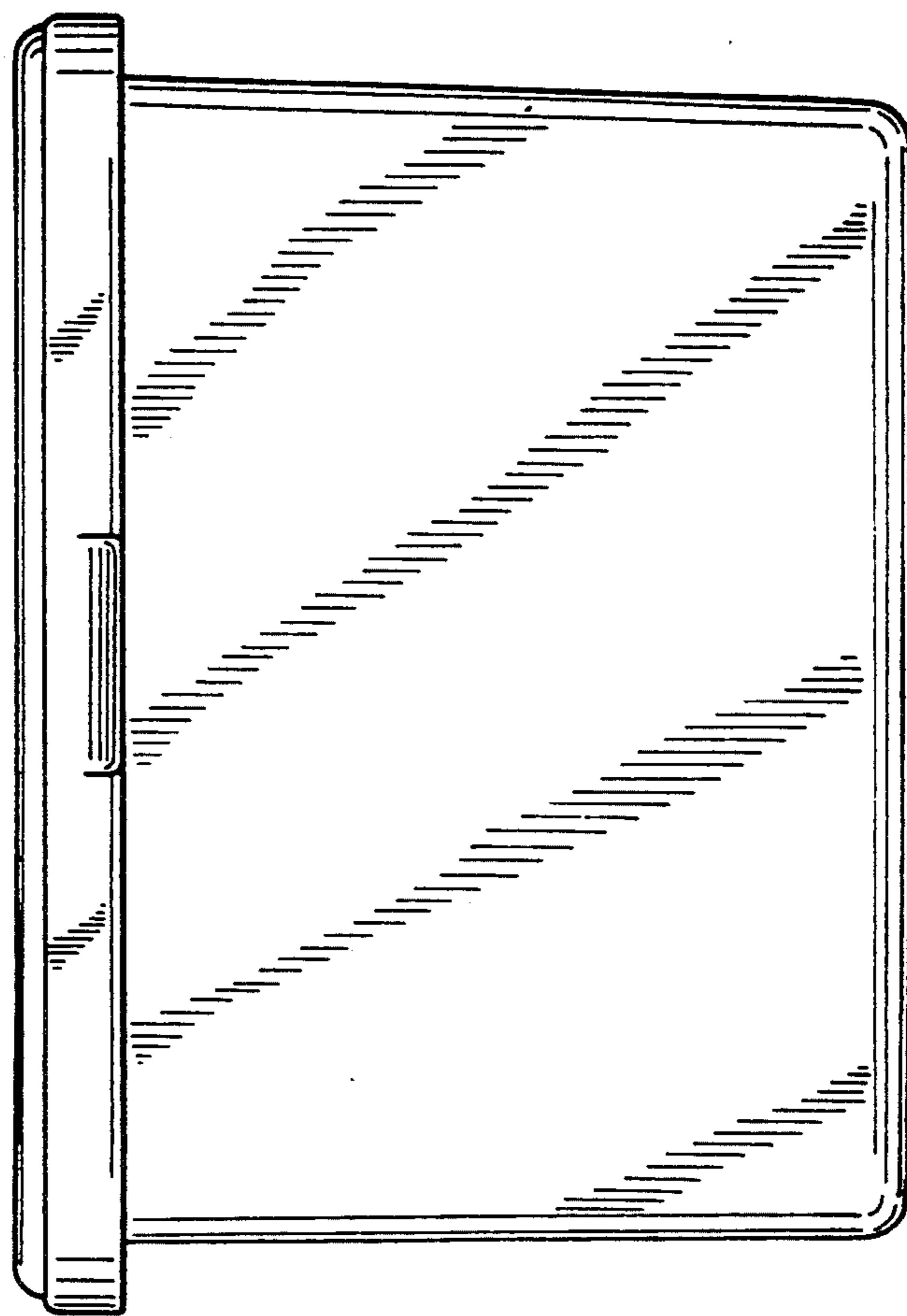


FIG. - 8

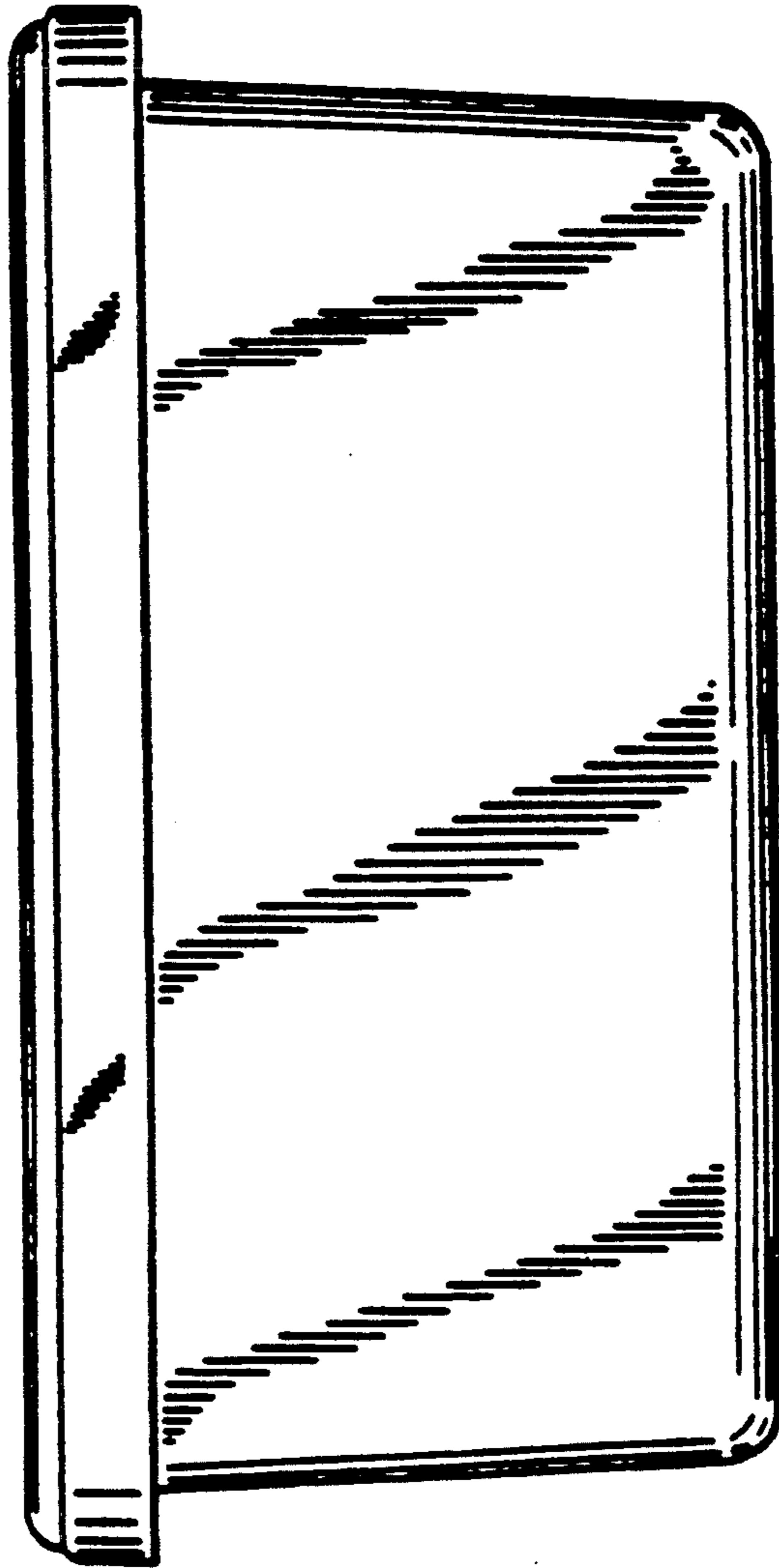


FIG. 10

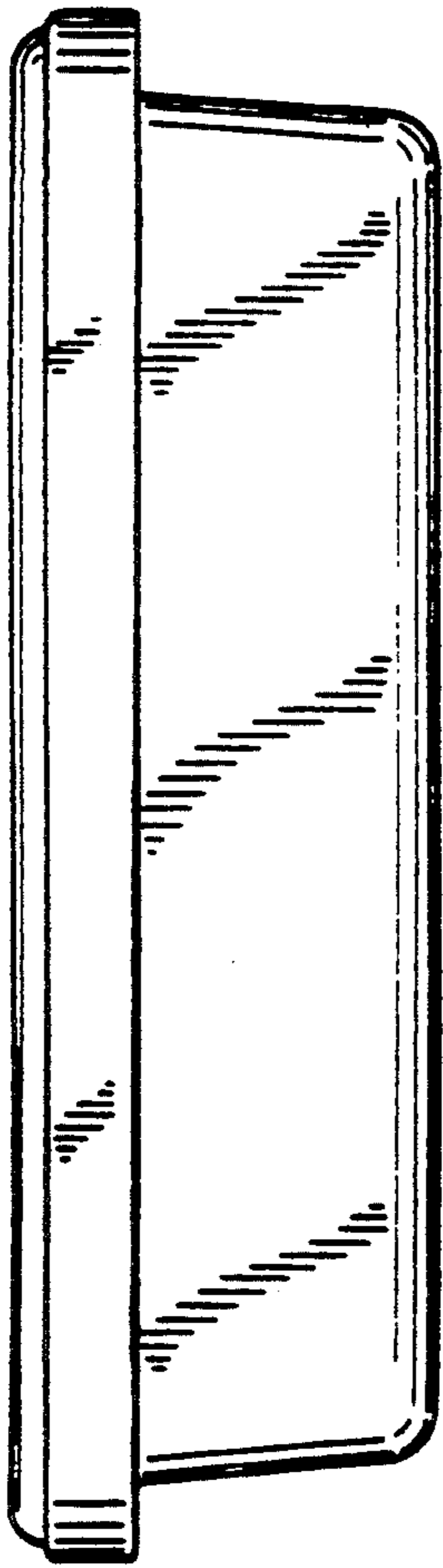


FIG. - 11

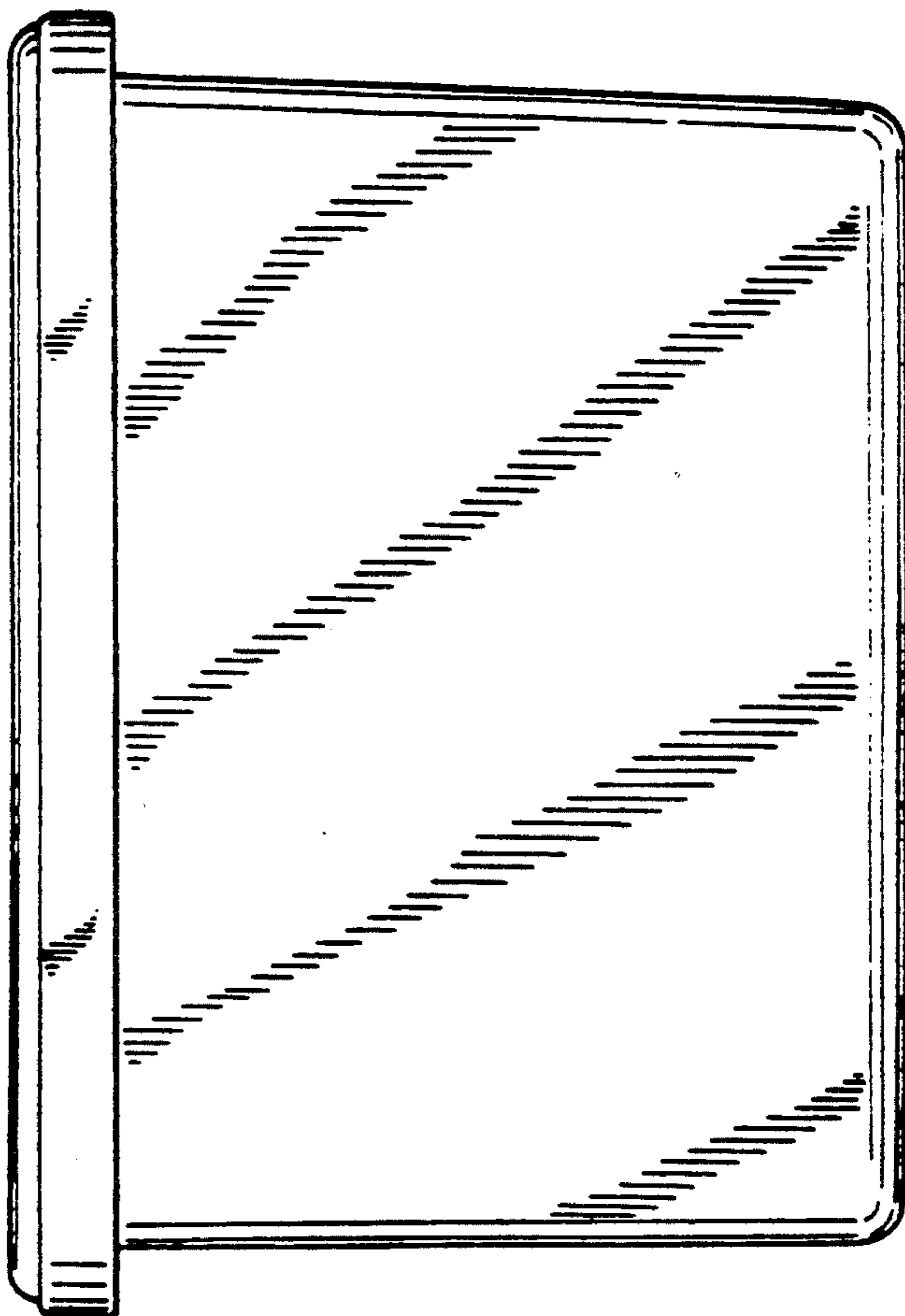


FIG. - 12