



US00D330156S

# United States Patent [19]

[11] Patent Number: **Des. 330,156**

**Dye**

[45] Date of Patent: **\*\* Oct. 13, 1992**

[54] PULLEY  
[75] Inventor: **Jeffrey E. Dye, Houston, Tex.**  
[73] Assignee: **Experiential Therapists, Inc., Houston, Tex.**

1,850,407	3/1932	McKissick	254/405
1,933,235	10/1933	Werner	254/388
2,449,718	9/1948	Rue	254/403
2,597,628	5/1952	Felenchak	254/388
2,875,981	3/1959	Hunter	254/390
3,189,323	6/1965	Kliss	254/388

[\*\*] Term: **14 Years**

*Primary Examiner*—Wallace R. Burke  
*Assistant Examiner*—H. Batyham  
*Attorney, Agent, or Firm*—Gunn, Lee & Miller

[21] Appl. No.: **618,836**

[22] Filed: **Nov. 27, 1990**

[52] U.S. Cl. .... **D8/360**

[57] **CLAIM**

[58] Field of Search ..... 242/155 R; D8/360;  
254/390-391, 388-389, 401-405, 409-412, 415,  
902; D32/60

The ornamental design for a pulley, as shown.

**DESCRIPTION**

[56] **References Cited**

**U.S. PATENT DOCUMENTS**

D. 140,055	1/1945	Little	D8/360 X
D. 184,346	2/1959	Gerland	D8/360
D. 186,279	10/1959	Fox	D8/360
D. 272,126	1/1984	Pennoyer, Jr.	D8/360
1,544,275	6/1925	Sears	254/390

FIG. 1 is a perspective view of a pulley showing my new design;

FIG. 2 is a left side elevational view thereof;

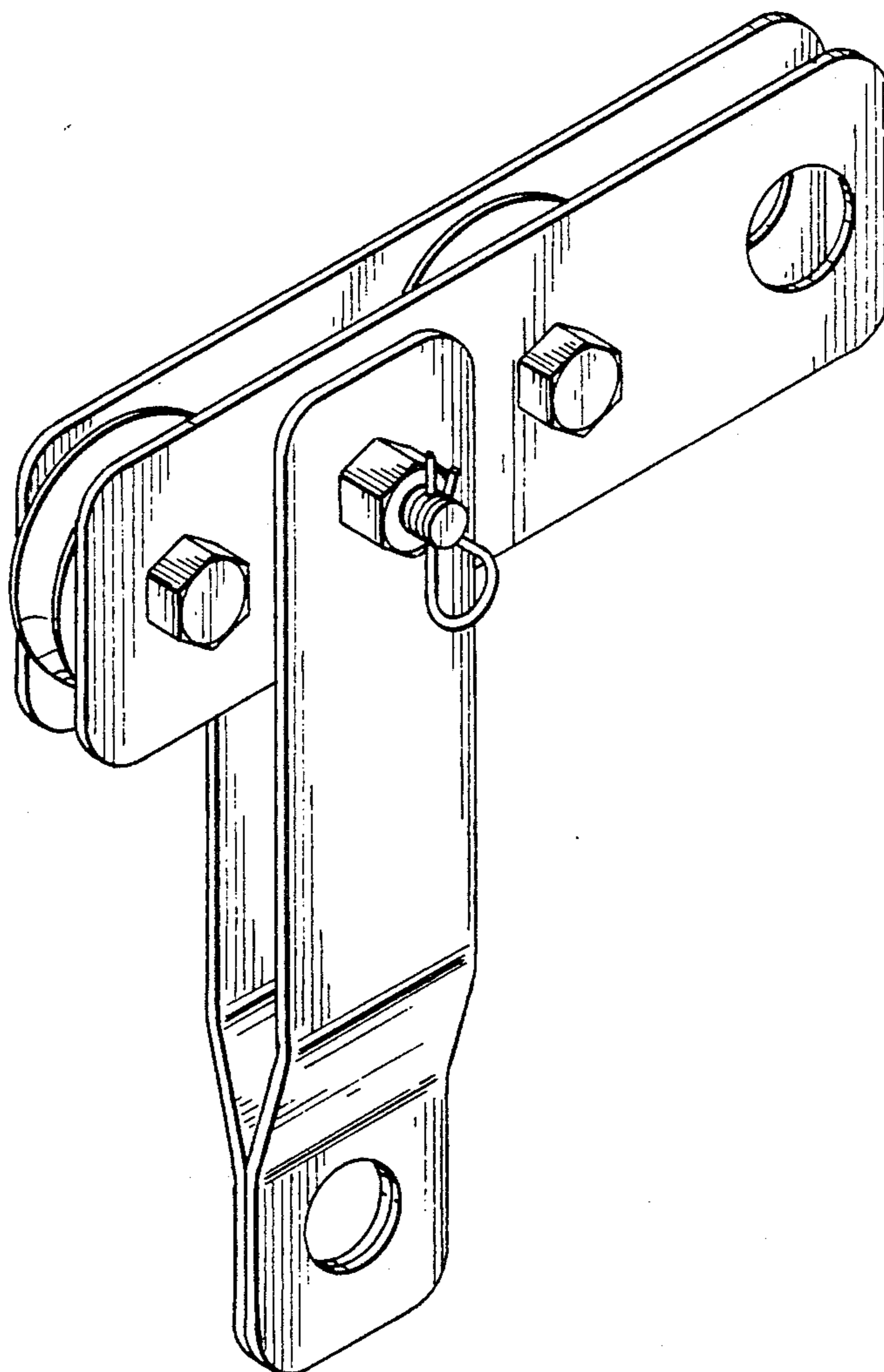
FIG. 3 is a rear elevational view thereof;

FIG. 4 is a right side elevational view thereof;

FIG. 5 is a top plan view thereof;

FIG. 6 is a front elevational view thereof; and,

FIG. 7 is a bottom plan view thereof.



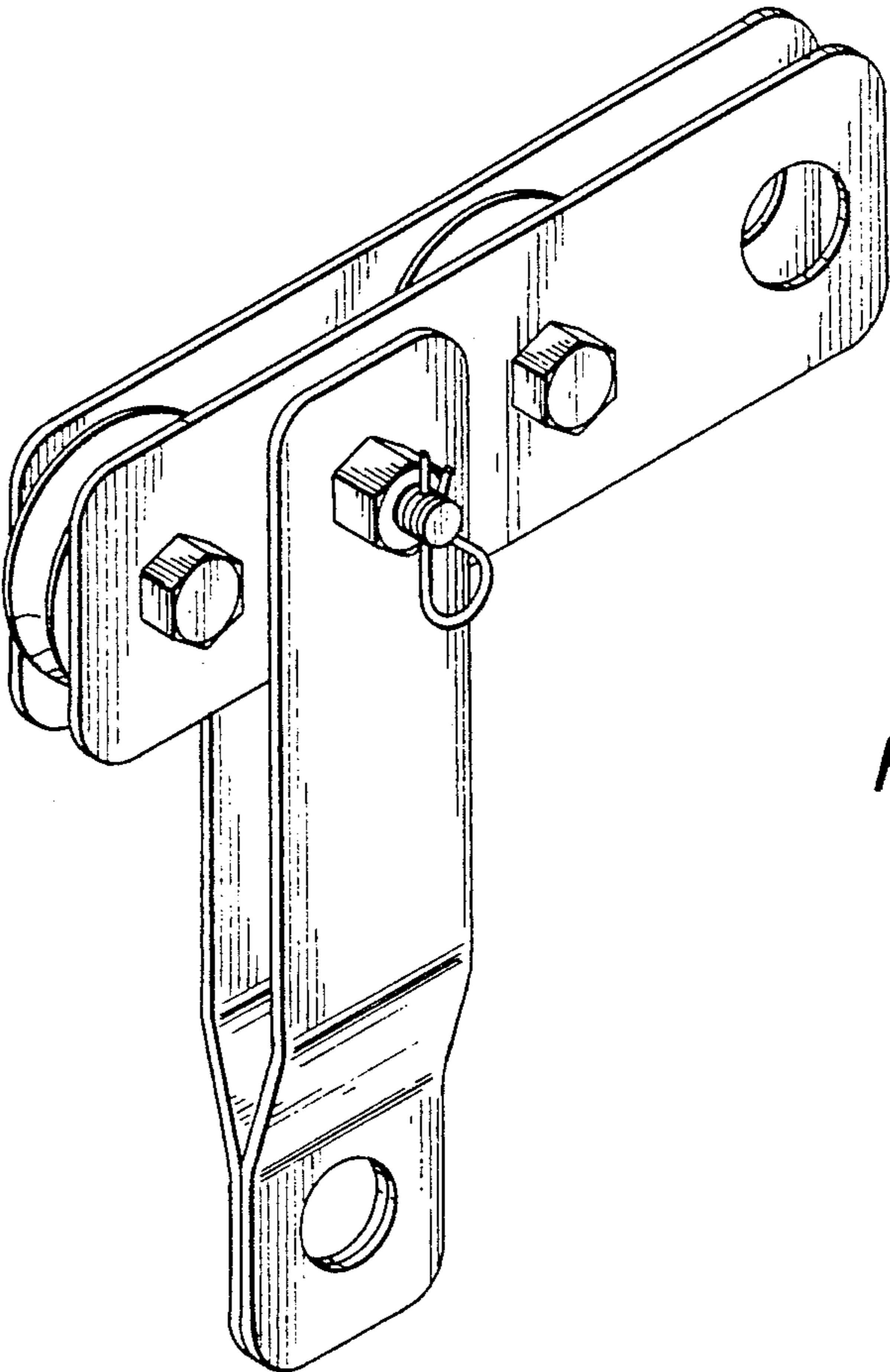


FIG. 1

FIG. 2

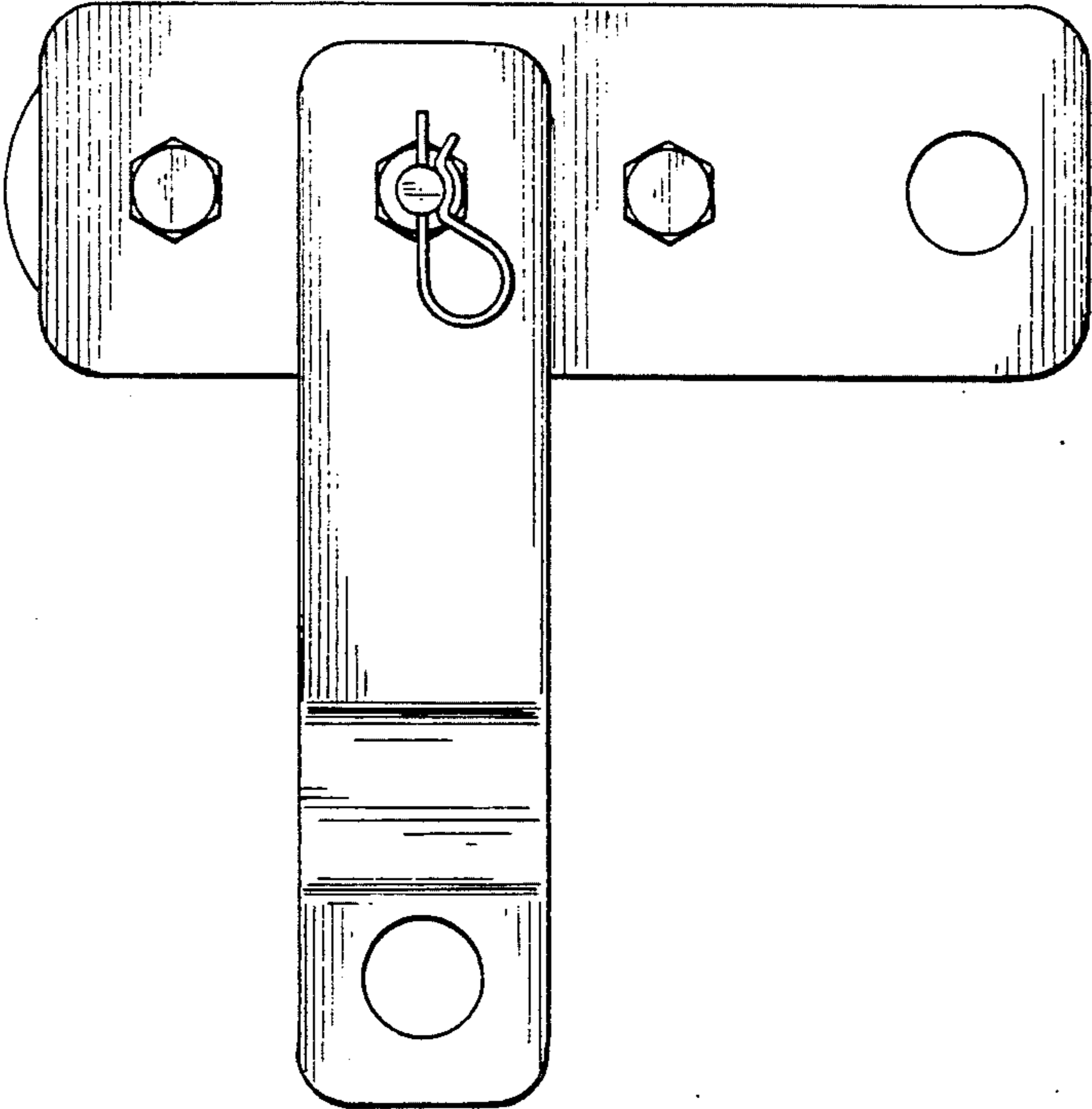
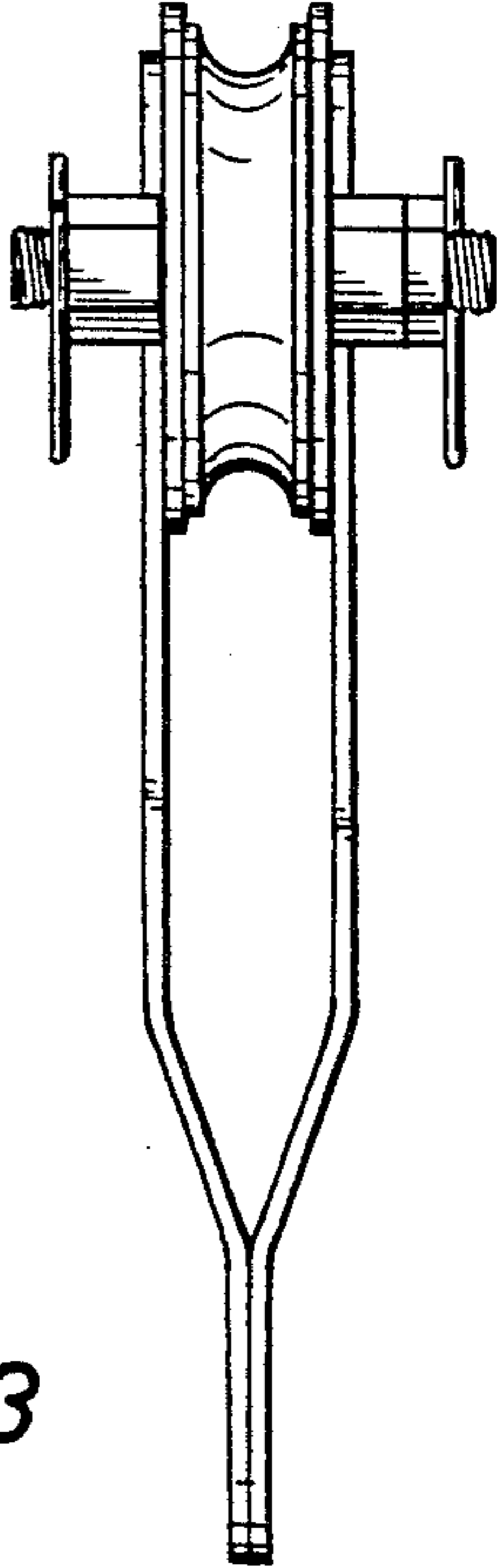


FIG. 3



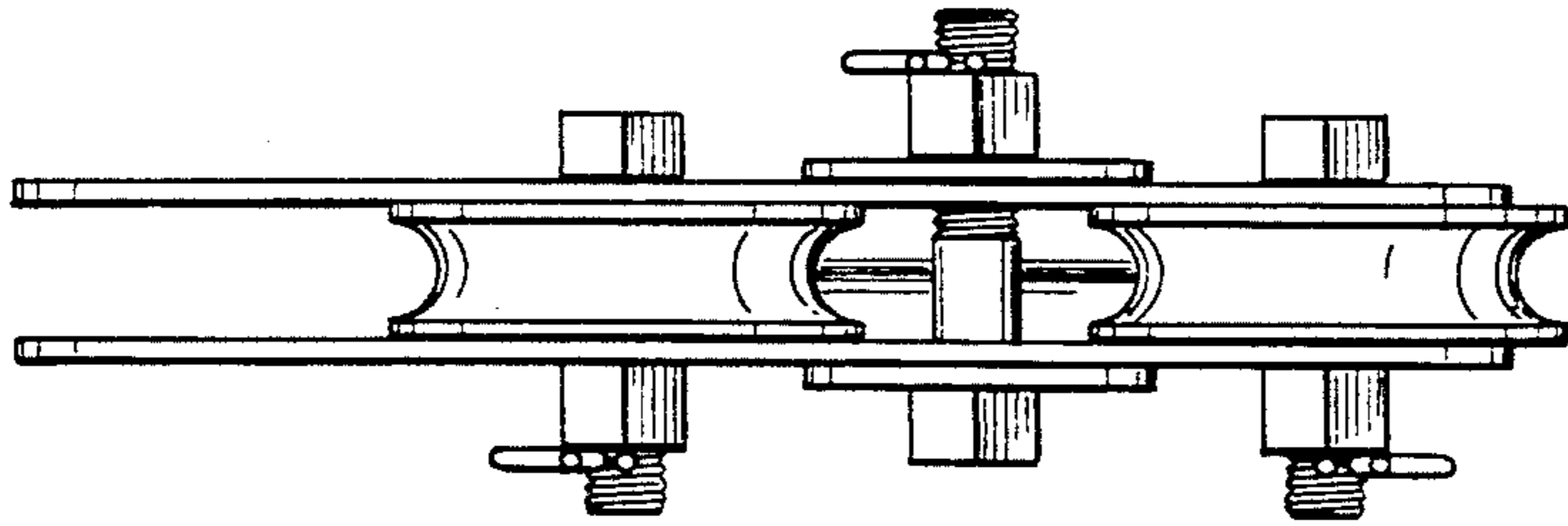


FIG. 5

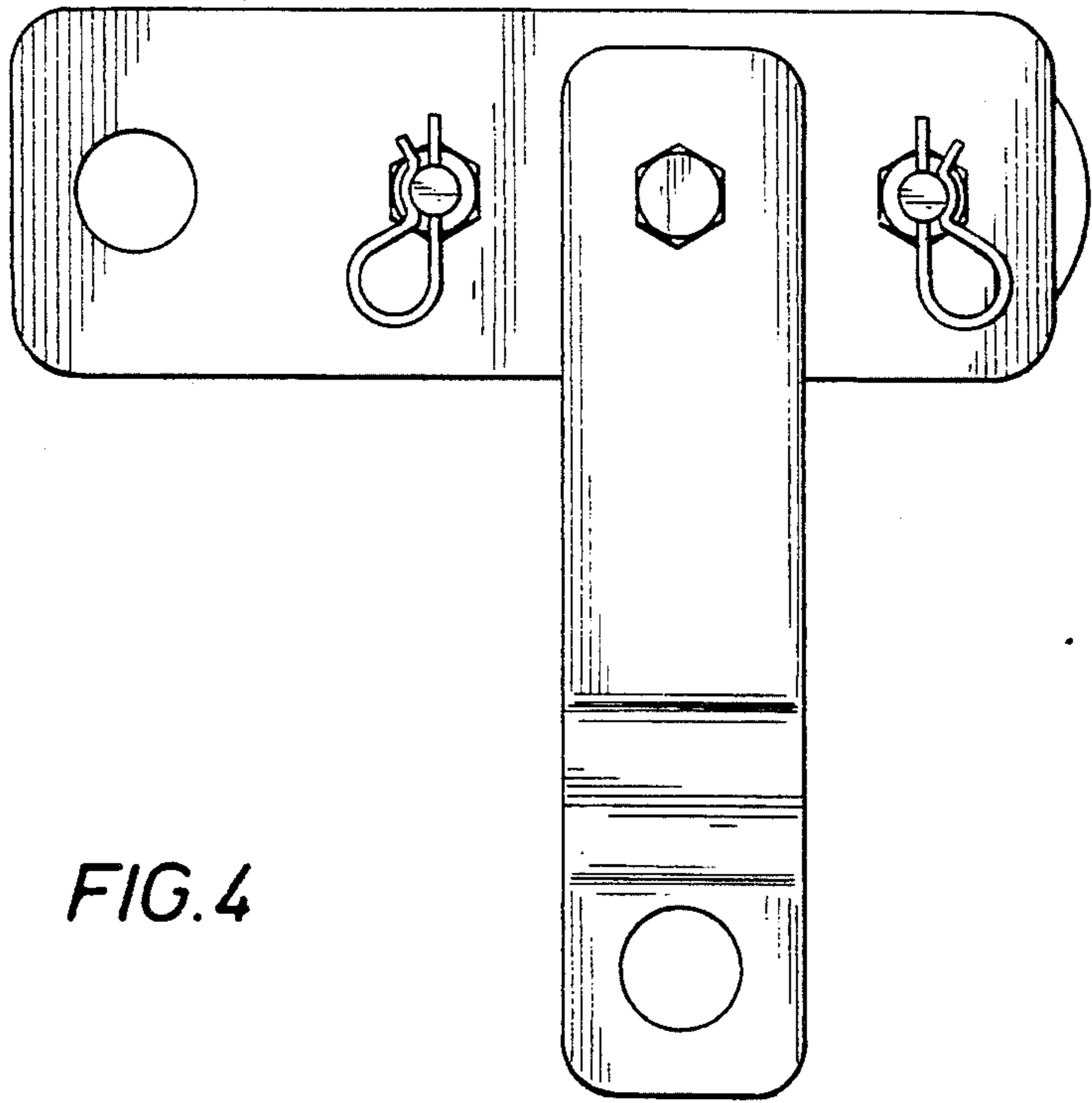


FIG. 4

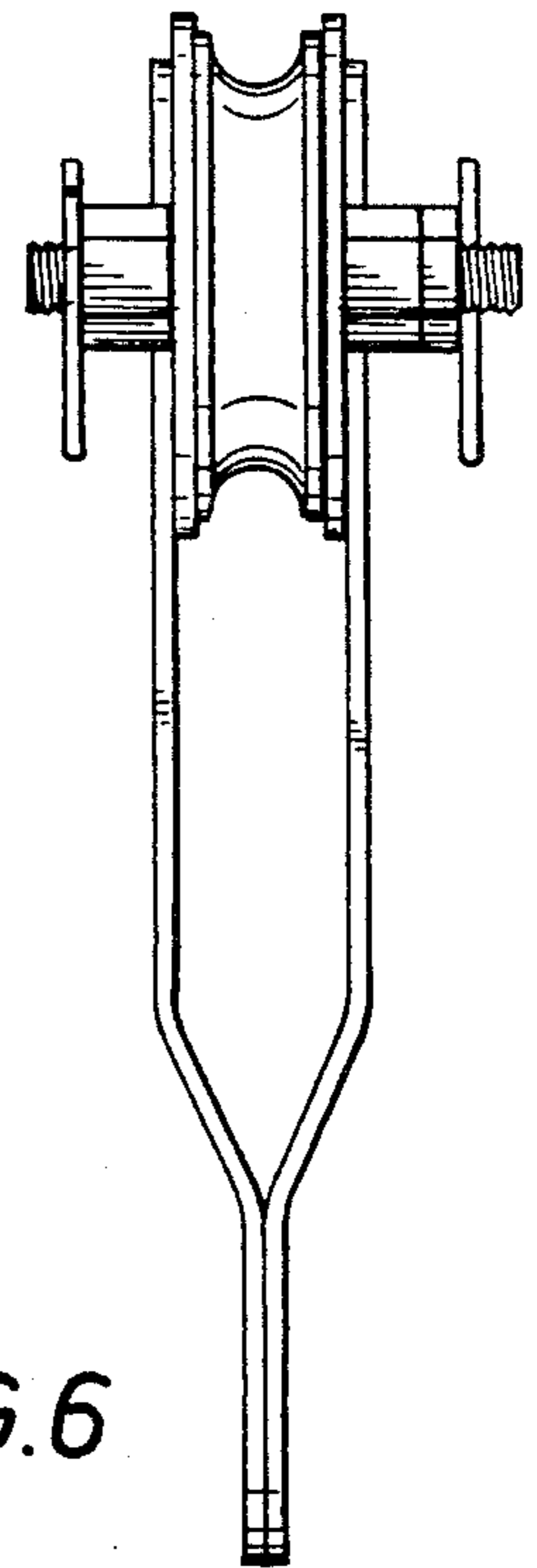


FIG. 6

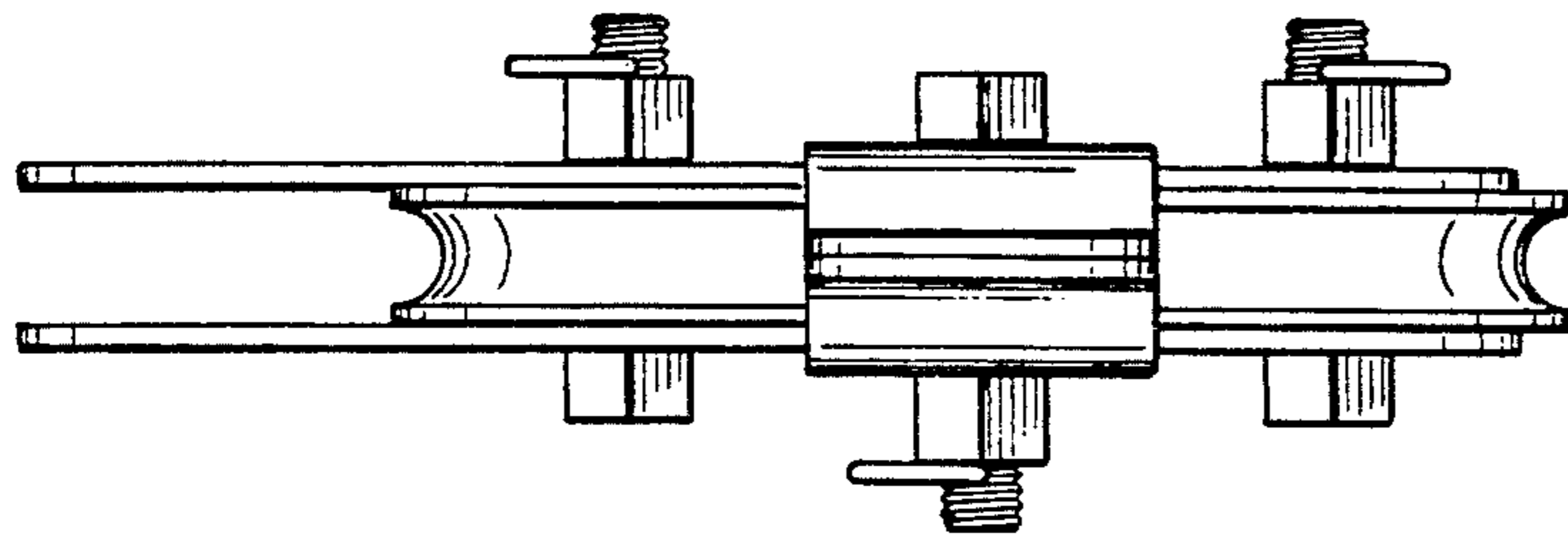


FIG. 7