



US00D330155S

United States Patent [19] Dye

[11] Patent Number: **Des. 330,155**

[45] Date of Patent: **** Oct. 13, 1992**

[54] PULLEY

[75] Inventor: **Jeffrey E. Dye, Houston, Tex.**

[73] Assignee: **Experiential Therapists, Inc.,
Houston, Tex.**

[**] Term: **14 Years**

[21] Appl. No.: **618,818**

[22] Filed: **Nov. 27, 1990**

[52] U.S. Cl. **D8/360**

[58] Field of Search **242/155 R; D8/360;
254/390-391, 388-389, 401-405, 409-412, 415,
902; D32/60**

1,850,407 3/1932 McKissick 254/405
 1,933,235 10/1933 Werner 254/388
 2,449,718 9/1948 Rue 254/405
 2,597,628 5/1952 Felenchak 254/388
 2,875,981 3/1959 Hunter 254/390
 3,189,323 6/1965 Kliss 254/388

Primary Examiner—Wallace R. Burke
Assistant Examiner—H. Baynham
Attorney, Agent, or Firm—Gunn, Lee & Miller

[57] CLAIM

The ornamental design for a pulley, as shown.

DESCRIPTION

FIG. 1 is a perspective view of a pulley showing my new design;
 FIG. 2 is a left side elevational view thereof;
 FIG. 3 is a rear elevational view thereof;
 FIG. 4 is a right side elevational view thereof;
 FIG. 5 is a top plan view thereof;
 FIG. 6 is a front elevational view thereof; and,
 FIG. 7 is a bottom plan view thereof.

[56] **References Cited**
U.S. PATENT DOCUMENTS

D. 140,055	1/1945	Little	D8/360 X
D. 184,346	2/1959	Gerland	D8/360
D. 186,279	10/1959	Fox	D8/360
D. 272,126	1/1984	Pennoyer, Jr.	D8/360
1,544,275	6/1925	Sears	254/390

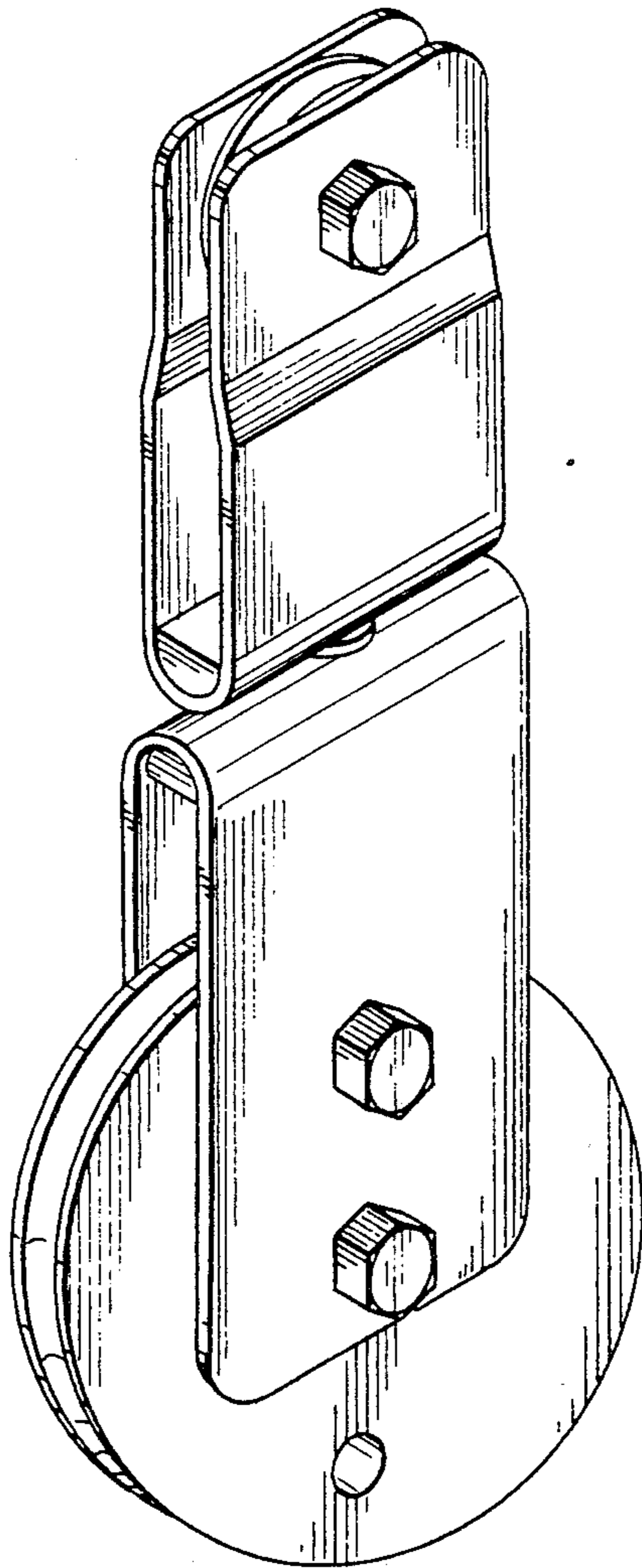


FIG.1

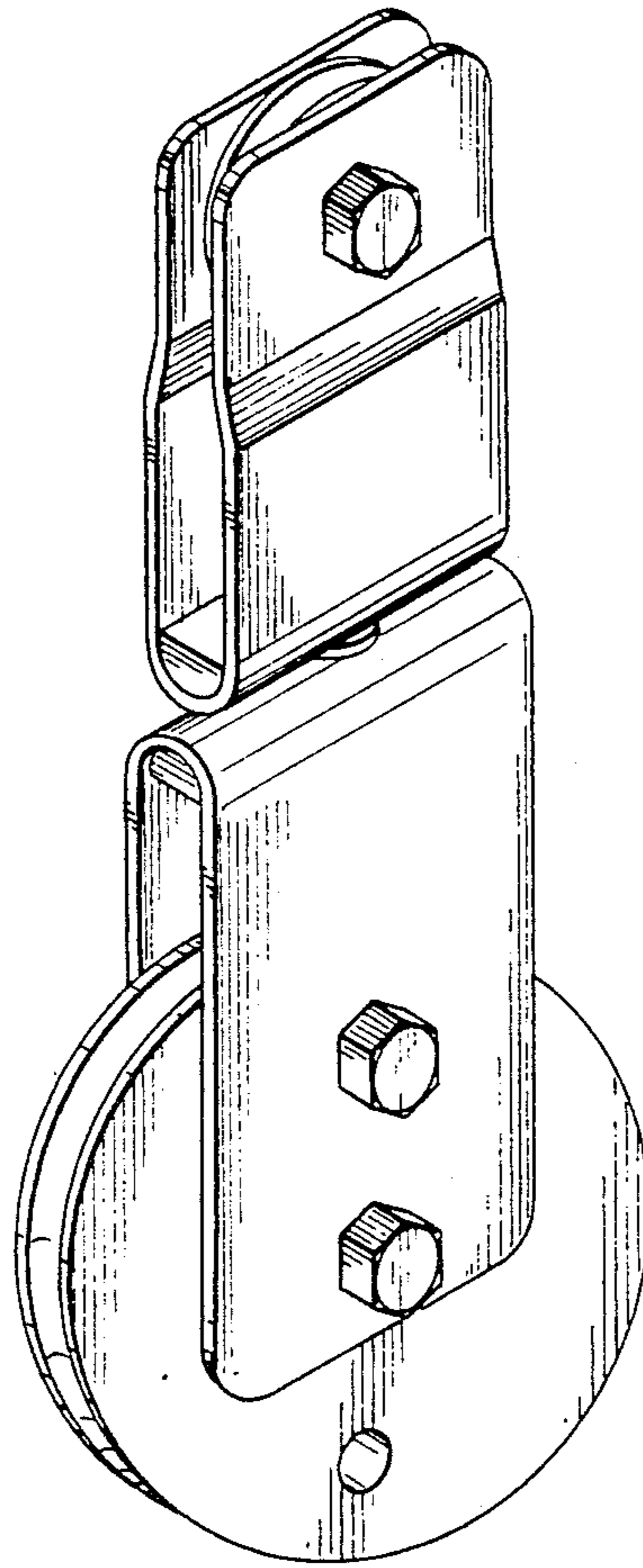


FIG.2

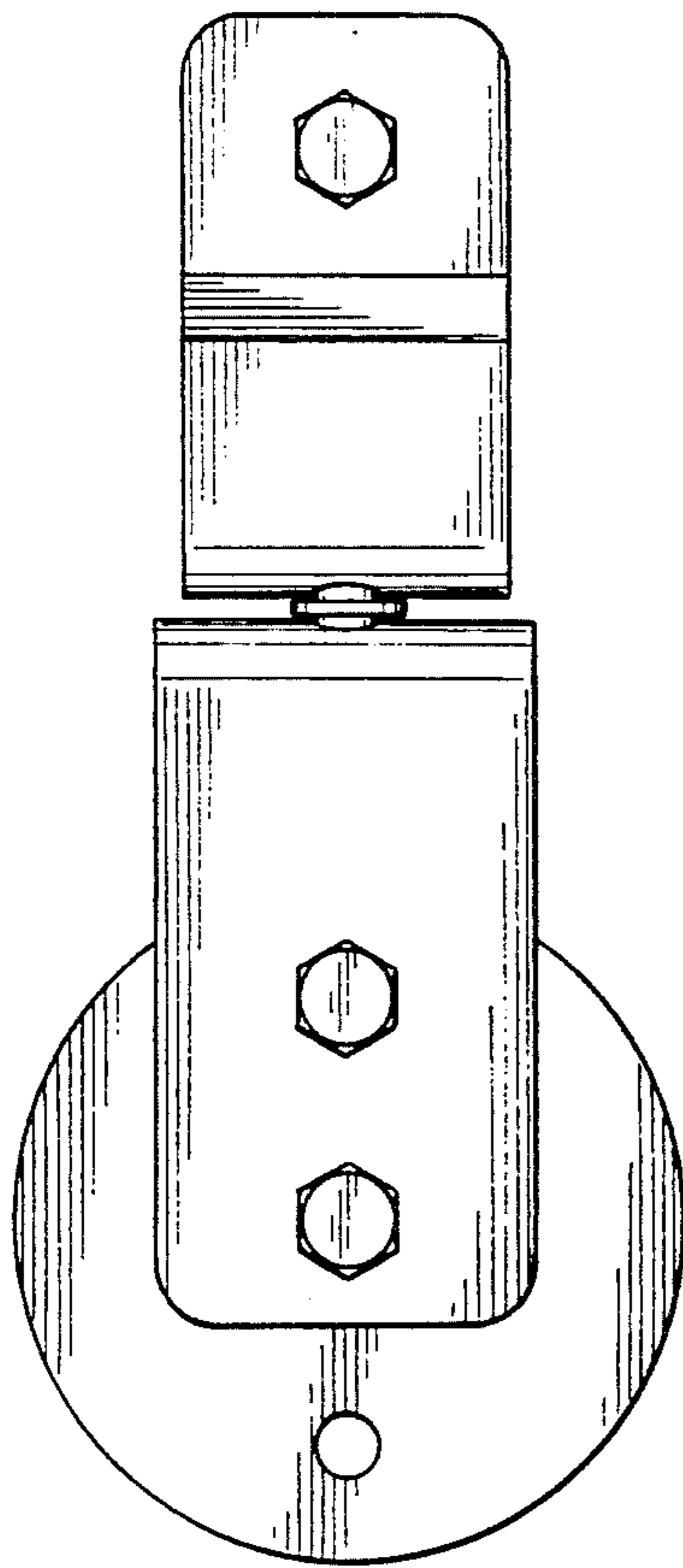
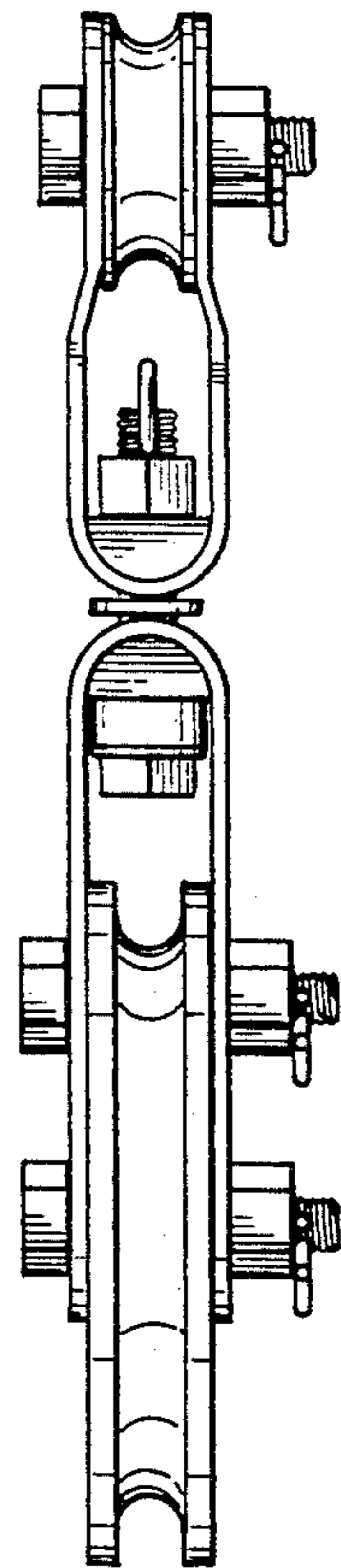


FIG.3



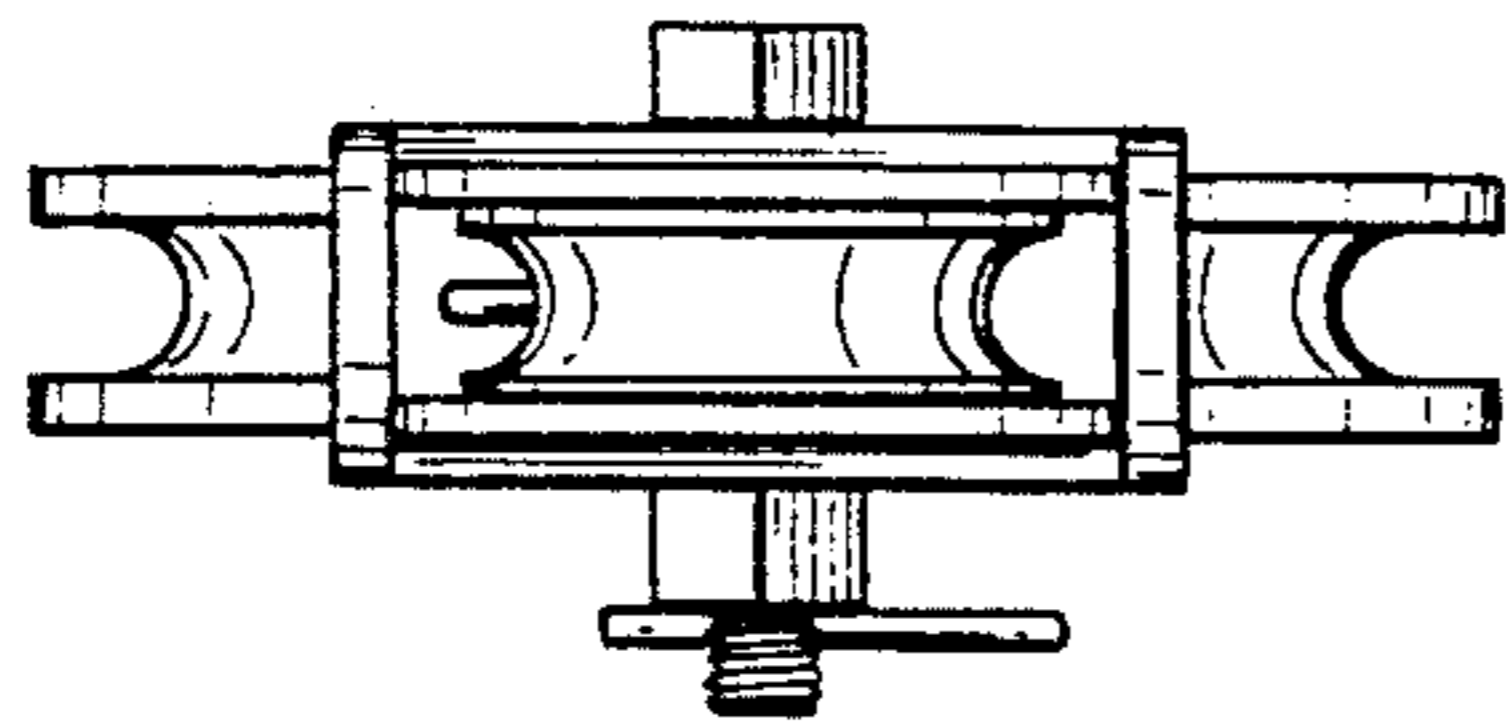


FIG. 5

FIG. 4

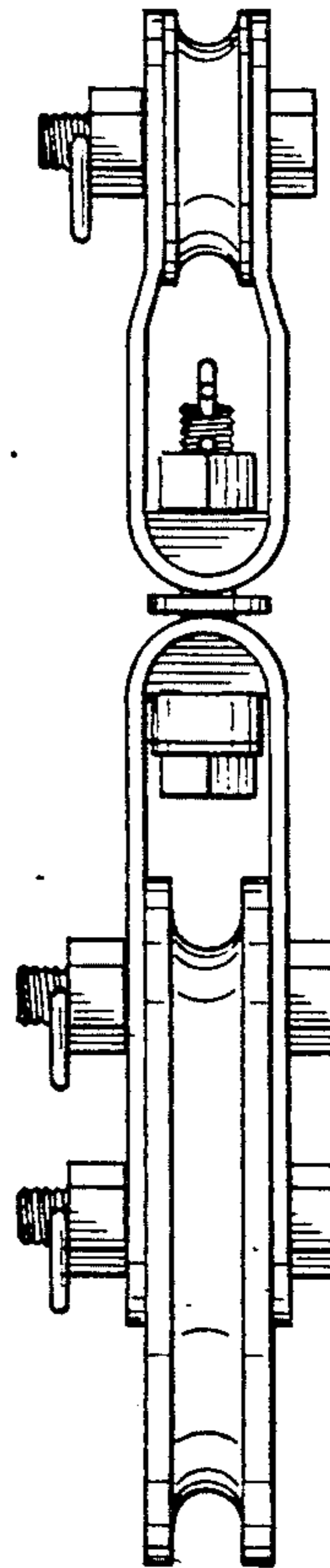
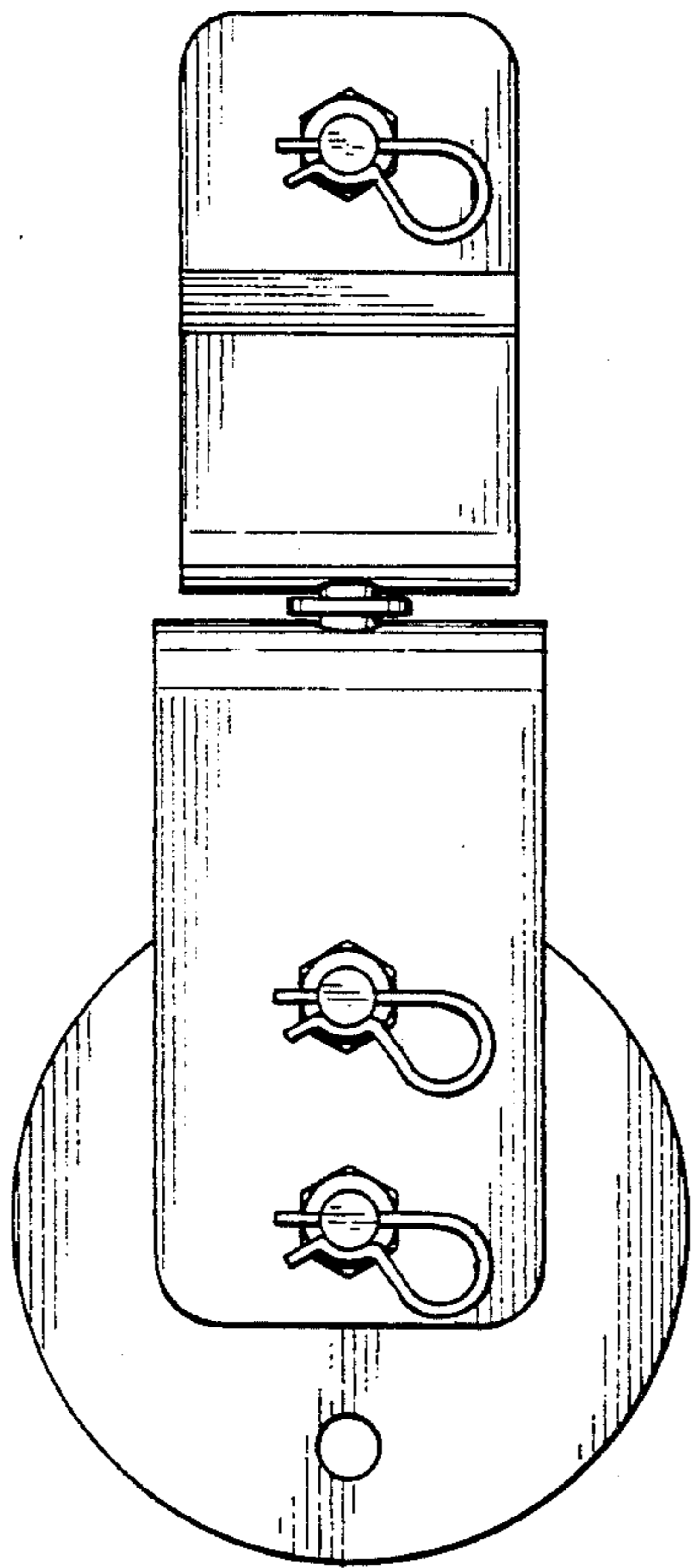


FIG. 6

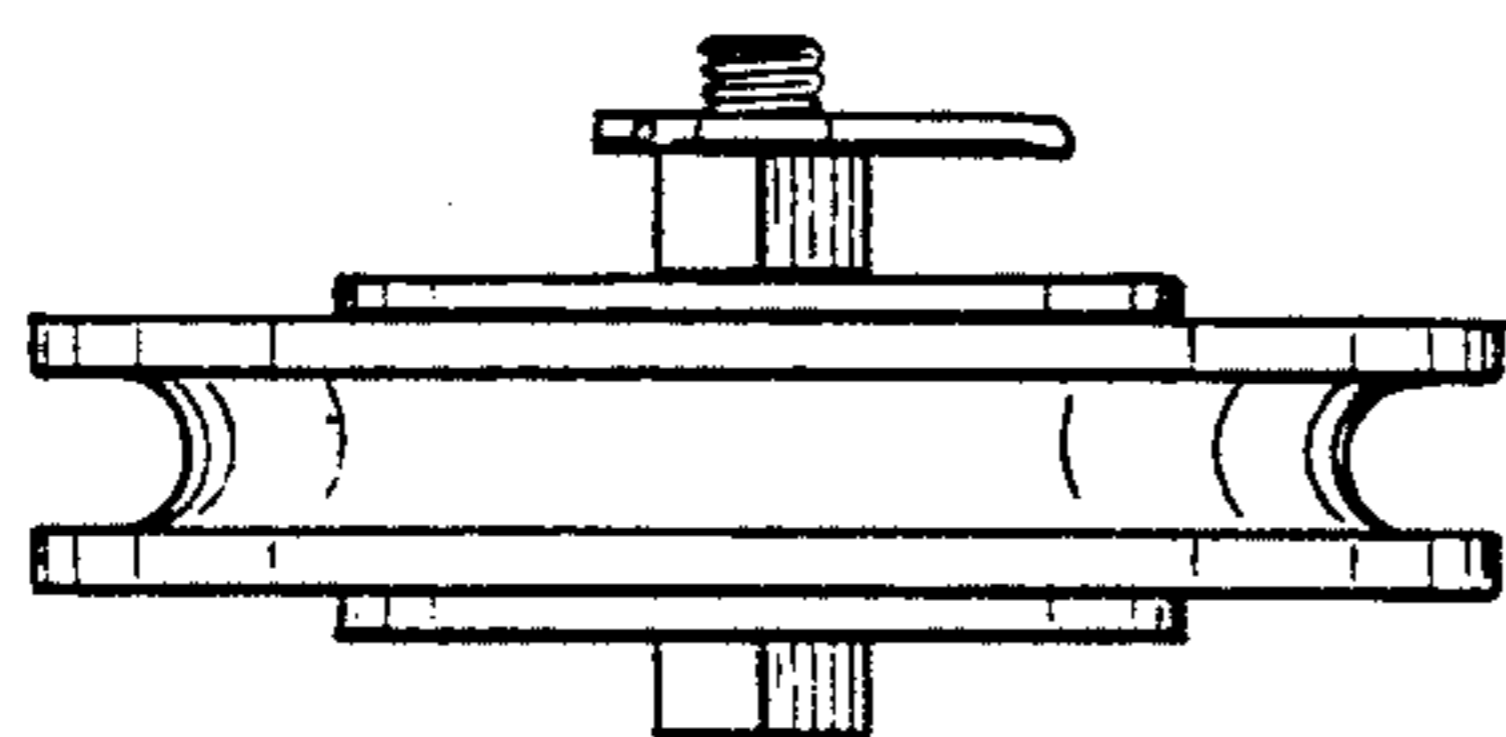


FIG. 7