



US00D330154S

United States Patent [19]

[11] Patent Number: **Des. 330,154**

Wagner

[45] Date of Patent: **** Oct. 13, 1992**

[54] ALTERNATOR BRACKET

[56] References Cited

[75] Inventor: **Thomas E. Wagner, St. Louis County, Mo.**

U.S. PATENT DOCUMENTS

D. 261,654 11/1981 Feuling D15/5
 D. 275,106 8/1984 Hart D15/5
 D. 283,896 5/1986 Evans et al. D15/5

[73] Assignee: **Wagner Products Company, Kirkwood, Mo.**

Primary Examiner—A. Hugo Word
Assistant Examiner—R. Seifert
Attorney, Agent, or Firm—Paul M. Denk

[**] Term: **14 Years**

[57] CLAIM

The ornamental design for an alternator bracket, as shown and described.

[21] Appl. No.: **495,923**

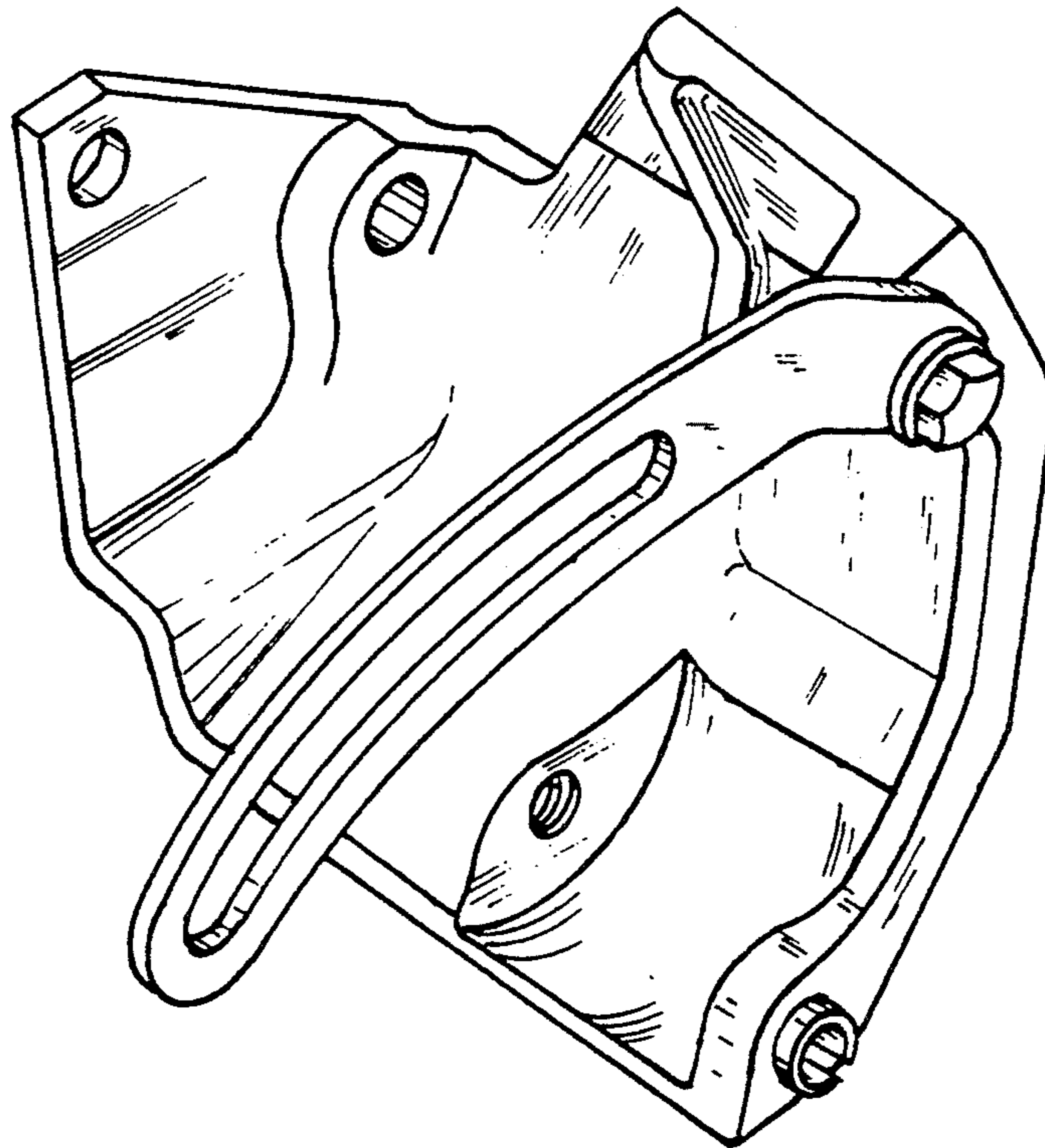
DESCRIPTION

[22] Filed: **Mar. 19, 1990**

FIG. 1 is a perspective view of an alternator bracket showing my new design;
 FIG. 2 is a front elevational view;
 FIG. 3 is a rear elevational view;
 FIG. 4 is a left side elevational view;
 FIG. 5 is a right side elevational view;
 FIG. 6 is a top plan view; and,
 FIG. 7 is a bottom plan view.

[52] U.S. Cl. **D8/354; D8/364; D15/5**

[58] Field of Search **D15/1-5; 123/198 R; 248/676; 42/224, 227; D8/349, 354, 364, 382**



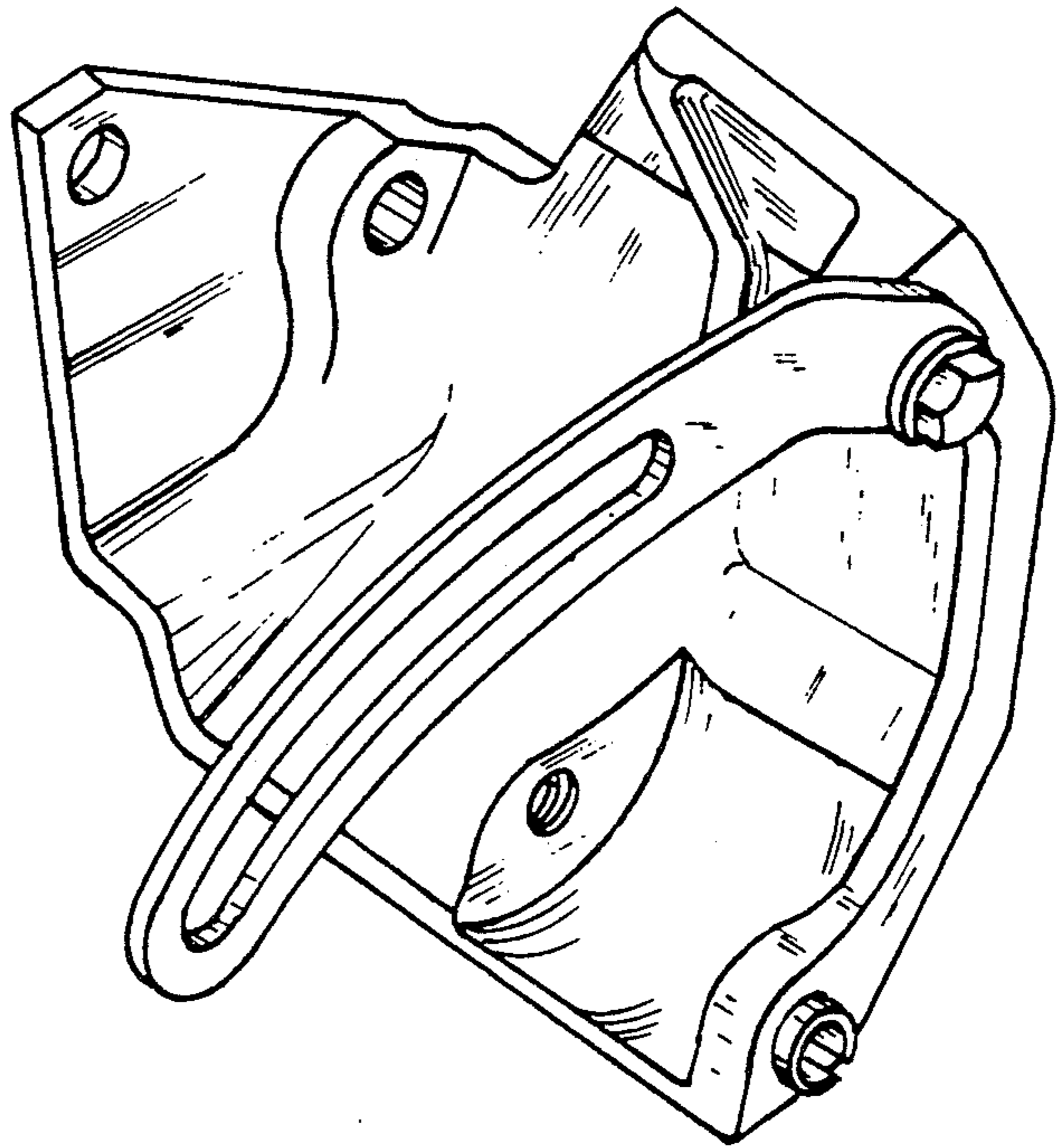


FIG. 1.

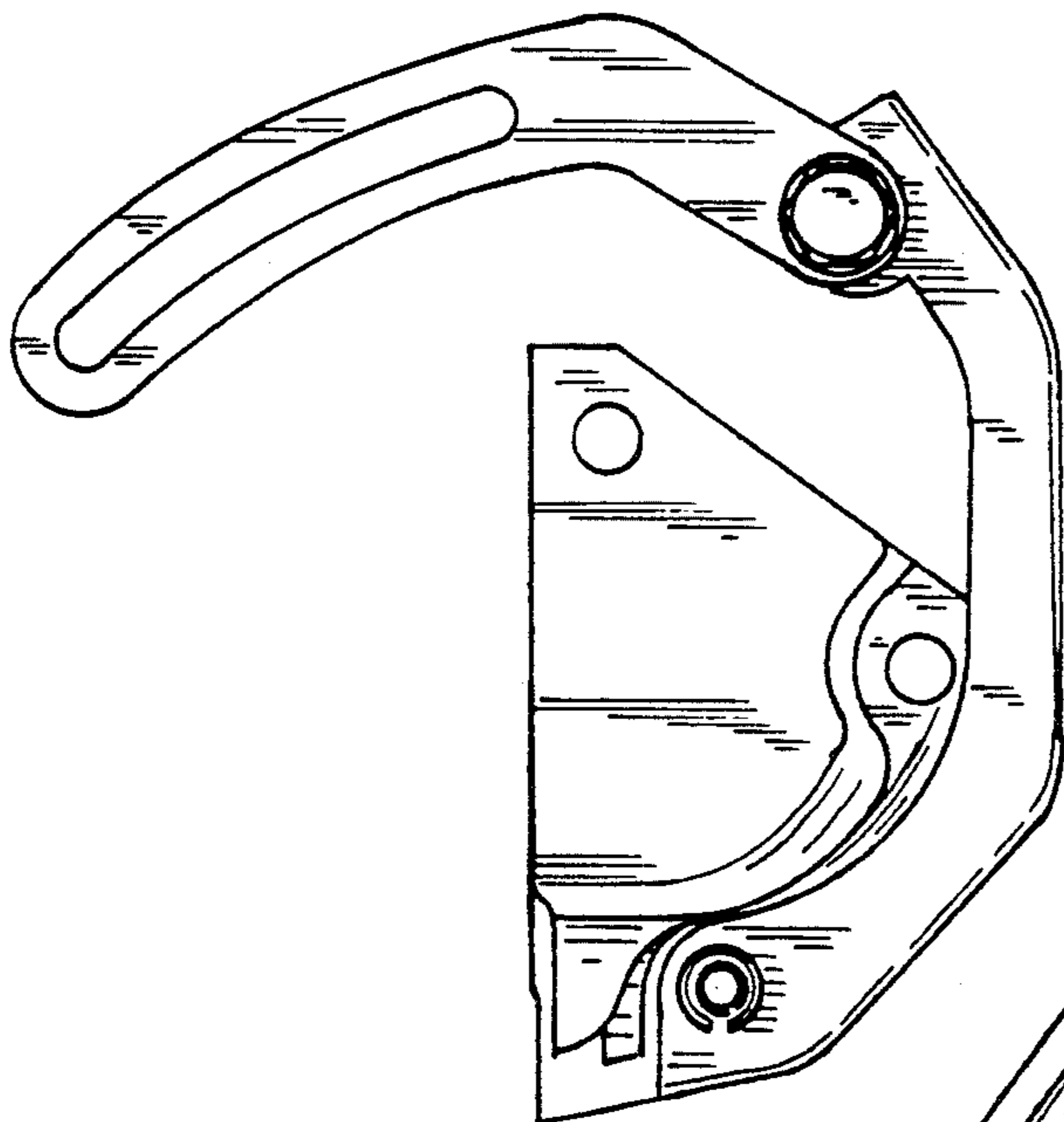


FIG. 2.

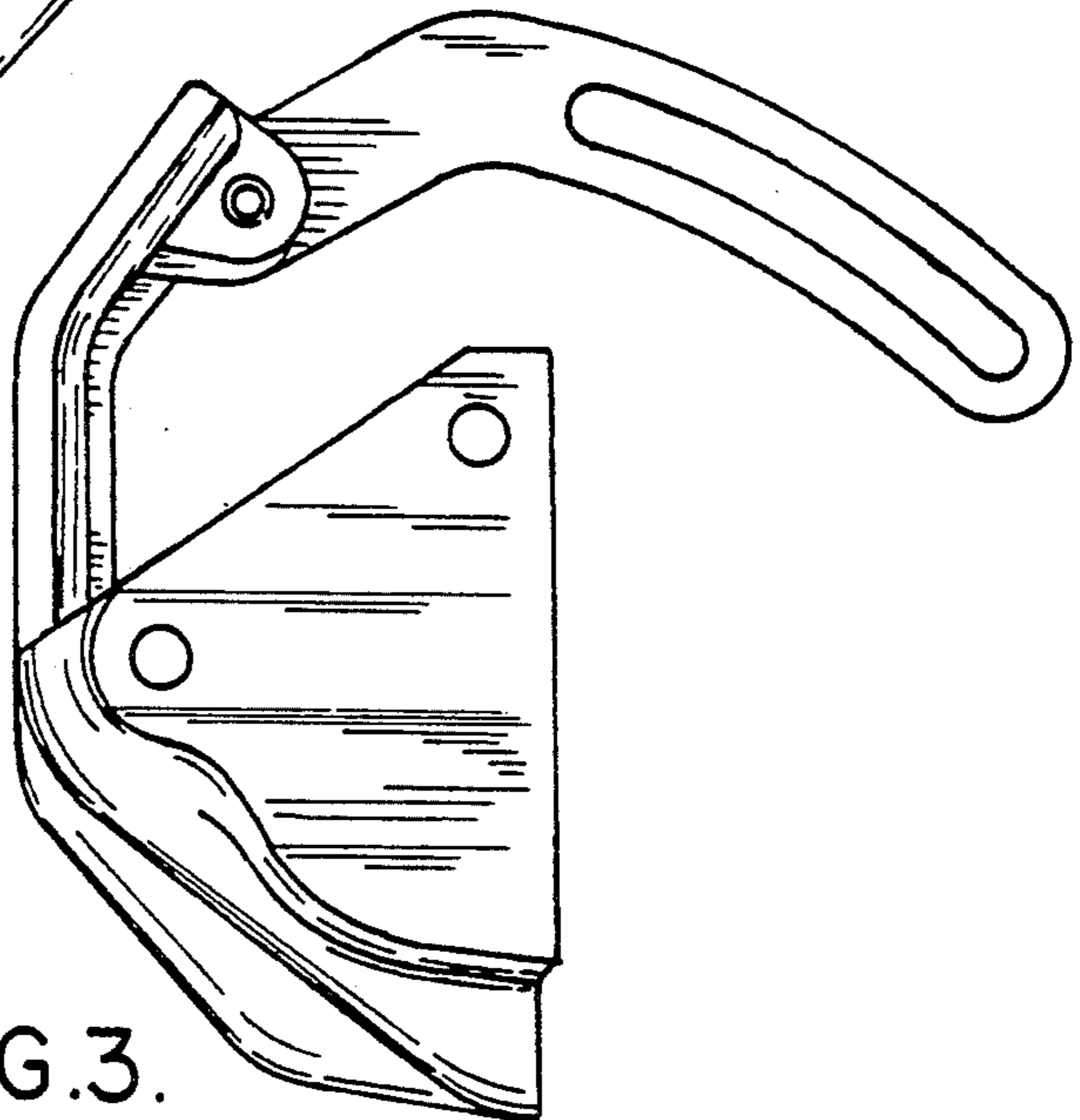


FIG. 3.

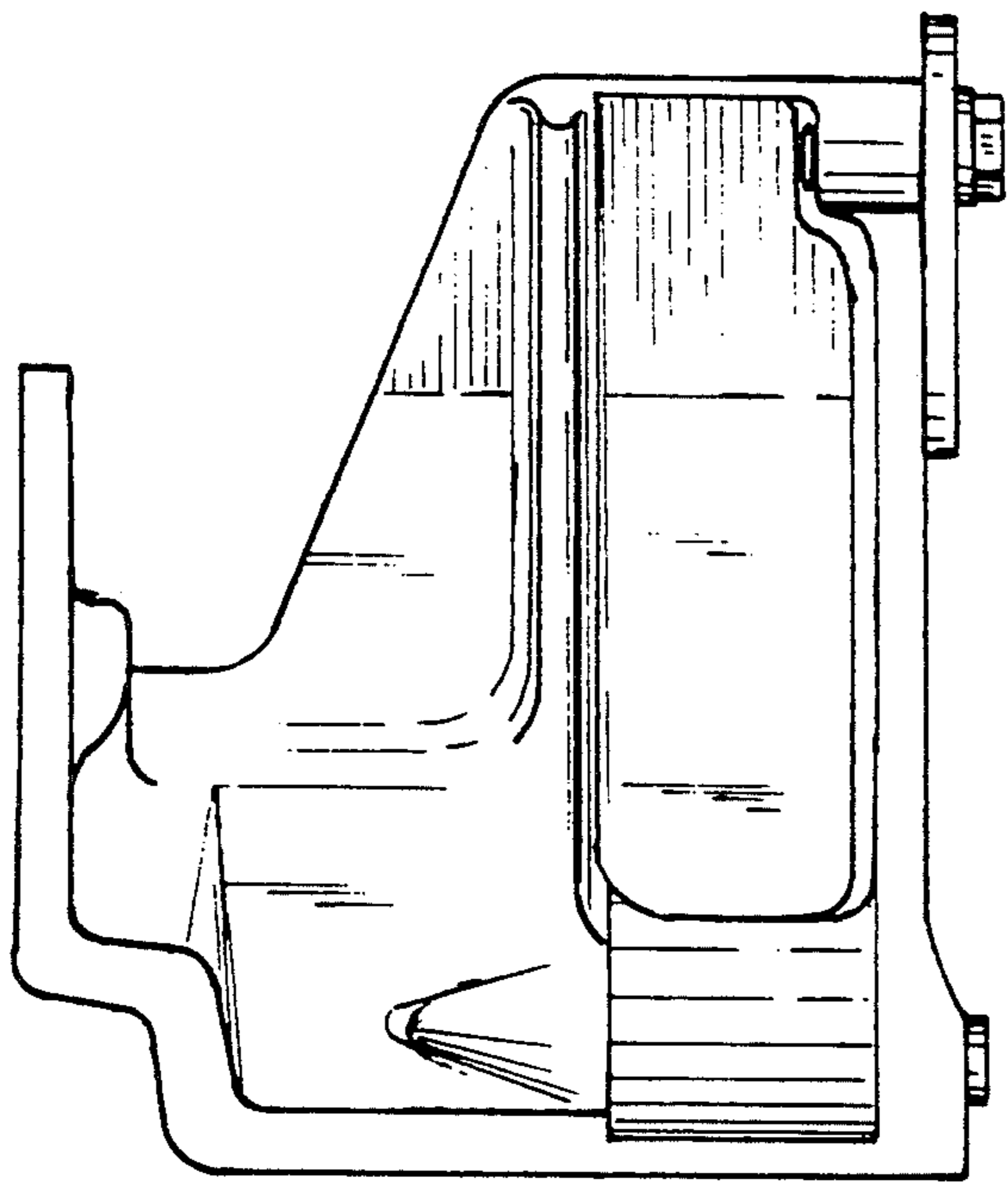


FIG. 4.

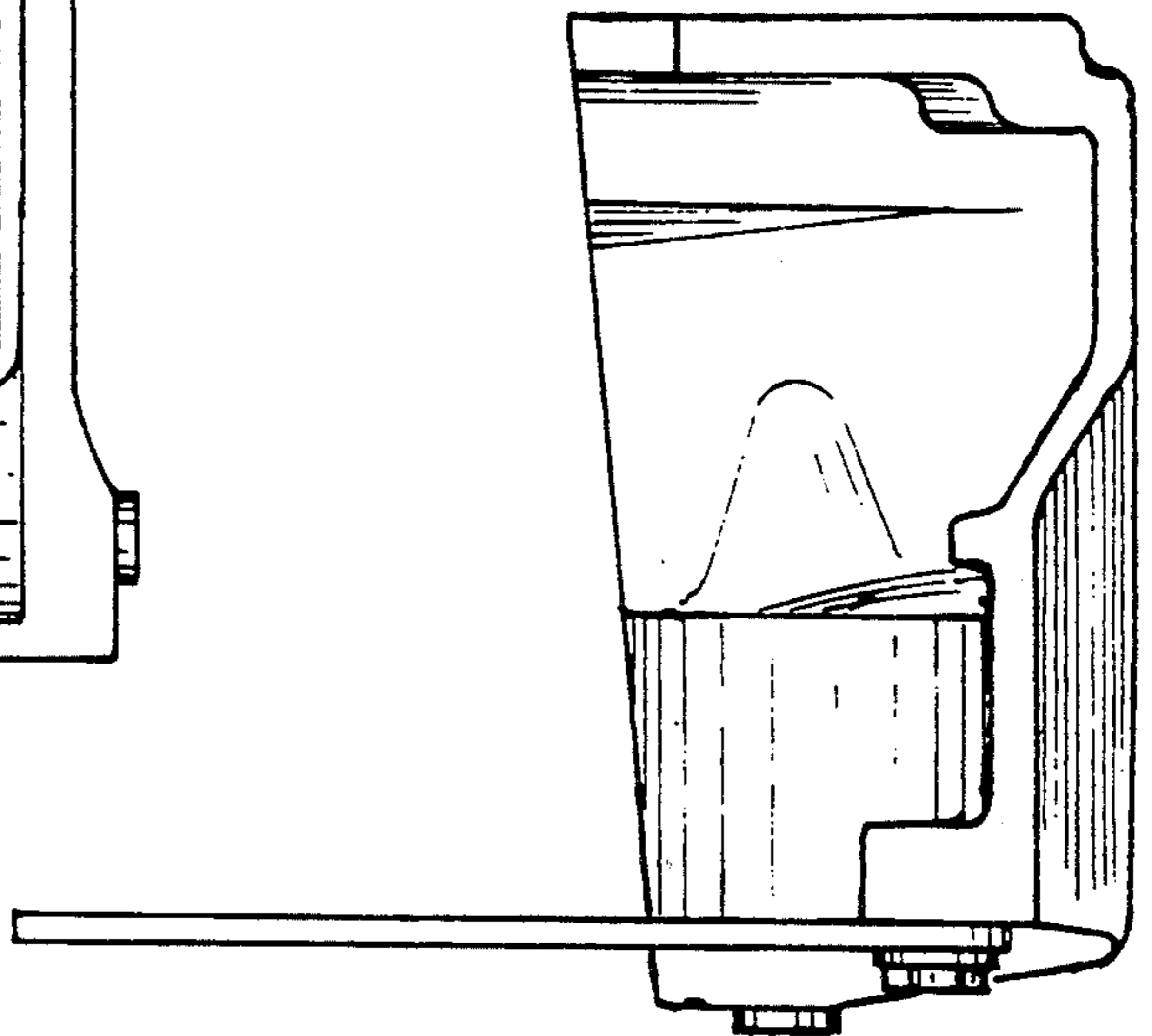


FIG. 6.

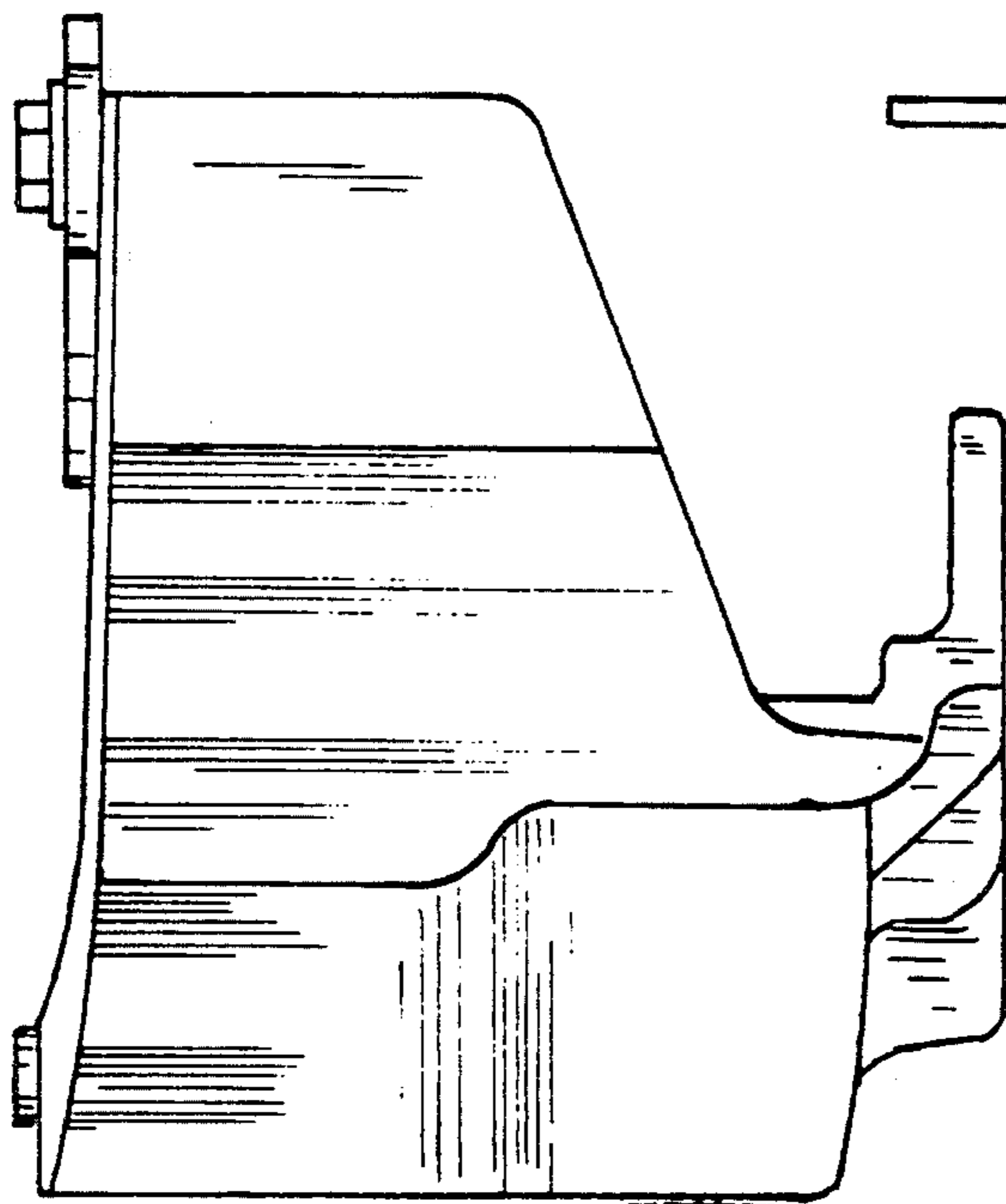


FIG. 5.

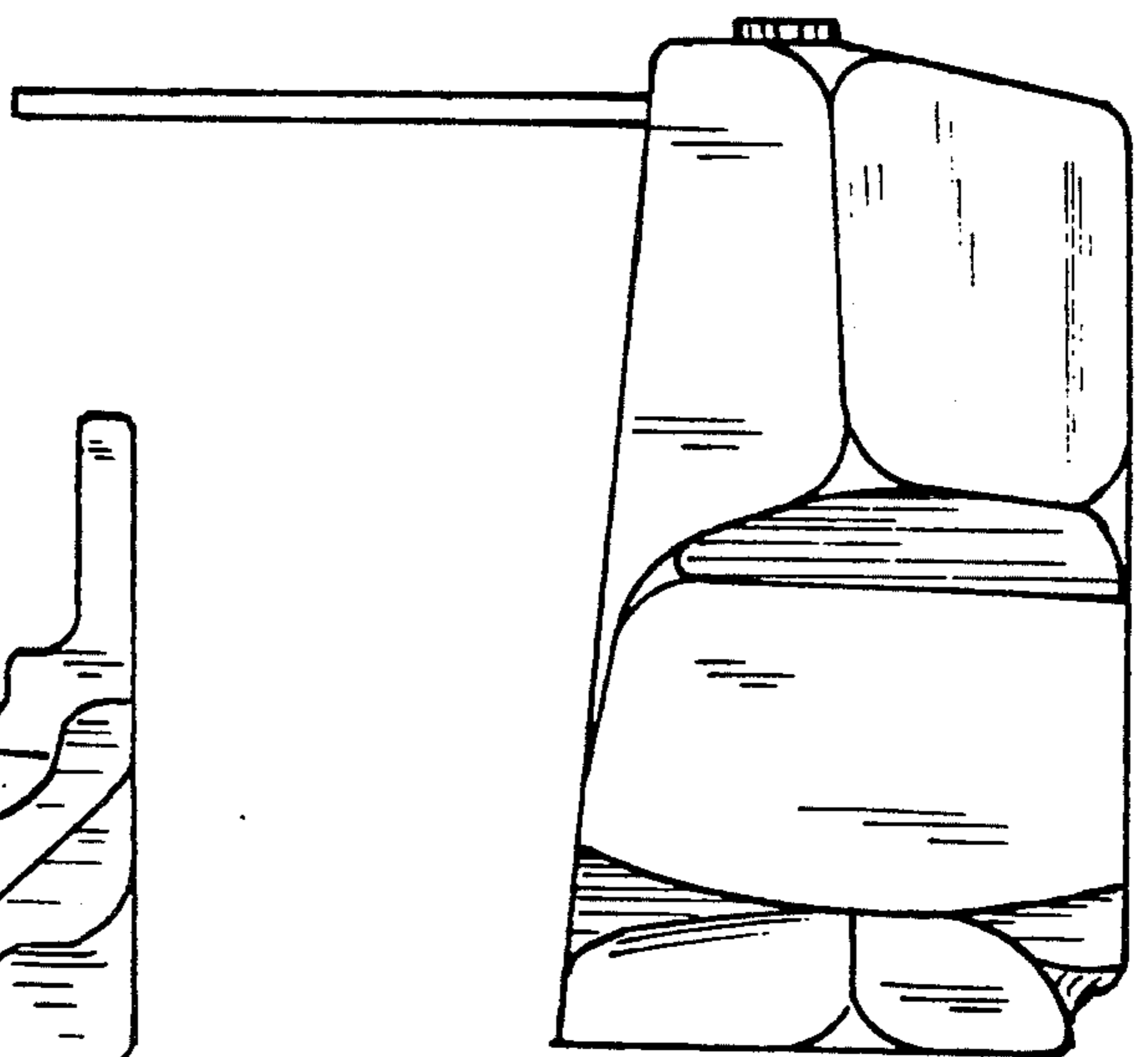


FIG. 7.