



US00D330153S

# United States Patent [19]

[11] Patent Number: **Des. 330,153**

Jakubas

[45] Date of Patent: **\*\* Oct. 13, 1992**

[54] **LOCKABLE DRUMBOLT FOR AN OPEN HEAD DRUM**

*Primary Examiner*—Brian N. Vinson  
*Attorney, Agent, or Firm*—Siegmar Silber

[75] Inventor: **Gary P. Jakubas, Rutherford, N.J.**

[57] **CLAIM**

[73] Assignee: **Taurus Precision, Inc., Totowa, N.J.**

The ornamental design for a lockable drumbolt for an open head drum, as shown and described.

[\*\*] Term: **14 Years**

**DESCRIPTION**

[21] Appl. No.: **487,221**

FIG. 1 is a top, front, and right side perspective view of a lockable drumbolt for an open head drum showing my new design, the broken-line disclosure of a padlock and fragment of a drum closure ring being for illustrative purposes only and forming no part of the claimed design;

[22] Filed: **Mar. 1, 1990**

[52] U.S. Cl. .... **D8/343**

[58] Field of Search ..... **D8/330-331, D8/346, 343; 292/137, 155, 292-293, 300-301, DIG. 12**

FIG. 2 is a top, front, and right side perspective view thereof, showing the sliding barrel in an operative position;

[56] **References Cited**

**U.S. PATENT DOCUMENTS**

- D. 236,798 9/1975 Hall ..... D8/396 X
- D. 255,772 7/1980 Johnson et al. .... D8/331
- D. 272,718 2/1984 Knudson ..... D8/387
- D. 283,675 5/1986 Fogel et al. .... D8/396
- 4,924,973 5/1990 Miller ..... 70/58 X

FIG. 3 is an enlarged front elevational view thereof, showing the sliding barrel in an operative position, the rear being a mirror image of that shown;

**FOREIGN PATENT DOCUMENTS**

- 572872 2/1924 France ..... 292/292

FIG. 4 is an enlarged top plan view thereof, the bottom being a mirror image of that shown;

FIG. 5 is an enlarged front elevational view thereof, the rear being a mirror image of that shown;

FIG. 6 is an enlarged right end elevational view thereof; and,

FIG. 7 is an enlarged left end elevational view thereof.

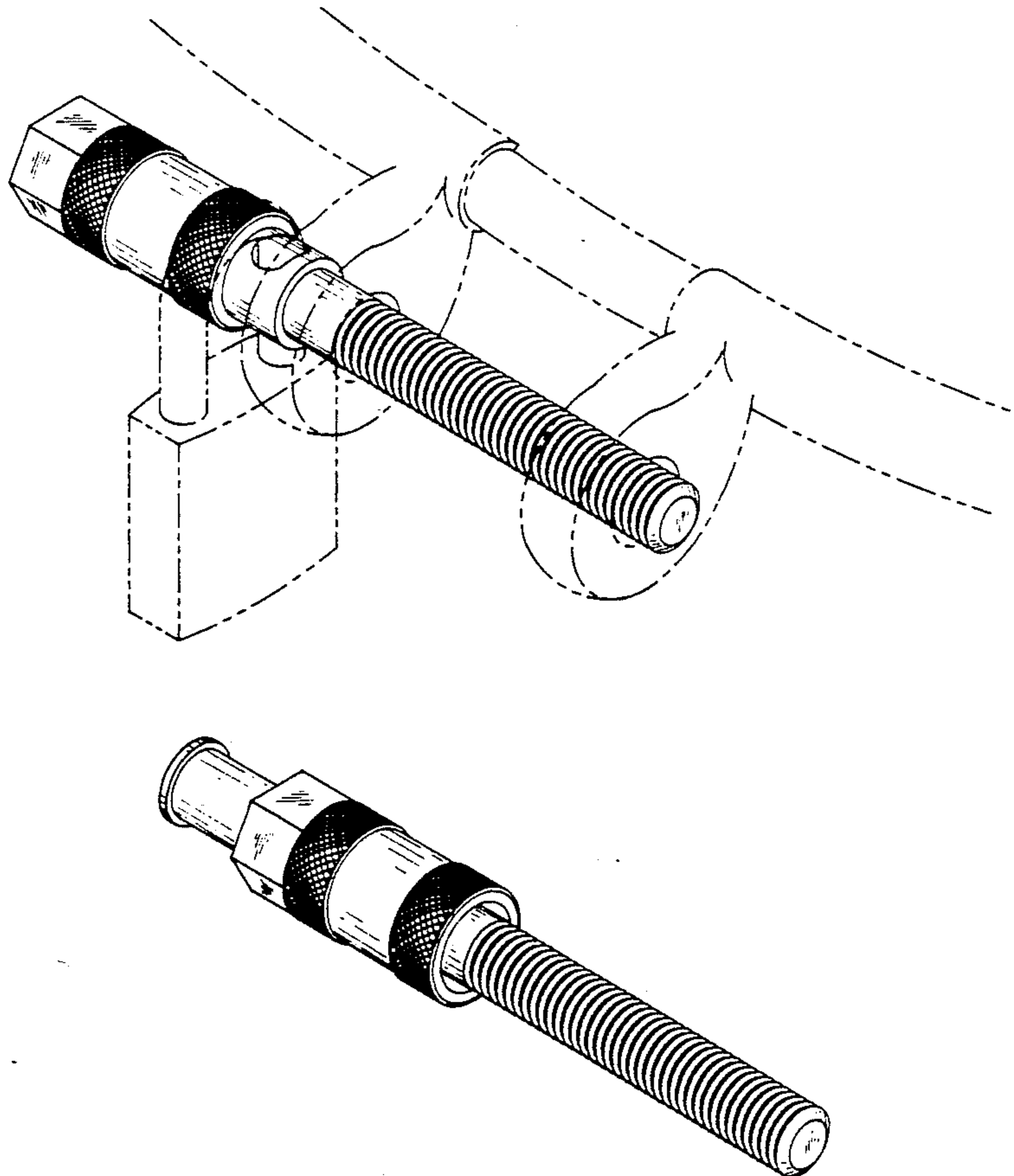


FIG. 1

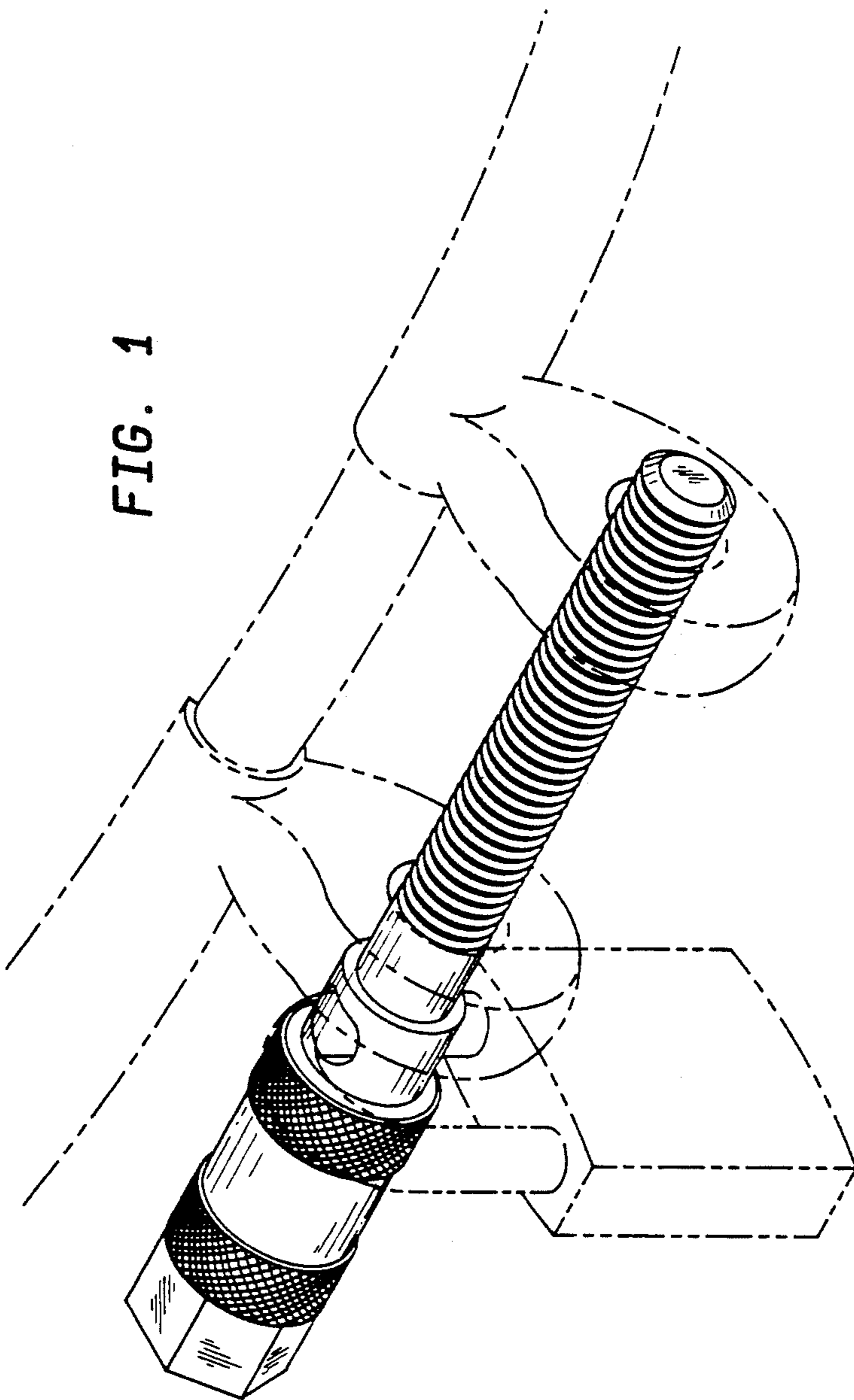


FIG. 2

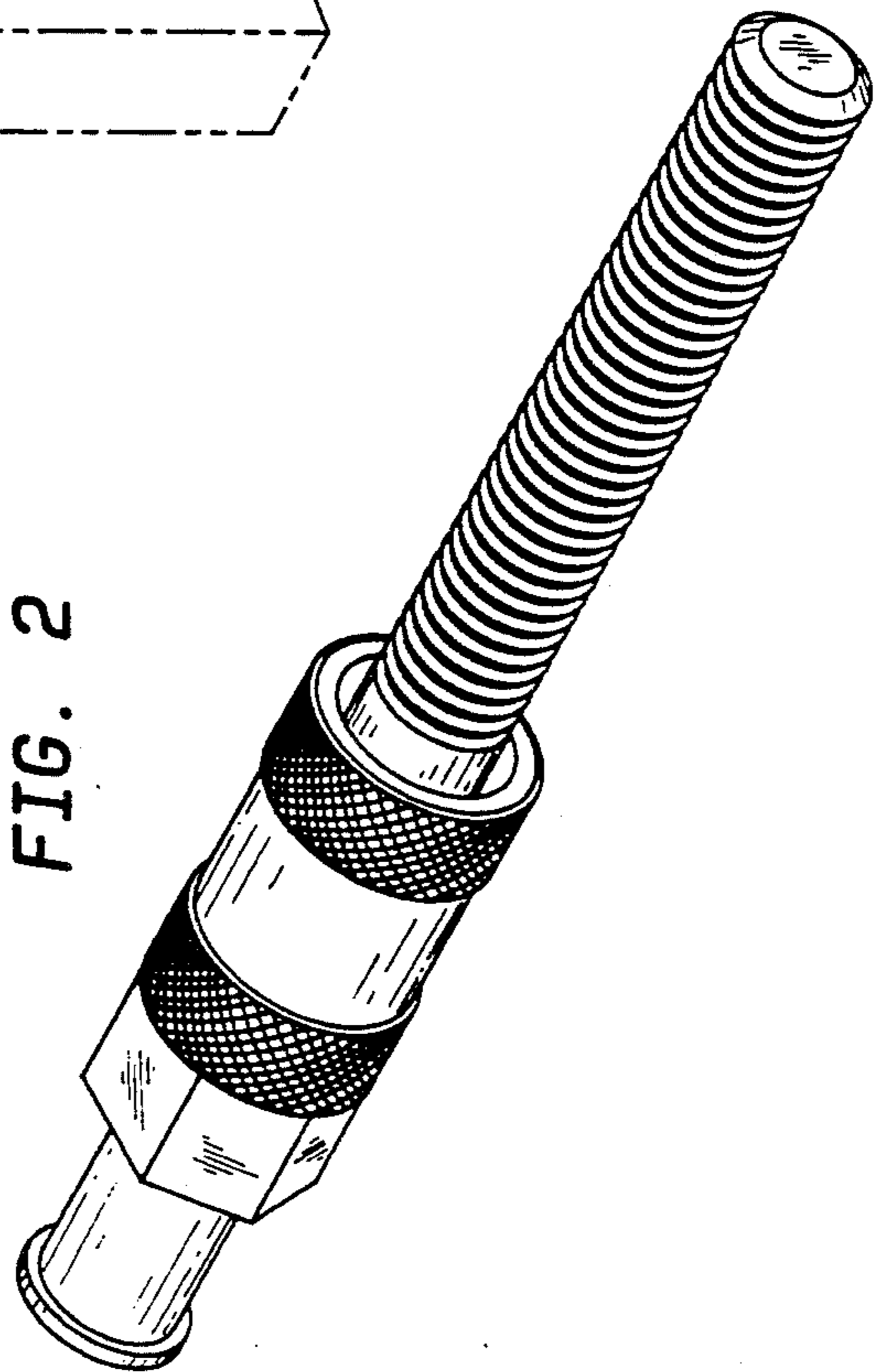


FIG. 3

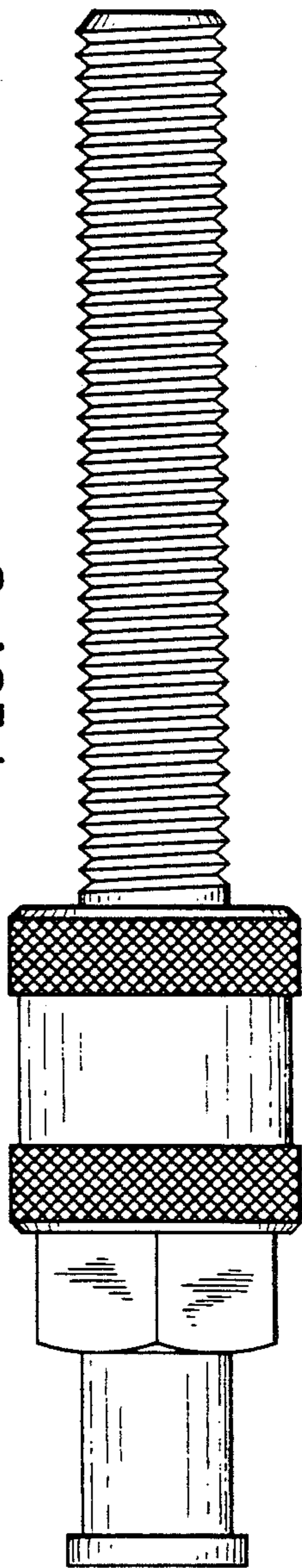


FIG. 4

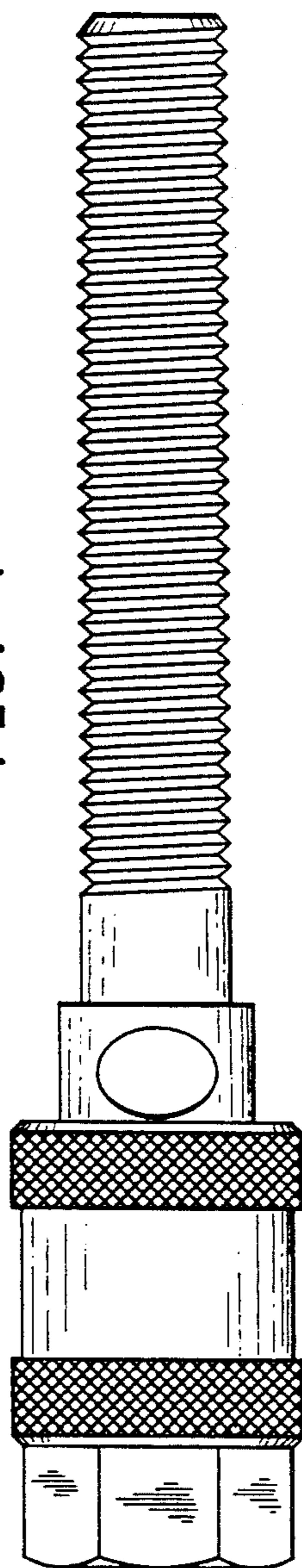


FIG. 5

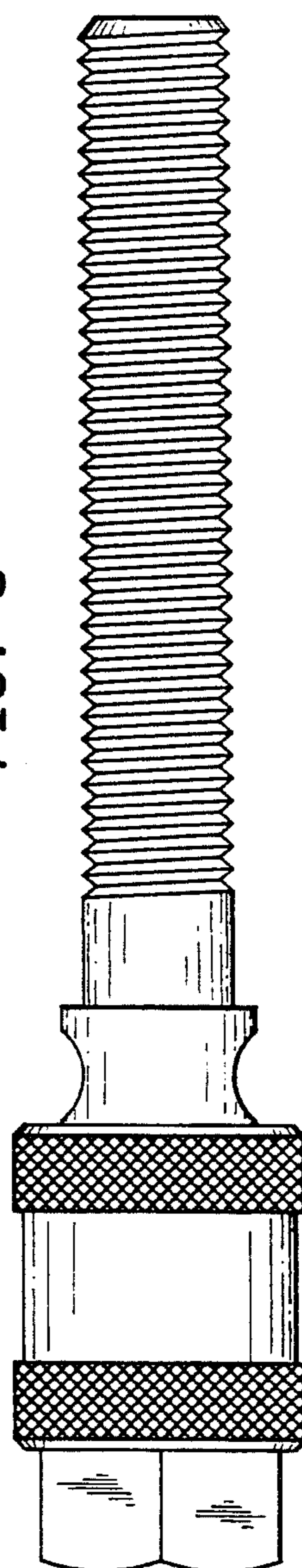


FIG. 6

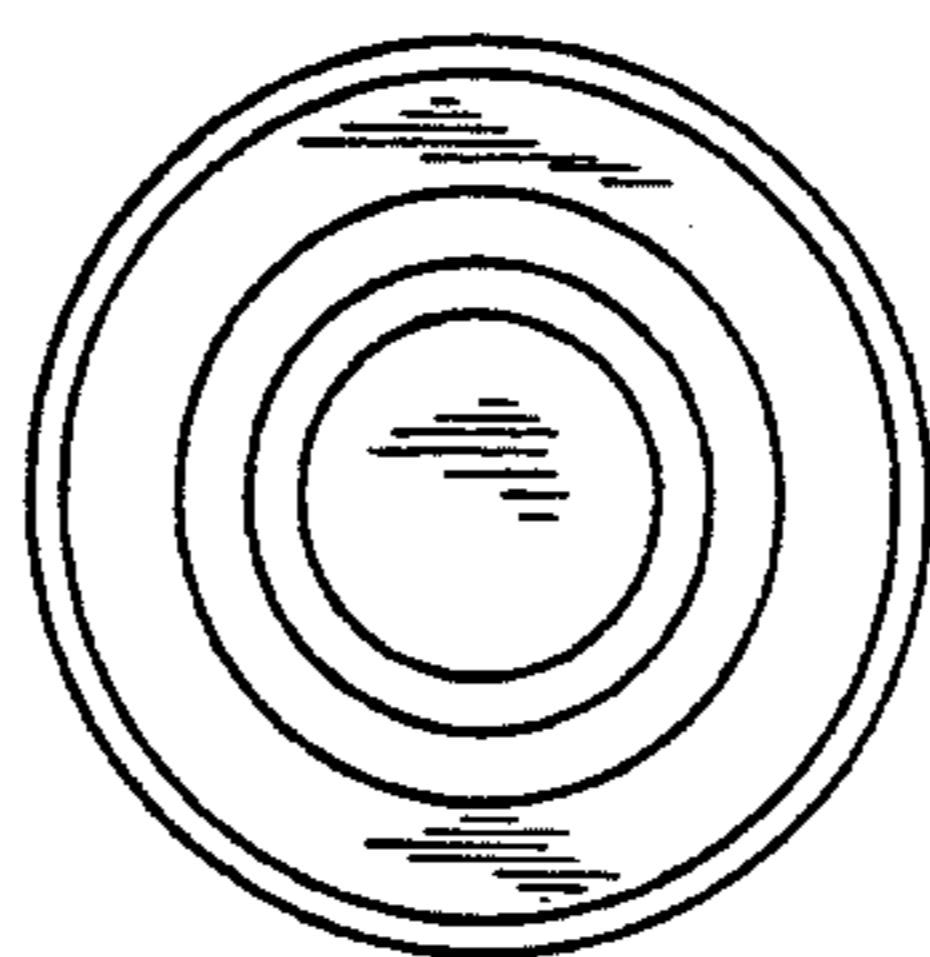


FIG. 7

