



US00D330152S

United States Patent [19]

[11] Patent Number: Des. 330,152

Ogawa et al.

[45] Date of Patent: ** Oct. 13, 1992

[54] PORTABLE ELECTRIC SCREW DRIVER

[56] References Cited

[75] Inventors: Yasunori Ogawa, Mito; Yuichi Sato; Atsushi Nakagawa, both of Katsuta, all of Japan

U.S. PATENT DOCUMENTS

D. 289,004 3/1987 Somers D8/68
D. 316,021 4/1991 Bunyea D8/68
D. 319,763 9/1991 Reiferscheid D8/68

[73] Assignee: Hitachi Koki Company Limited, Tokyo, Japan

Primary Examiner—Donald P. Walsh
Assistant Examiner—J. H. Musgrove
Attorney, Agent, or Firm—Lowe, Price, LeBlanc & Becker

[**] Term: 14 Years

[57] CLAIM

[21] Appl. No.: 510,918

The ornamental design for a portable electric screw driver, as shown.

[22] Filed: Apr. 18, 1990

DESCRIPTION

[30] Foreign Application Priority Data

Oct. 20, 1989 [JP] Japan 1-38438
[52] U.S. Cl. D8/68
[58] Field of Search D8/68, 61; 81/54, 57.11, 81/57.13, 57.14; 173/170; 408/124, 125

FIG. 1 is a top, front and right side of a portable electric screw driver showing our new design;
FIG. 2 is a right side elevational view thereof;
FIG. 3 is a top plan view thereof;
FIG. 4 is a rear elevational view thereof;
FIG. 5 is a front elevational view thereof;
FIG. 6 is a left side elevational view thereof; and,
FIG. 7 is a bottom plan view thereof.

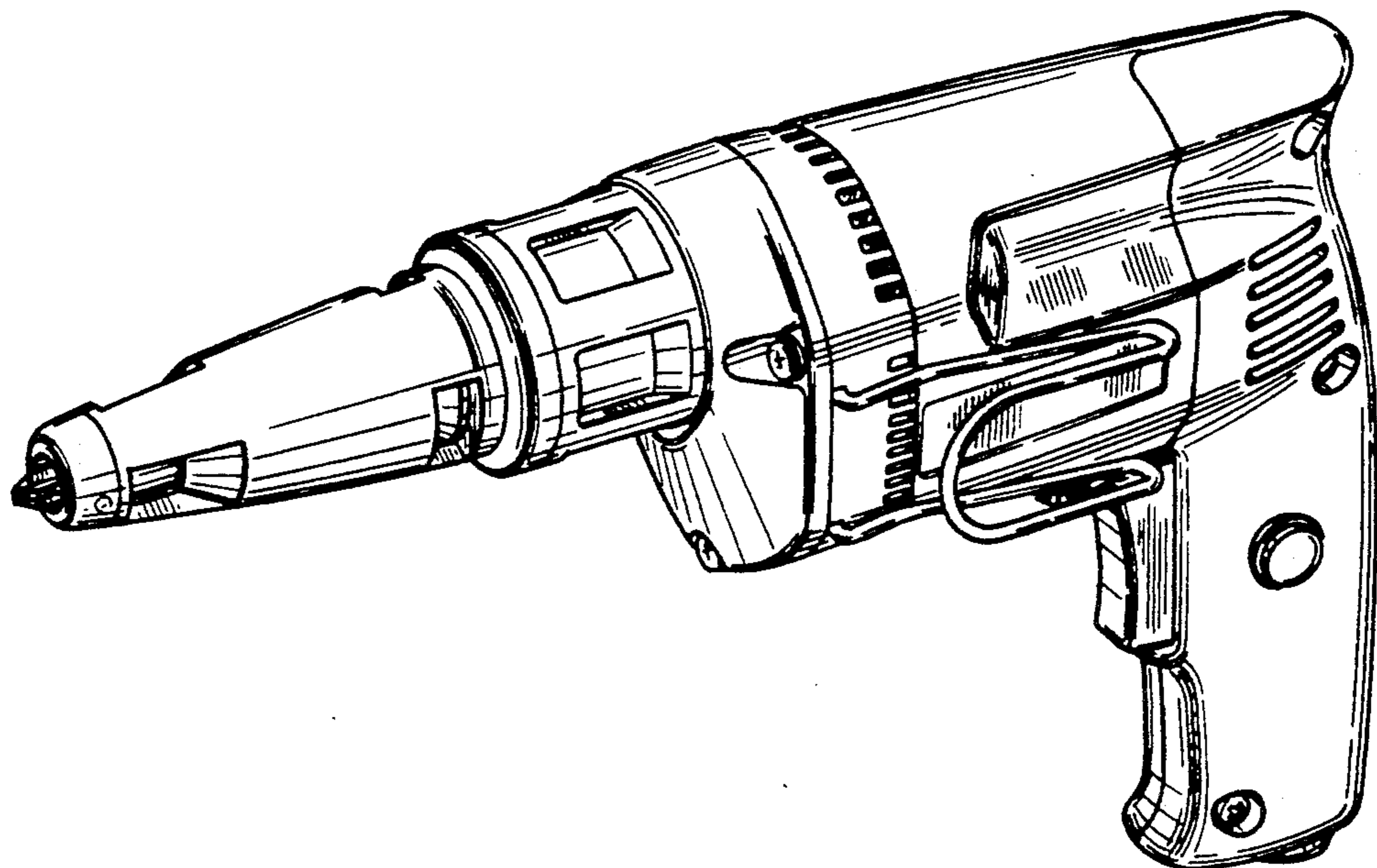


FIG. 1

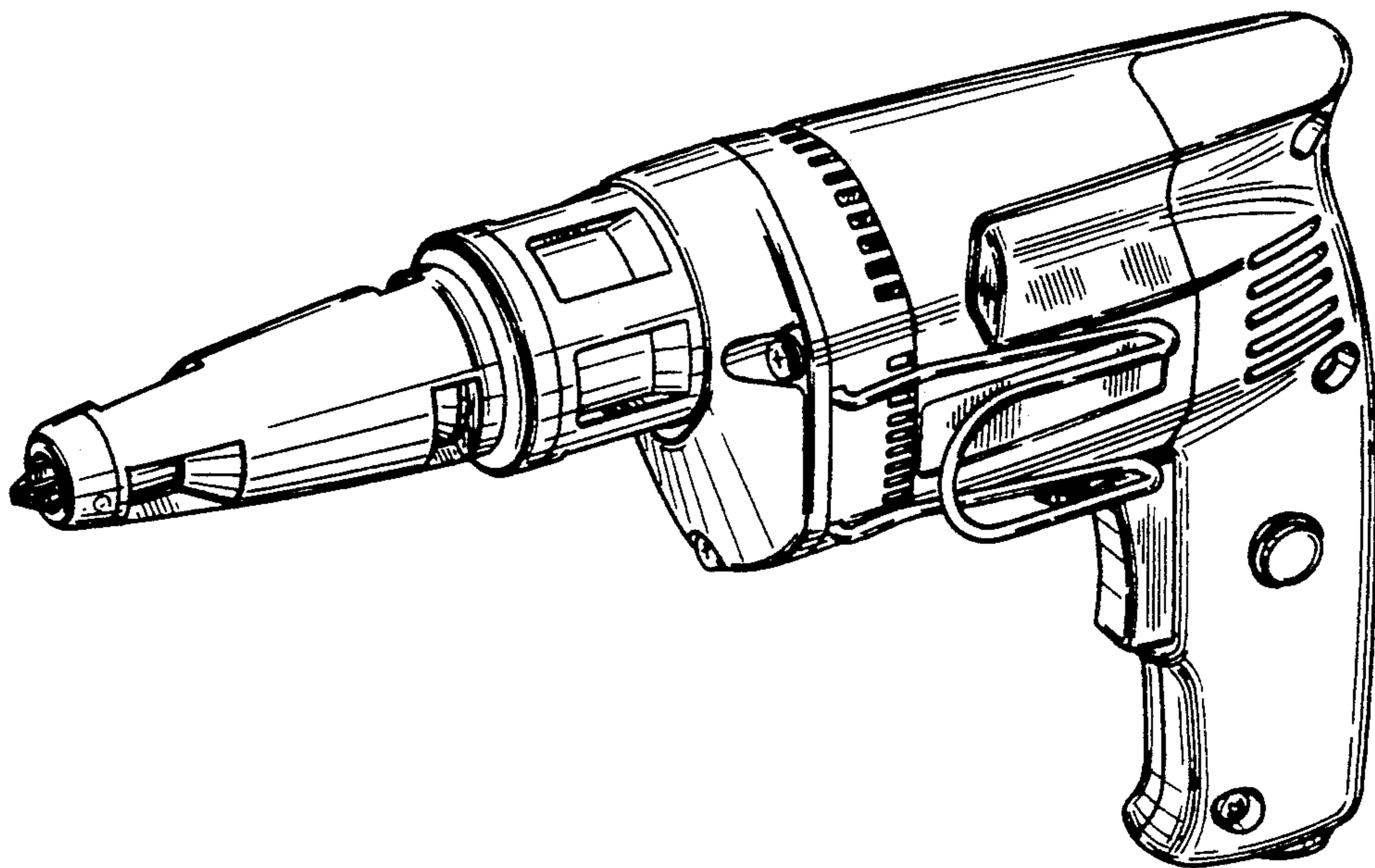


FIG. 2

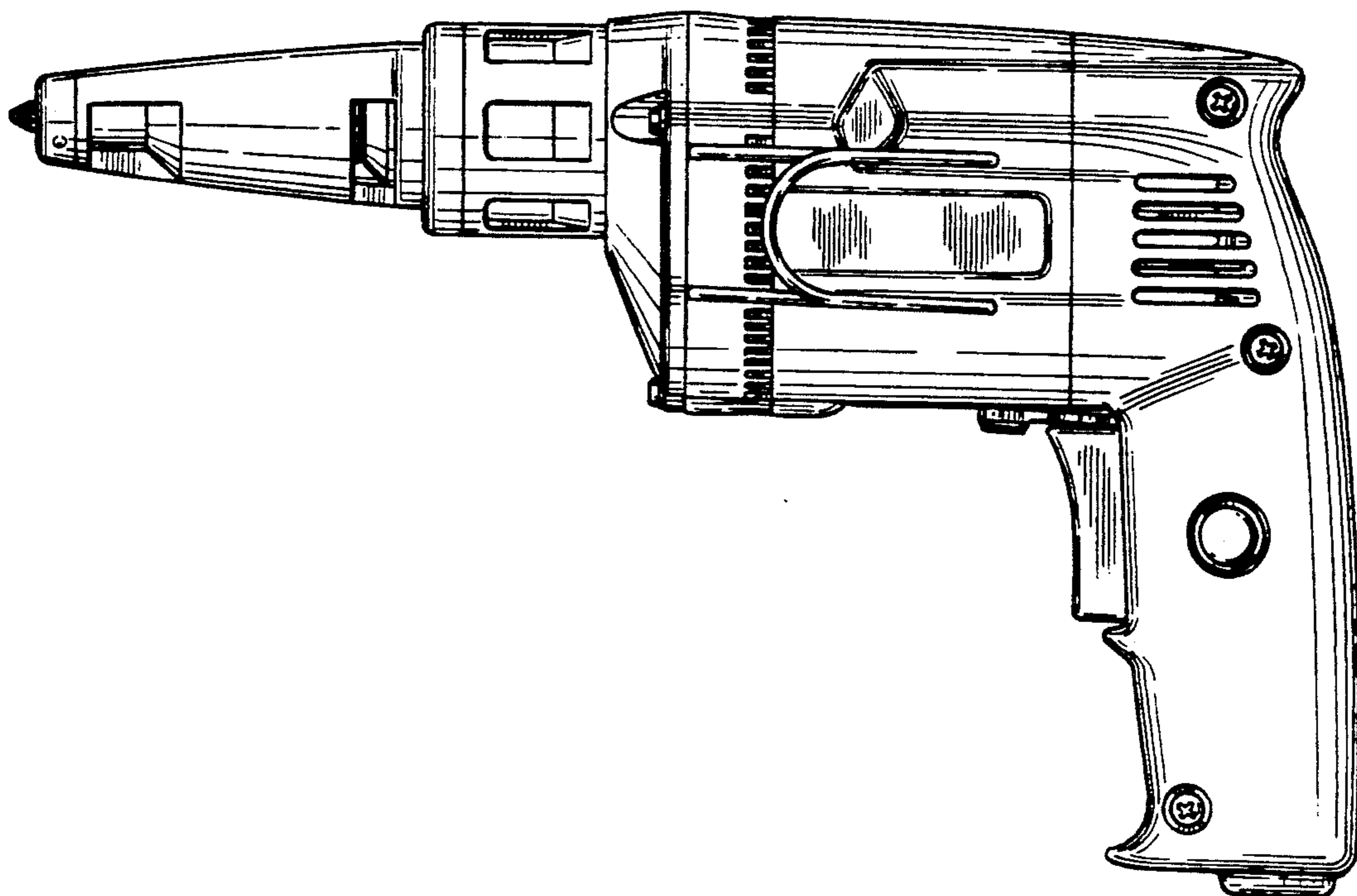


FIG. 3

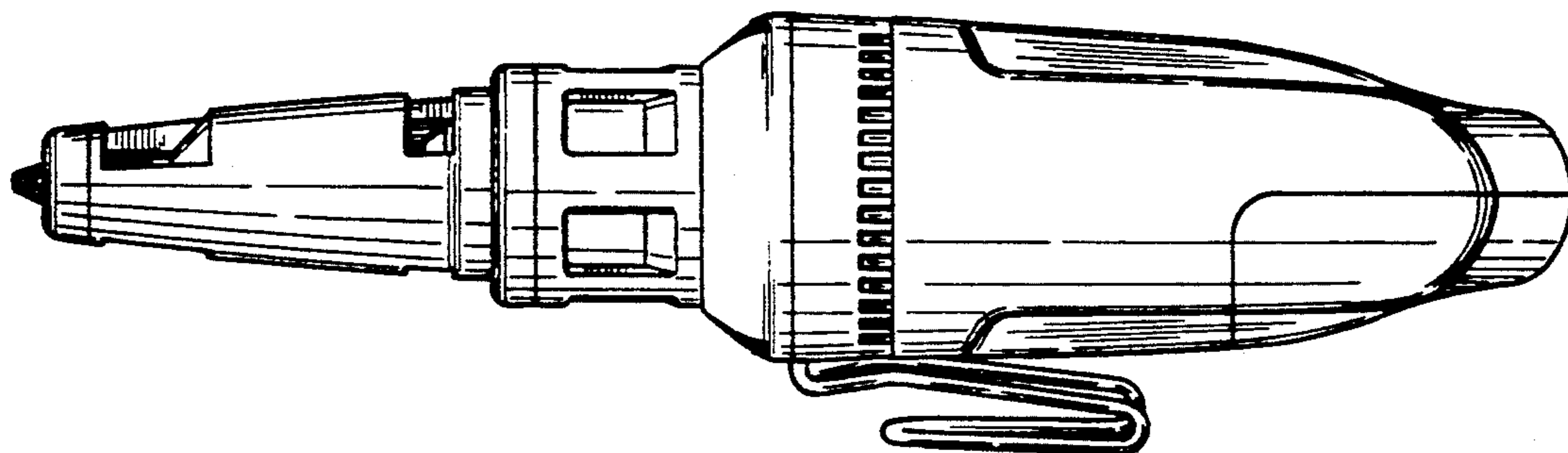


FIG. 4

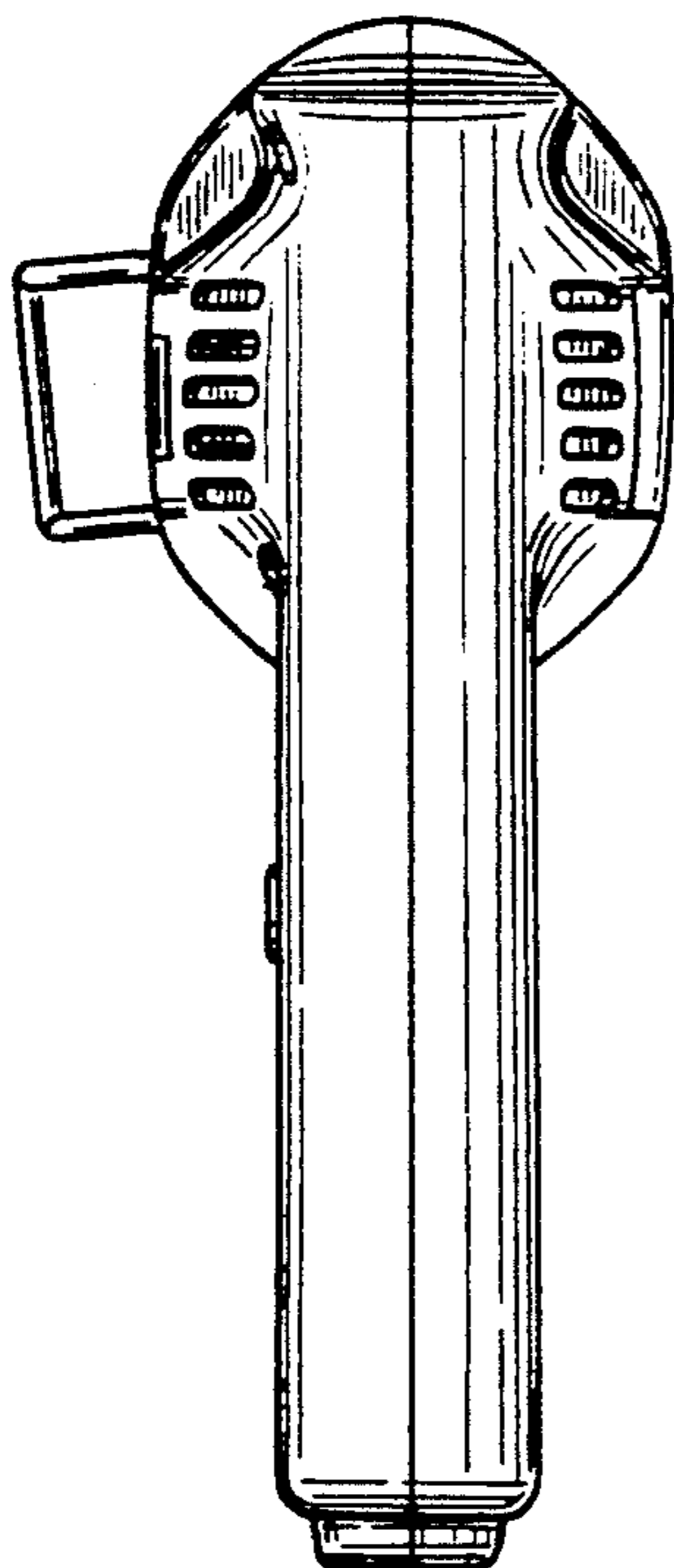


FIG. 5

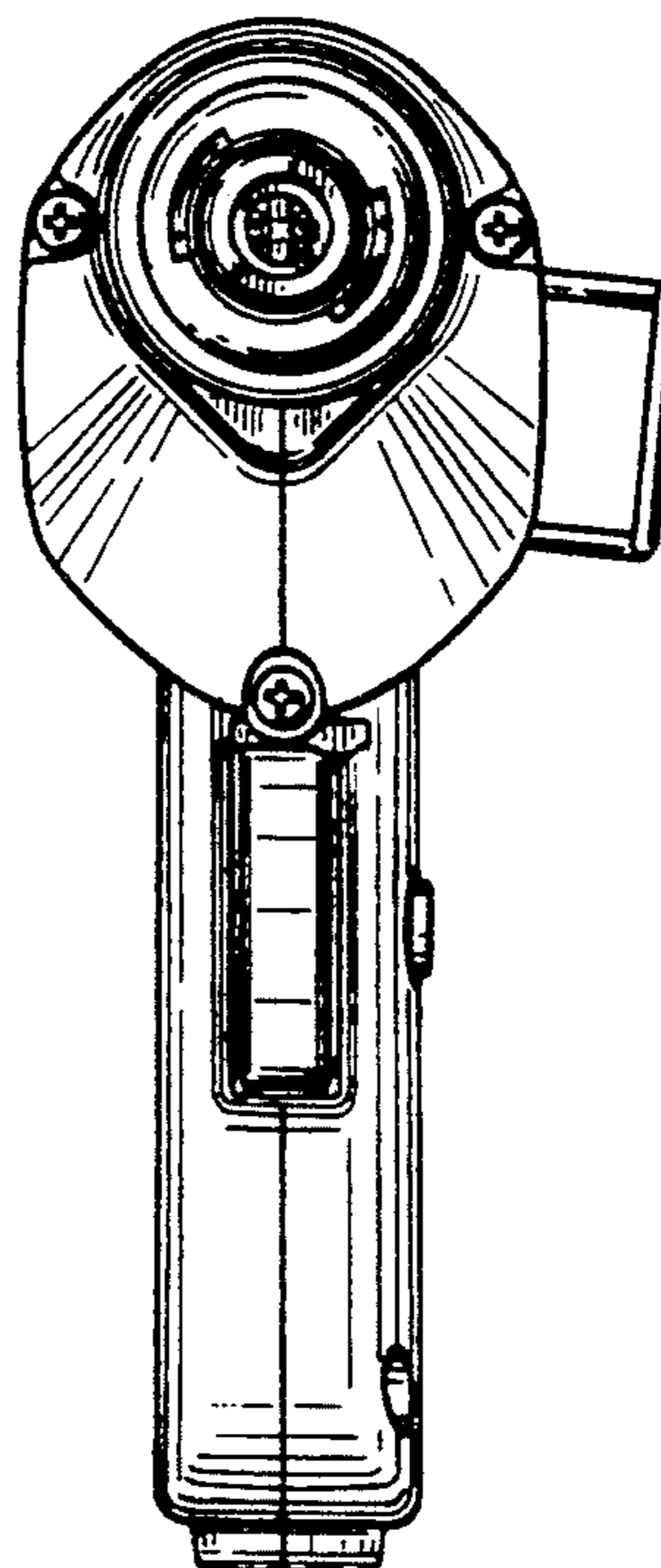


FIG. 6

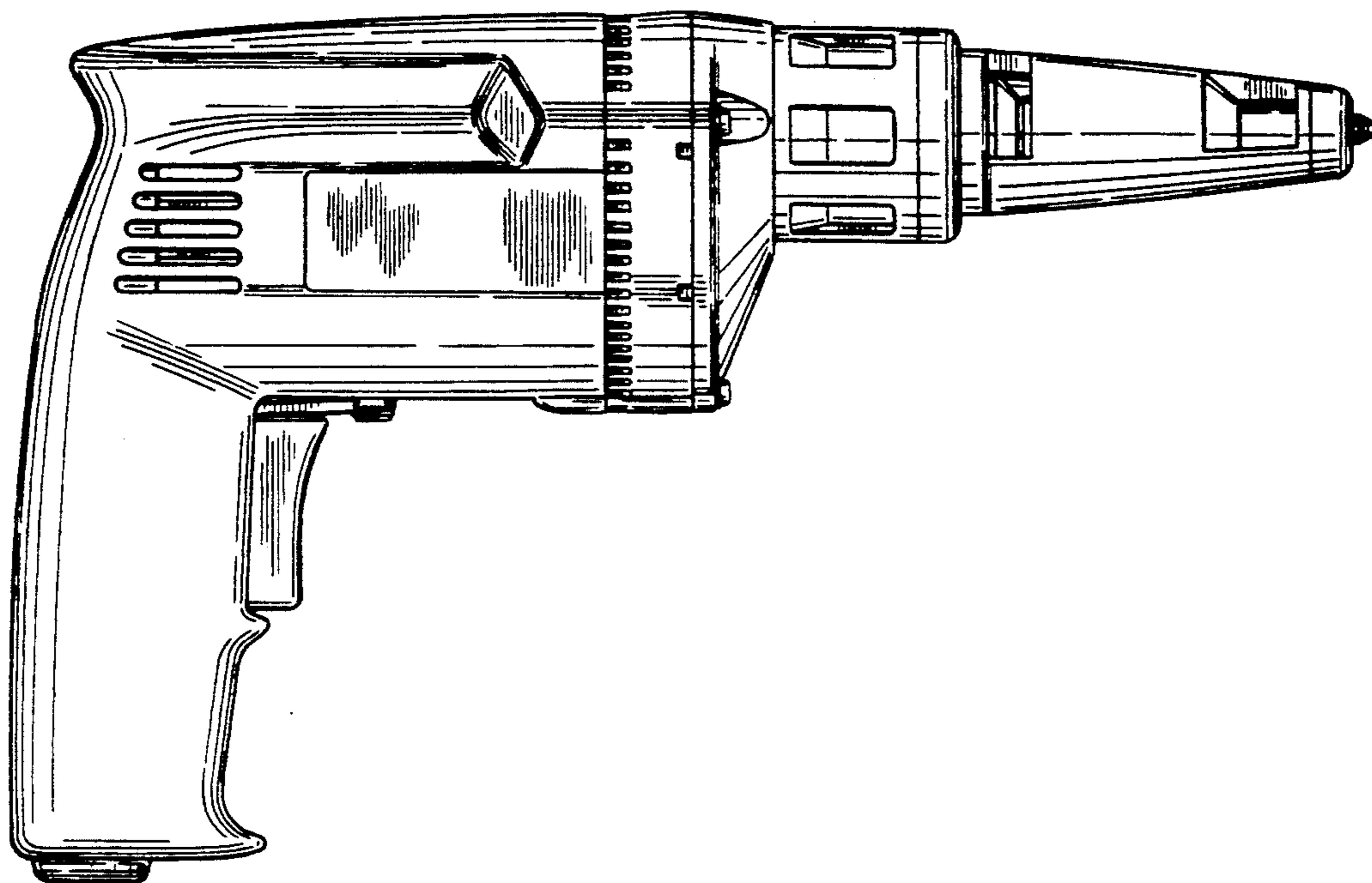


FIG. 7

