



US00D330151S

United States Patent [19]

[11] Patent Number: **Des. 330,151**

Fisher

[45] Date of Patent: **** Oct. 13, 1992**

[54] **PNEUMATIC GRINDER**

[75] Inventor: **Irving Fisher, Sherman Oaks, Calif.**

[73] Assignee: **Fisher Tool Co., Inc., Los Angeles, Calif.**

[**] Term: **14 Years**

[21] Appl. No.: **577,612**

[22] Filed: **Sep. 4, 1990**

[52] U.S. Cl. **D8/62**

[58] Field of Search **D8/62, 61; D15/139; 51/170 R, 170 T, 170 TL, 170 EB, 170 MT**

[56] **References Cited**

U.S. PATENT DOCUMENTS

D. 273,173	3/1984	Poon	D8/62
D. 324,803	3/1992	Butzen et al.	D8/62
3,885,355	5/1975	Kakimoto	51/170 T
4,016,684	4/1977	Urda	51/170 T

4,558,539	12/1985	Hansson	51/170 R
4,823,514	4/1989	Deluca	51/170 MT
4,879,847	11/1989	Butzen et al.	51/170 R
5,088,242	2/1992	Lubbering et al.	51/170 T

Primary Examiner—Carmen H. Vales-Lado
Assistant Examiner—Jeff Musgrove
Attorney, Agent, or Firm—Thomas I. Rozsa

[57] **CLAIM**

The ornamental design for a pneumatic grinder, as shown and described.

DESCRIPTION

FIG. 1 is a top, rear and left side perspective view of a pneumatic grinder showing my new design;
FIG. 2 is a bottom plan view;
FIG. 3 is a right side elevational view;
FIG. 4 is a top plan view;
FIG. 5 is a front elevational view; and,
FIG. 6 is a rear elevational view.

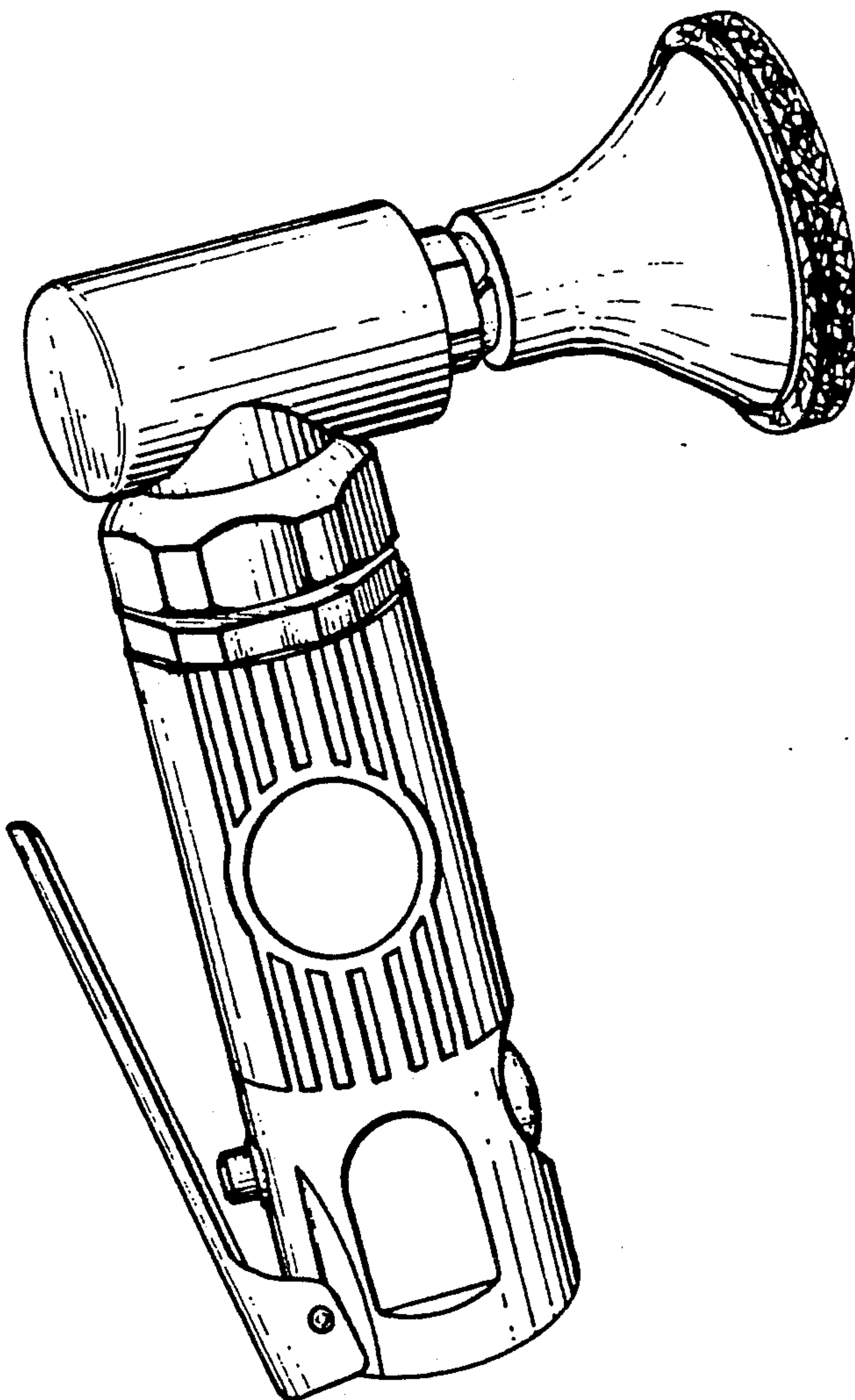


Fig. 1.

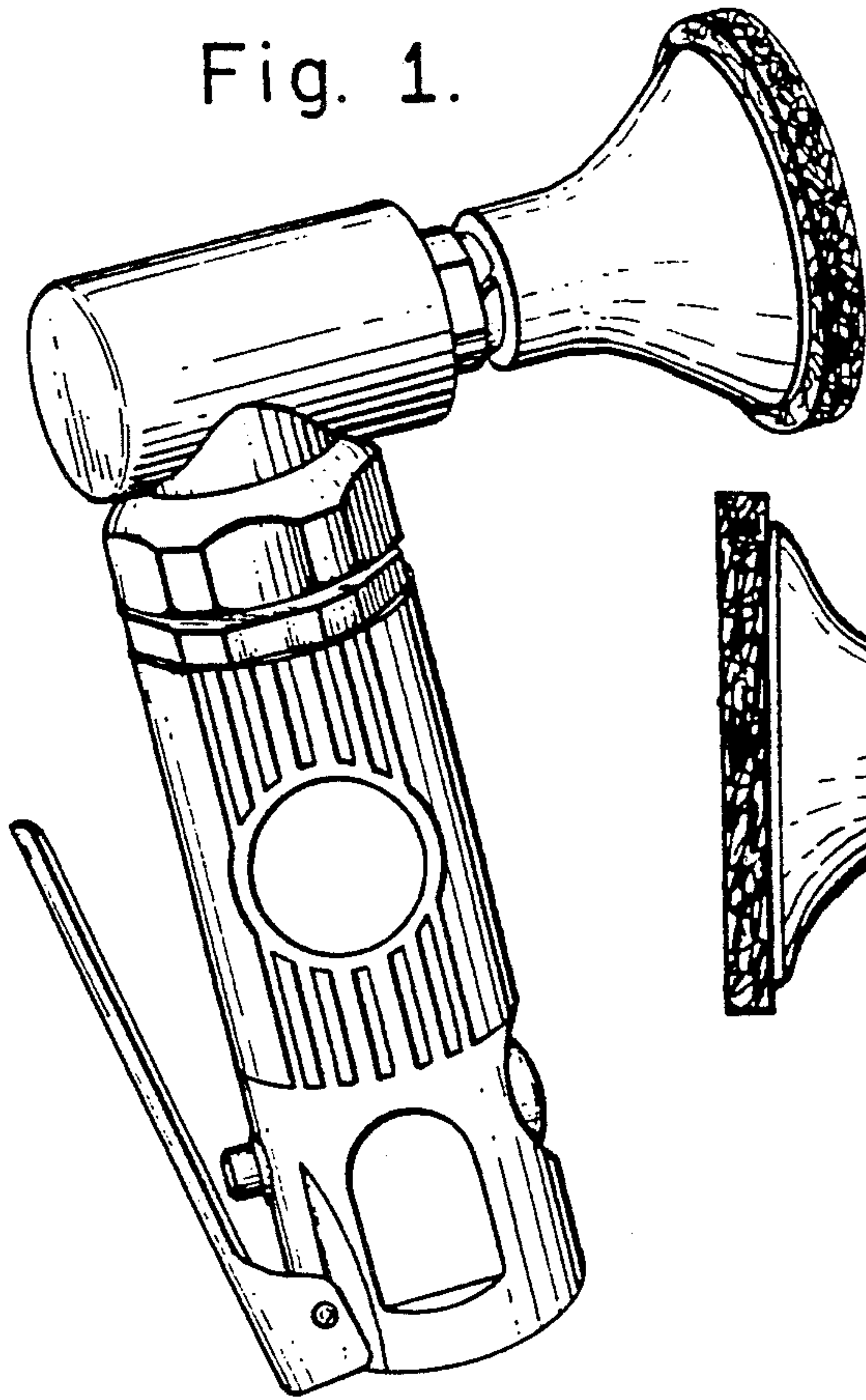


Fig. 2.

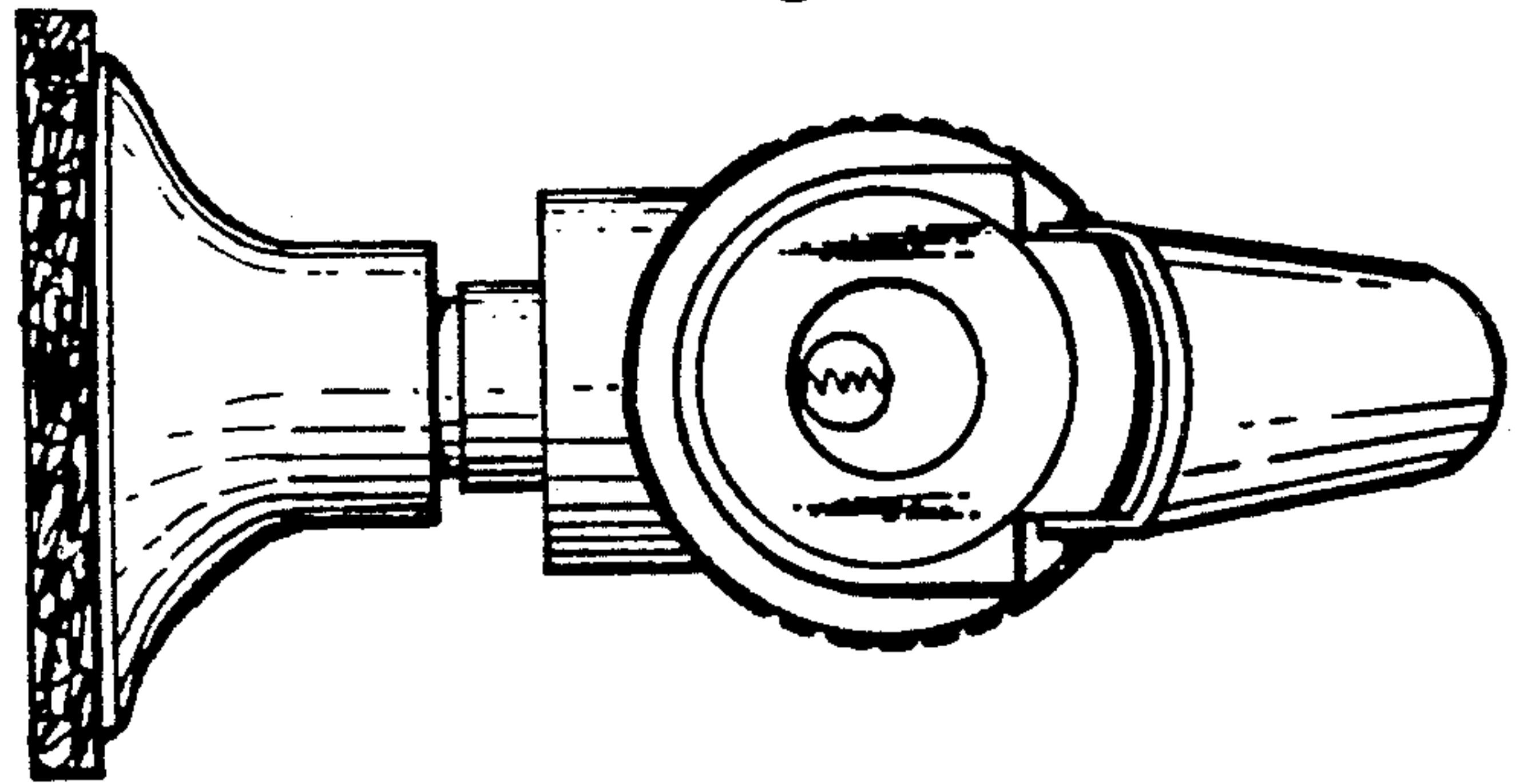


Fig. 3.

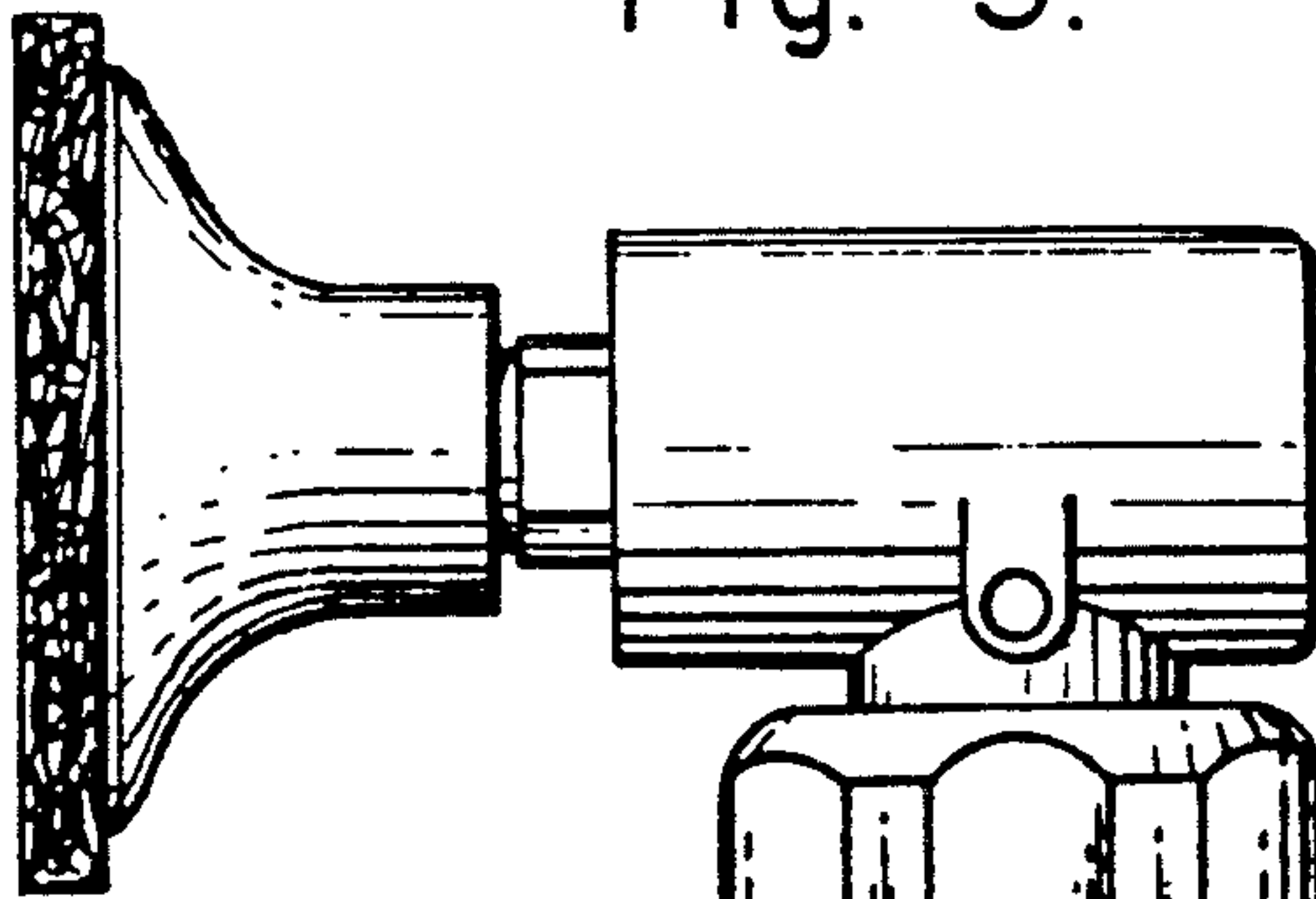
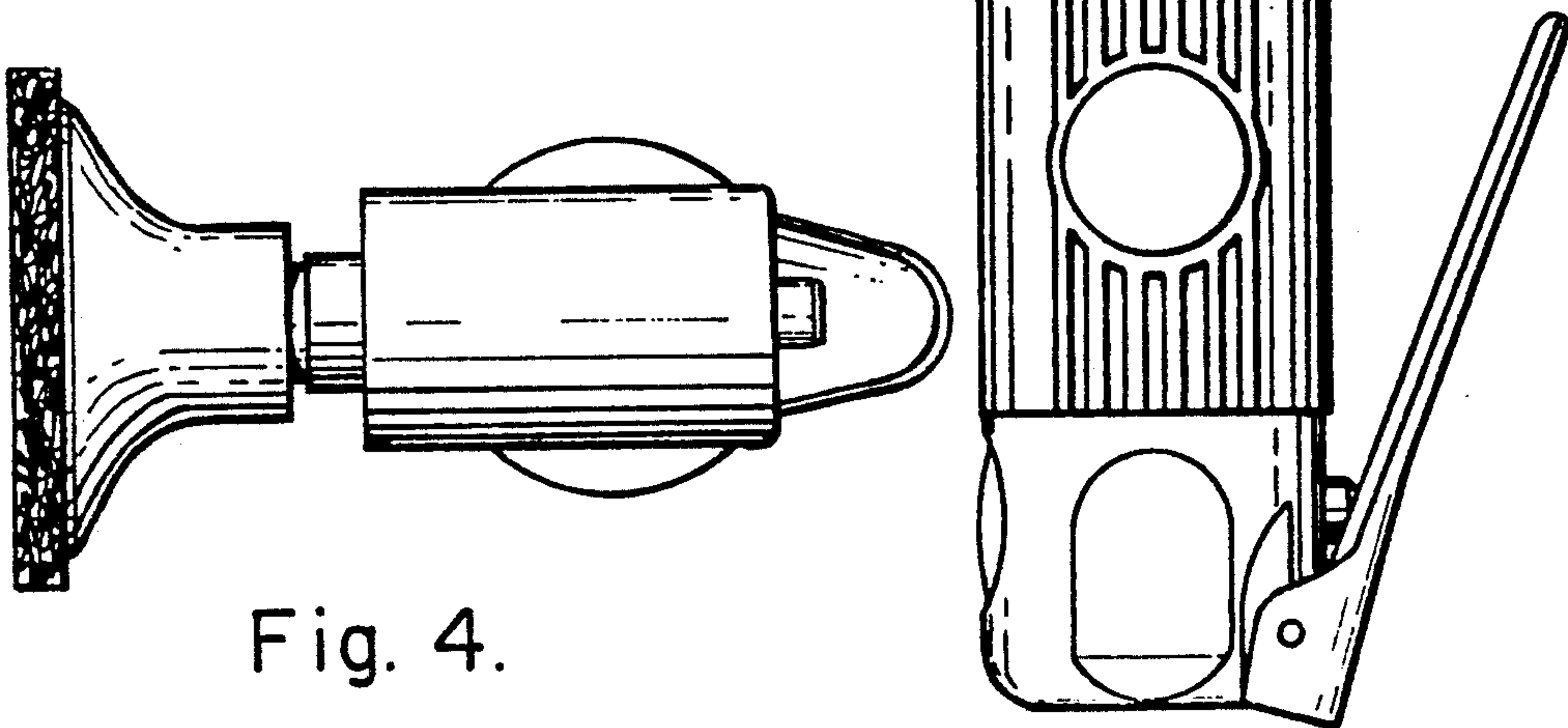


Fig. 4.



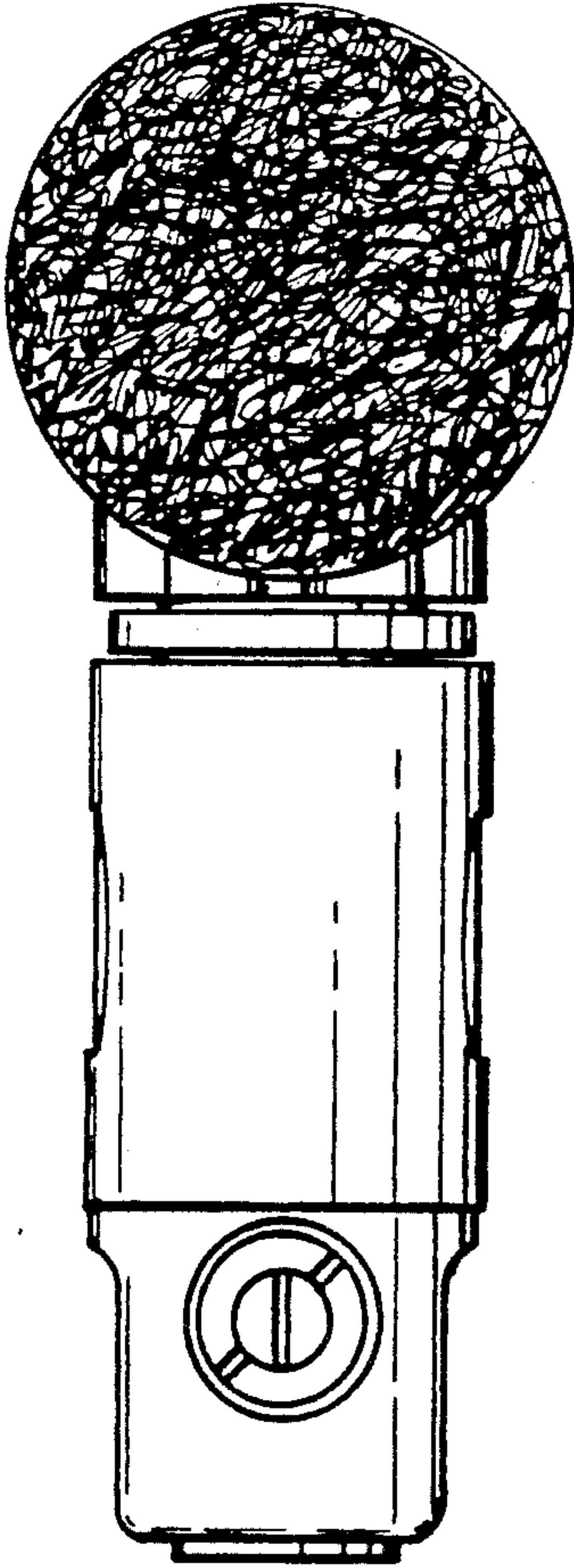


Fig. 5.

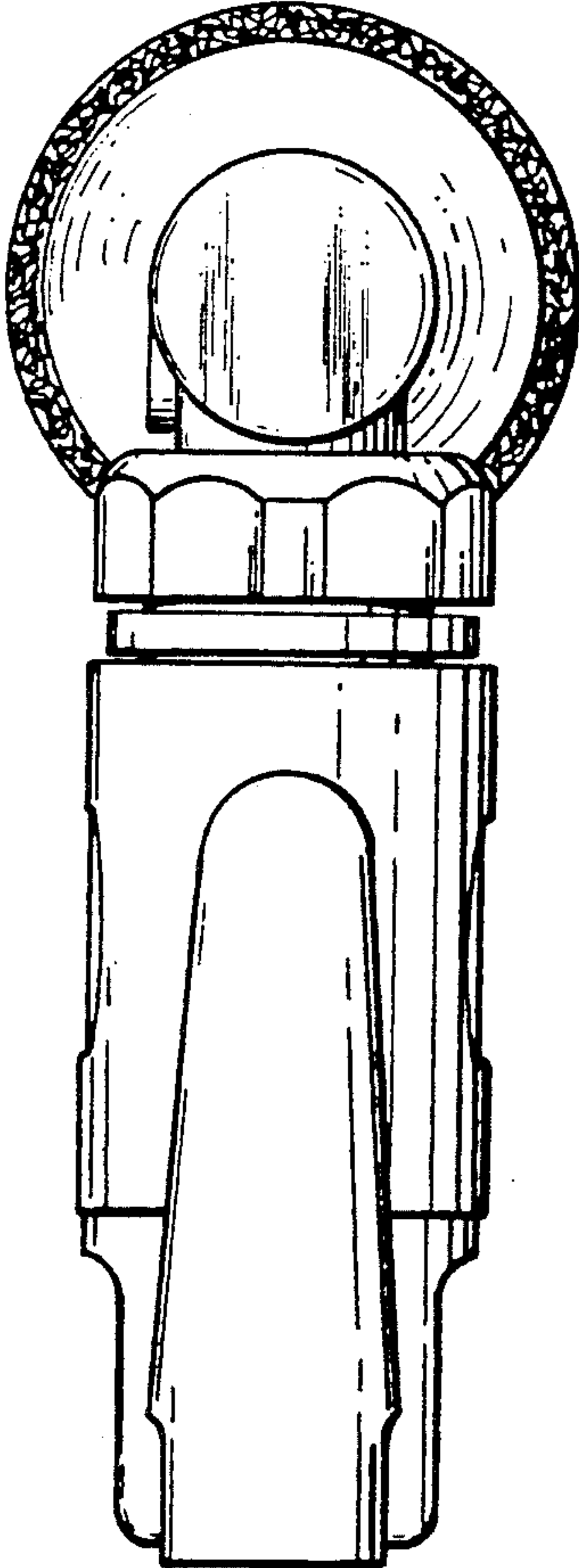


Fig. 6.