



US00D330150S

# United States Patent [19]

[11] Patent Number: **Des. 330,150**

Rogers

[45] Date of Patent: **\*\* Oct. 13, 1992**

[54] **PECAN CRACKER**

3,310,083 3/1967 Jennings ..... 99/568 X  
4,128,938 12/1978 Davis .

[76] Inventor: **Douglas C. Rogers**, 15223 Lindstrom Rd., Crosby, Tex. 77532

*Primary Examiner*—Terry A. Pfeffer  
*Attorney, Agent, or Firm*—Terry M. Gernstein

[\*\*] Term: **14 Years**

[21] Appl. No.: **506,897**

[57] **CLAIM**

[22] Filed: **Apr. 10, 1990**

The ornamental design for a pecan cracker, as shown and described.

[52] U.S. Cl. .... **D7/680**

[58] Field of Search ..... **D7/680;**  
30/120.1-120.5; 99/568, 571, 572, 582

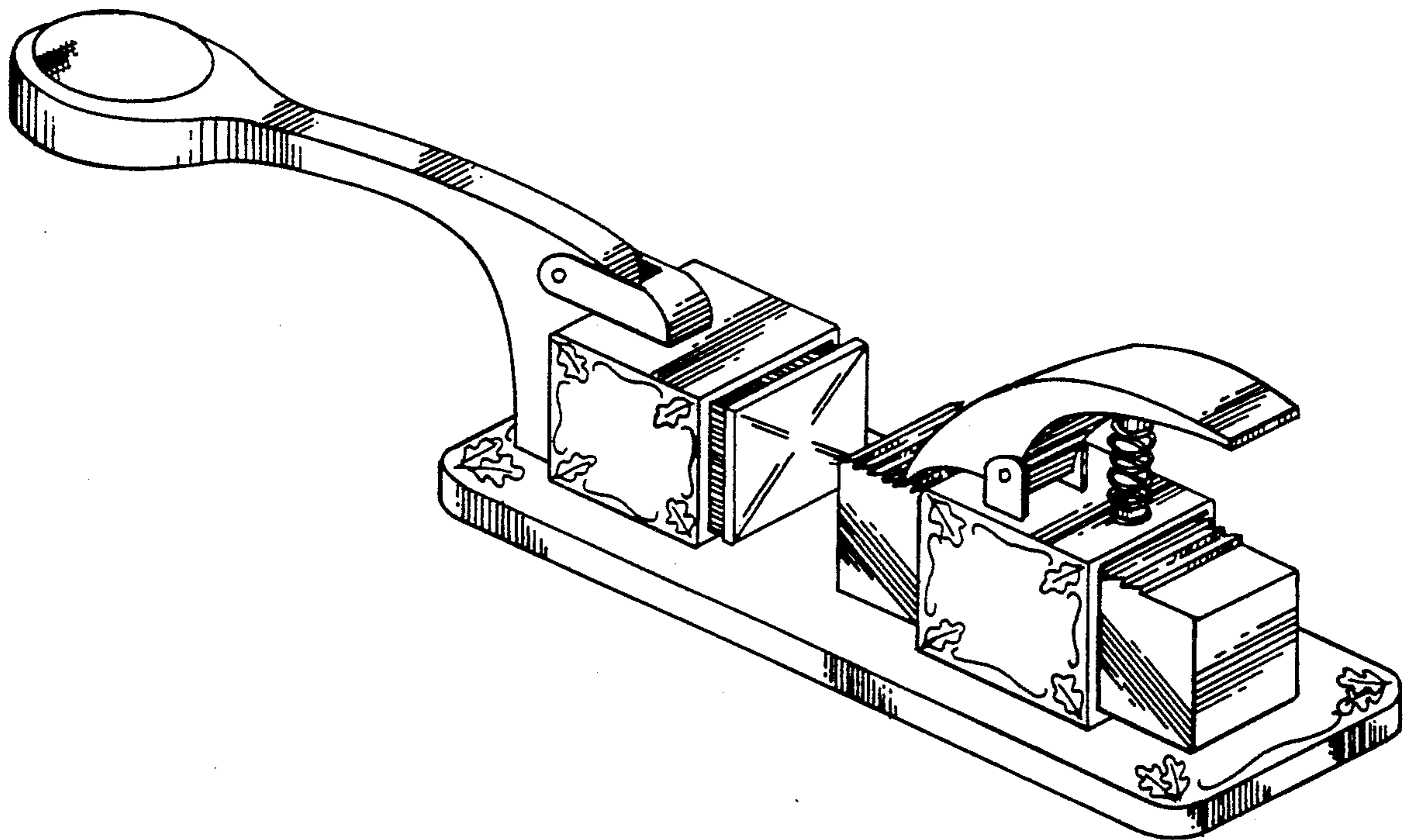
**DESCRIPTION**

[56] **References Cited**

**U.S. PATENT DOCUMENTS**

- D. 231,181 4/1974 Wehr ..... D7/680
- 699,529 5/1902 Hutchinson .
- 1,437,860 12/1922 Pitman .
- 2,642,908 6/1953 Landgraf ..... D7/680 X

FIG. 1 is a perspective view of the pecan cracker showing my new design;  
 FIG. 2 is a front elevational view thereof, the opposite side being identical;  
 FIG. 3 is a right side elevational view thereof;  
 FIG. 4 is a left side elevational view thereof; and,  
 FIG. 5 is a top plan view thereof, the undisclosed bottom view being unornamented.



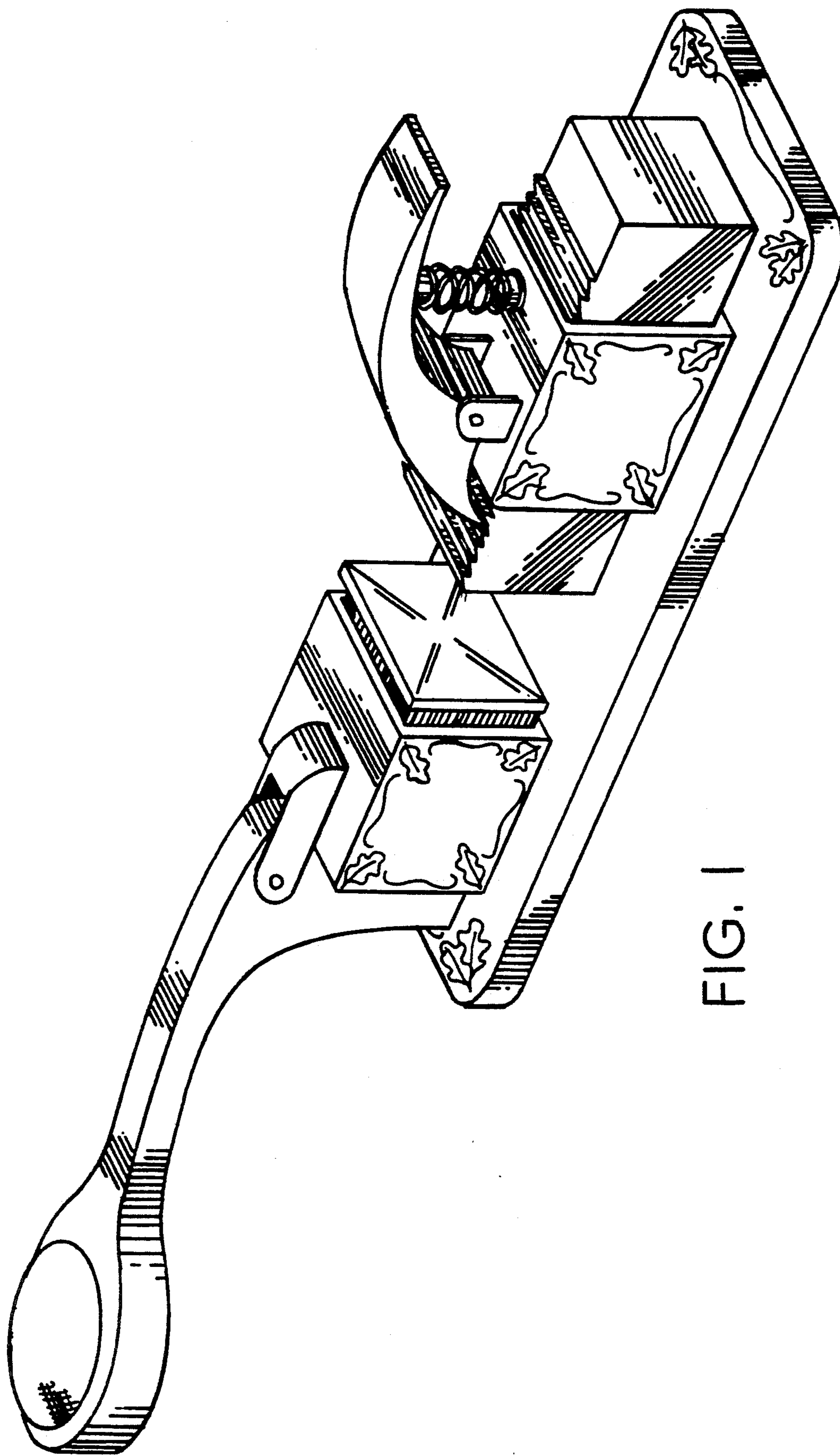


FIG. 1

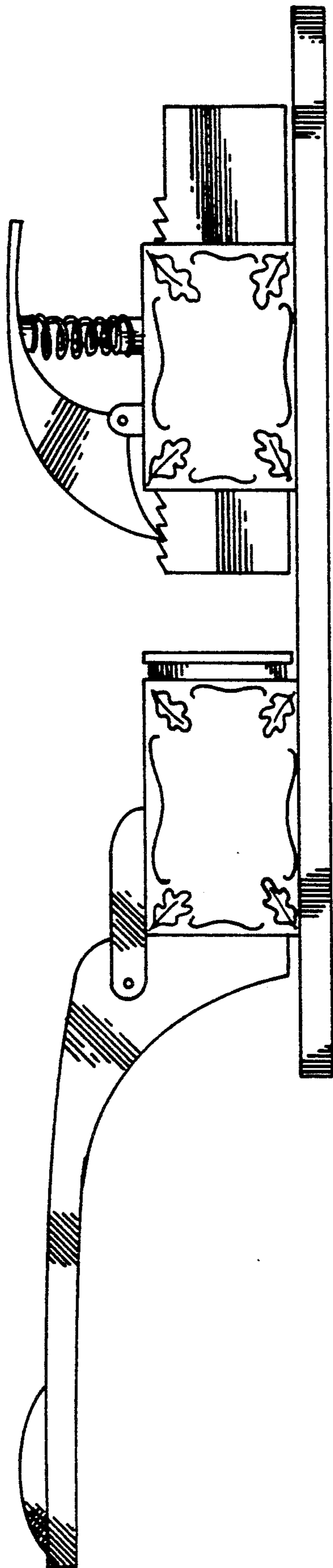


FIG. 2

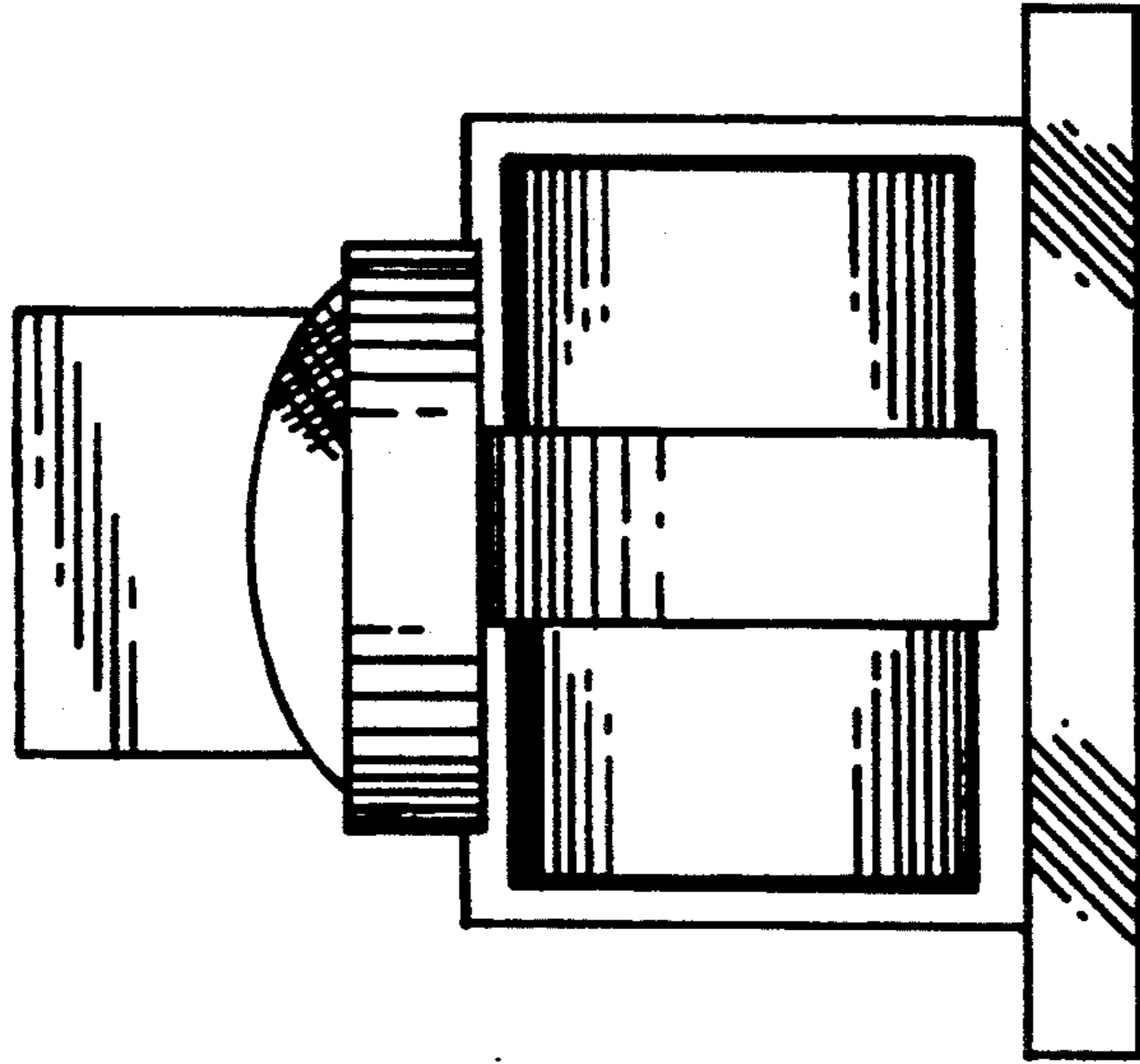


FIG. 4

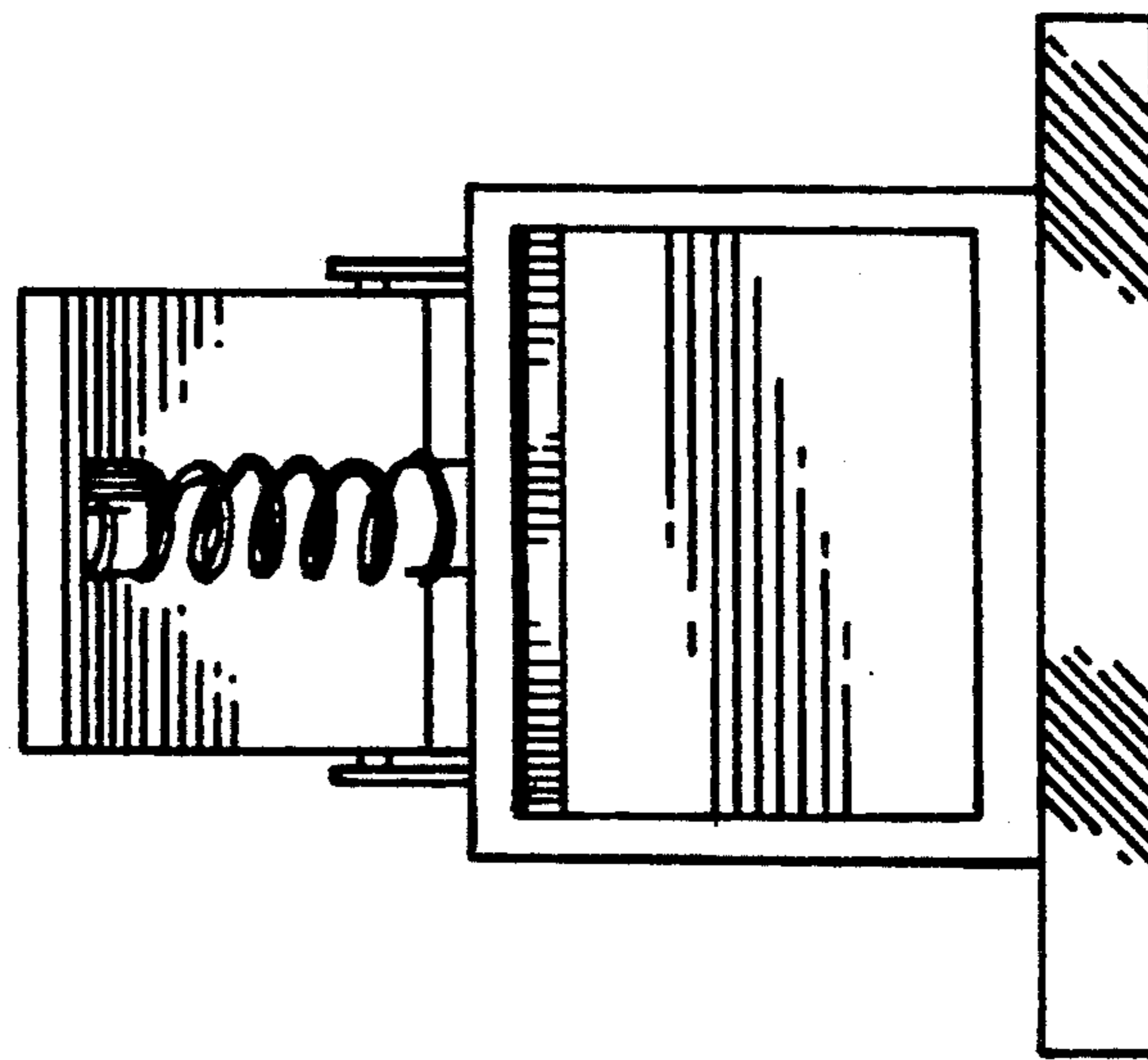


FIG. 3

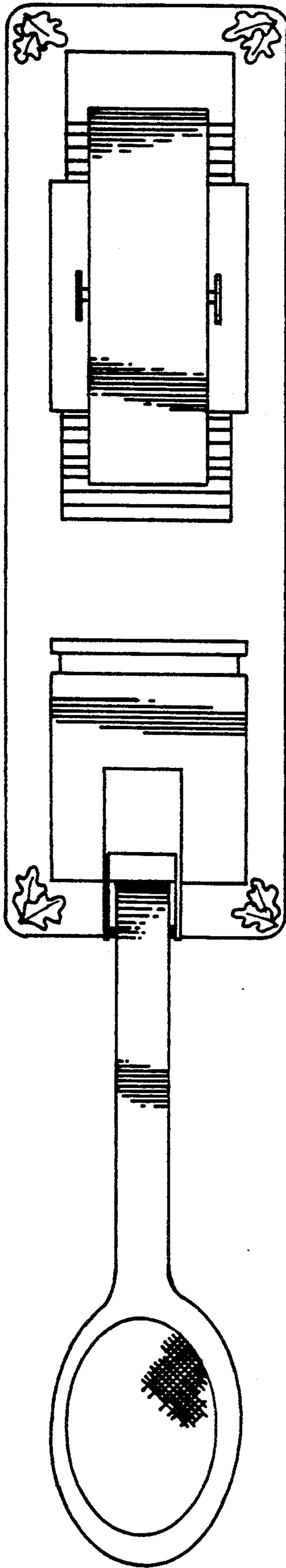


FIG. 5