



US00D330149S

United States Patent [19]

Weimer

[11] Patent Number: **Des. 330,149**

[45] Date of Patent: **** Oct. 13, 1992**

[54] **DOUGH GUIDE SUITABLE FOR MAKING TACO SALAD SHELLS**

[75] Inventor: **Ralph E. Weimer, Wheaton, Ill.**

[73] Assignee: **Restaurant Technology, Inc., Oak Brook, Ill.**

[**] Term: **14 Years**

[21] Appl. No.: **608,962**

[22] Filed: **Nov. 5, 1990**

[52] U.S. Cl. **D7/672**

[58] Field of Search **D7/672; 99/353, 426, 99/428, 450**

3,424,076	1/1969	Bernatz	99/416
3,963,402	6/1976	Berta	425/299
4,173,926	11/1979	Brignall	99/349
4,494,453	1/1985	Bentson	99/349
4,530,275	7/1985	Stickle et al.	99/353
4,535,688	8/1985	Bentson	99/353
4,579,745	4/1986	Mei Sue	426/512
4,931,301	6/1990	Giuseppe	426/505

Primary Examiner—Terry A. Pfeffer
Attorney, Agent, or Firm—Jenner & Block

[57] CLAIM

The ornamental design for a dough guide suitable for making taco salad shells, as shown and described.

DESCRIPTION

FIG. 1 is a perspective view of a dough guide suitable for making taco salad shells showing my new design; FIG. 2 is a top plan view thereof; FIG. 3 is a side elevation view thereof; FIG. 4 is a rear elevation view thereof; FIG. 5 is a bottom plan view thereof; and, FIG. 6 is a sectional view thereof along lines 6—6 of FIG. 2.

[56] References Cited

U.S. PATENT DOCUMENTS

D. 226,530	3/1973	Carasso	D7/672
2,346,839	4/1944	Harriss	99/439
2,833,654	5/1958	Sonnenshein	99/100
2,954,729	10/1960	Suica	99/426
2,954,729	10/1960	Suica	99/436
3,225,714	12/1965	Gaskell	D7/672 X

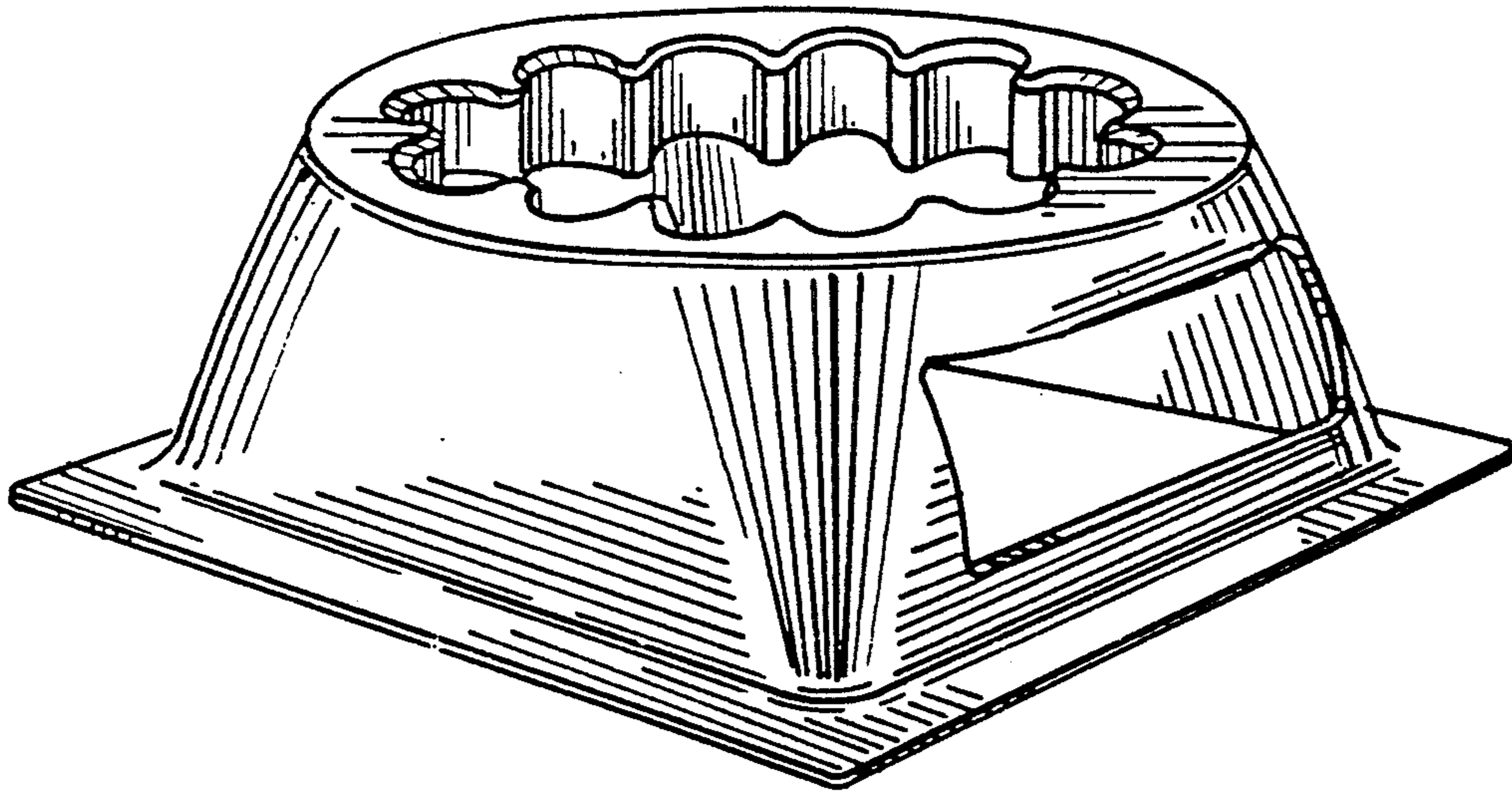
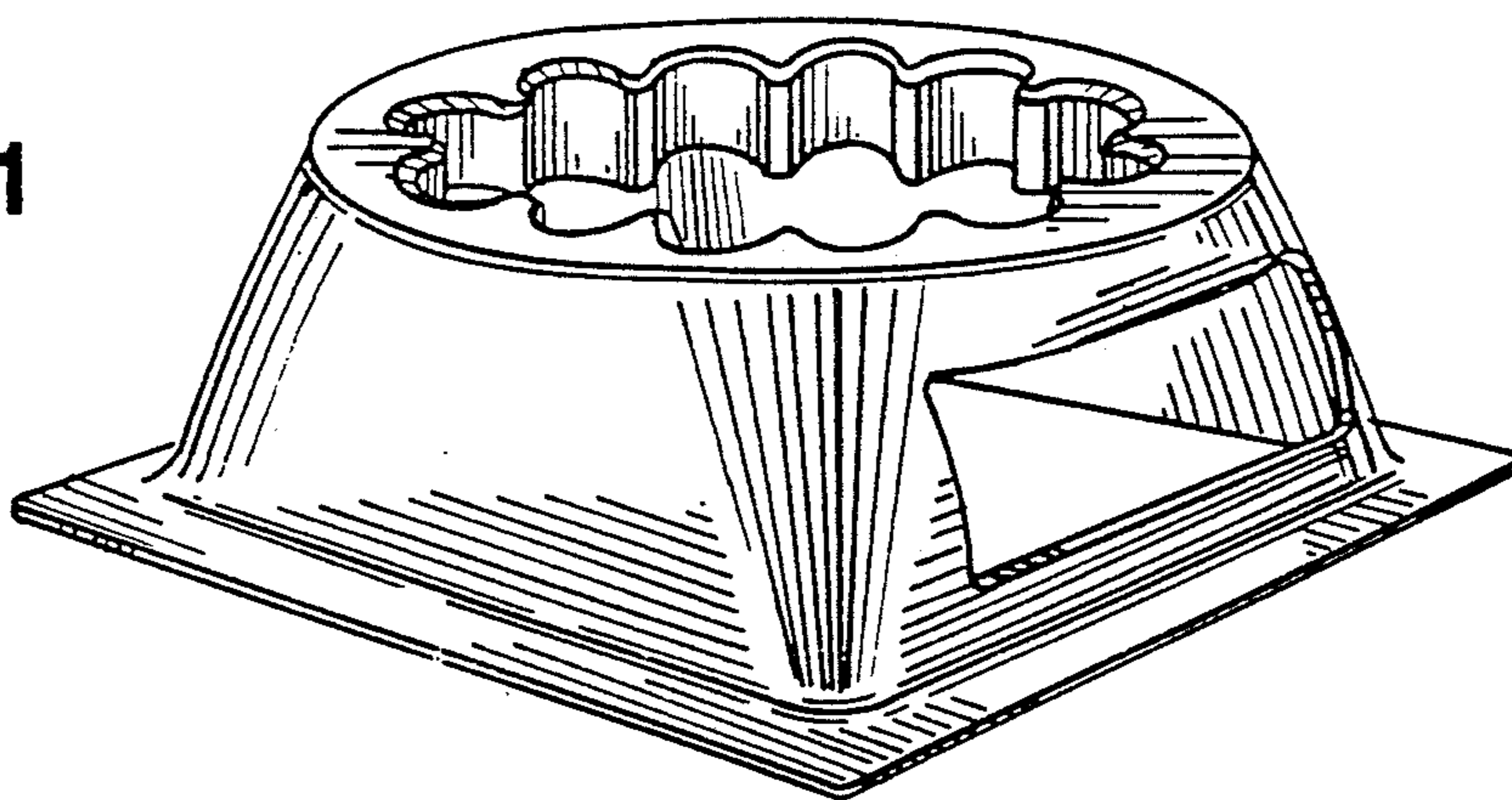
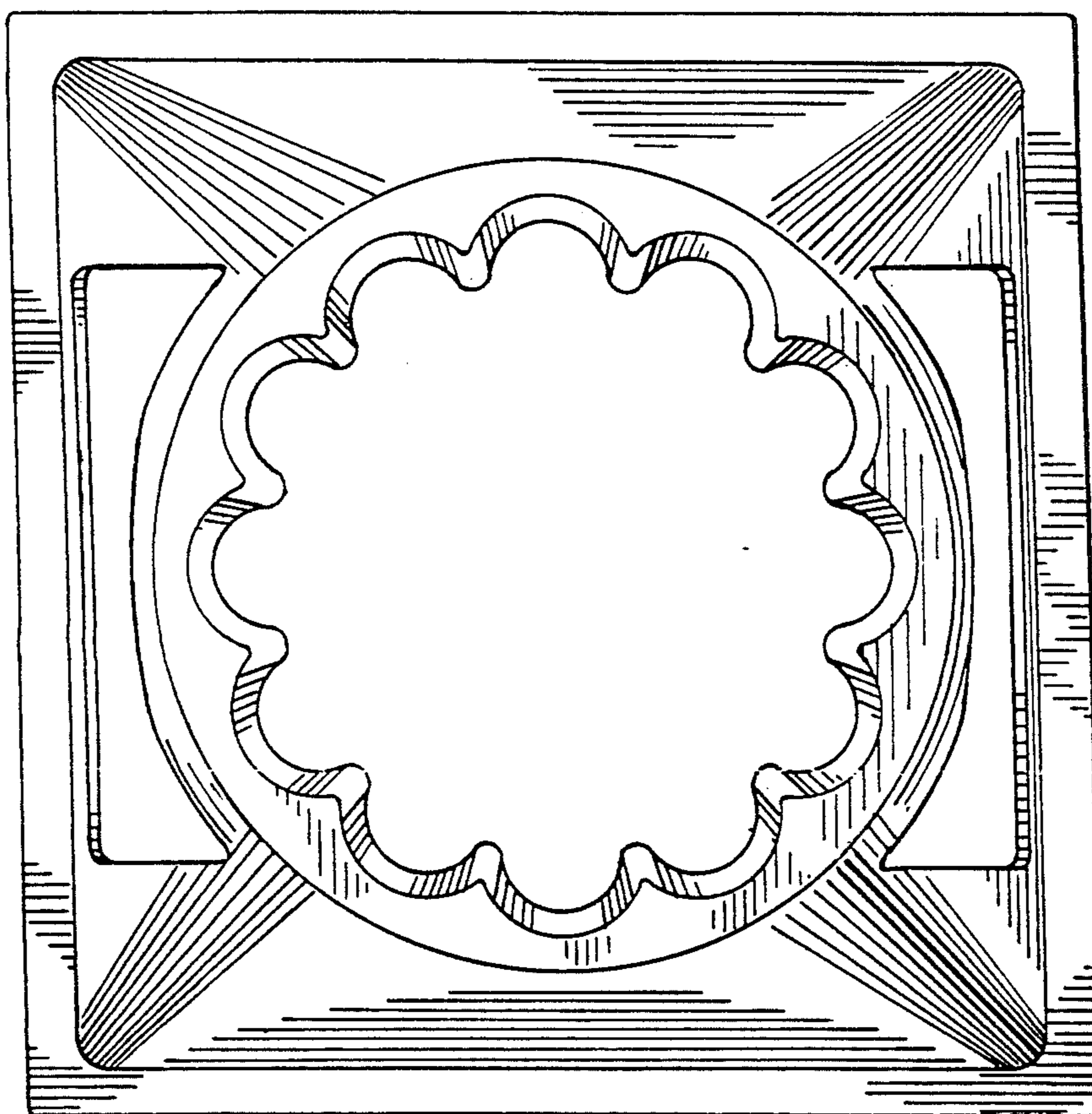


Fig. 1



→ 6

Fig. 2



→ 6

Fig. 3

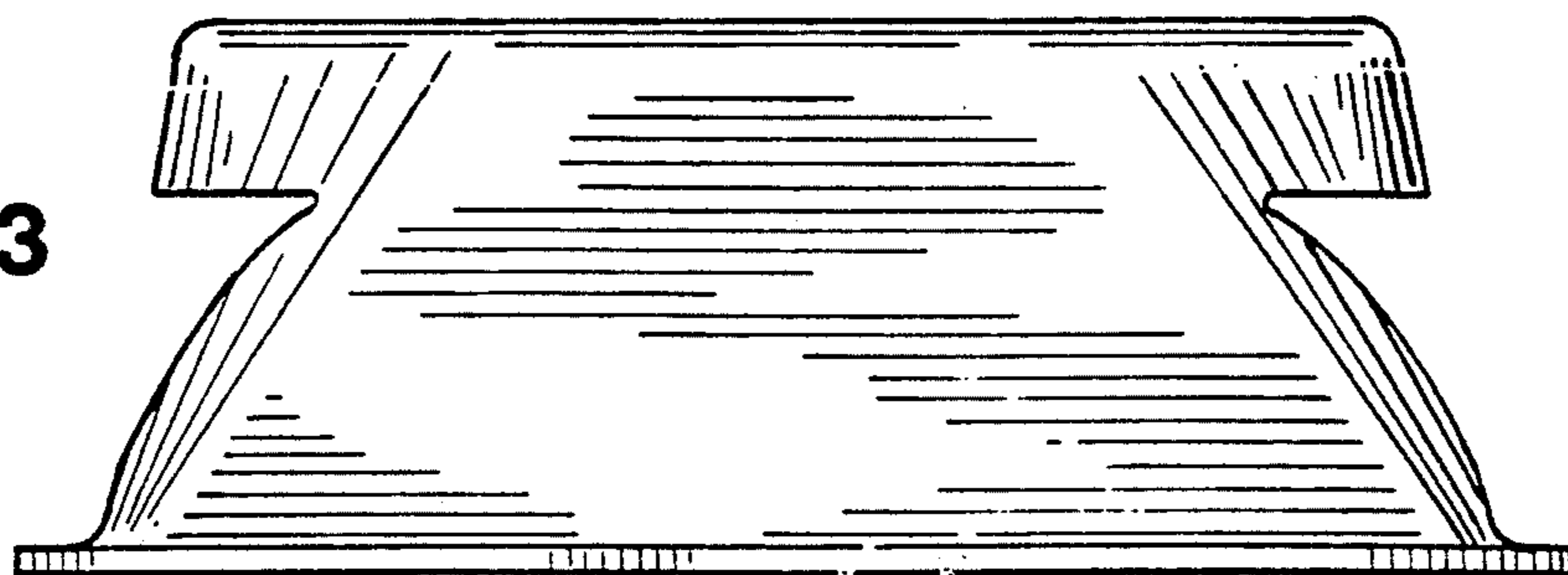


Fig. 4

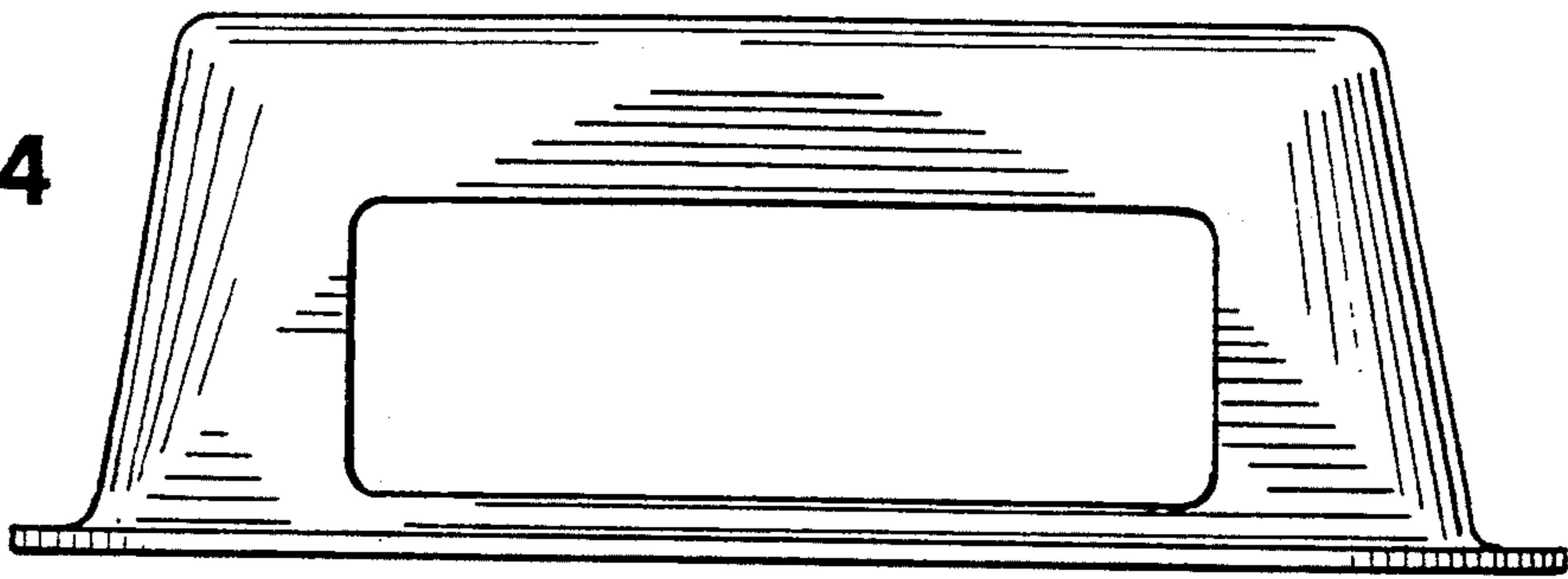


Fig. 5

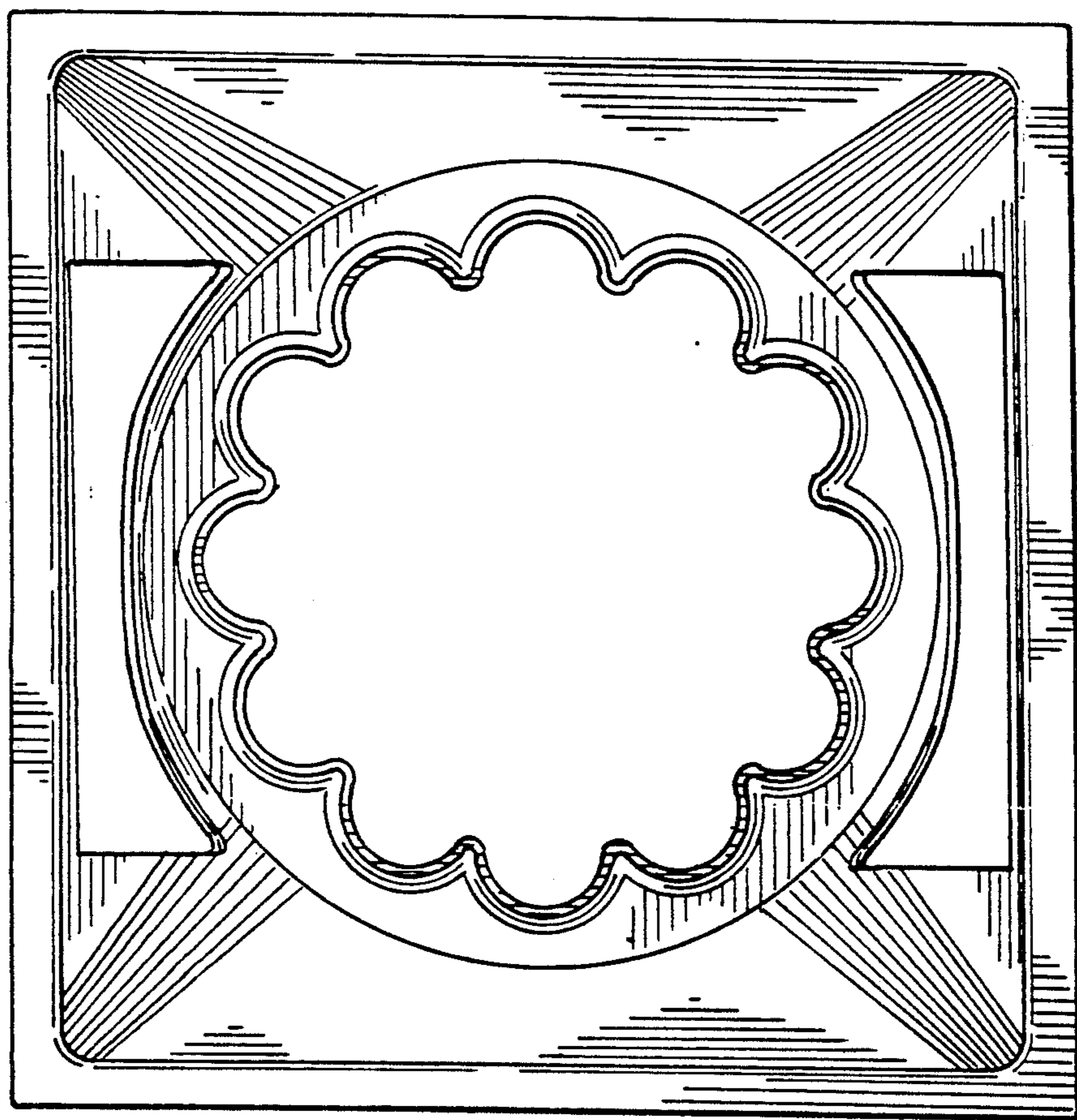


Fig. 6

