



US00D330148S

United States Patent [19]

[11] Patent Number: **Des. 330,148**

Pinkston

[45] Date of Patent: **** Oct. 13, 1992**

[54] LUNCHBOX INSERT

3,384,263 5/1968 Bernstein D7/629 X

[76] Inventor: **James Pinkston**, 919 Mehlep La.,
Alexandria, Ala. 36250-6130

Primary Examiner—Terry A. Pfeffer
Attorney, Agent, or Firm—Terry M. Gernstein

[**] Term: **14 Years**

[57] **CLAIM**

[21] Appl. No.: **560,337**

The ornamental design for a lunchbox insert, as shown and described.

[22] Filed: **Jul. 30, 1990**

[52] U.S. Cl. **D7/629**

[58] Field of Search D7/538, 540, 542, 612-615,
D7/629; D9/414, 424; 220/306, 352, 356

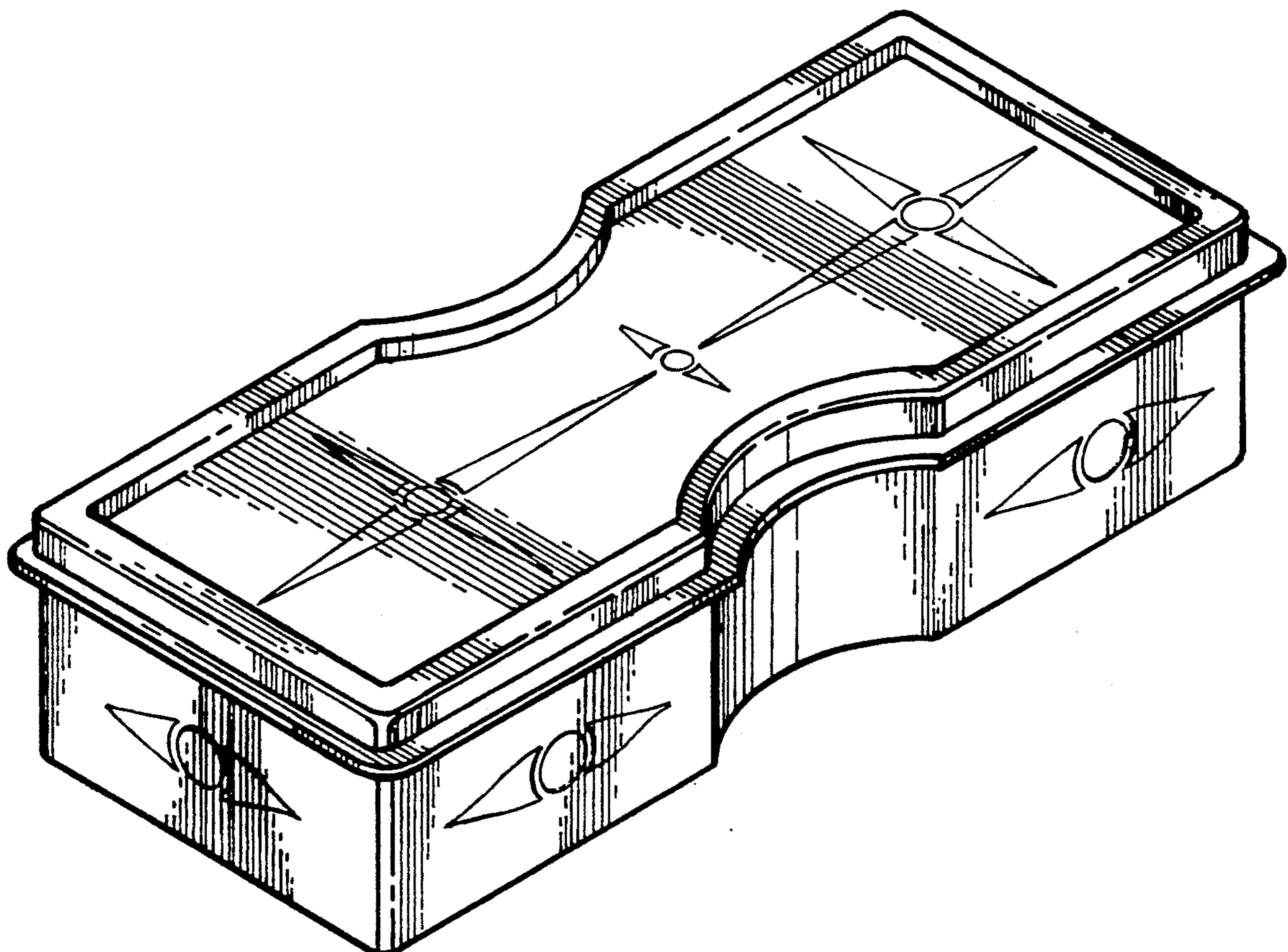
DESCRIPTION

[56] **References Cited**

U.S. PATENT DOCUMENTS

D. 224,554	8/1972	Swett	D7/542 X
3,305,126	2/1967	Cease	.	
3,381,876	5/1968	Biggins	.	
3,384,260	5/1968	Buffington	206/558

FIG. 1 is a perspective view of the lunchbox insert showing my new design;
 FIG. 2 is an exploded perspective view thereof;
 FIG. 3 is a front elevational view thereof, the opposite side being a identical;
 FIG. 4 is a side elevational view thereof, the opposite side being identical;
 FIG. 5 is a top plan view thereof; and,
 FIG. 6 is a bottom plan view thereof.



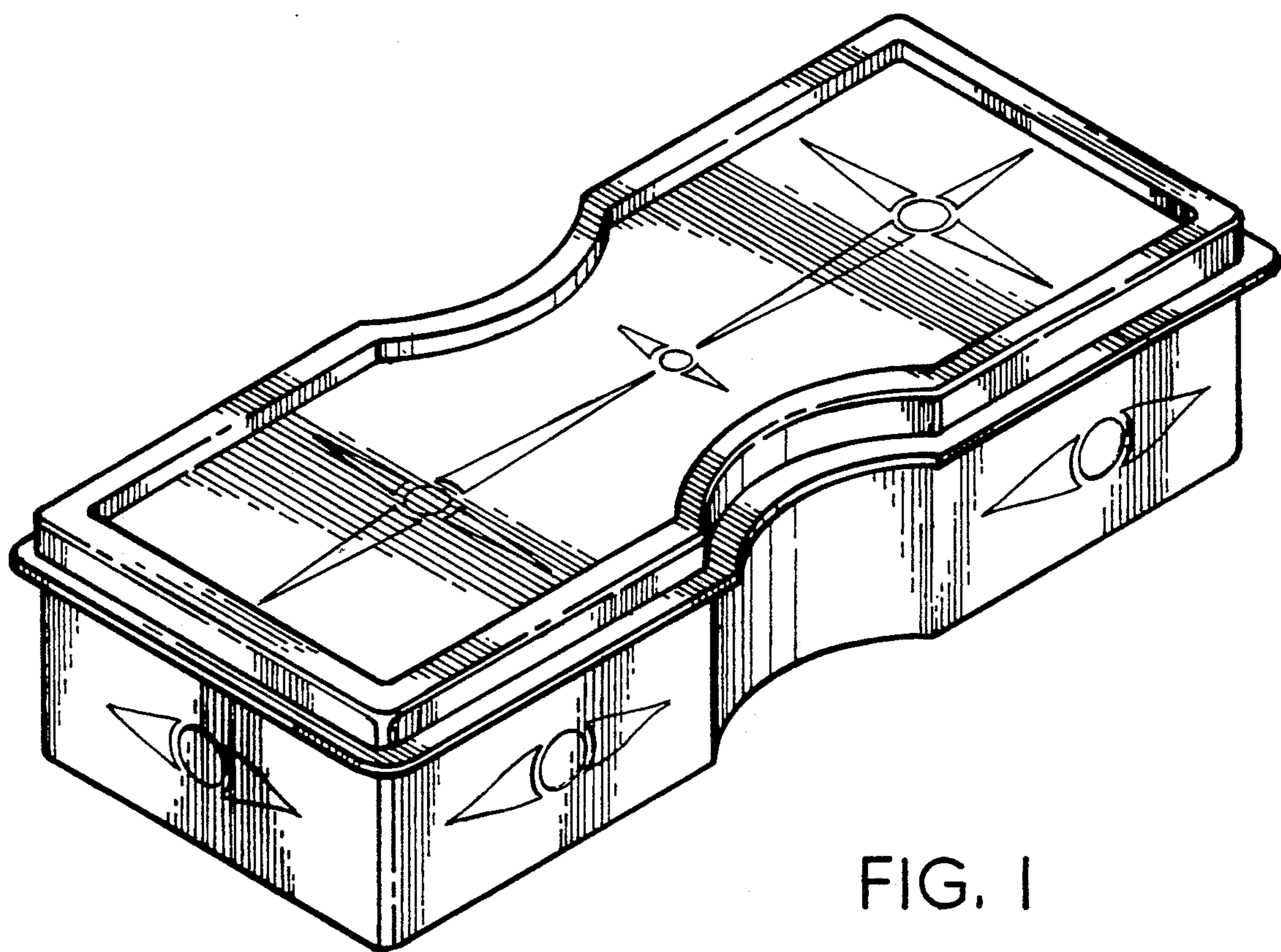


FIG. 1

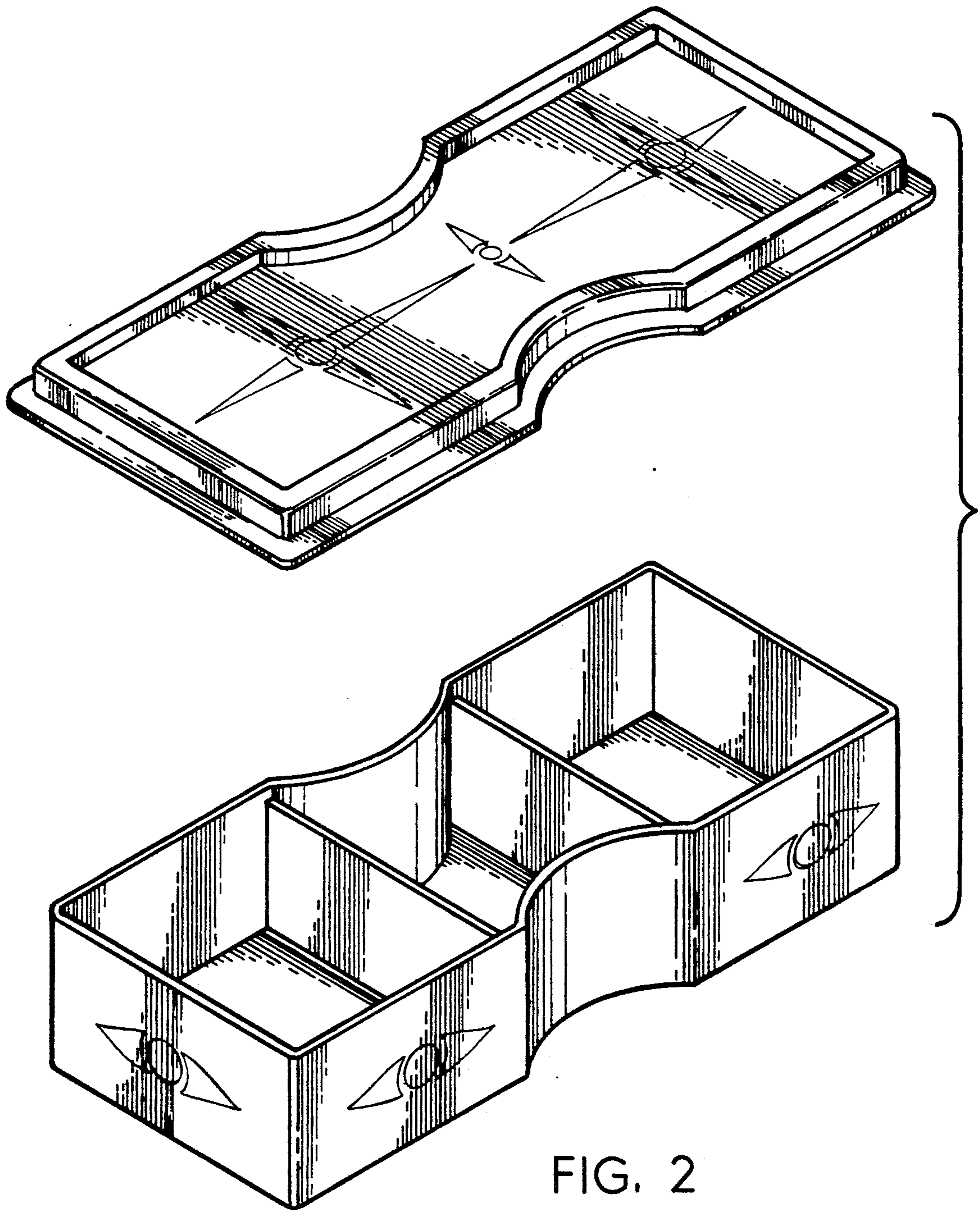


FIG. 2

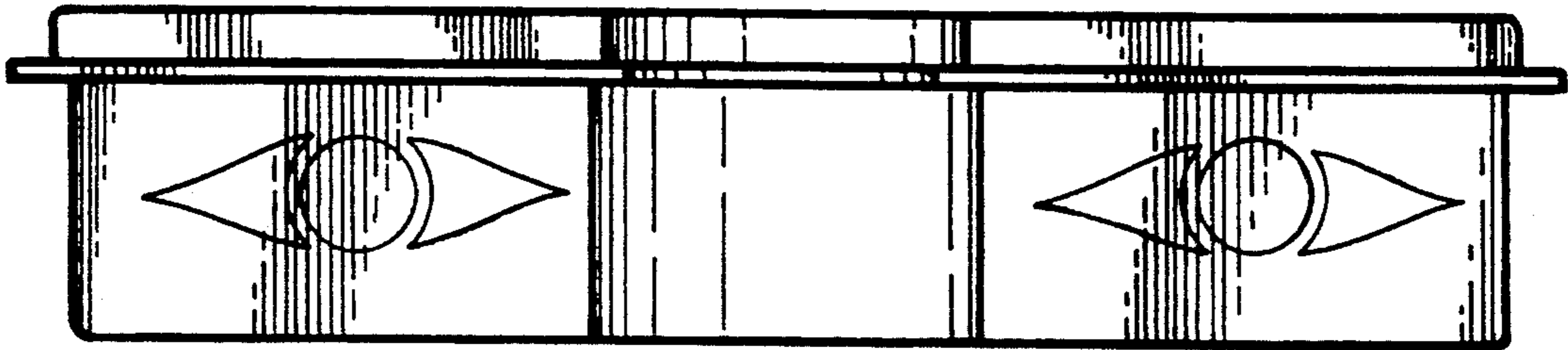


FIG. 3

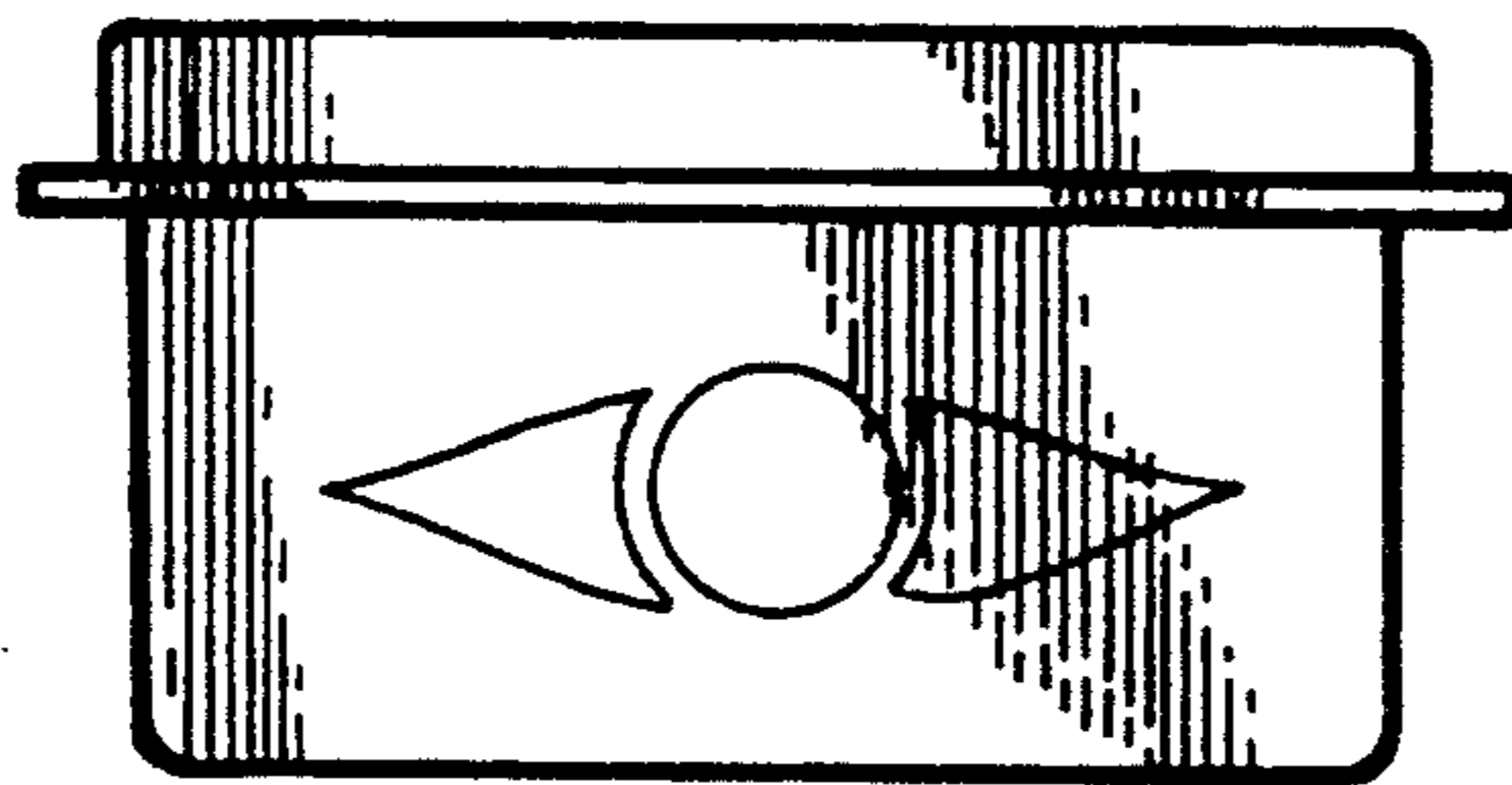


FIG. 4

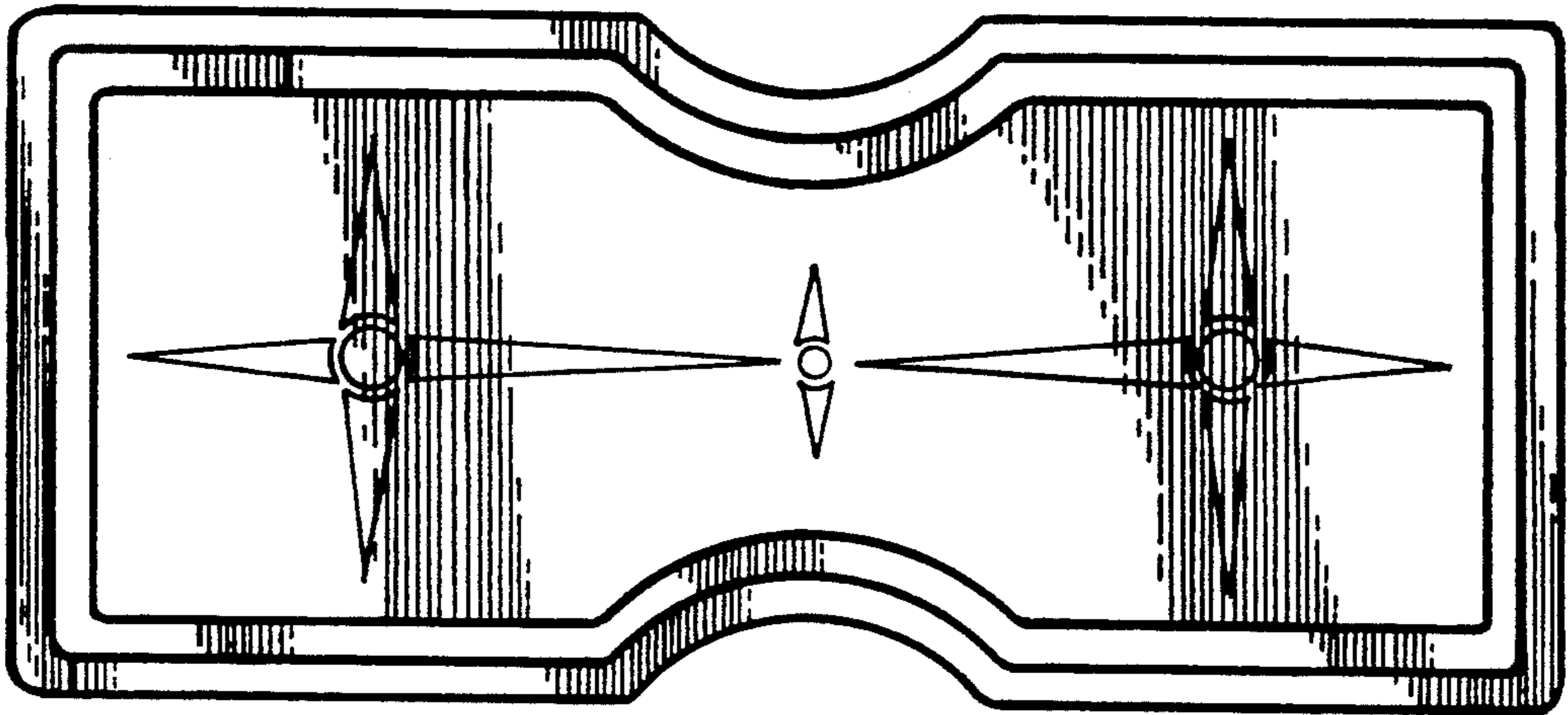


FIG. 5

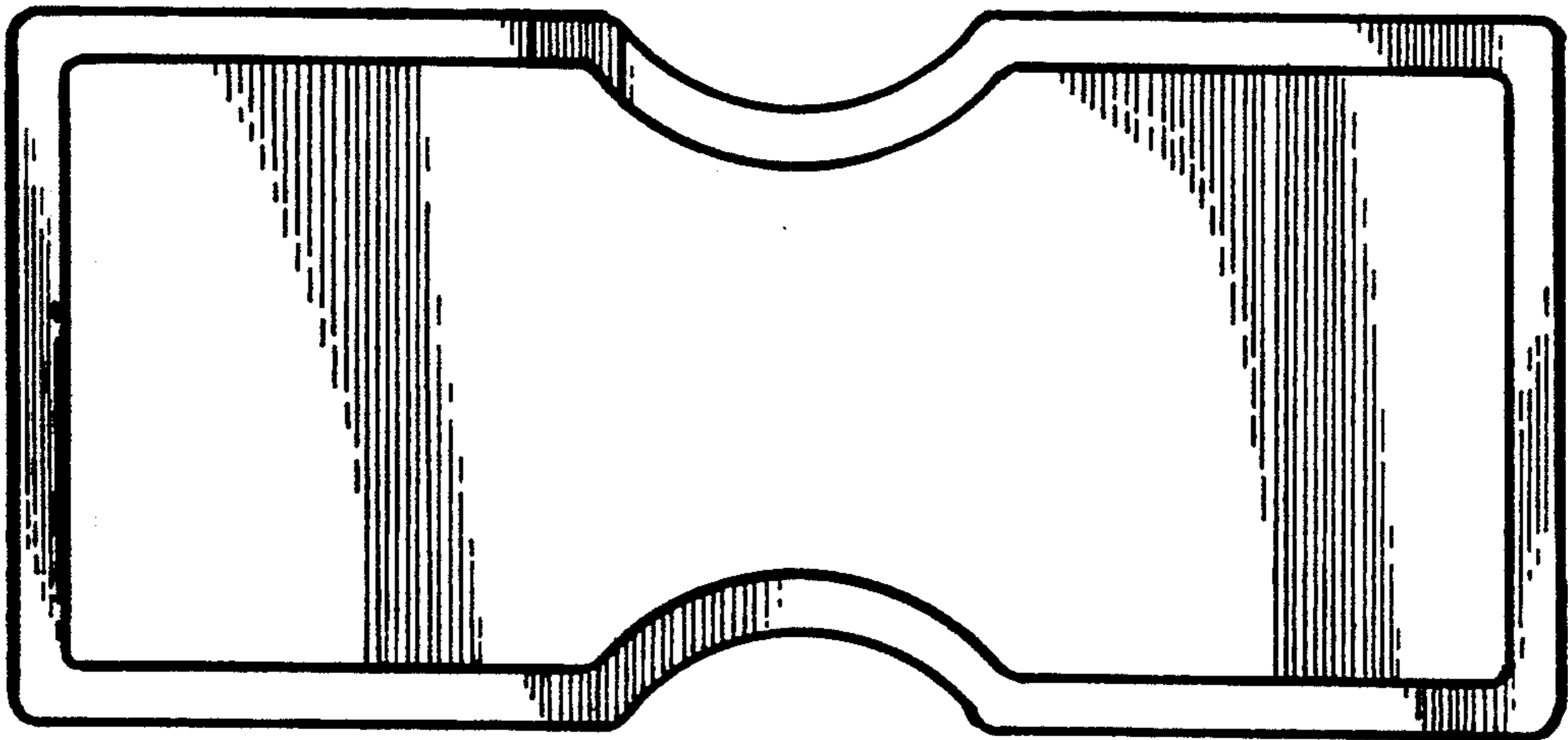


FIG. 6