



US00D330145S

# United States Patent [19]

[11] Patent Number: **Des. 330,145**

**Maass**

[45] Date of Patent: **\* Oct. 13, 1992**

[54] **FOOD PROCESSOR**

[75] Inventor: **Rudolf Maass**, Solingen, Fed. Rep. of Germany

[73] Assignee: **Robert Krups Stiftung & Co. KG.**, Solingen, Fed. Rep. of Germany

[\*] Notice: The portion of the term of this patent subsequent to Dec. 10, 2005 has been disclaimed.

[\*\*] Term: **14 Years**

[21] Appl. No.: **374,942**

[22] Filed: **Jun. 30, 1989**

[30] **Foreign Application Priority Data**

Jan. 4, 1989 [DE] Fed. Rep. of Germany ..... 8900019

[52] U.S. Cl. .... **D7/384; D7/376**

[58] Field of Search ..... **D7/376, 383, 384, 386, D7/412, 413; 241/37.5, 92, 292.1, 292.2, 169.1**

[56] **References Cited**

**U.S. PATENT DOCUMENTS**

D. 218,583 9/1970 Gilson ..... D7/378

- D. 296,860 7/1988 Maass ..... D7/384
- D. 297,901 10/1988 Barrault ..... D7/384
- D. 319,754 9/1991 Maass ..... D7/379
- D. 319,950 9/1991 Maass ..... D7/378
- 4,799,626 1/1989 Hickel et al. .... D7/384 X

**OTHER PUBLICATIONS**

*Hong Kong Enterprise*; Jun. 1983; p. 249; above left: Food Centre by Ngai Kwong Ind. Co. Ltd.

*Primary Examiner*—Donald P. Walsh  
*Assistant Examiner*—Caron D. Veynar  
*Attorney, Agent, or Firm*—Peter K. Kontler

[57] **CLAIM**

The ornamental design for a food processor, as shown and described.

**DESCRIPTION**

FIG. 1 is a left front and top perspective view of a food processor showing my new design;  
FIG. 2 is a front elevational view thereof;  
FIG. 3 is a rear elevational view thereof;  
FIG. 4 is a left side elevational view thereof;  
FIG. 5 is a right side elevational view thereof;  
FIG. 6 is a top plan view thereof; and,  
FIG. 7 is a bottom plan view thereof.

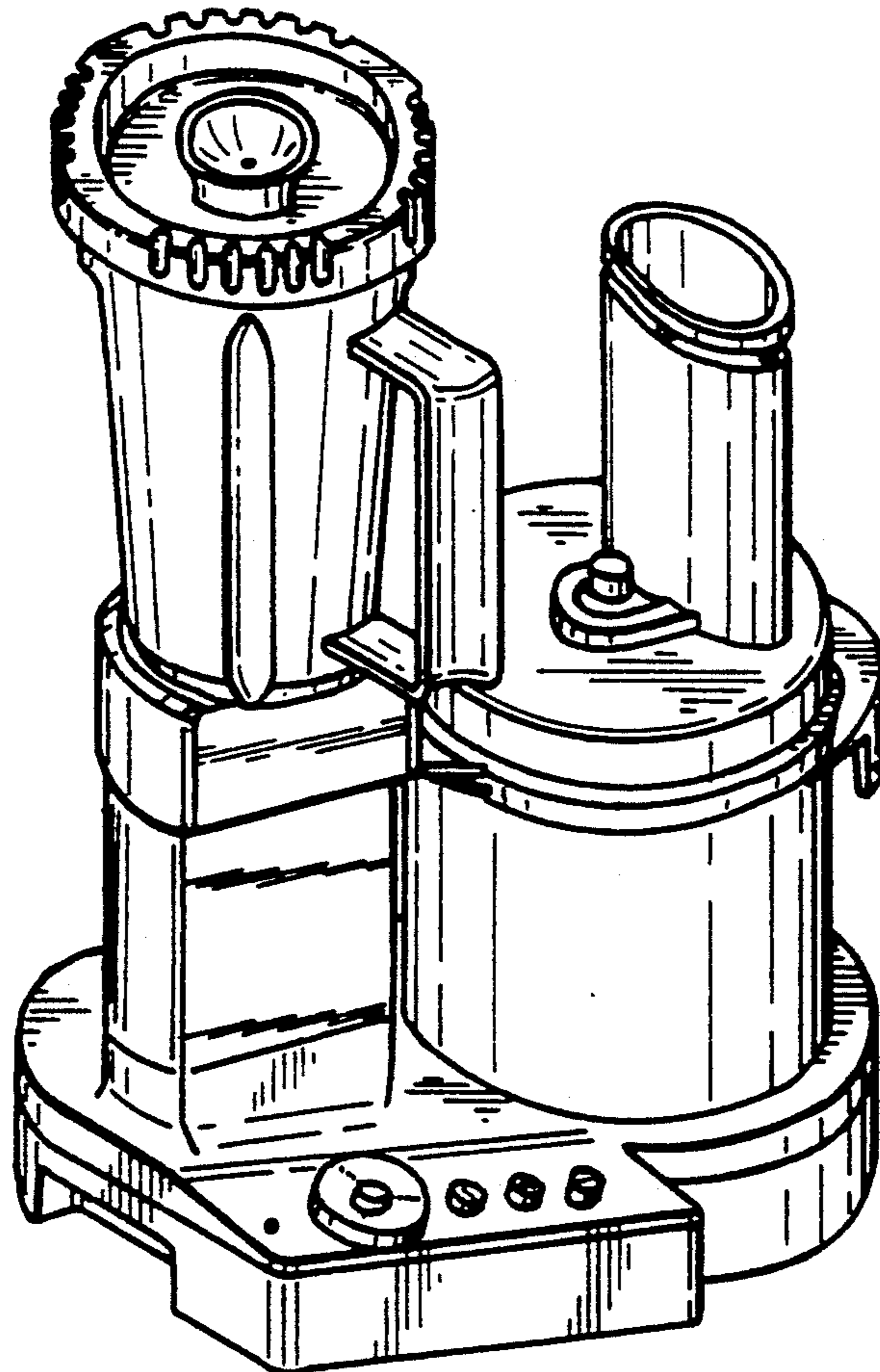


FIG. 1

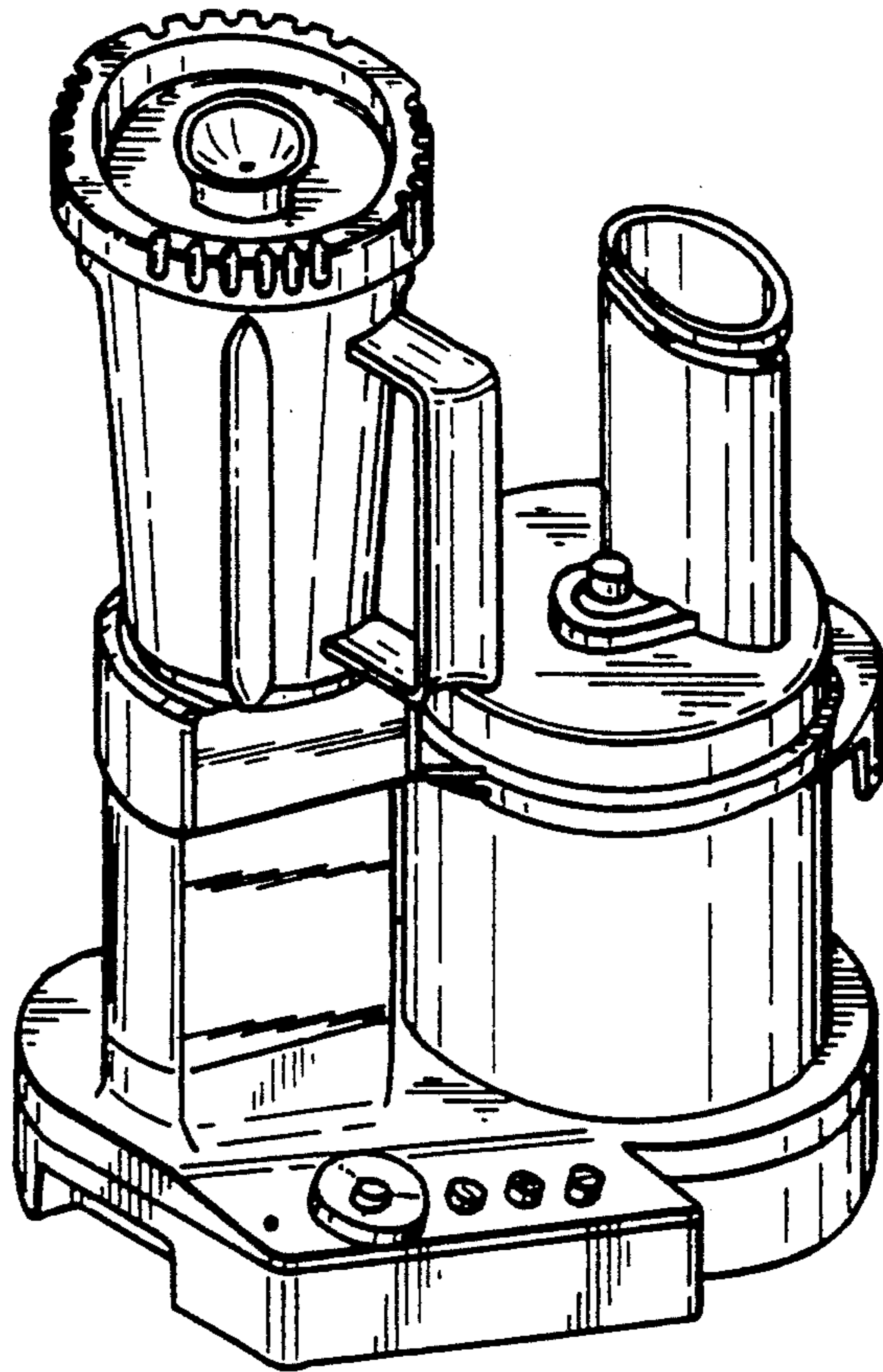


FIG. 2

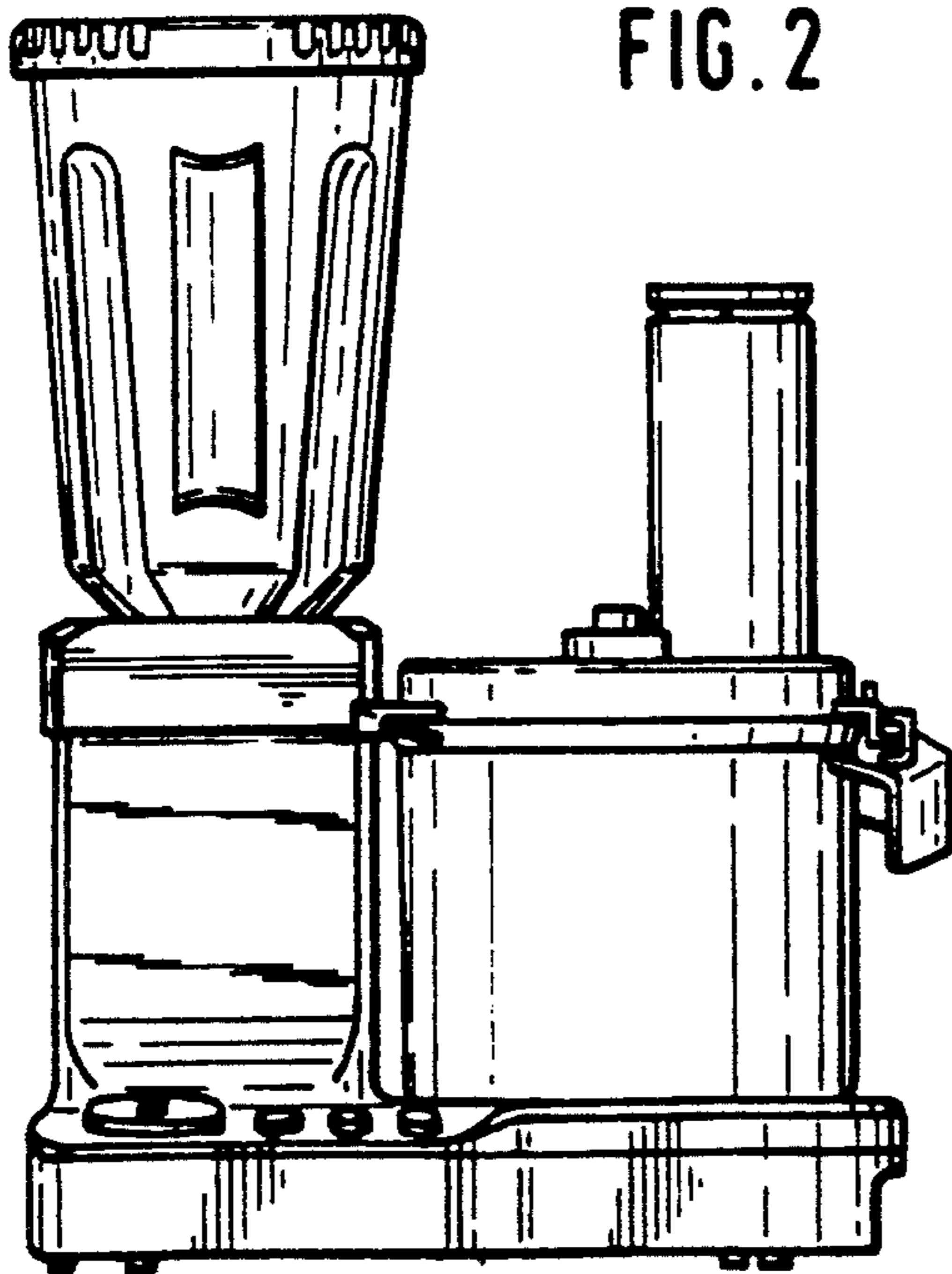


FIG. 3

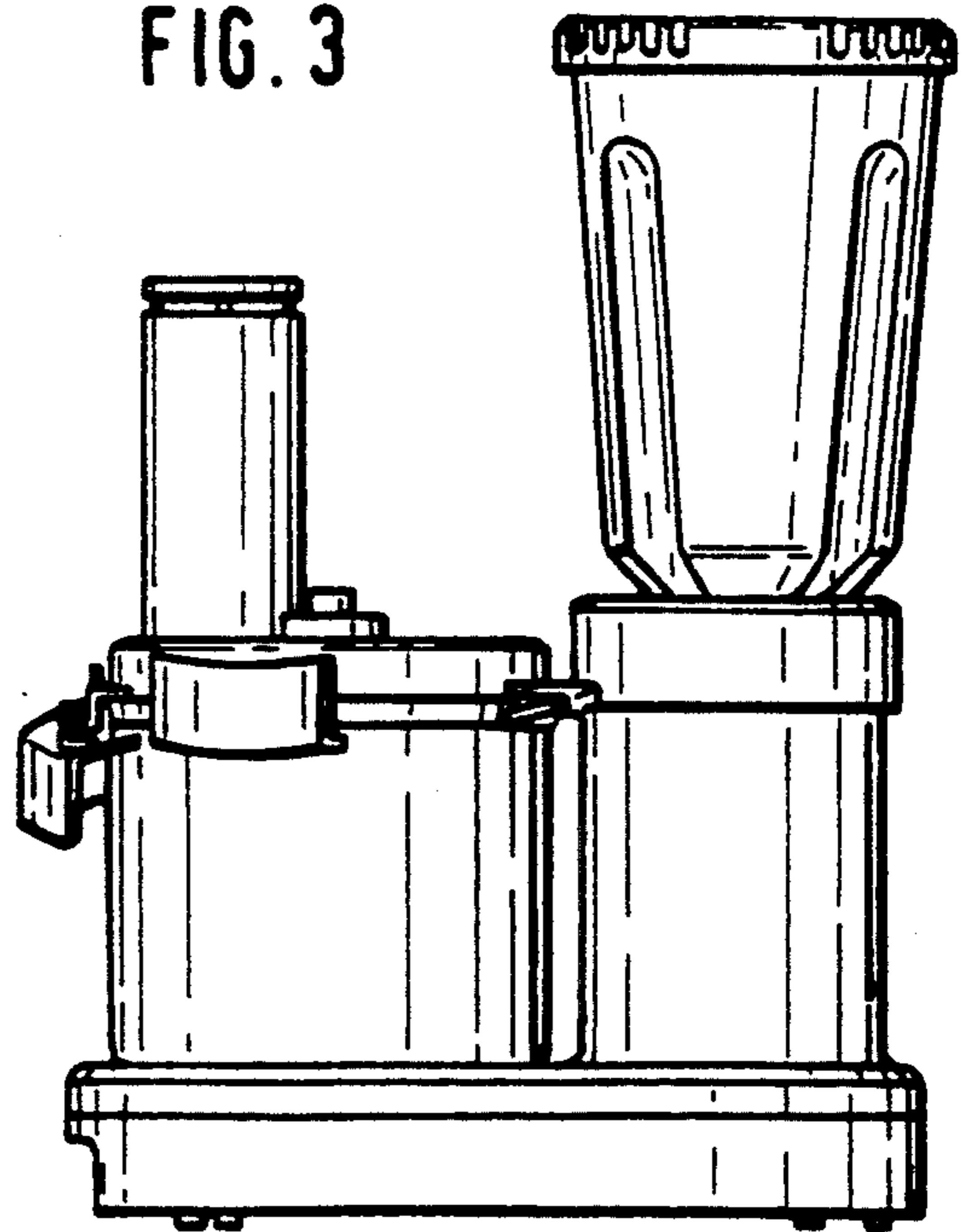


FIG. 4

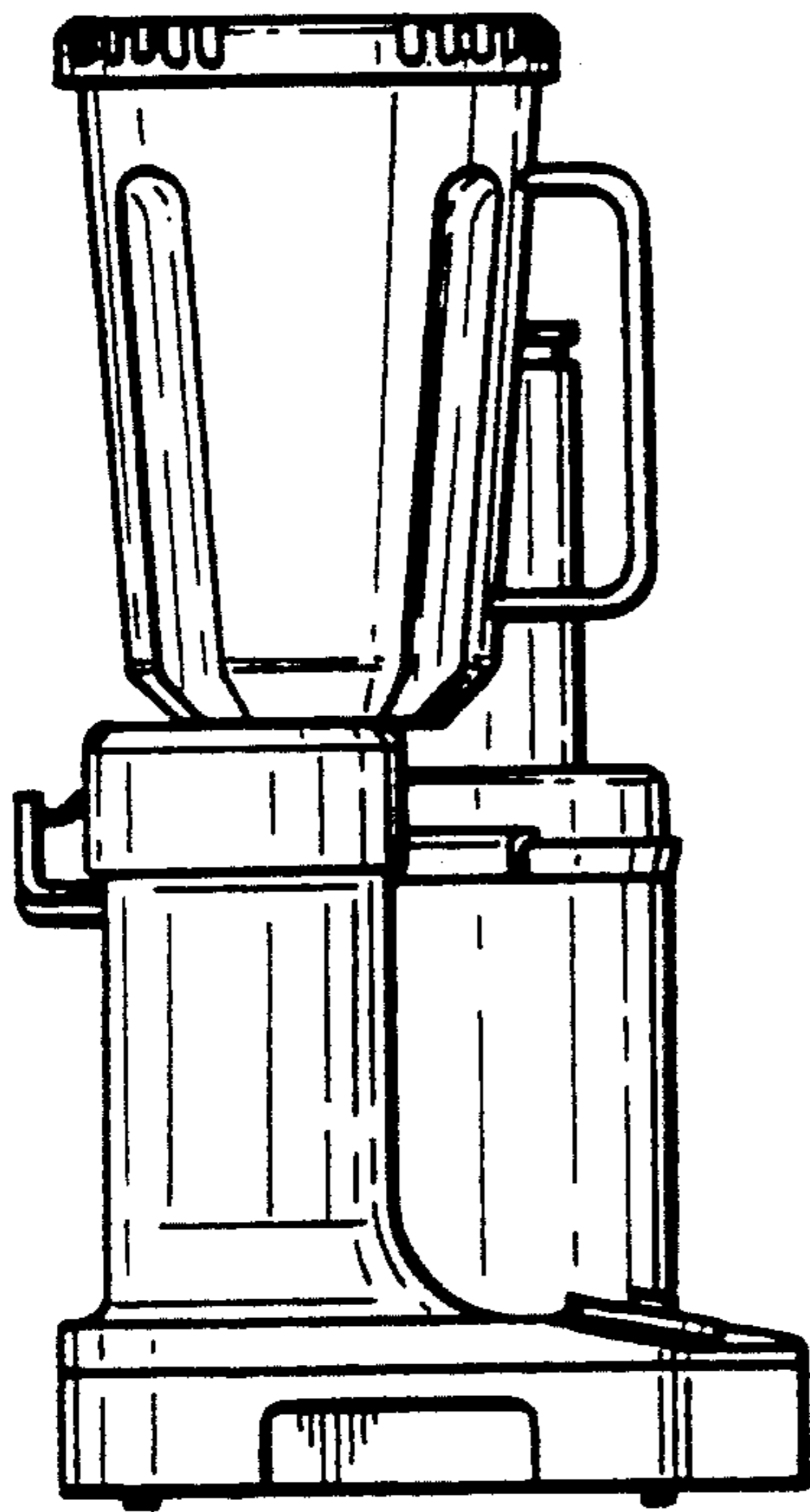


FIG. 5

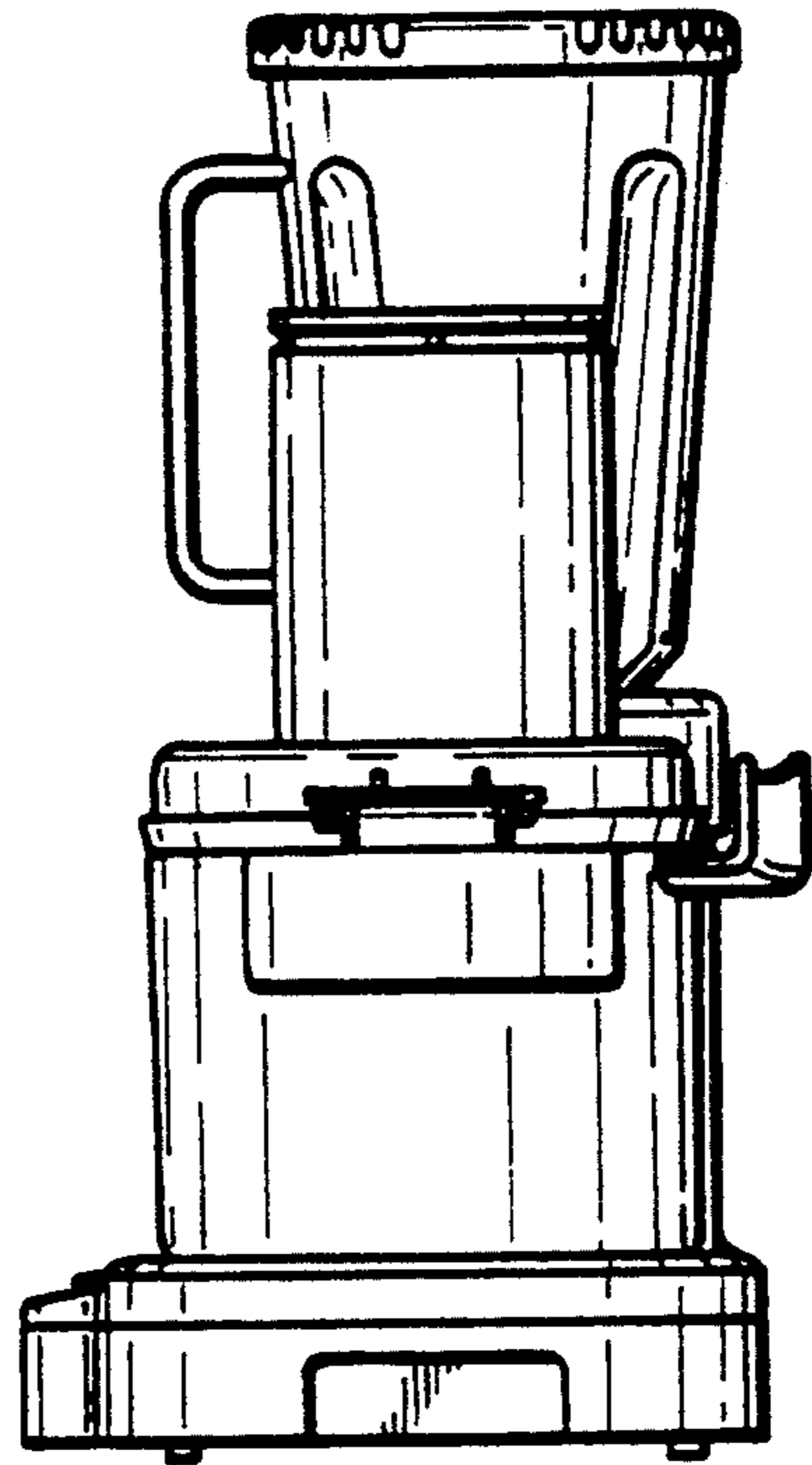


FIG. 6

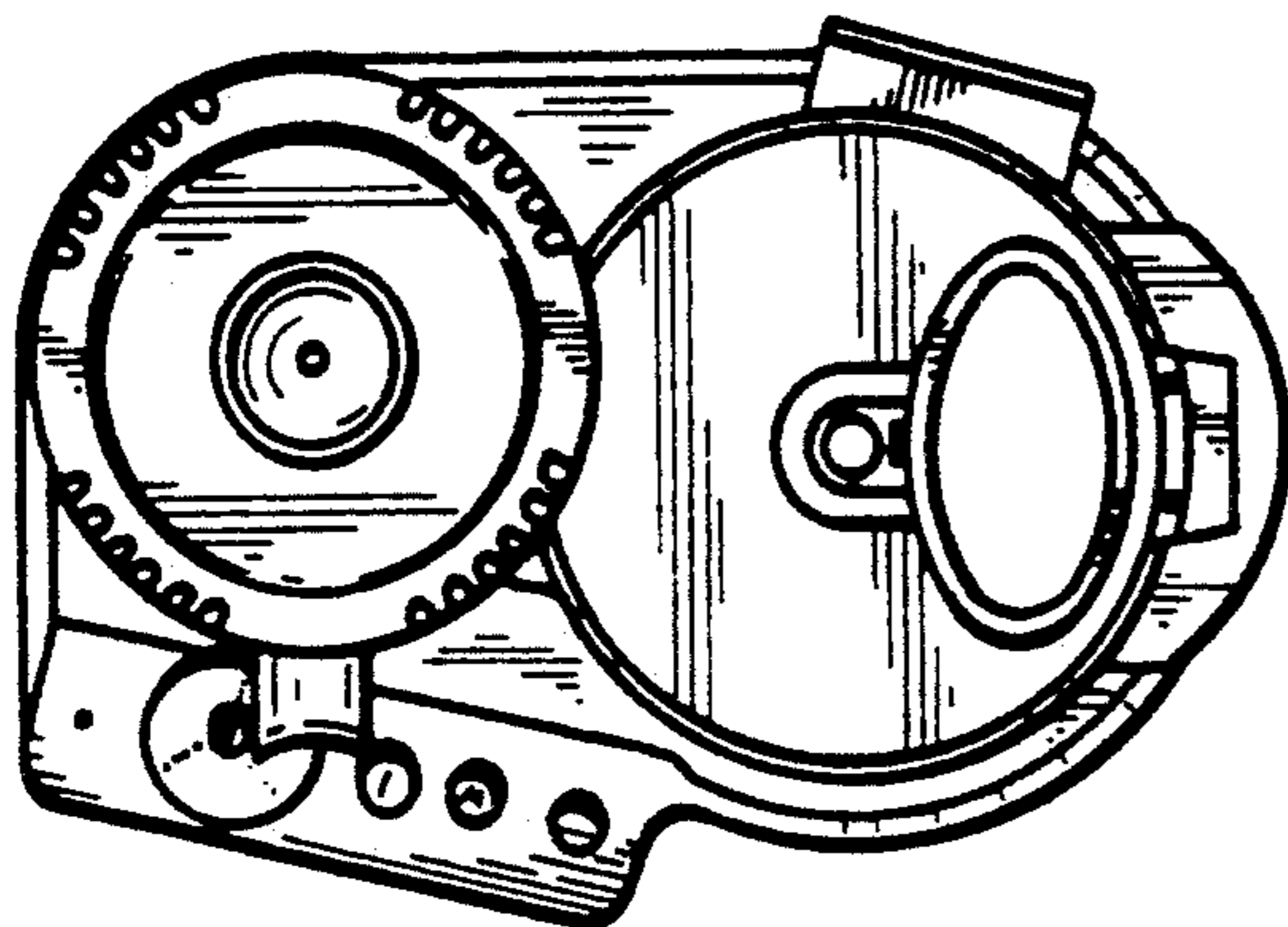


FIG. 7

