



US00D330137S

United States Patent [19]

[11] Patent Number: **Des. 330,137**

Sharpe

[45] Date of Patent: **** Oct. 13, 1992**

[54] COMBINED TOOTHBRUSH AND TUMBLER HOLDER

[76] Inventor: **Norton Sharpe, 10543 Garwood Pl., Los Angeles, Calif. 90024**

[**] Term: **14 Years**

[21] Appl. No.: **487,226**

[22] Filed: **Mar. 2, 1990**

[52] U.S. Cl. **D6/531**

[58] Field of Search **D6/524, 527-528, D6/531, 534-535; 211/13, 86-87, 80, 134; 108/150-152; 248/309.1, 311.2, 360, 110, 111**

[56] References Cited

U.S. PATENT DOCUMENTS

- D. 278,586 4/1985 Thompson D6/531
- D. 299,095 12/1988 Gresens et al. D6/540 X
- D. 301,291 5/1989 Plant D6/527
- D. 312,183 11/1990 Chap et al. D6/531

OTHER PUBLICATIONS

Baldwin Bath catalogue (1987) p. 11 "Manhattan" support #3255-263.

Baldwin Bath catalogue (1987) p. 12 "Palm Springs" support #3215-030.

Primary Examiner—Brian N. Vinson
Attorney, Agent, or Firm—Lewis Anten

[57] CLAIM

The ornamental design for a combined toothbrush and tubler holder, showing may new design.

DESCRIPTION

FIG. 1 is a top, front, and left side exploded perspective view of a combined toothbrush and tubler holder showing my new design;

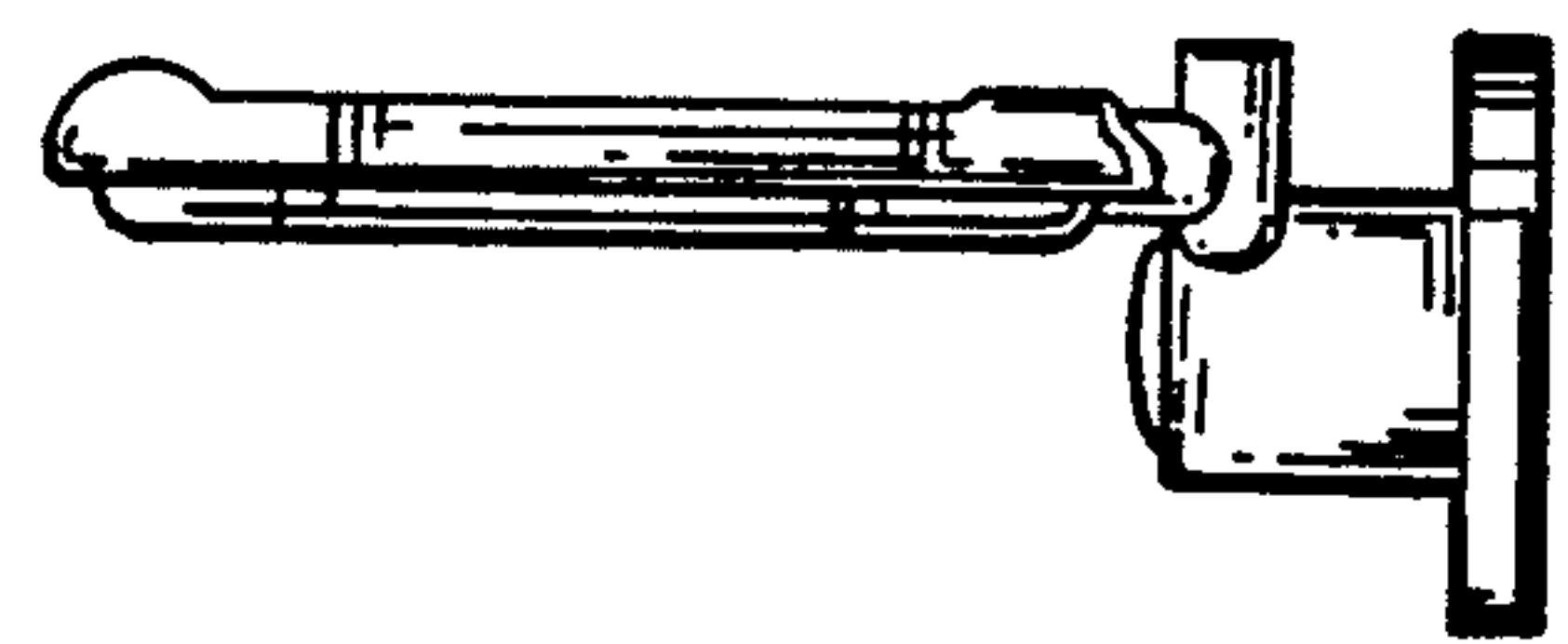
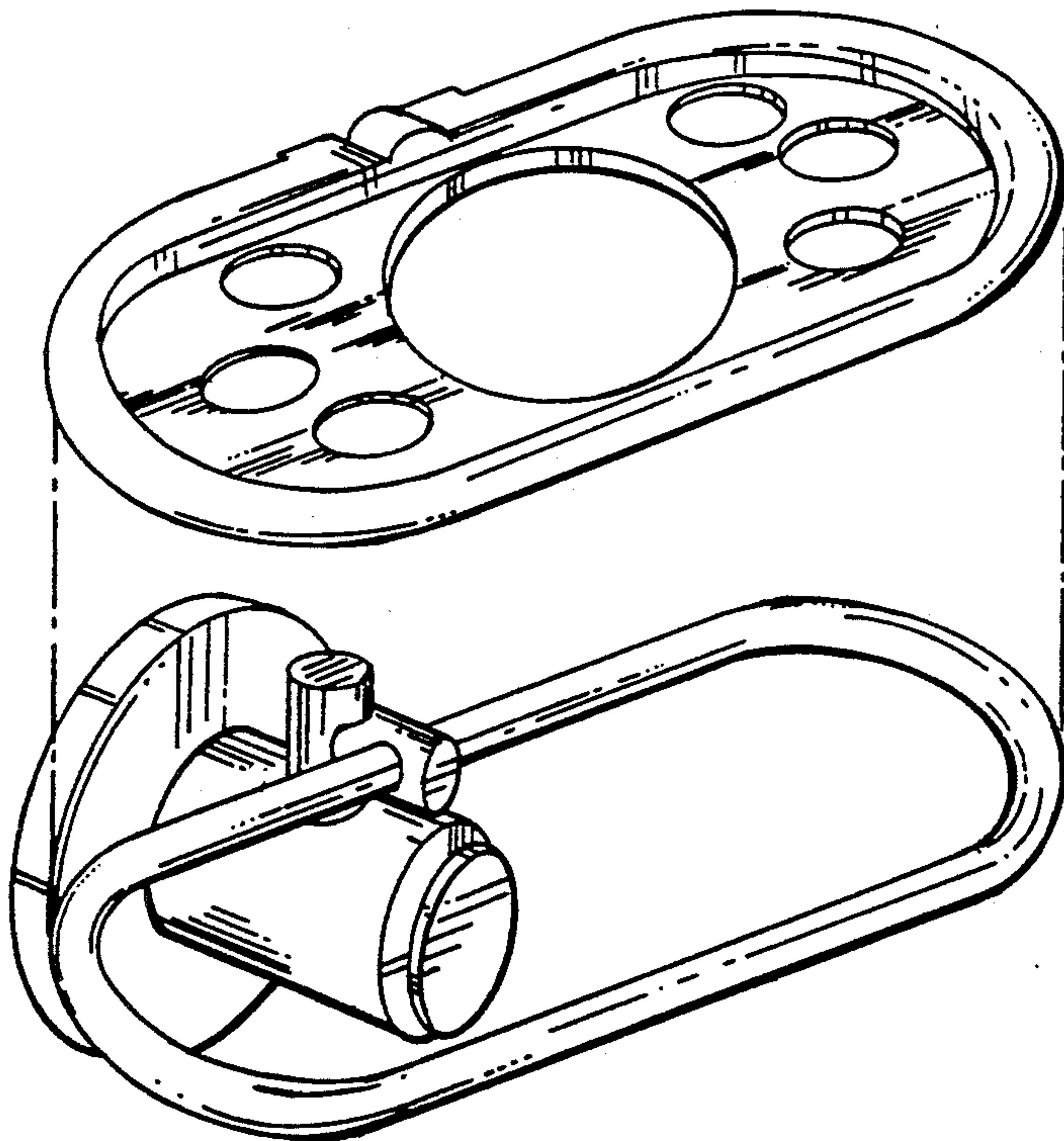
FIG. 2 is a reduced front elevational view thereof;

FIG. 3 is a reduced right side elevational view thereof, the left side being a mirror image of that shown;

FIG. 4 is a reduced rear elevational view thereof;

FIG. 5 is a reduced top plan view thereof; and,

FIG. 6 is a reduced bottom plan view thereof.



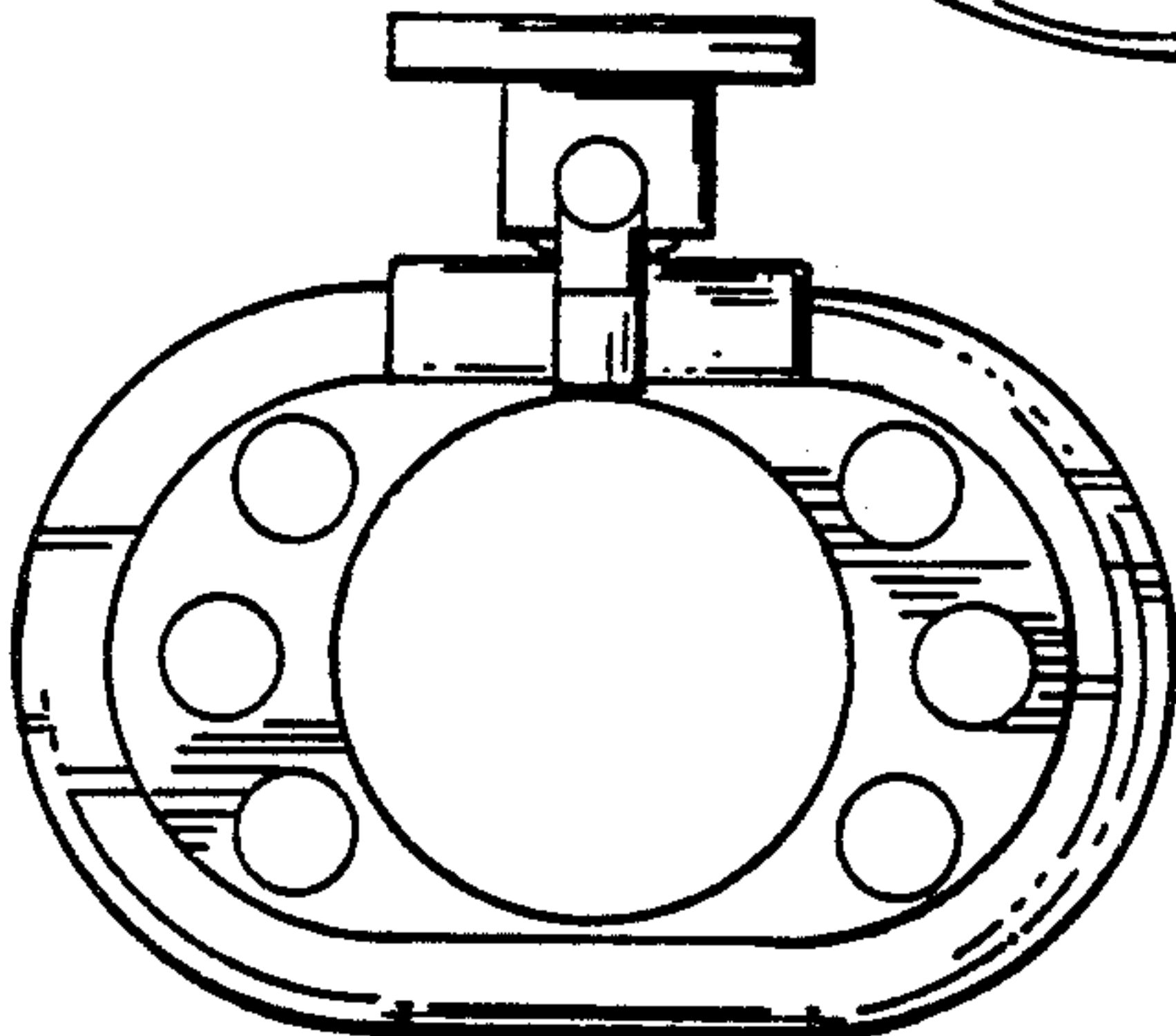
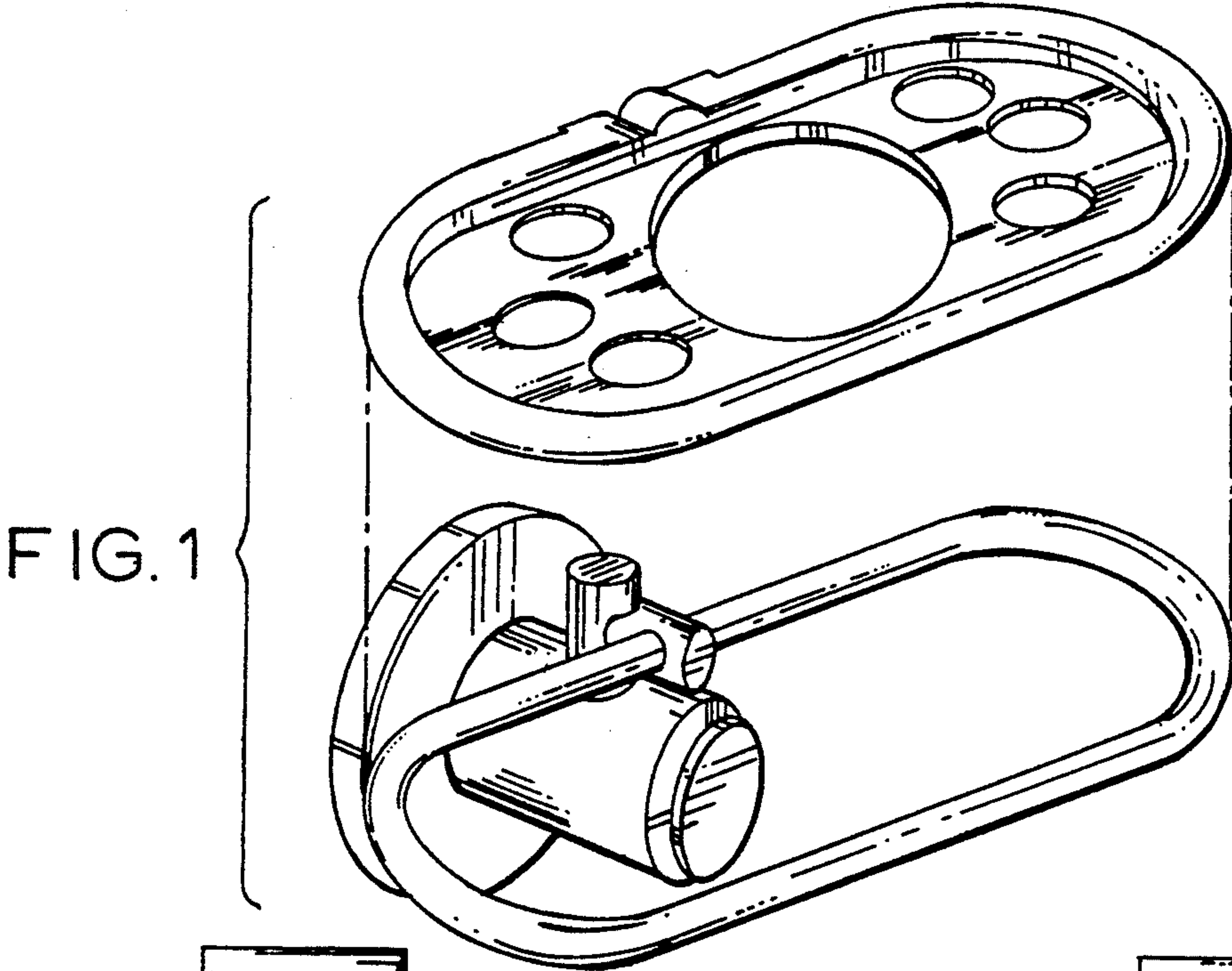


FIG. 5

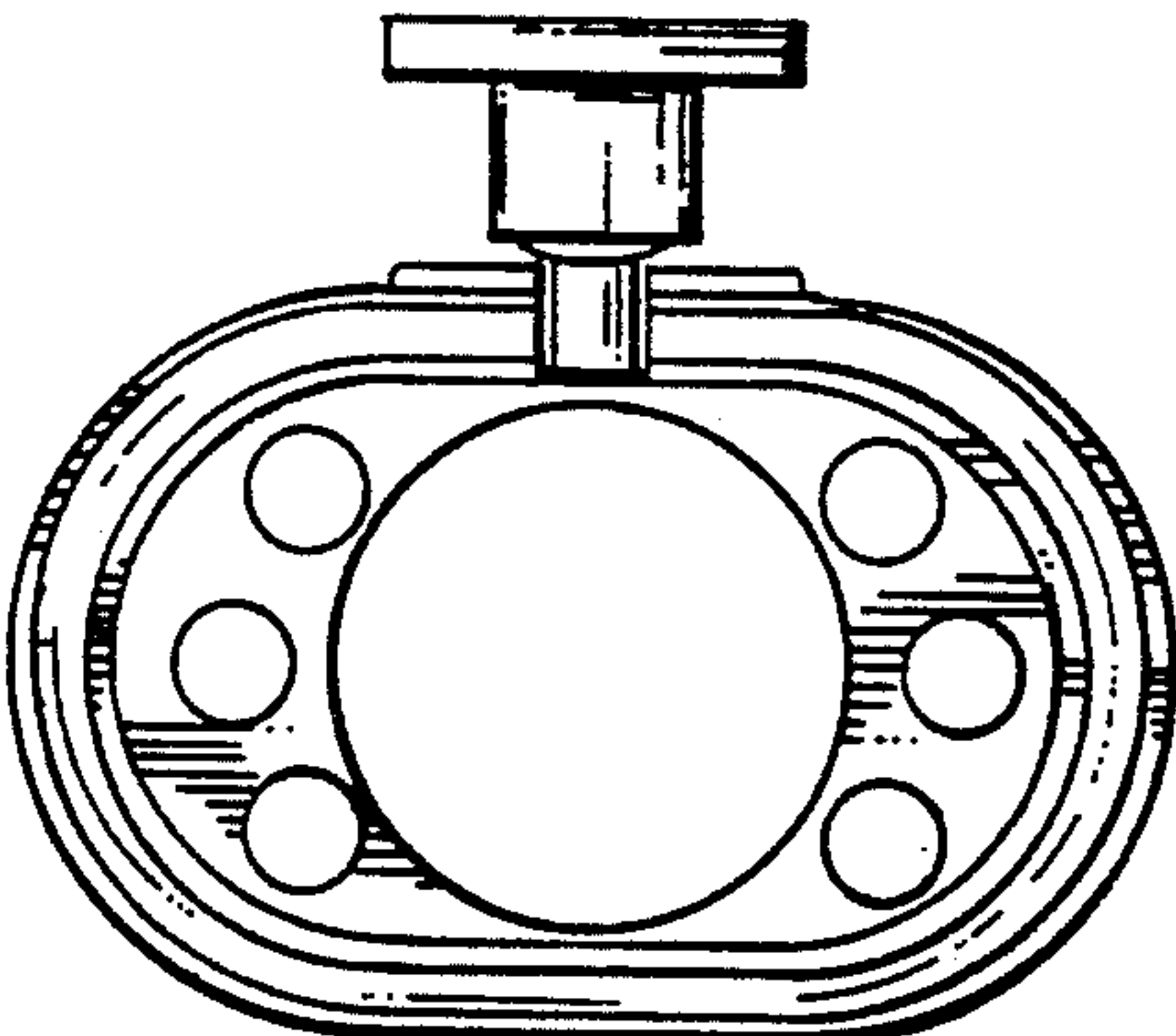


FIG. 6

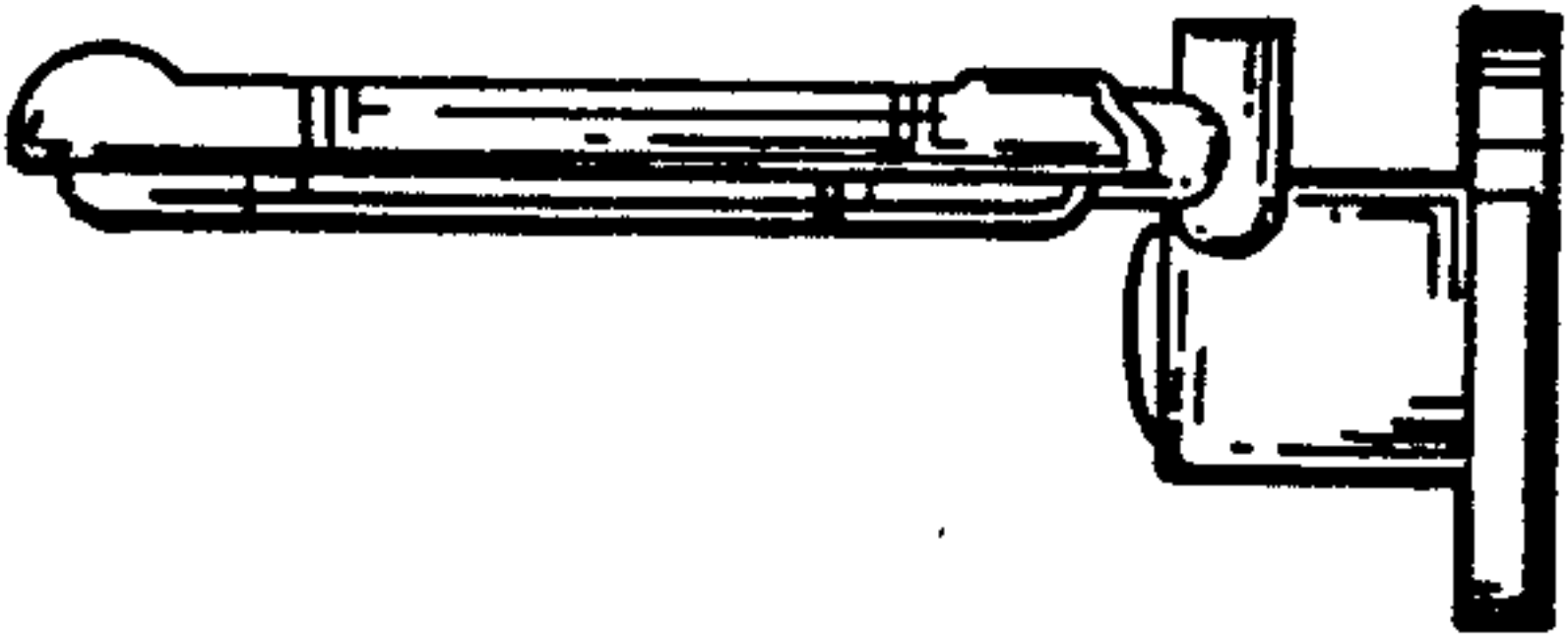


FIG. 3

FIG. 2

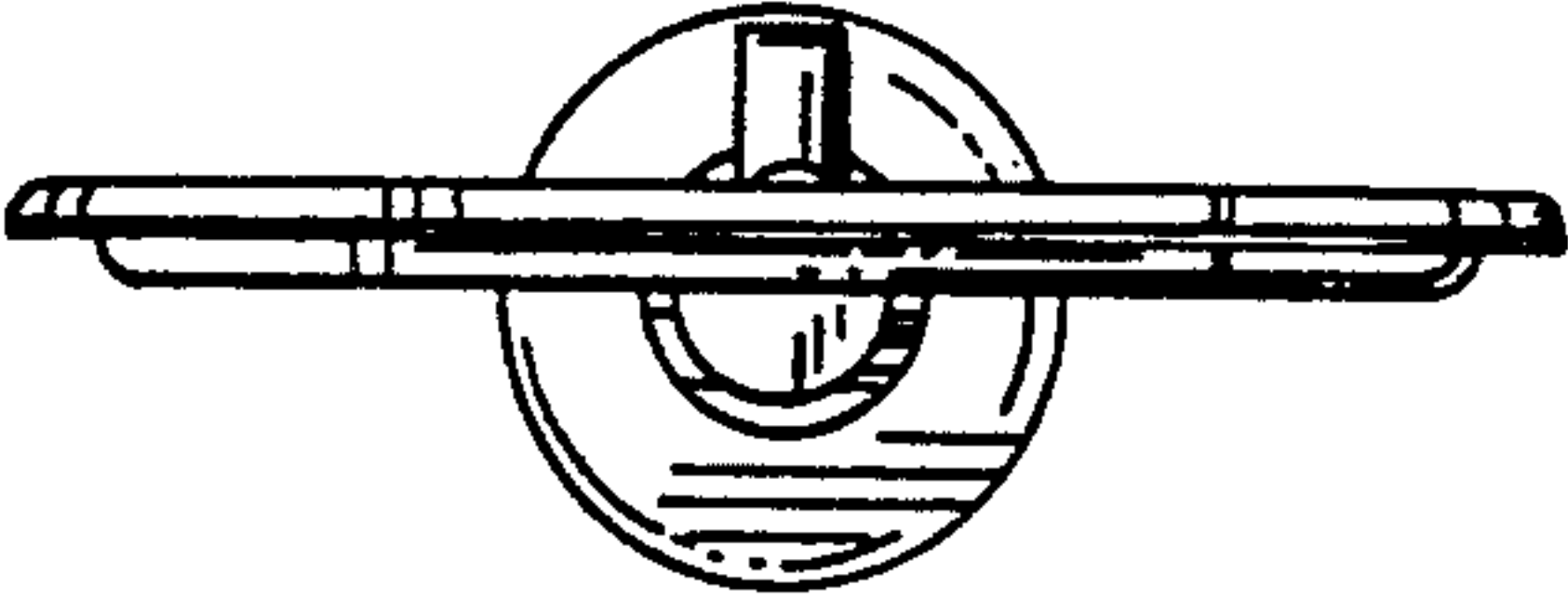


FIG. 4

