



US00D330135S

# United States Patent [19]

[11] Patent Number: **Des. 330,135**

Furner et al.

[45] Date of Patent: **\*\* Oct. 13, 1992**

[54] **COMPUTER CHASSIS RACK FOR ATTACHMENT TO A MOBILE COMPUTER CART**

4,234,094 11/1980 Jorgensen ..... D6/566 X

[75] Inventors: **Paul E. Furner, Tigard; Terry K. Jones, Portland, both of Oreg.**

*Primary Examiner*—Brian N. Vinson  
*Attorney, Agent, or Firm*—Stool Rives Boley Jones & Grey

[73] Assignee: **Anthro Corporation, Portland, Oreg.**

[57] **CLAIM**

[\*\*] Term: **14 Years**

The ornamental design for computer chassis a rack for attachment to a mobile computer cart, as shown and described.

[21] Appl. No.: **463,954**

**DESCRIPTION**

[22] Filed: **Jan. 10, 1990**

[52] U.S. Cl. .... **D6/513; D14/114; D6/566**

FIG. 1 is a top, front, and left side perspective view of a computer chassis rack for attachment to a mobile computer cart showing our new design, the broken-line disclosure of a portion of the computer cart being for illustrative purposes only and forming no part of the claimed design;

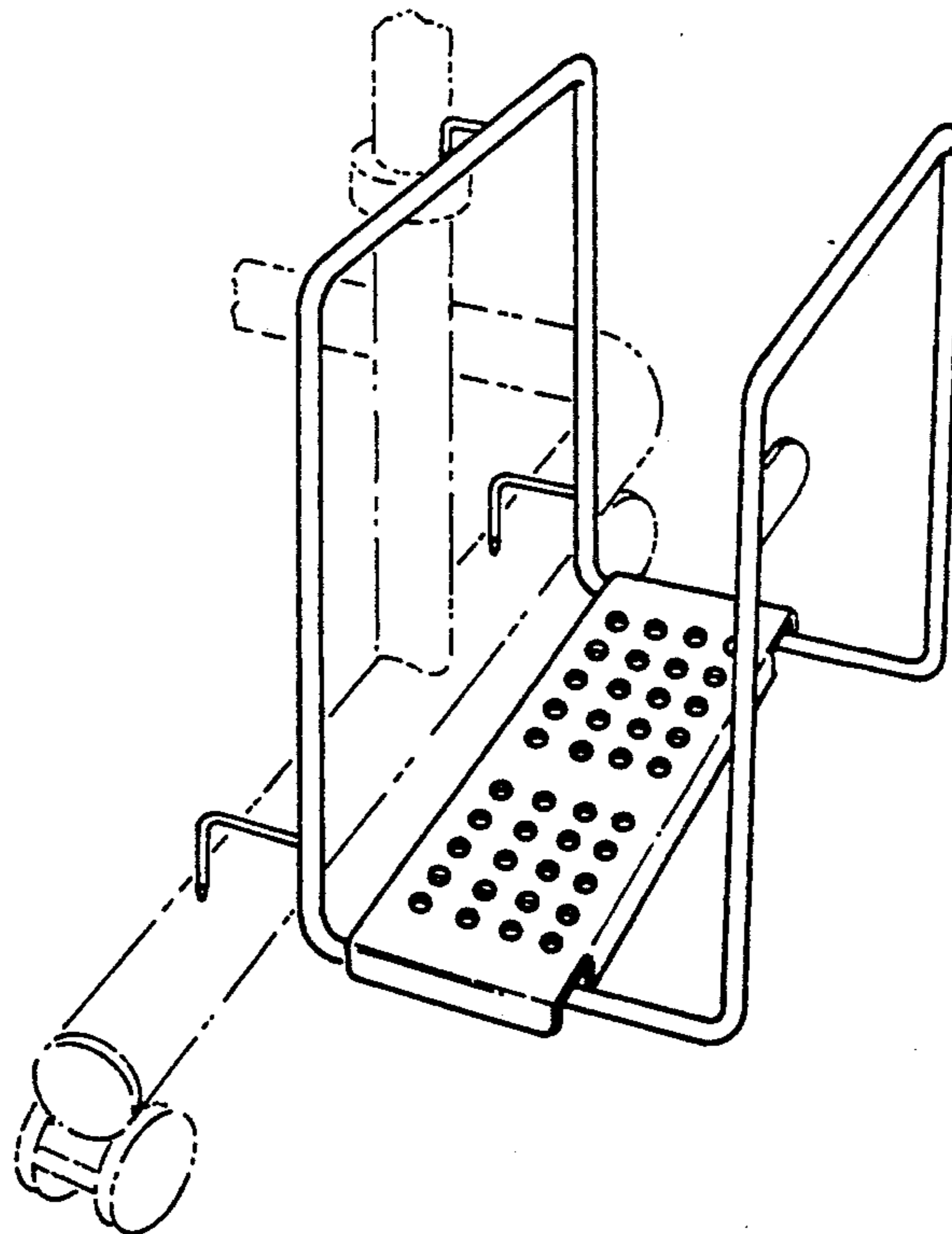
[58] Field of Search ..... **D14/114; D6/509-511, D6/552, 513, 553, 566-567; 211/13, 86, 88, 90, 106, 126, 134; 248/176; 248/176**

[56] **References Cited**

**U.S. PATENT DOCUMENTS**

- D. 289,353 4/1987 Davis et al. .... D6/566
- D. 320,980 10/1991 Howard et al. .... D14/114
- 4,122,955 10/1978 Celms ..... D6/566 X

FIG. 2 is an enlarged front elevational view thereof; FIG. 3 is an enlarged top plan view thereof; FIG. 4 is an enlarged rear elevational view thereof; FIG. 5 is an enlarged bottom plan view thereof; and, FIG. 6 is an enlarged left side elevational view thereof, the right side being a mirror image of that shown.



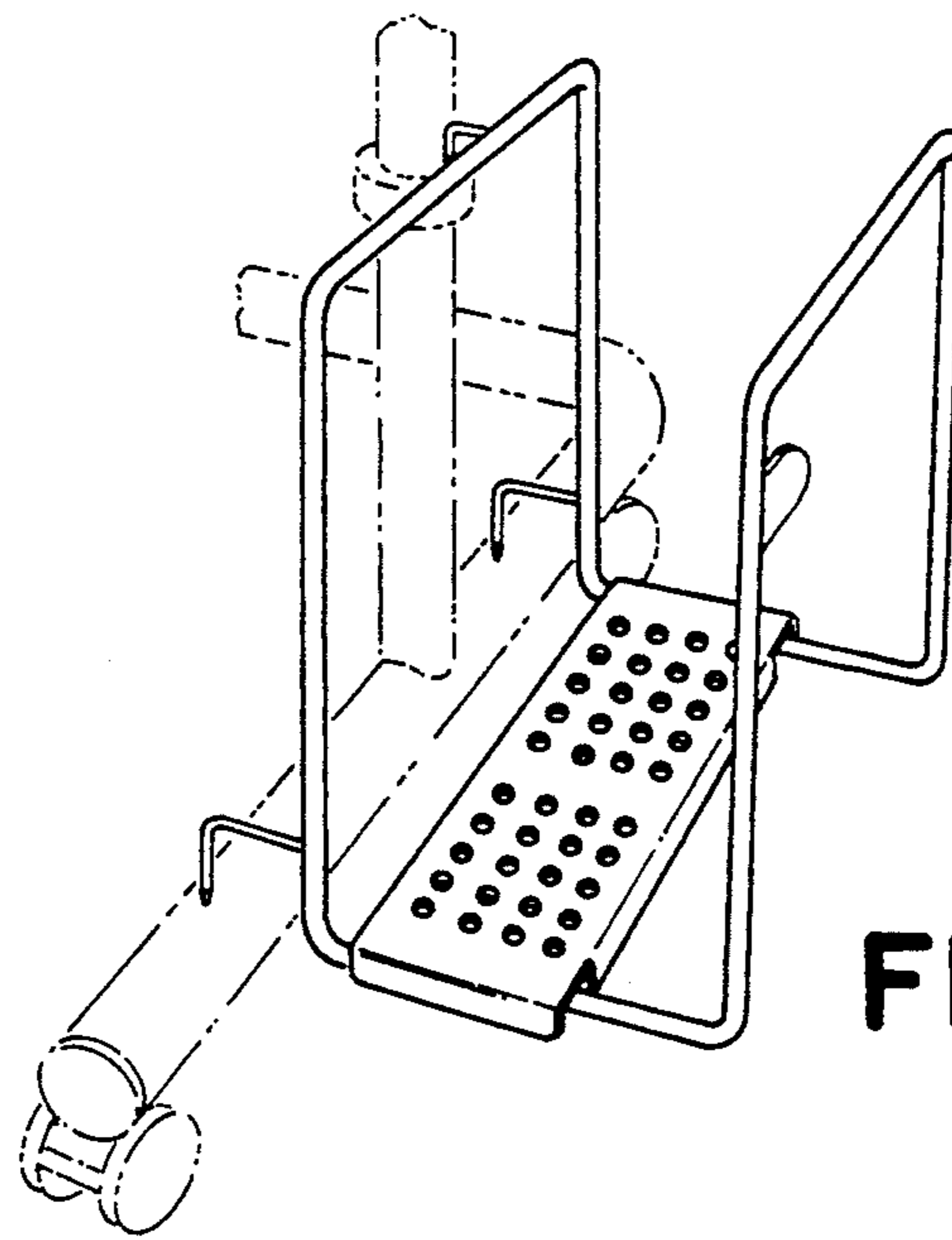


FIG. 1

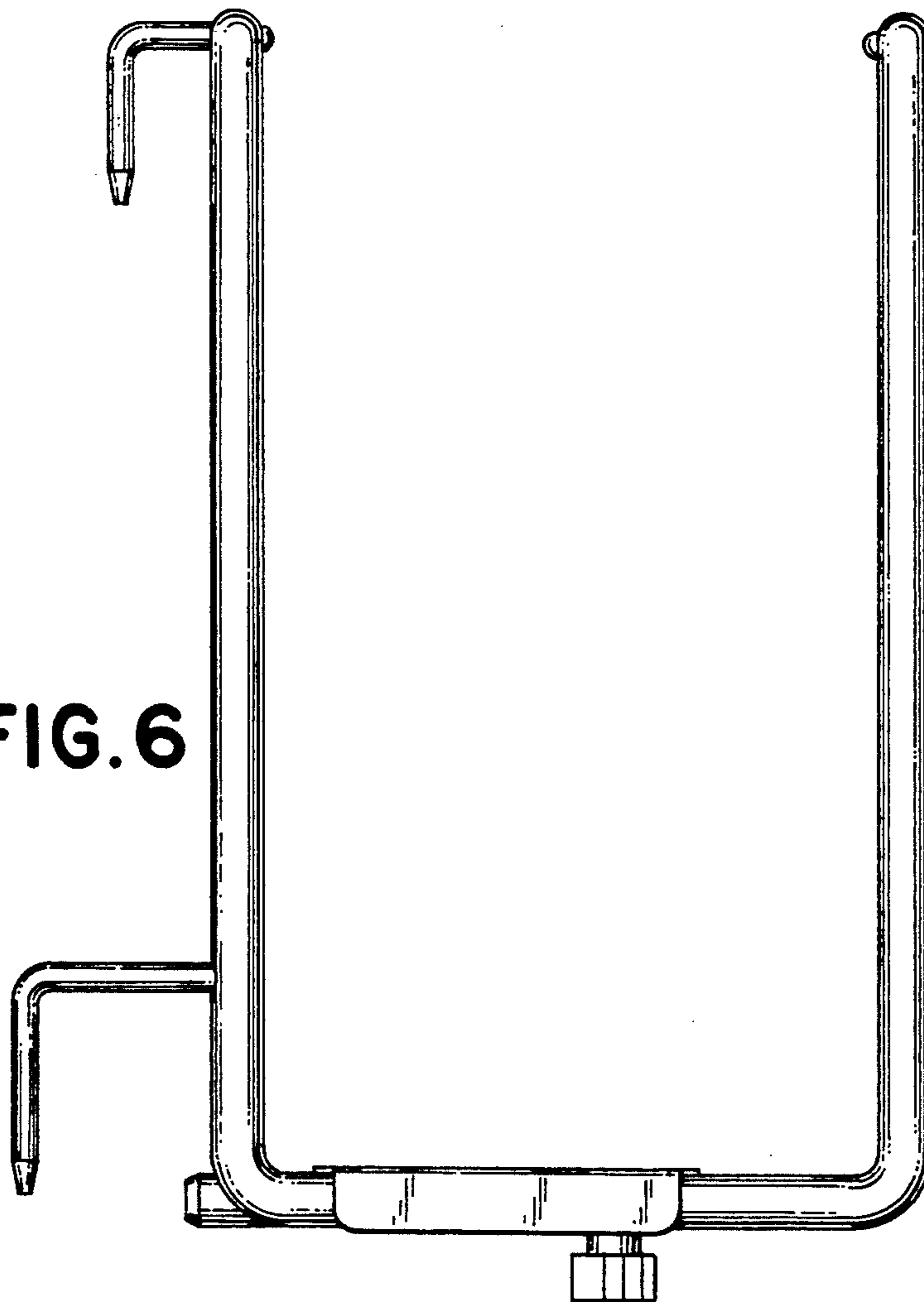


FIG. 6

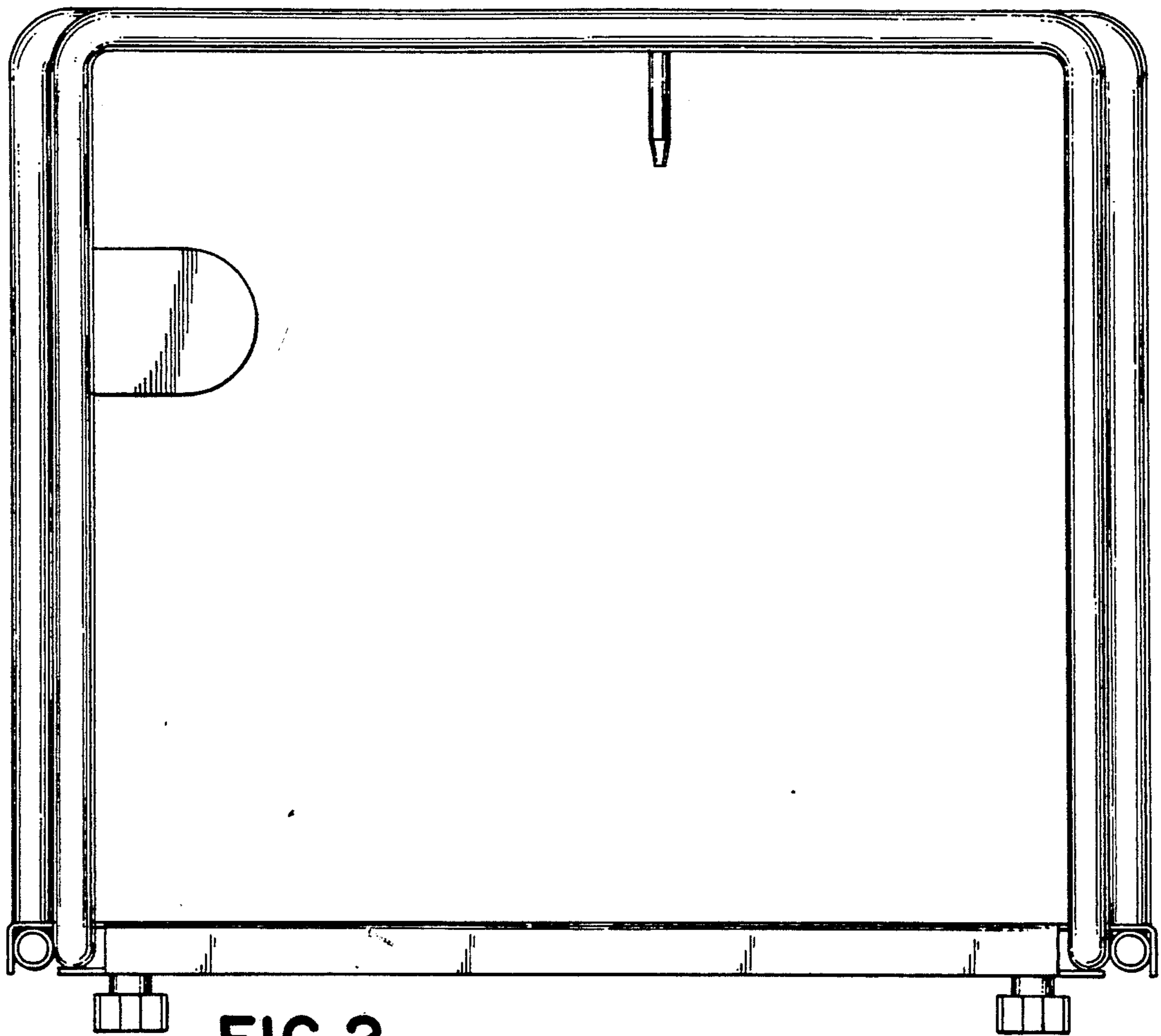


FIG. 2

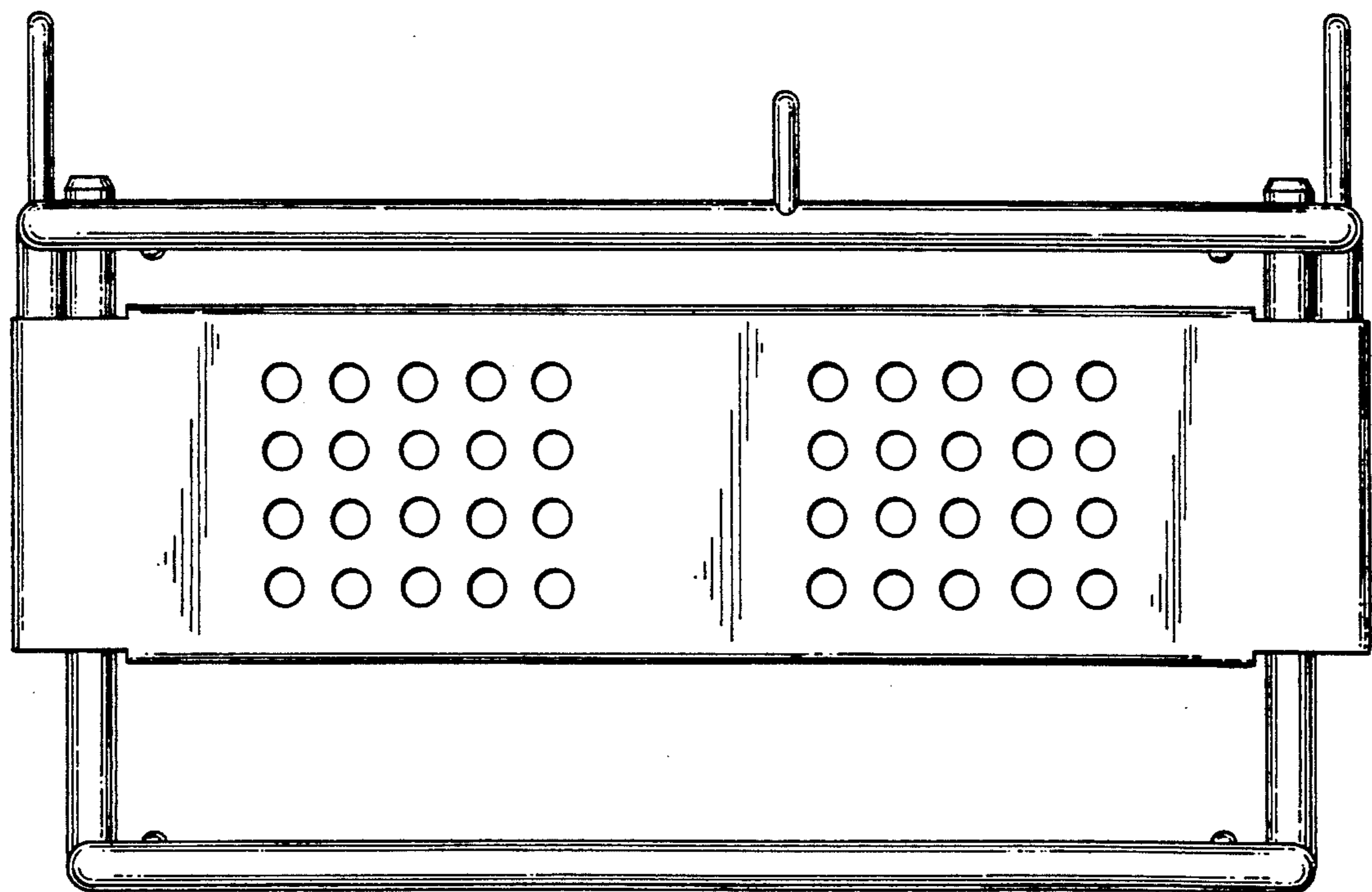


FIG. 3

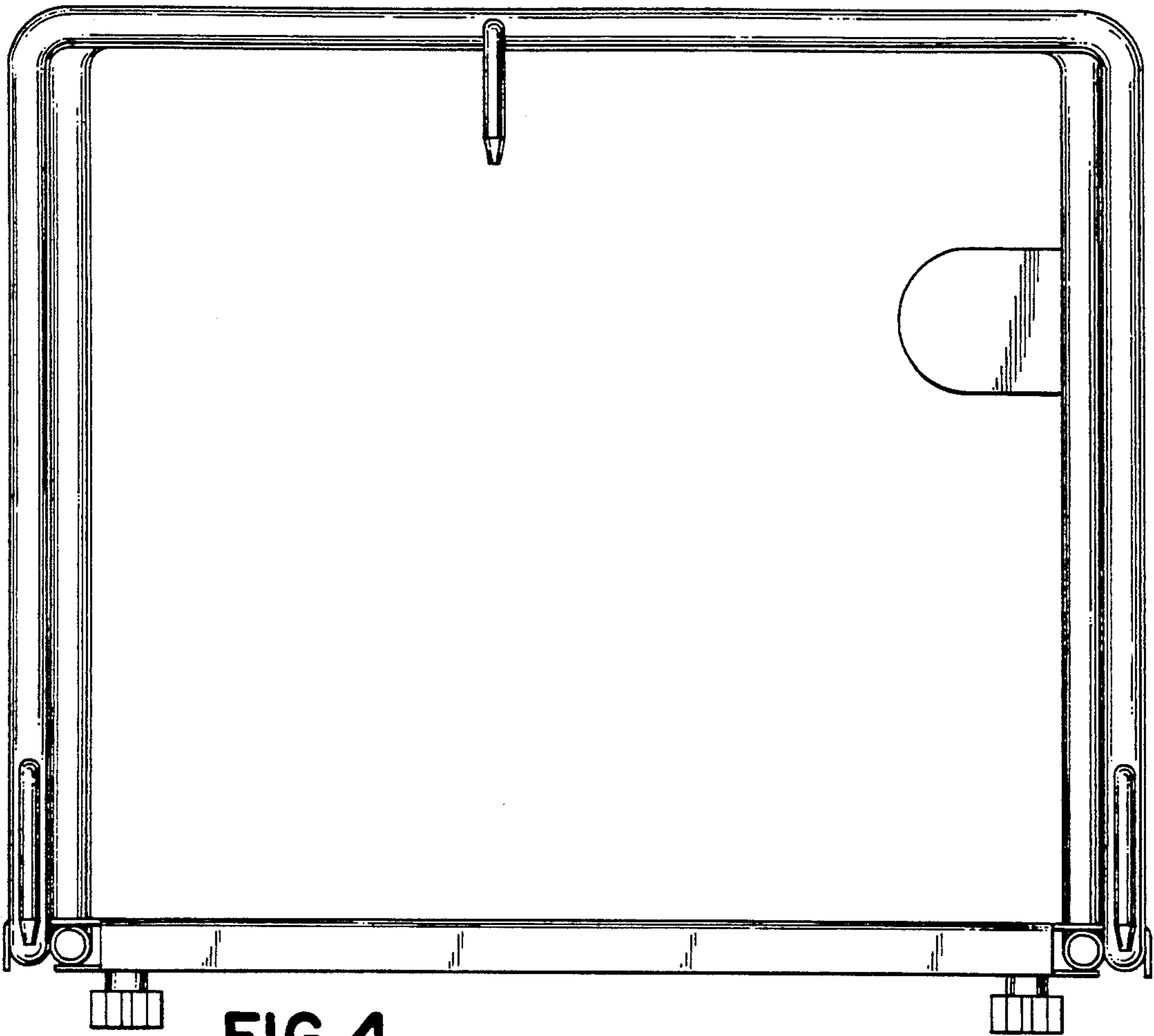


FIG. 4

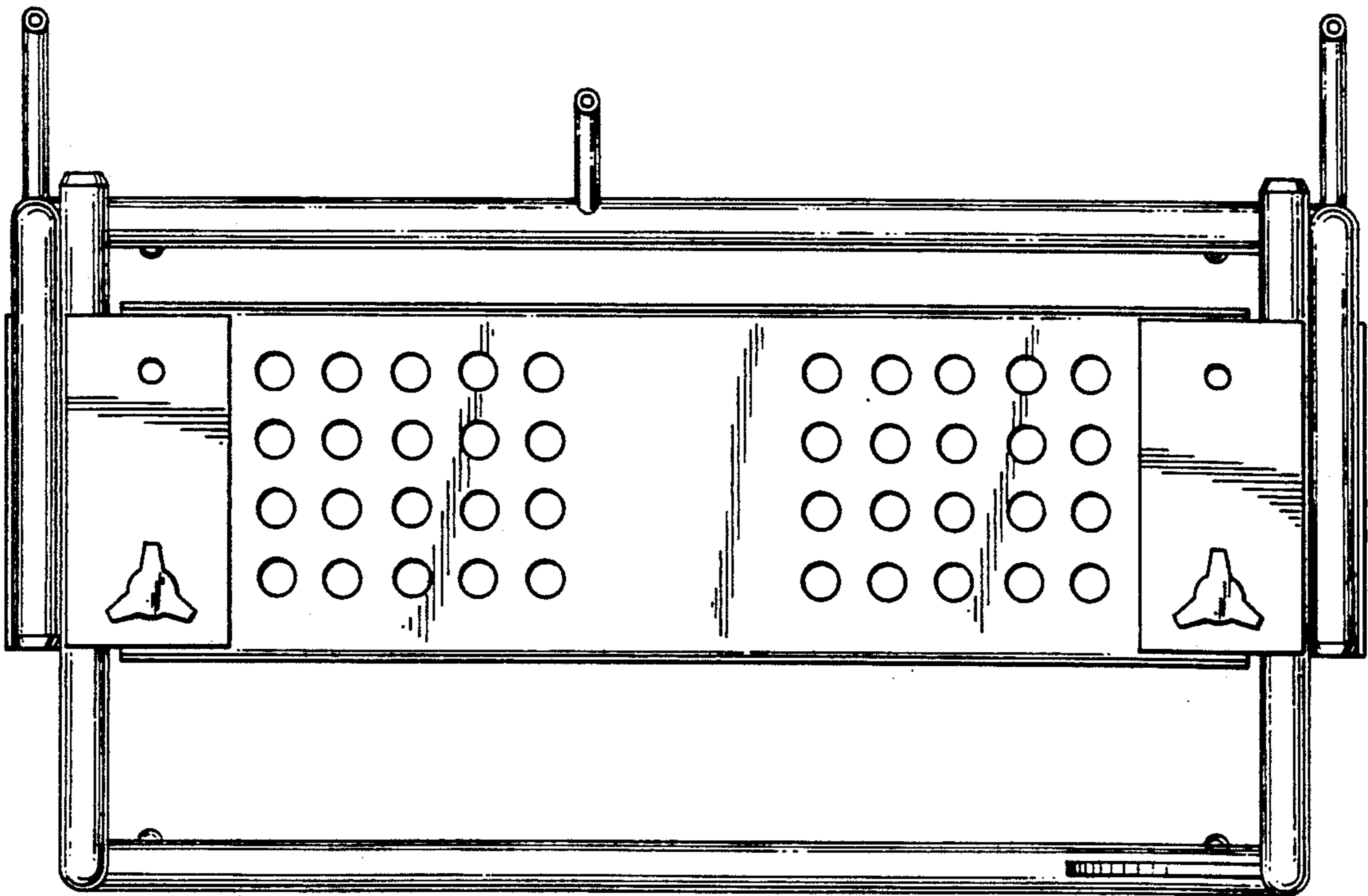


FIG. 5