



US00D330134S

# United States Patent [19]

[11] Patent Number: Des. 330,134

Edmunds

[45] Date of Patent: \*\* Oct. 13, 1992

[54] PORTABLE TABLE

3,023,063	2/1962	Hansen .....	108/44
3,733,656	5/1973	Stalder .....	D32/61 X
4,830,243	5/1989	Mann .....	108/44 X

[76] Inventor: Clive D. Edmunds, 12 Fieldview Dr., North Cape May, N.J. 08204

[\*\*] Term: 14 Years

Primary Examiner—Nelson C. Holtje  
Assistant Examiner—Janice E. Seeger  
Attorney, Agent, or Firm—Leon Gilden

[21] Appl. No.: 476,638

[57] CLAIM

[22] Filed: Feb. 8, 1990

The ornamental design for a portable table, as shown and described.

[52] U.S. Cl. .... D6/511

[58] Field of Search ..... D6/491, 492, 494, 500-502, D6/509-511; D32/61; 297/135, 160; 108/44, 139

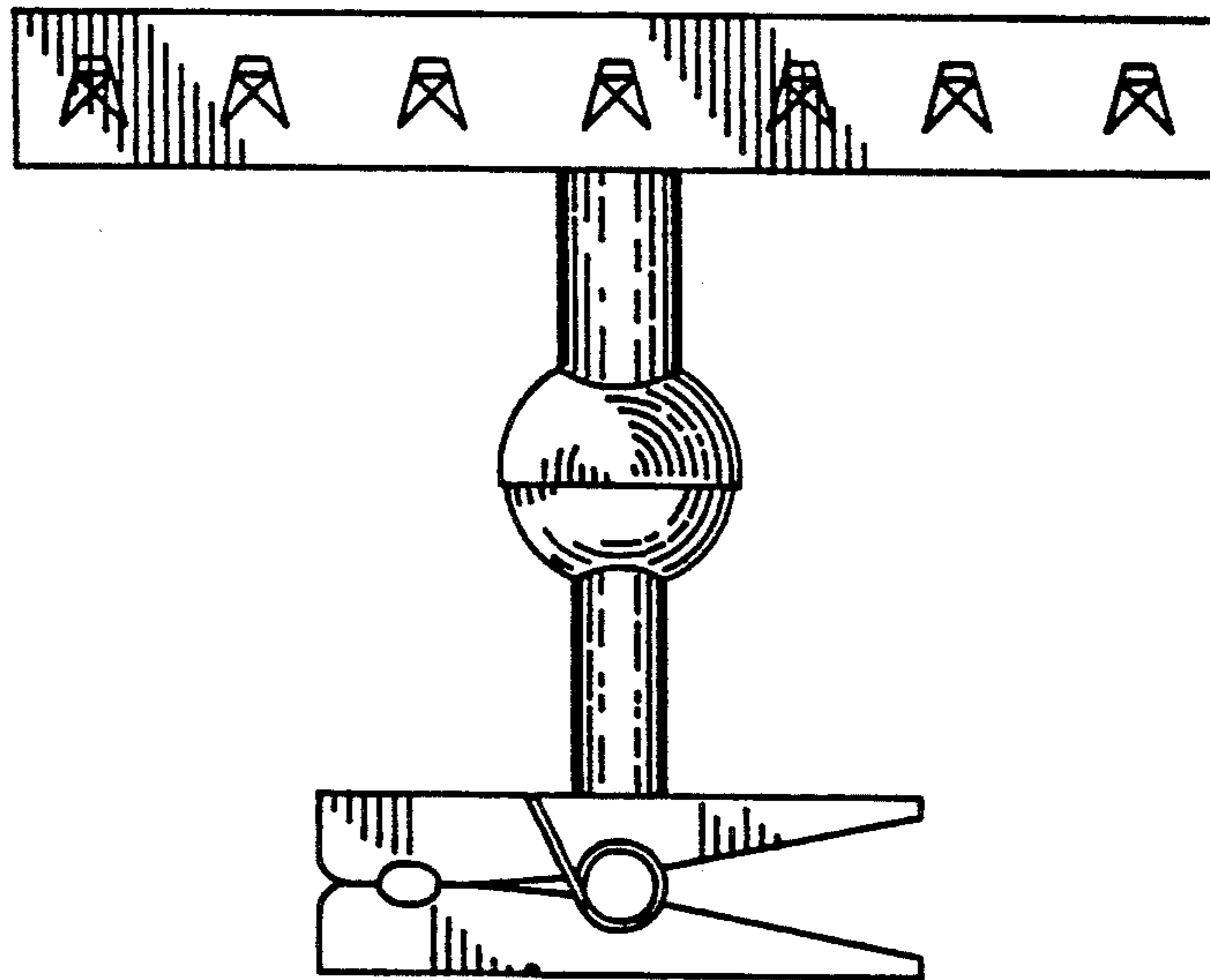
DESCRIPTION

[56] References Cited

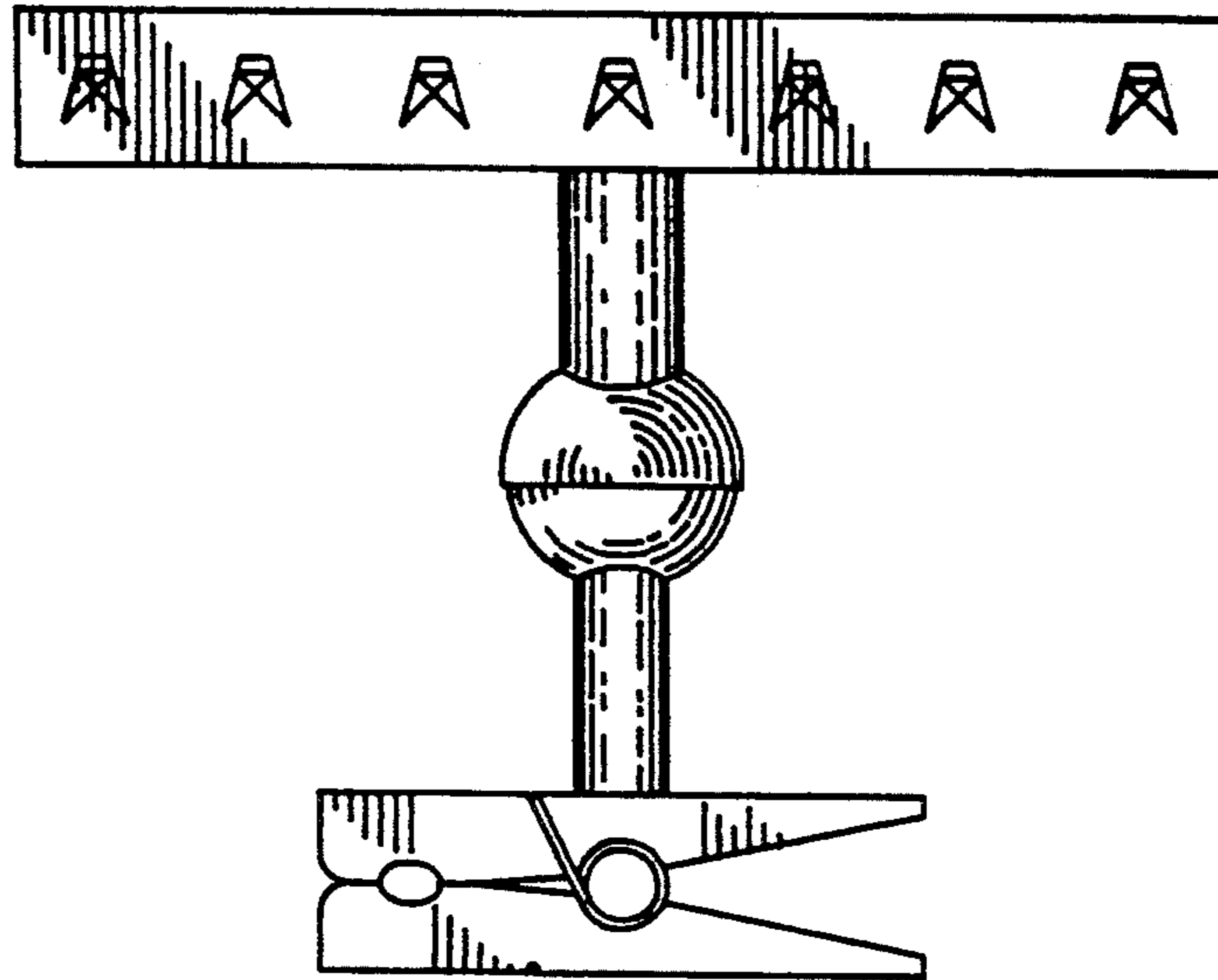
U.S. PATENT DOCUMENTS

D. 147,803	11/1947	Maccaferri .....	D32/61
937,755	10/1909	Beatty .....	108/139
2,195,366	3/1940	Haigh .....	108/44

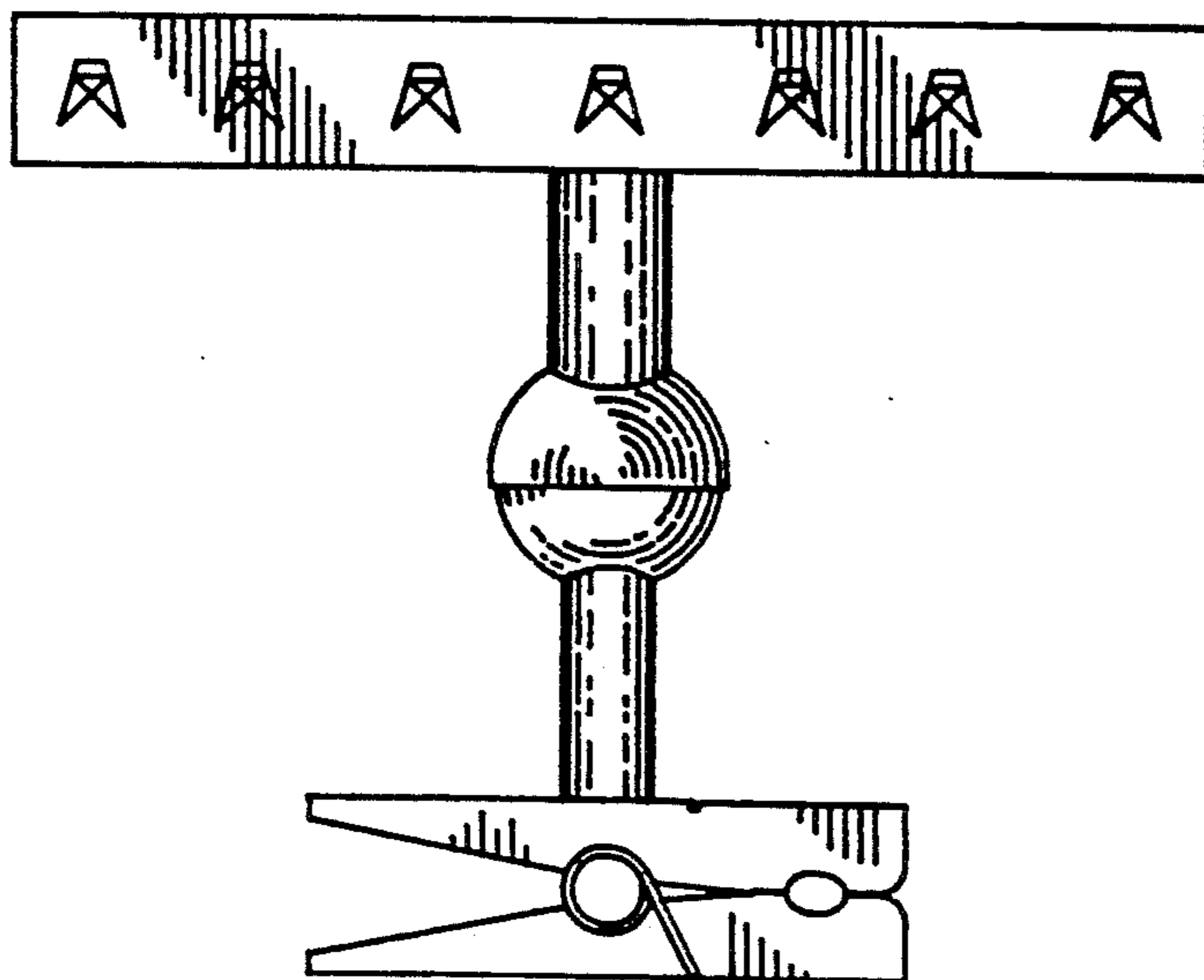
FIG. 1 is a front elevational view of the portable table showing my new design;  
FIG. 2 is a rear elevational view thereof;  
FIG. 3 is a left side elevational view thereof;  
FIG. 4 is a right side elevational view thereof;  
FIG. 5 is a top plan view thereof; and,  
FIG. 6 is a bottom plan view thereof.



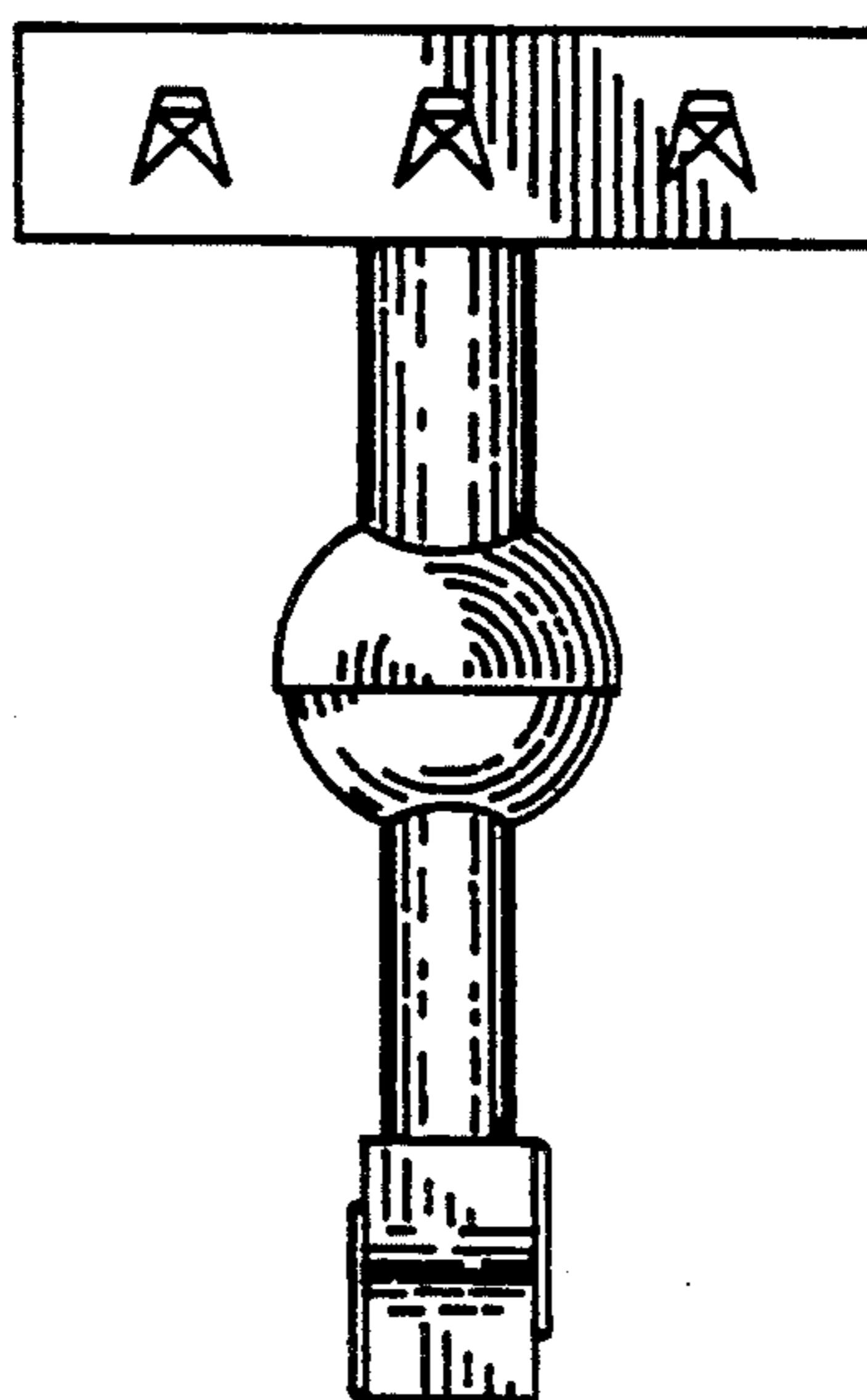
*FIG. 1*



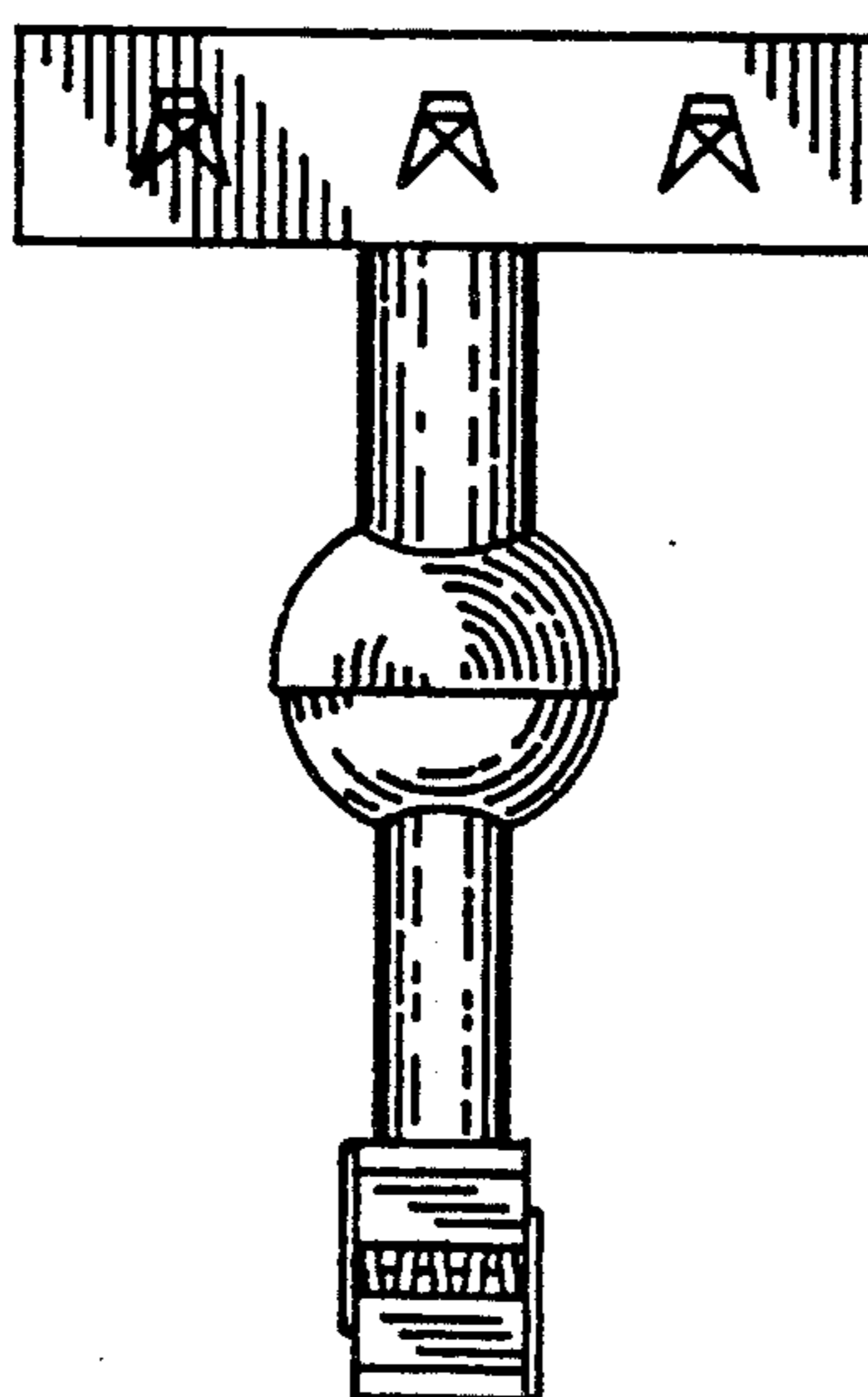
*FIG. 2*



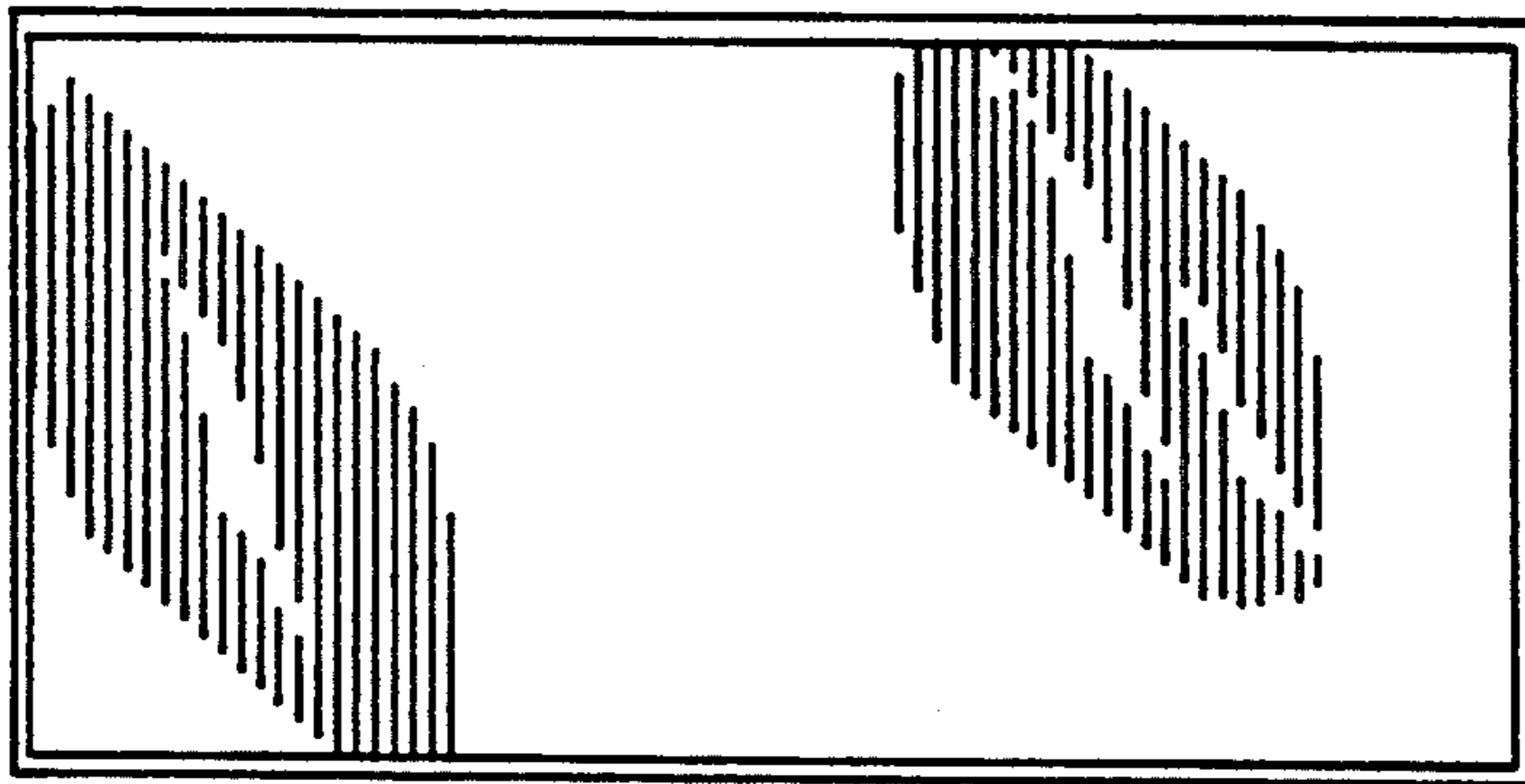
*FIG. 3*



*FIG. 4*



*FIG. 5*



*FIG. 6*

