



US00D330133S

# United States Patent [19]

[11] Patent Number: **Des. 330,133**

Lucht

[45] Date of Patent: **\*\* Oct. 13, 1992**

[54] **BASE FOR A DISPLAY STAND**

[75] Inventor: **Wayne Lucht, Palos Hills, Ill.**

[73] Assignee: **Midway Displays, Inc., Bedford Park, Ill.**

[\*\*] Term: **14 Years**

[21] Appl. No.: **464,767**

[22] Filed: **Jan. 16, 1990**

[52] U.S. Cl. .... **D6/498**

[58] Field of Search ..... **D6/491, 495-499, D6/419, 486, 487, 366**

D. 268,315 3/1983 Kirk ..... D6/498

D. 273,730 5/1984 Cafiero ..... D6/366

D. 275,430 9/1984 Ochsner ..... D6/366

3,075,734 1/1963 Aennel ..... D6/498

4,288,052 9/1981 Scott .

*Primary Examiner*—Nelson C. Holtje  
*Assistant Examiner*—Janice E. Seeger  
*Attorney, Agent, or Firm*—Leydig, Voit & Mayer

### [57] CLAIM

The ornamental design for a base for a display stand, as shown and described.

### DESCRIPTION

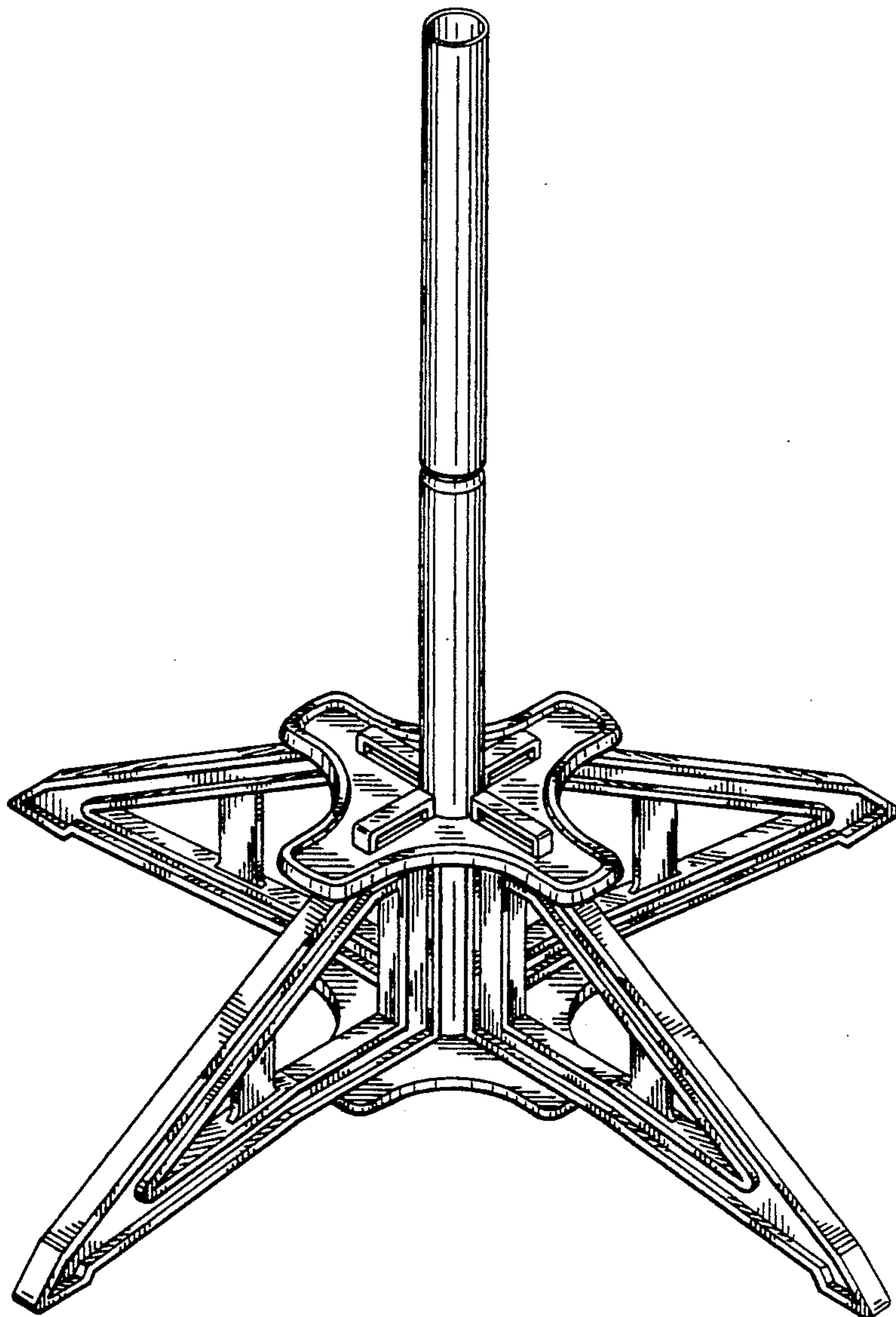
FIG. 1 is a perspective view of a base for a display stand, showing my new design;  
 FIG. 2 is a side elevational view;  
 FIG. 3 is a top plan view; and,  
 FIG. 4 is a bottom plan view thereof.

[56] **References Cited**  
**U.S. PATENT DOCUMENTS**

D. 4,741 3/1871 Ocorr ..... D6/366

D. 219,820 2/1971 Wegner ..... D6/498

D. 236,061 7/1975 Jacke ..... D6/498



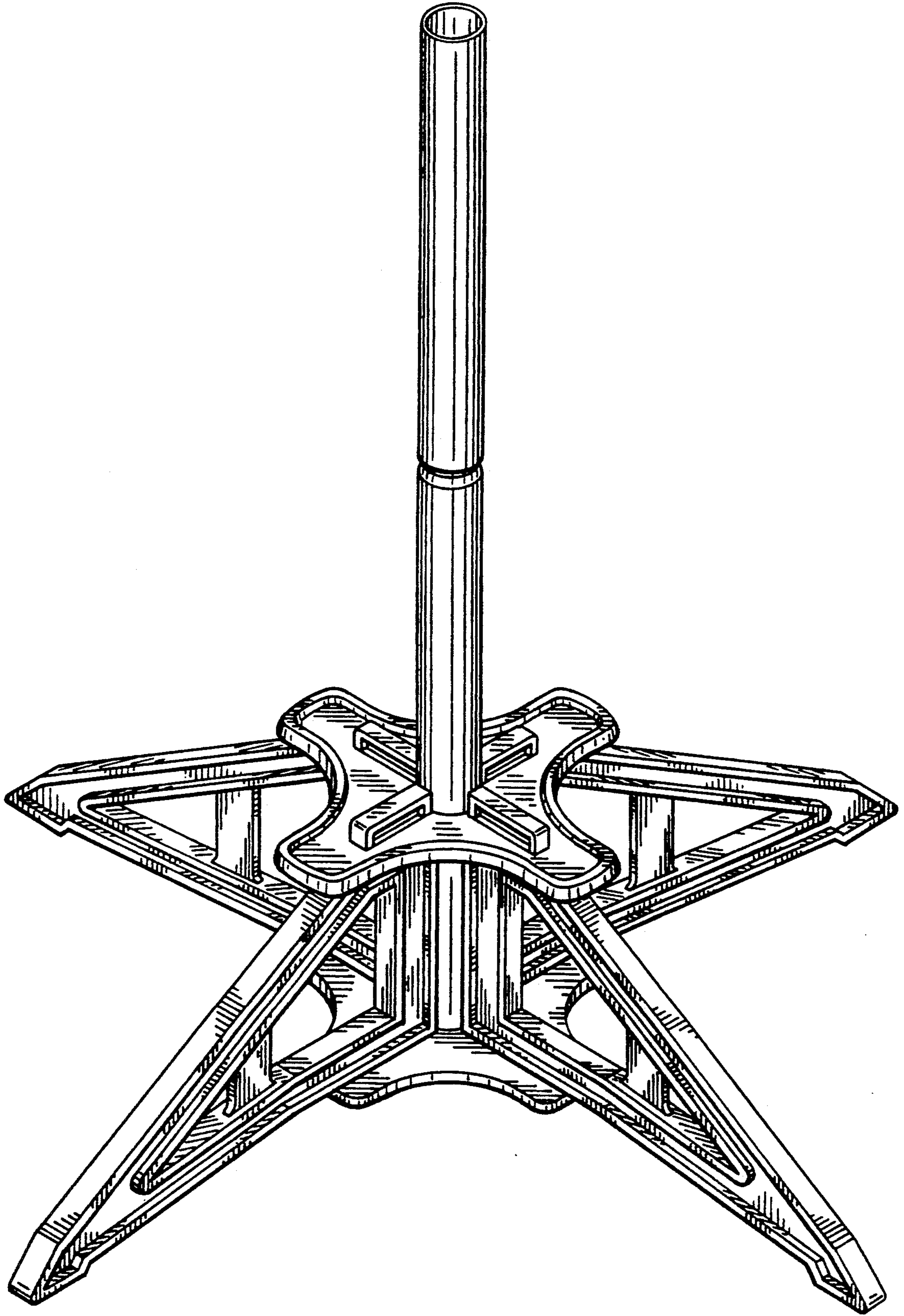


FIG. 1

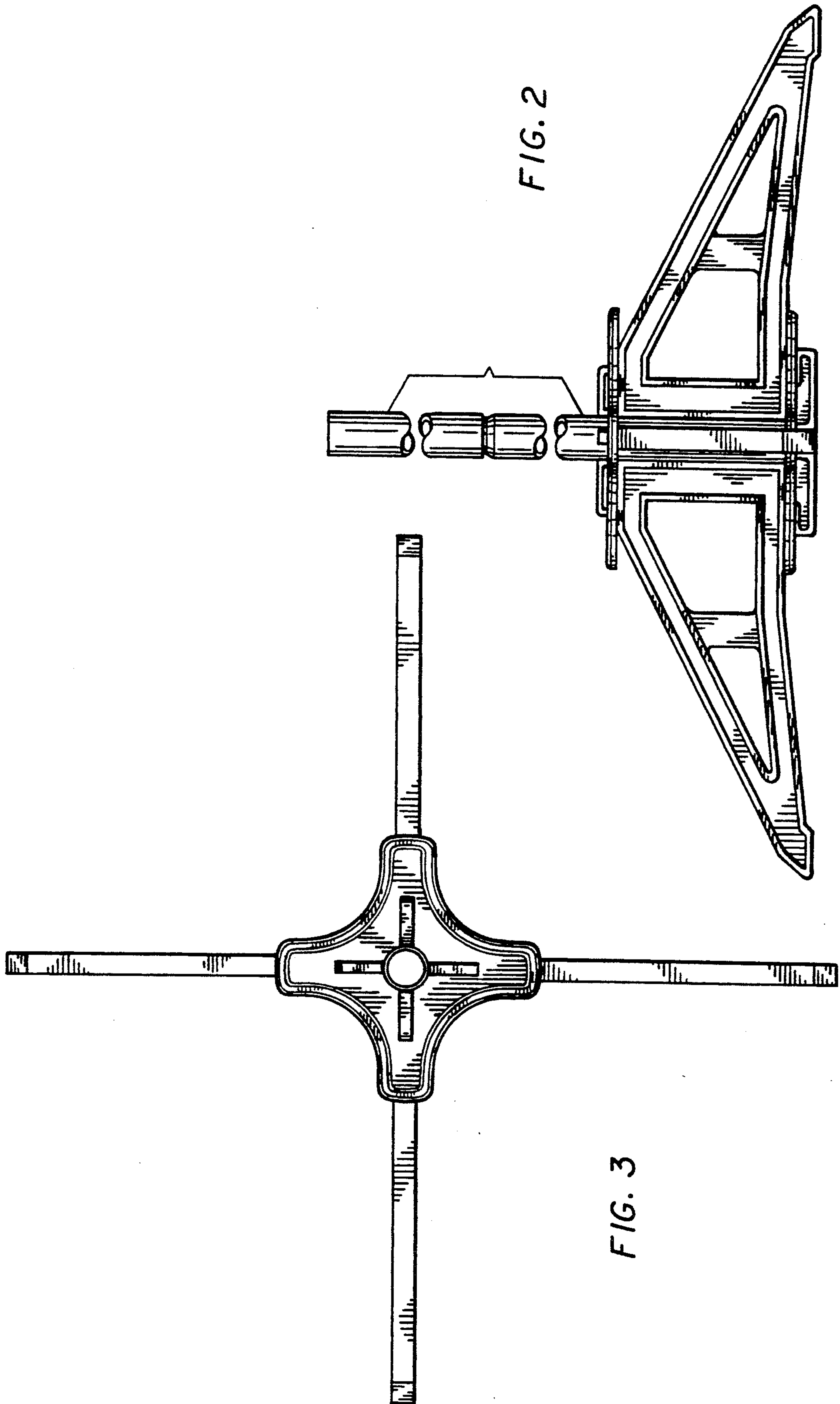


FIG. 2

FIG. 3

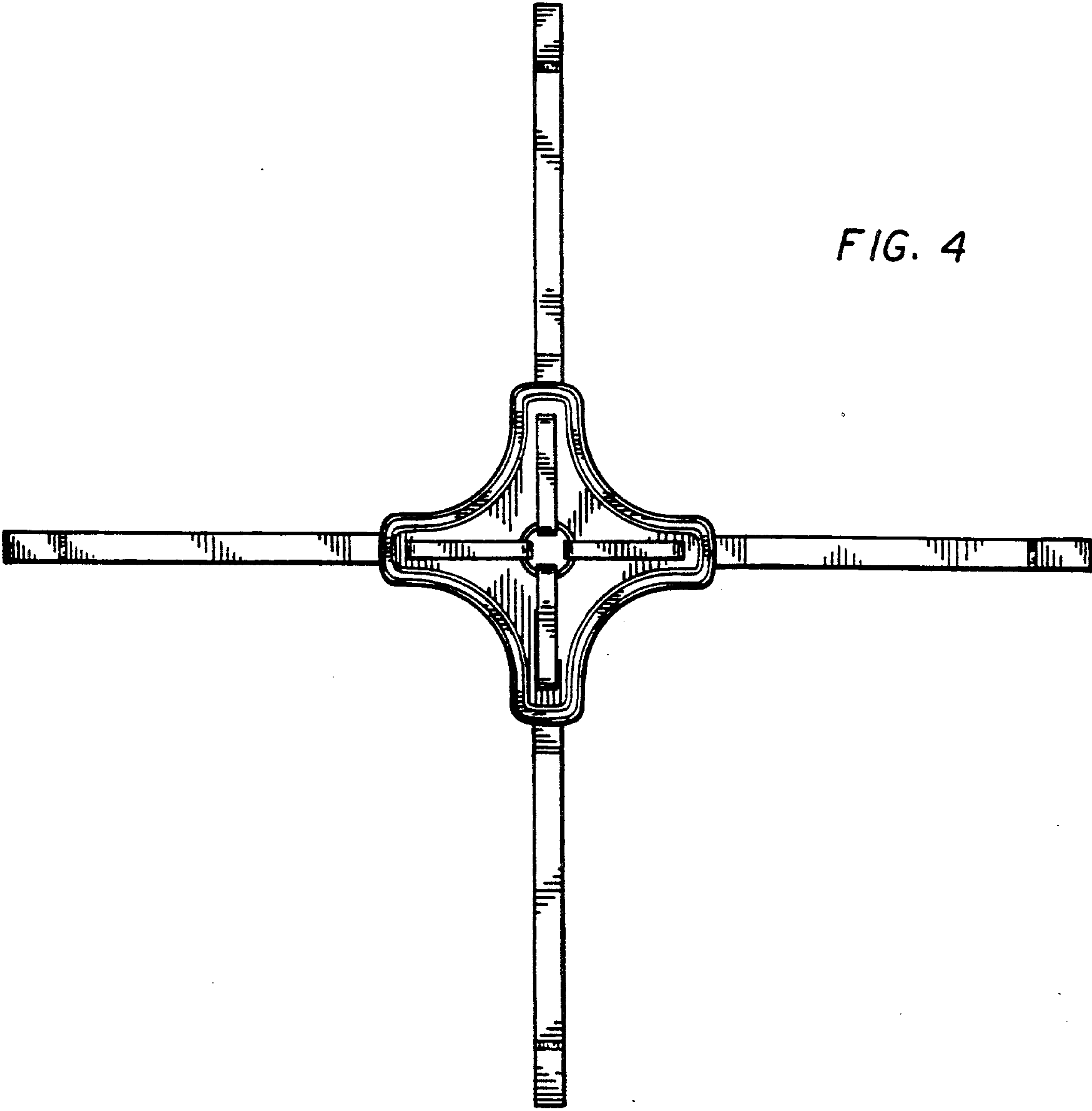


FIG. 4