



US00D330132S

United States Patent [19]

[11] Patent Number: **Des. 330,132**

Shields

[45] Date of Patent: **** Oct. 13, 1992**

[54] TABLE

[75] Inventor: **Michael R. Shields**, Greensboro, N.C.

[73] Assignee: **Brayton International Collection**, High Point, N.C.

[**] Term: **14 Years**

[21] Appl. No.: **724,948**

[22] Filed: **Jul. 2, 1991**

[52] U.S. Cl. **D6/484**

[58] Field of Search **D6/480, 482-484**

[56] References Cited

U.S. PATENT DOCUMENTS

D. 80,024	12/1929	Ekvall	D6/480 X
D. 218,450	8/1970	Bernard	D6/480
D. 243,982	4/1977	Carter	D6/484
D. 243,983	4/1977	Carter	D6/484
D. 246,216	11/1977	Heumann	D6/484
D. 257,929	1/1981	Redmond	D6/480
D. 268,884	5/1983	Platner	D6/484
D. 280,161	8/1985	Alessandro	D6/487
D. 287,677	1/1987	Pomeroy et al.	D6/480 X
D. 298,495	11/1989	Glendinning	D6/484
D. 299,893	2/1989	Diehl	D6/487
D. 300,889	5/1989	Bartlett	D6/484
D. 315,650	3/1991	Fisher	D6/484
4,077,335	3/1978	Luzzani et al.	D6/484 X

OTHER PUBLICATIONS

Interior Design-Market, Sep. 1987, Ron Seff, table in center.

St. Johns Catalog 1941, p. 7, 601-T Extension Table at bottom.

Interiors magazine Nov. 1984, p. 52, Inn Fused Adirondack cherry table.

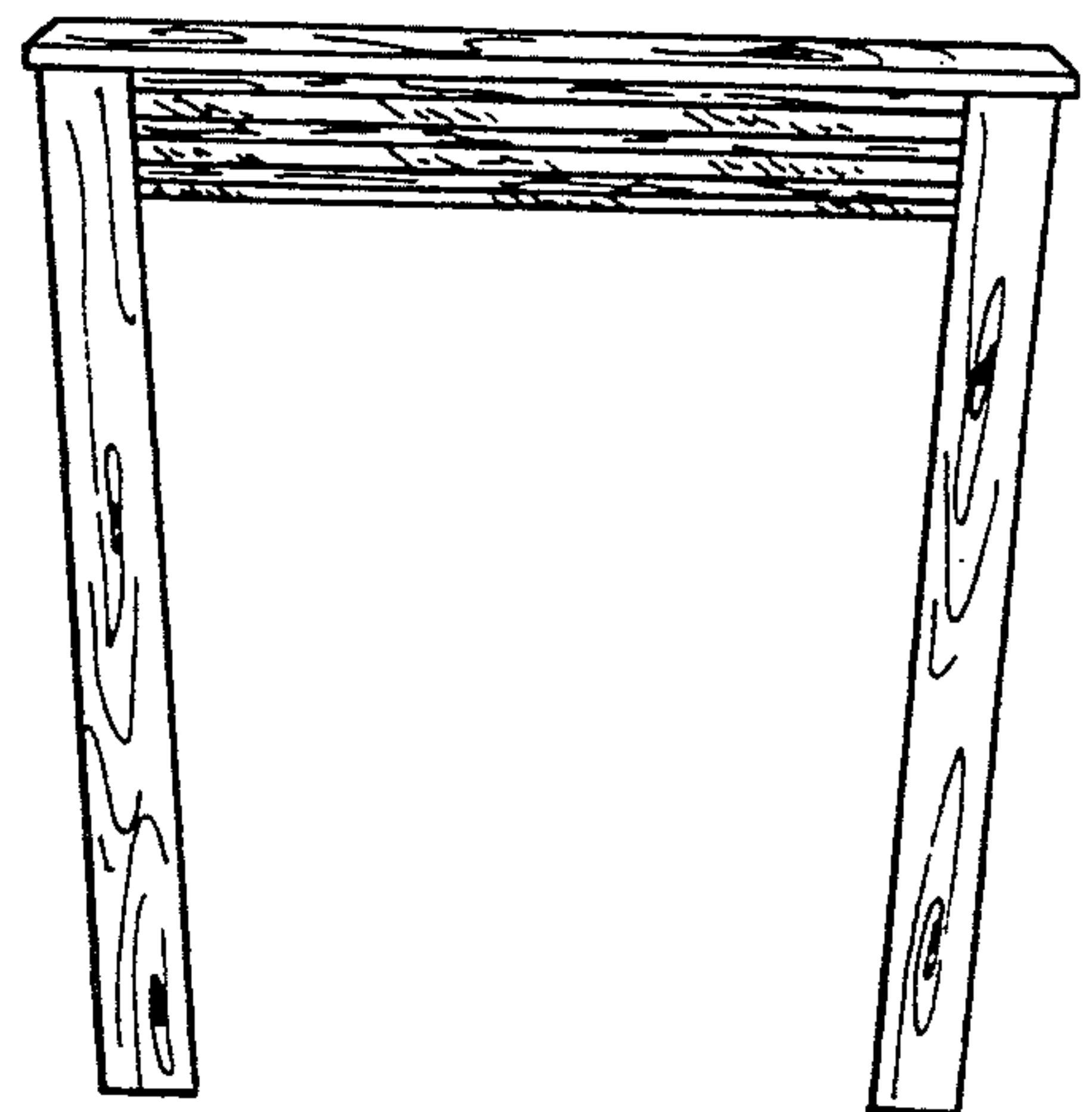
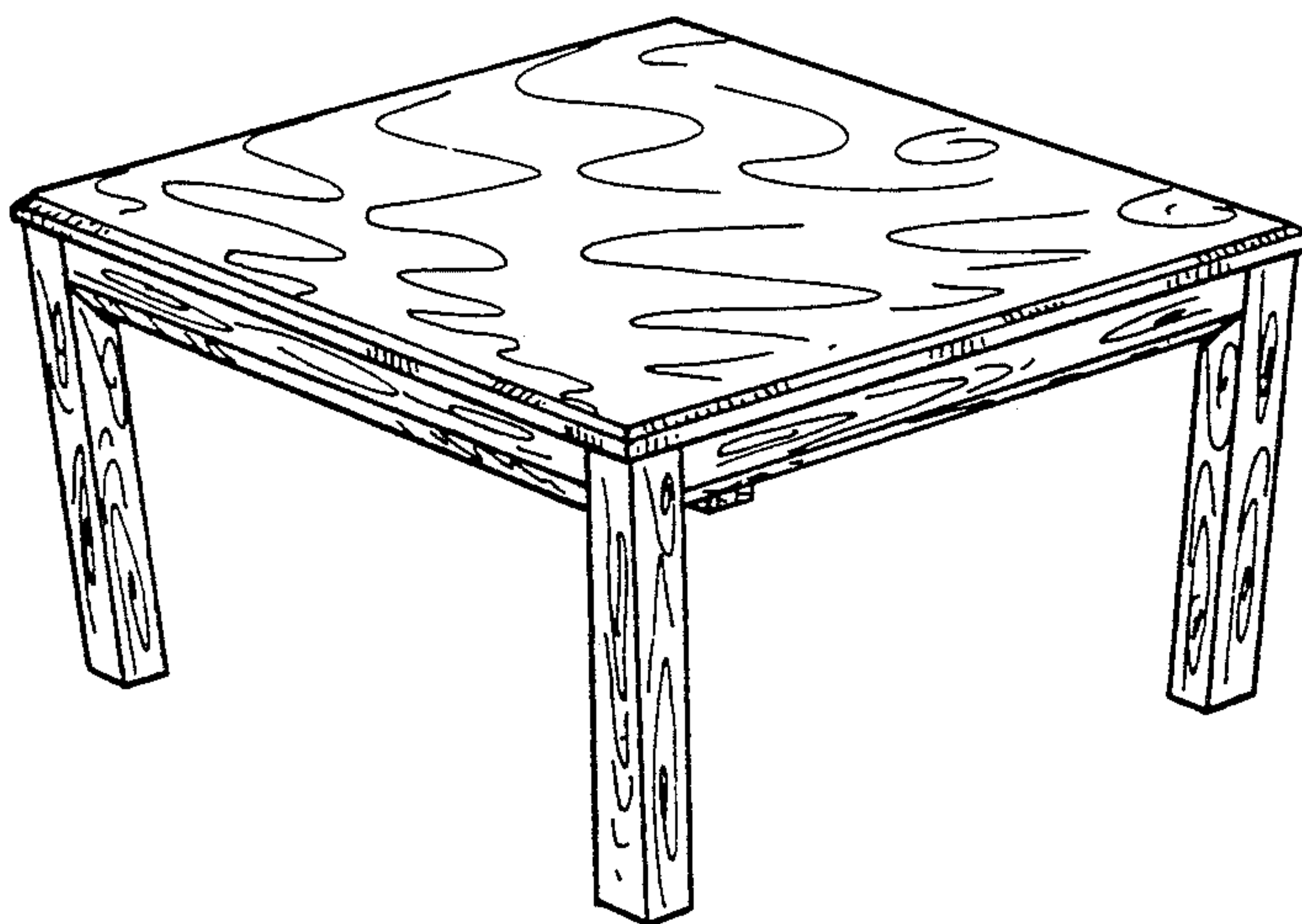
Primary Examiner—Nelson C. Holtje
Assistant Examiner—Janice E. Seeger
Attorney, Agent, or Firm—Rhodes, Coats & Bennett

[57] CLAIM

The ornamental design for a table, as shown and described.

DESCRIPTION

FIG. 1 is a perspective view of a table, showing my new design;
 FIG. 2 is a perspective view of a table, showing a second embodiment of my new design;
 FIG. 3 is a perspective view of a table, showing a third embodiment of my new design;
 FIG. 4 is a perspective view of a table, showing a fourth embodiment of my new design;
 FIG. 5 is a side elevational view of the fourth embodiment;
 FIG. 6 is a top plan view of the fourth embodiment;
 FIG. 7 is a perspective view of a table, showing a fifth embodiment of my new design;
 FIG. 8 is a side elevational view of the fifth embodiment;
 FIG. 9 is a side elevational view of a sixth embodiment of my new design;
 FIG. 10 is an enlarged fragmentary view, showing a corner of the third embodiment;
 FIG. 11 is an enlarged fragmentary view, showing a corner of the fourth embodiment;
 FIG. 12 is an enlarged fragmentary view, showing a corner of the fifth embodiment; and,
 FIG. 13 is an enlarged fragmentary view, showing a corner of the sixth embodiment.



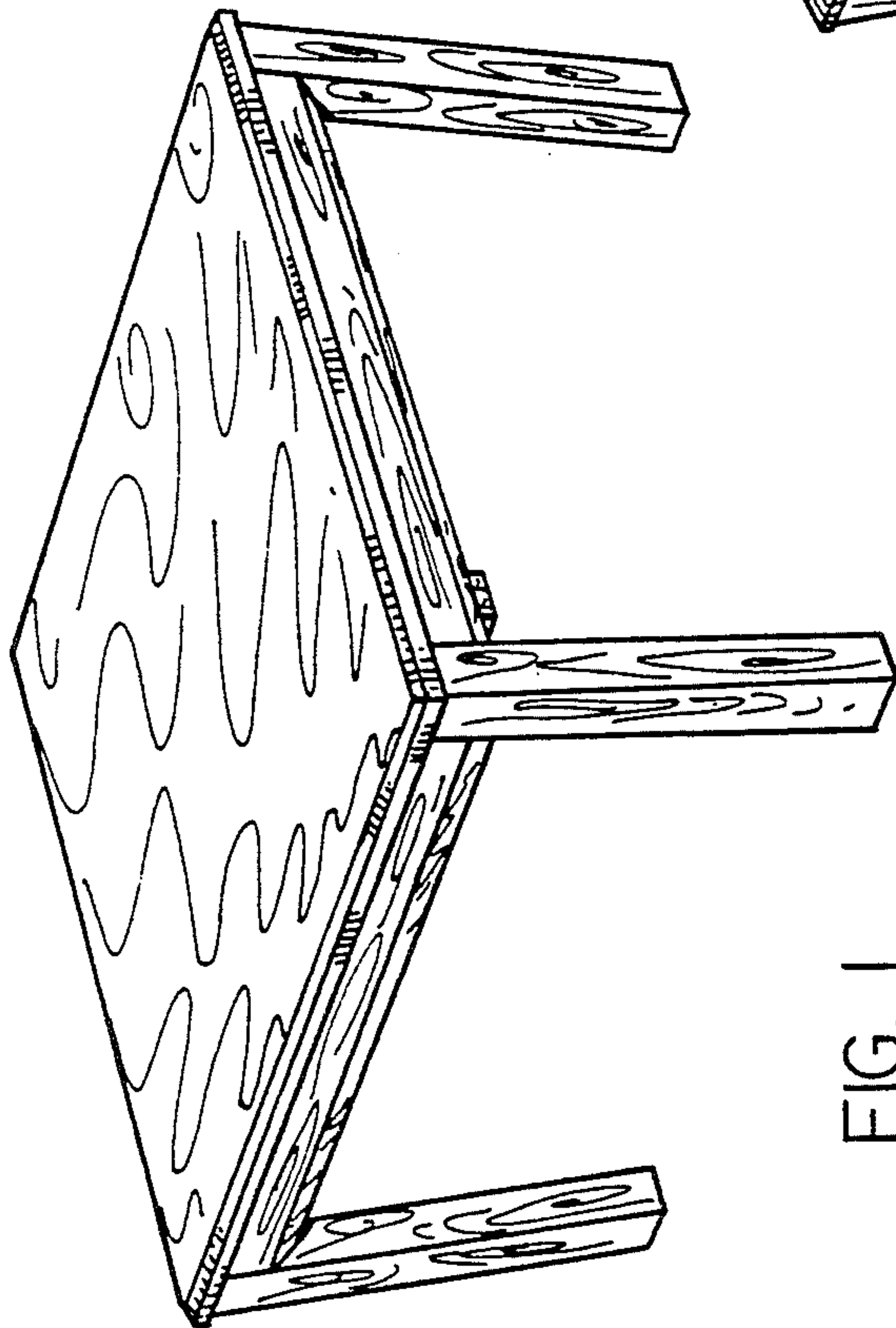


FIG. 1

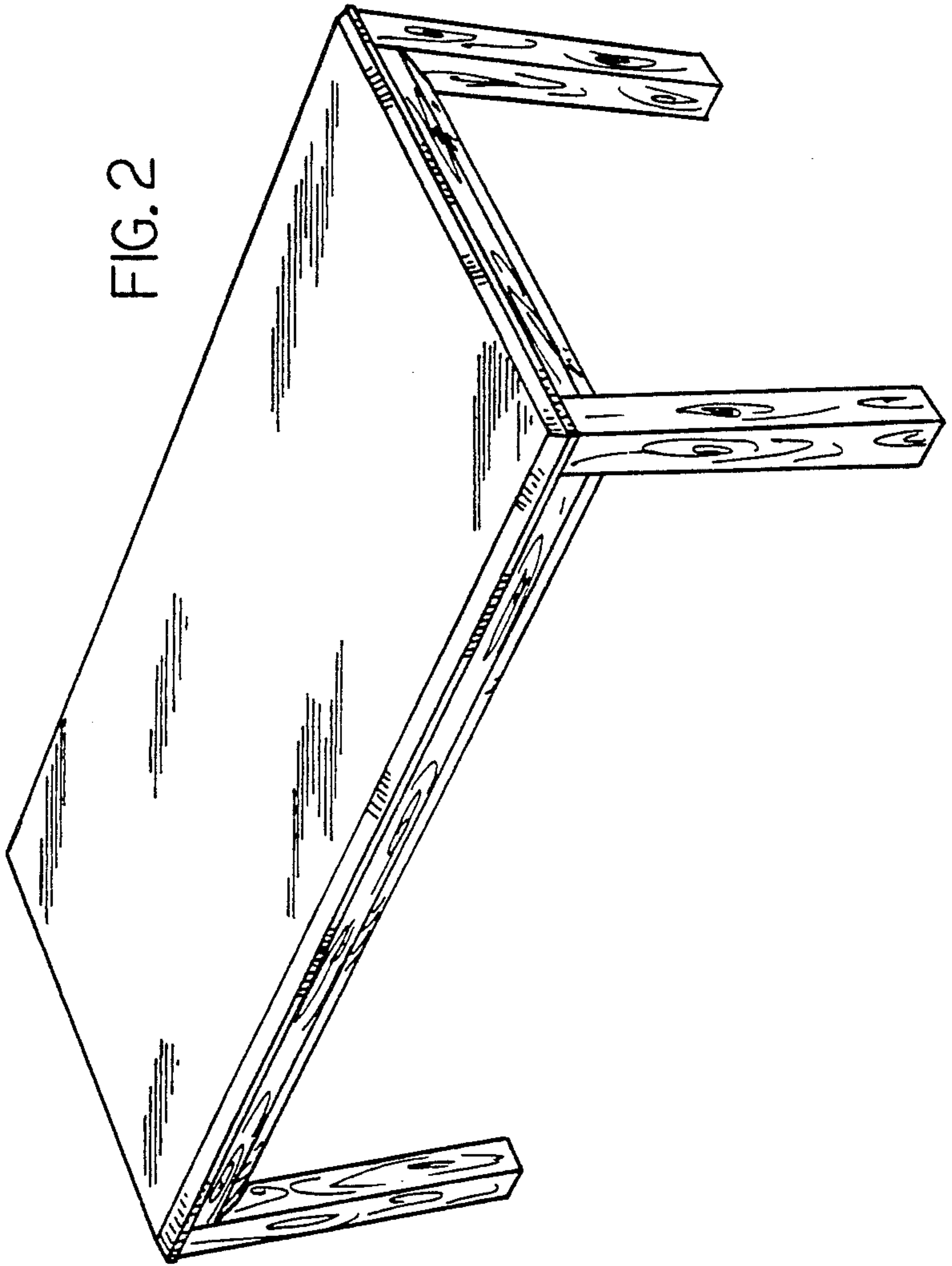


FIG. 2

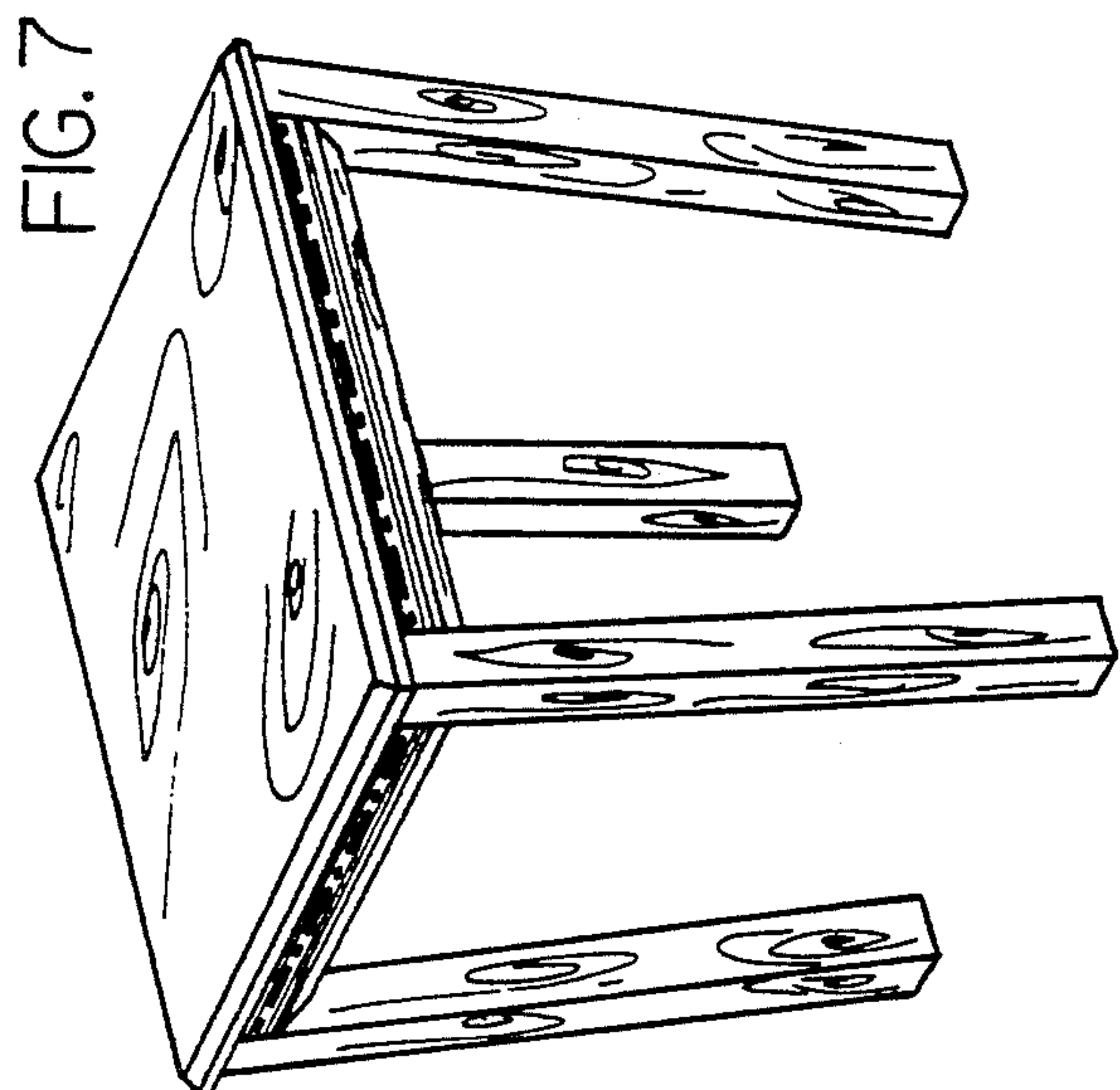


FIG. 7

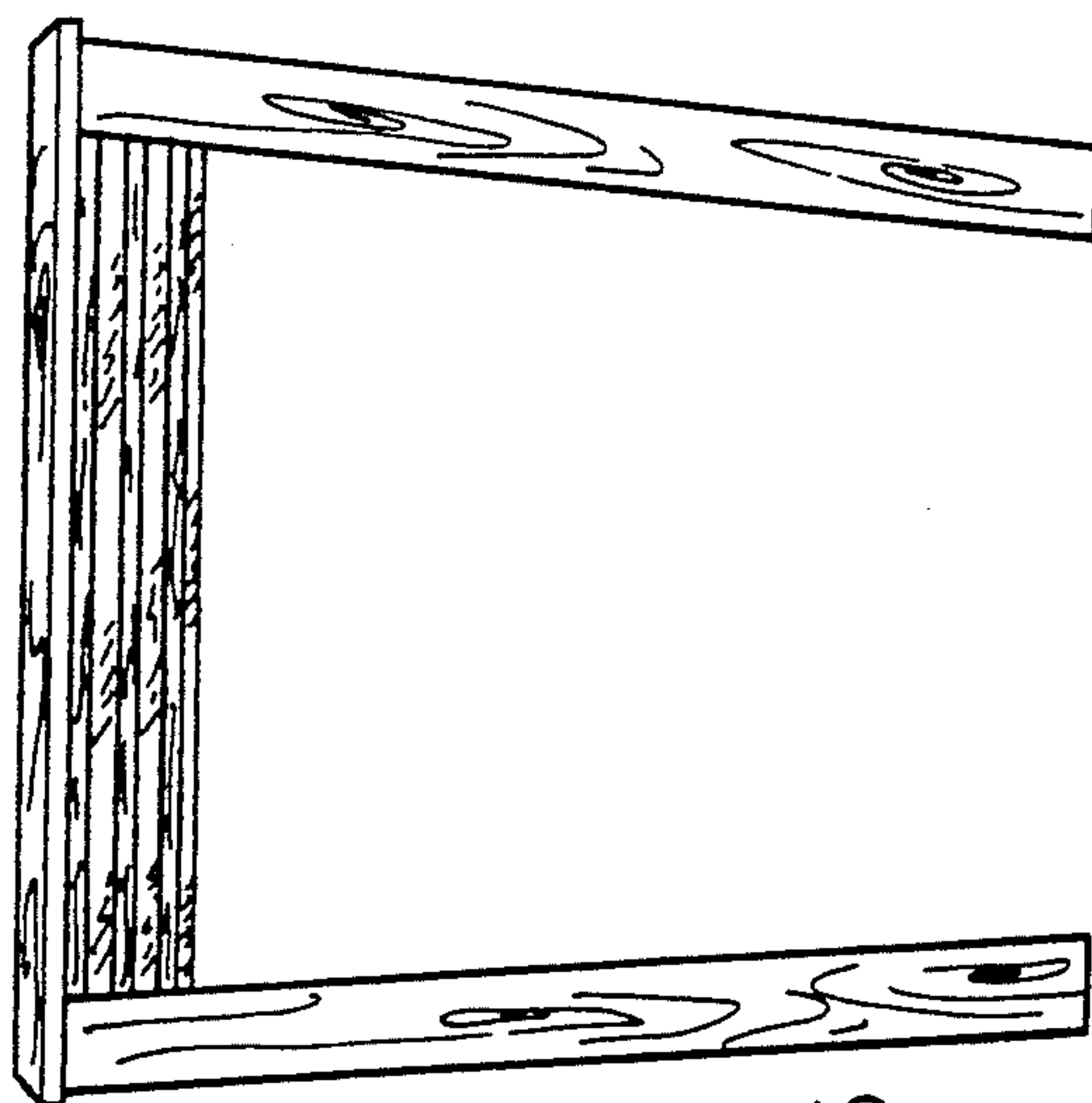


FIG. 5

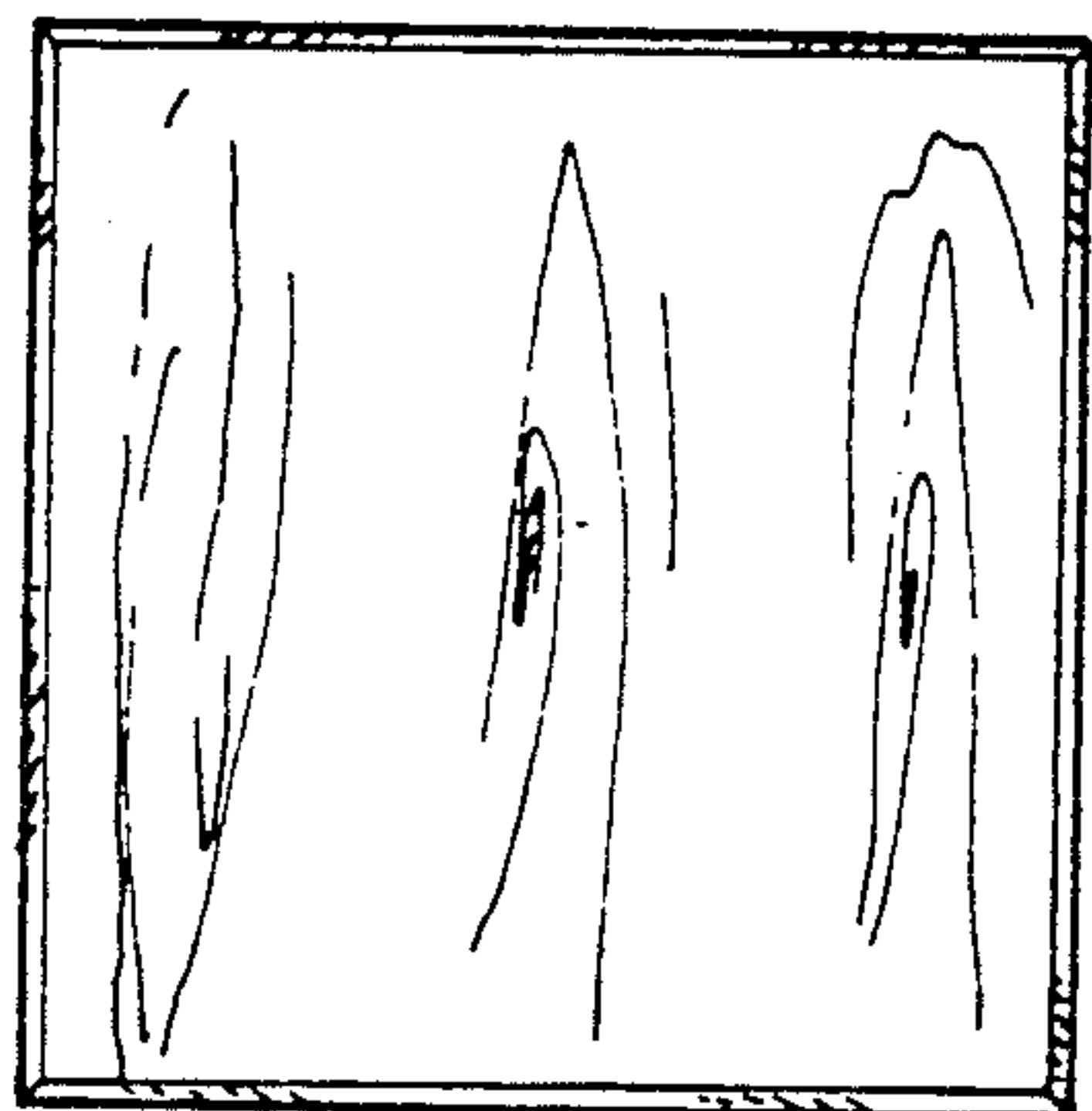


FIG. 6

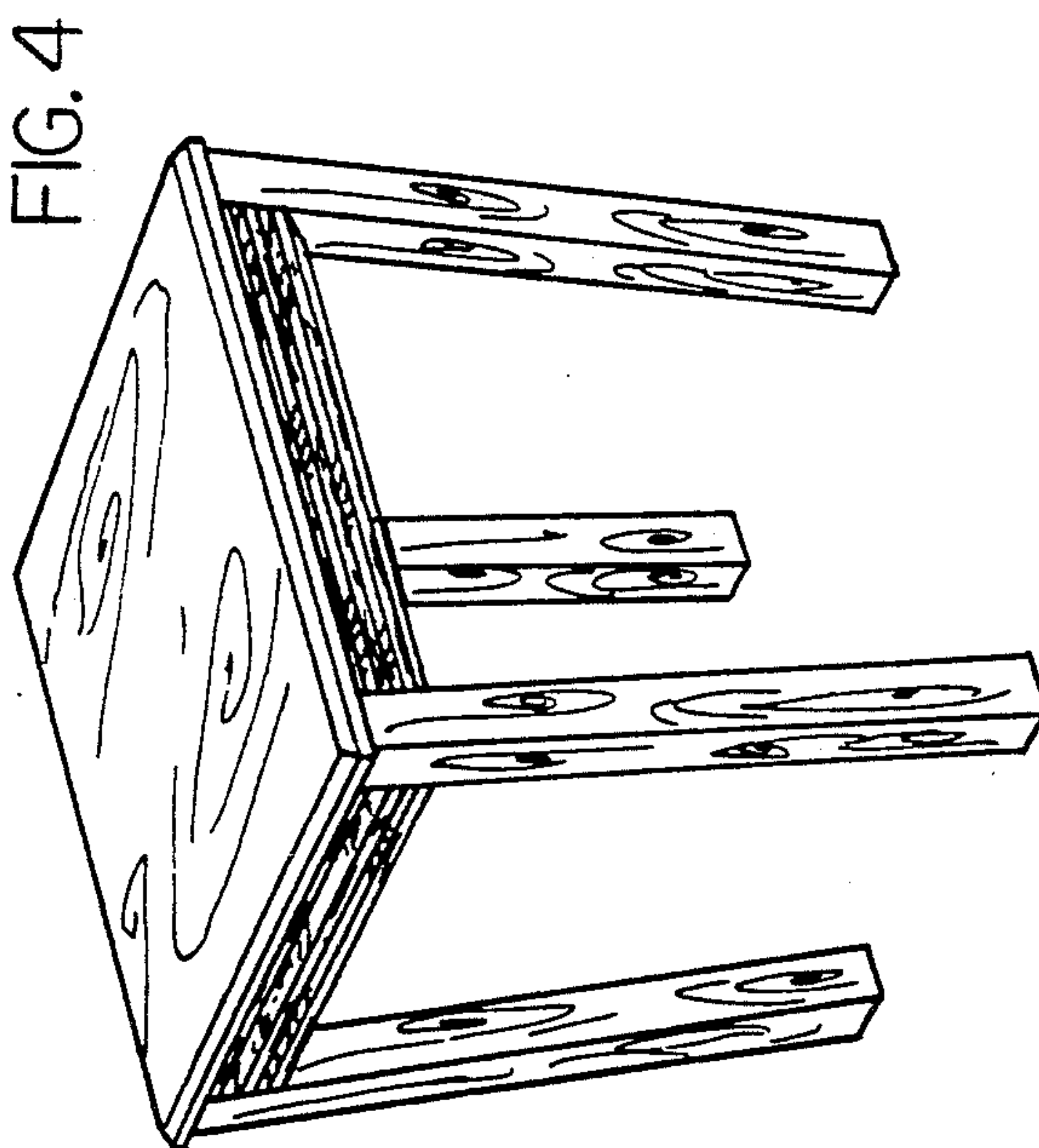


FIG. 4

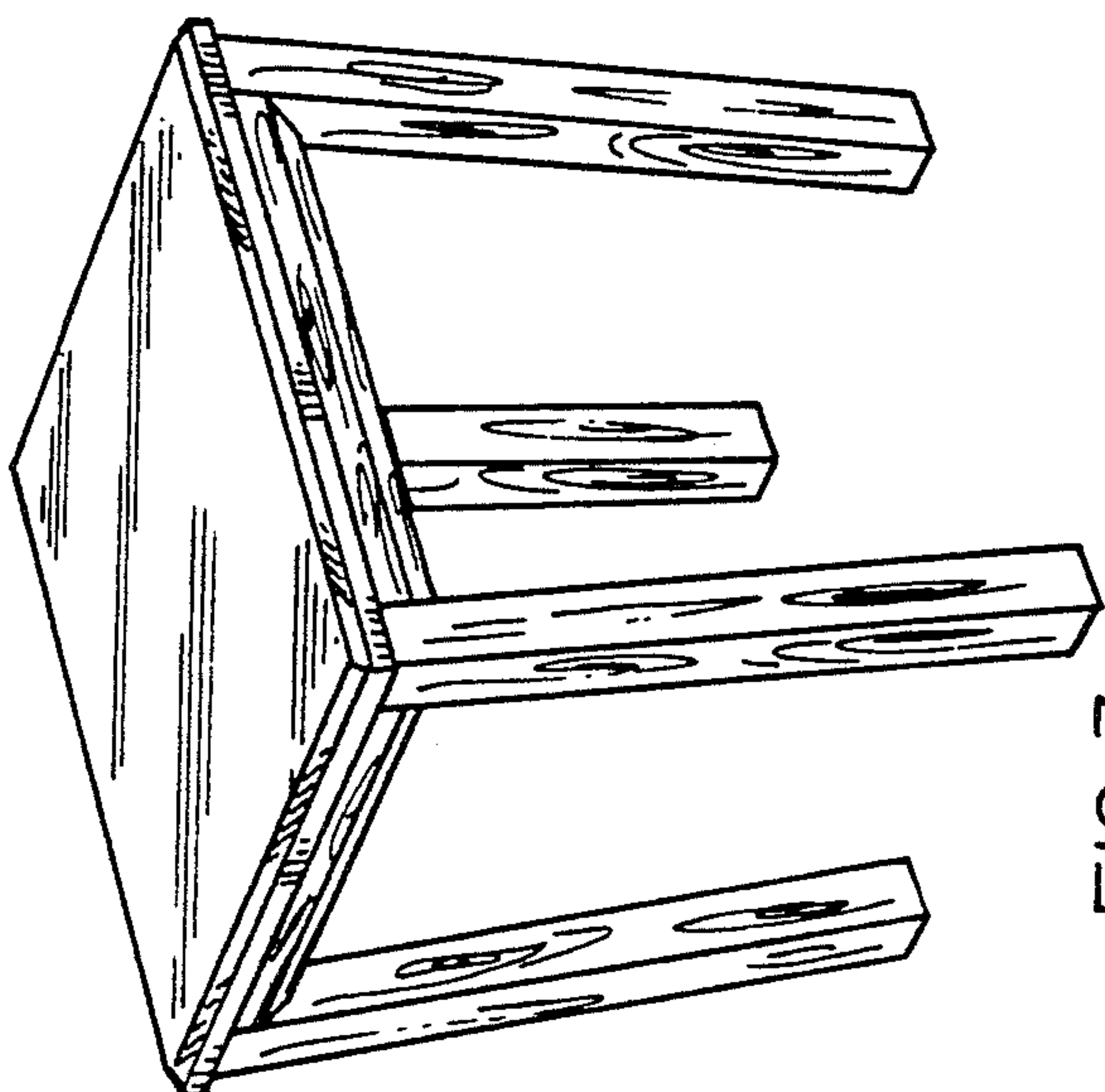


FIG. 3

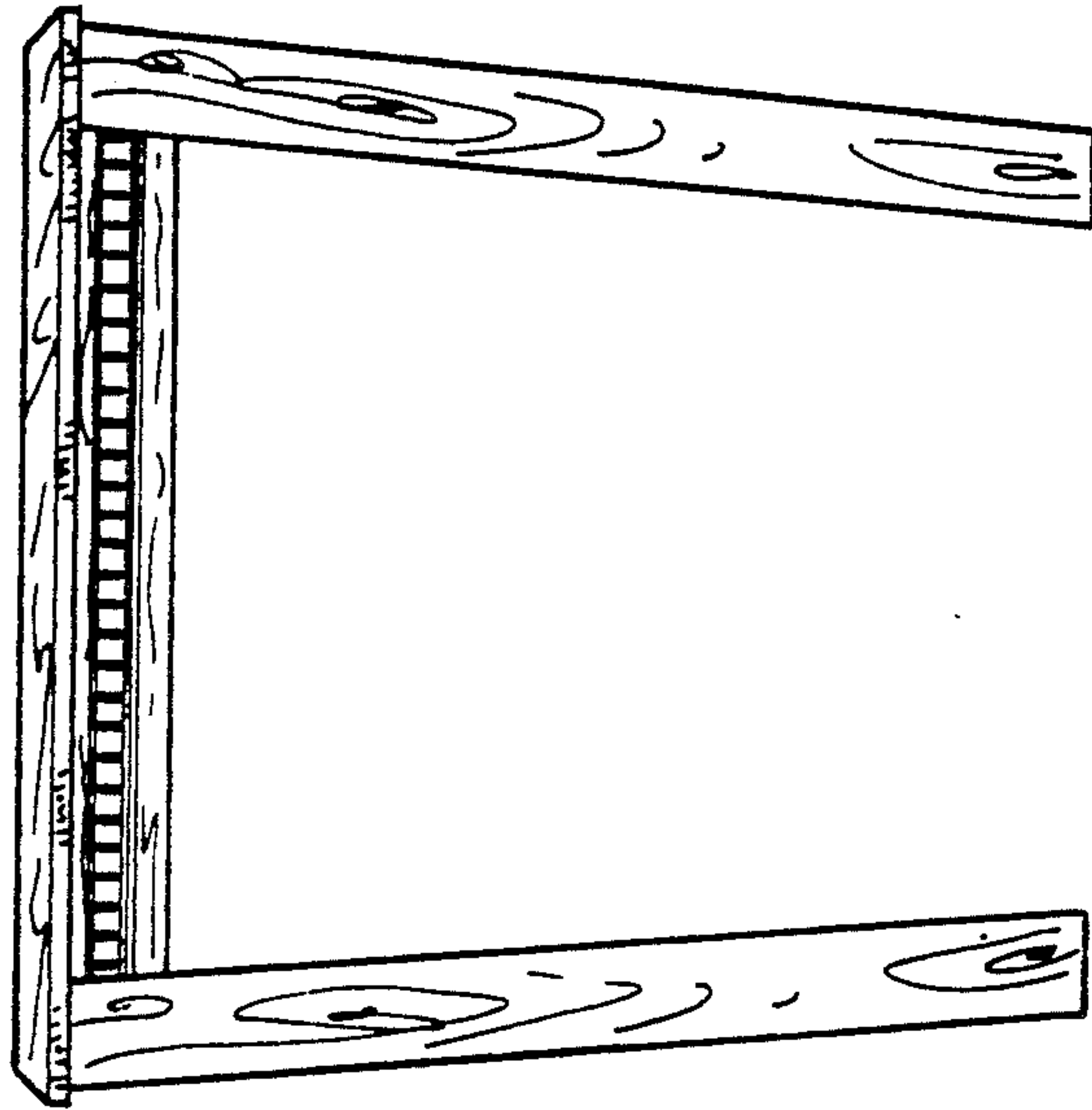


FIG. 9

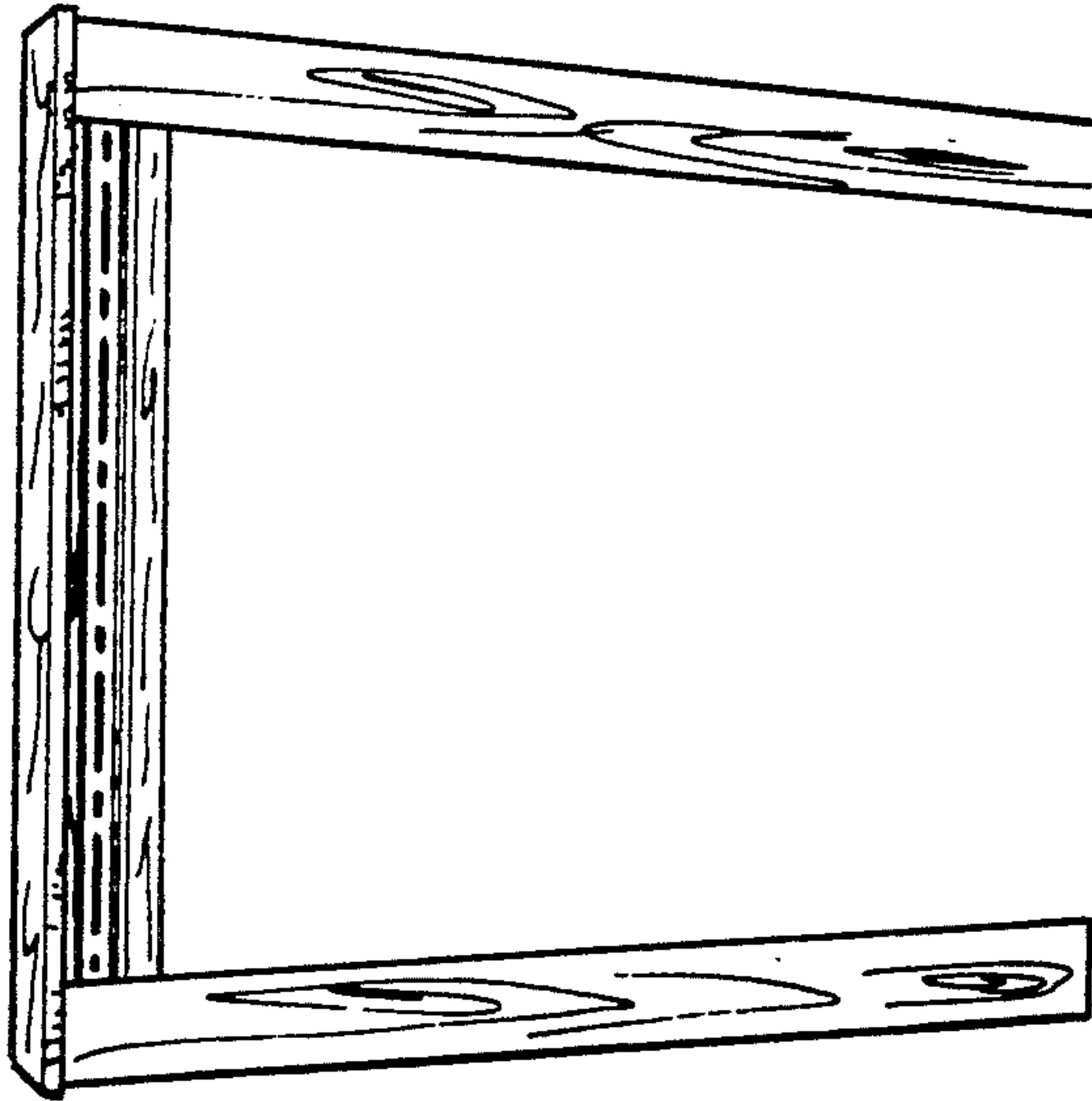


FIG. 8

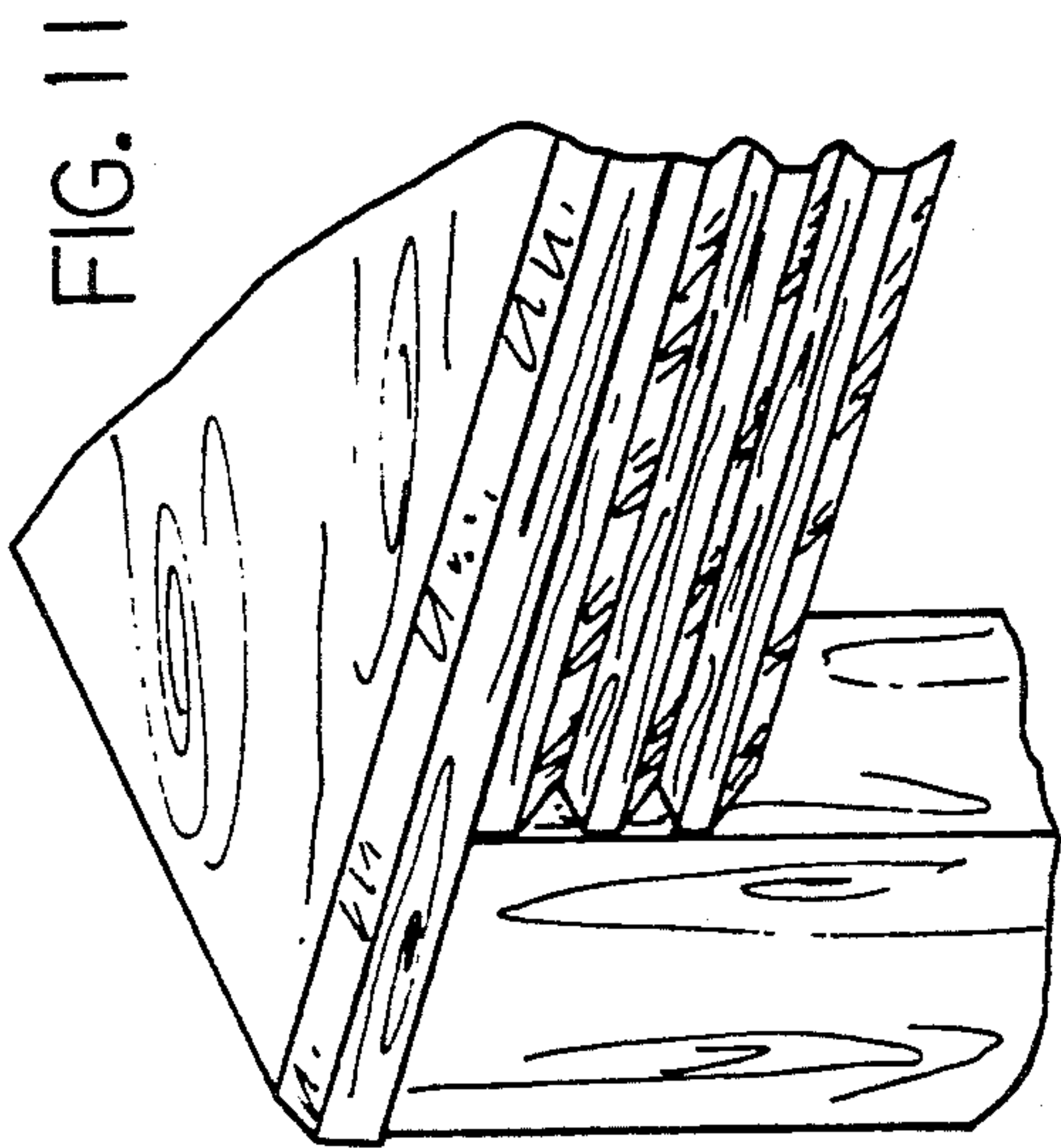


FIG. 11

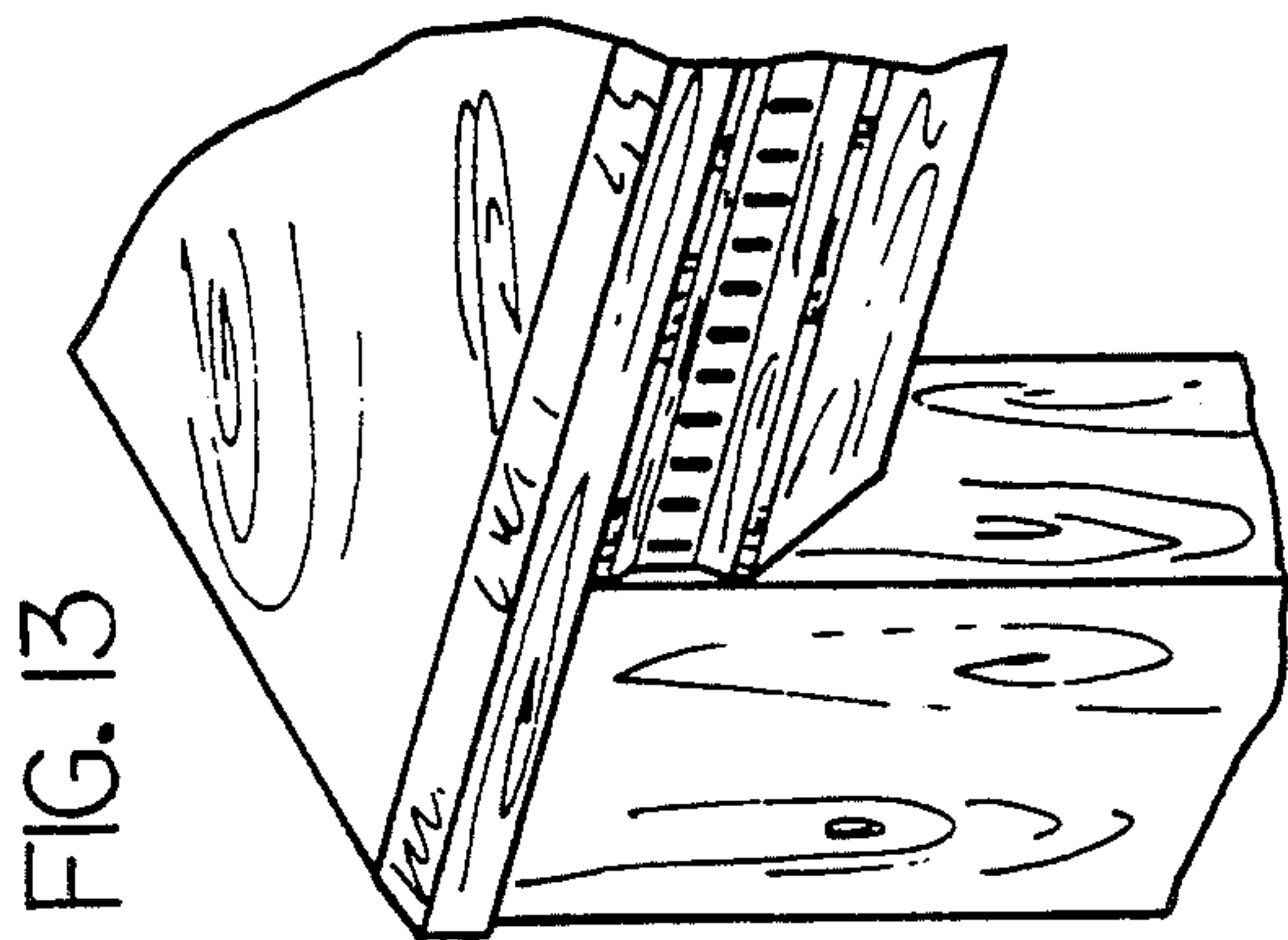


FIG. 13

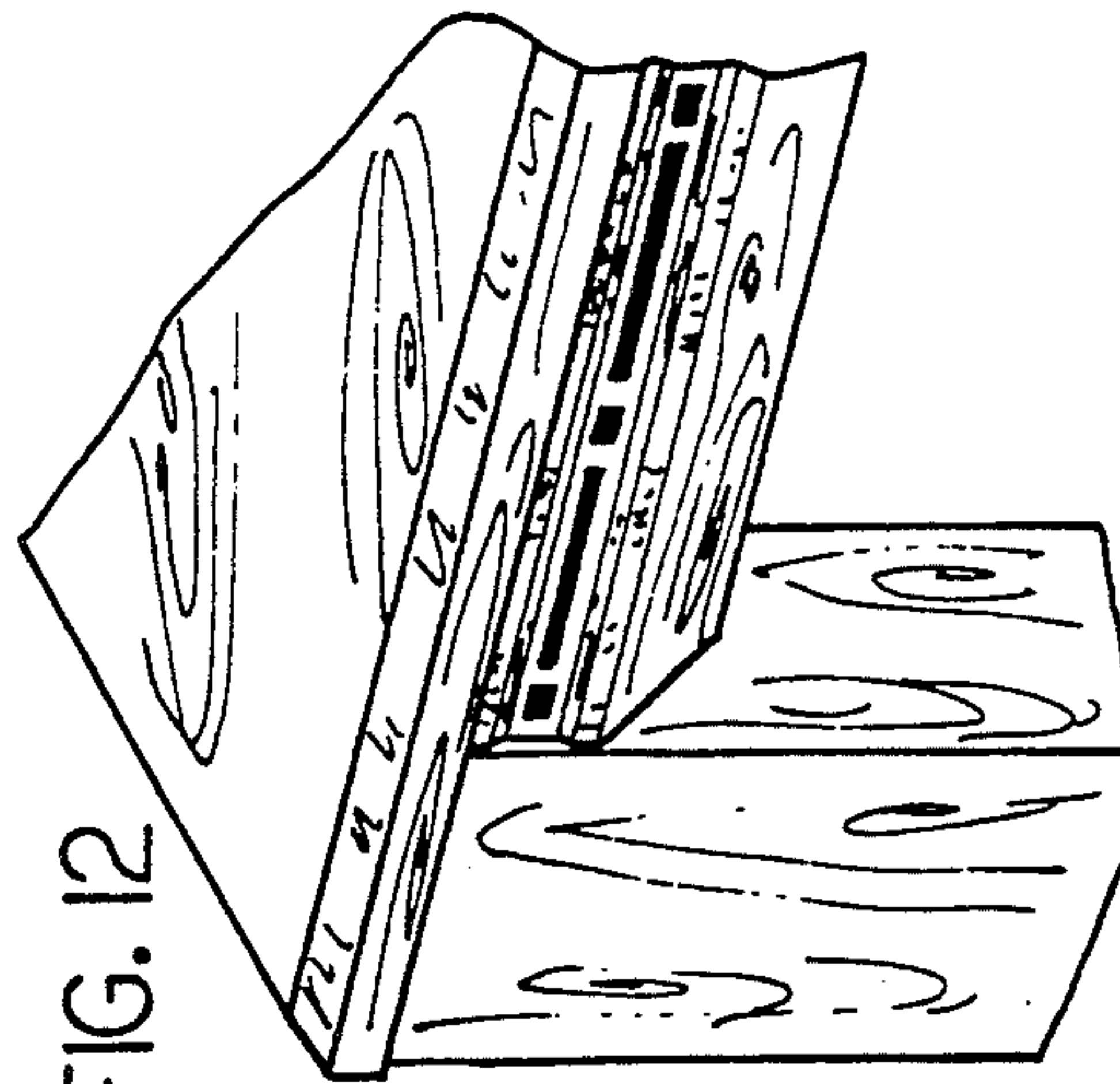


FIG. 12

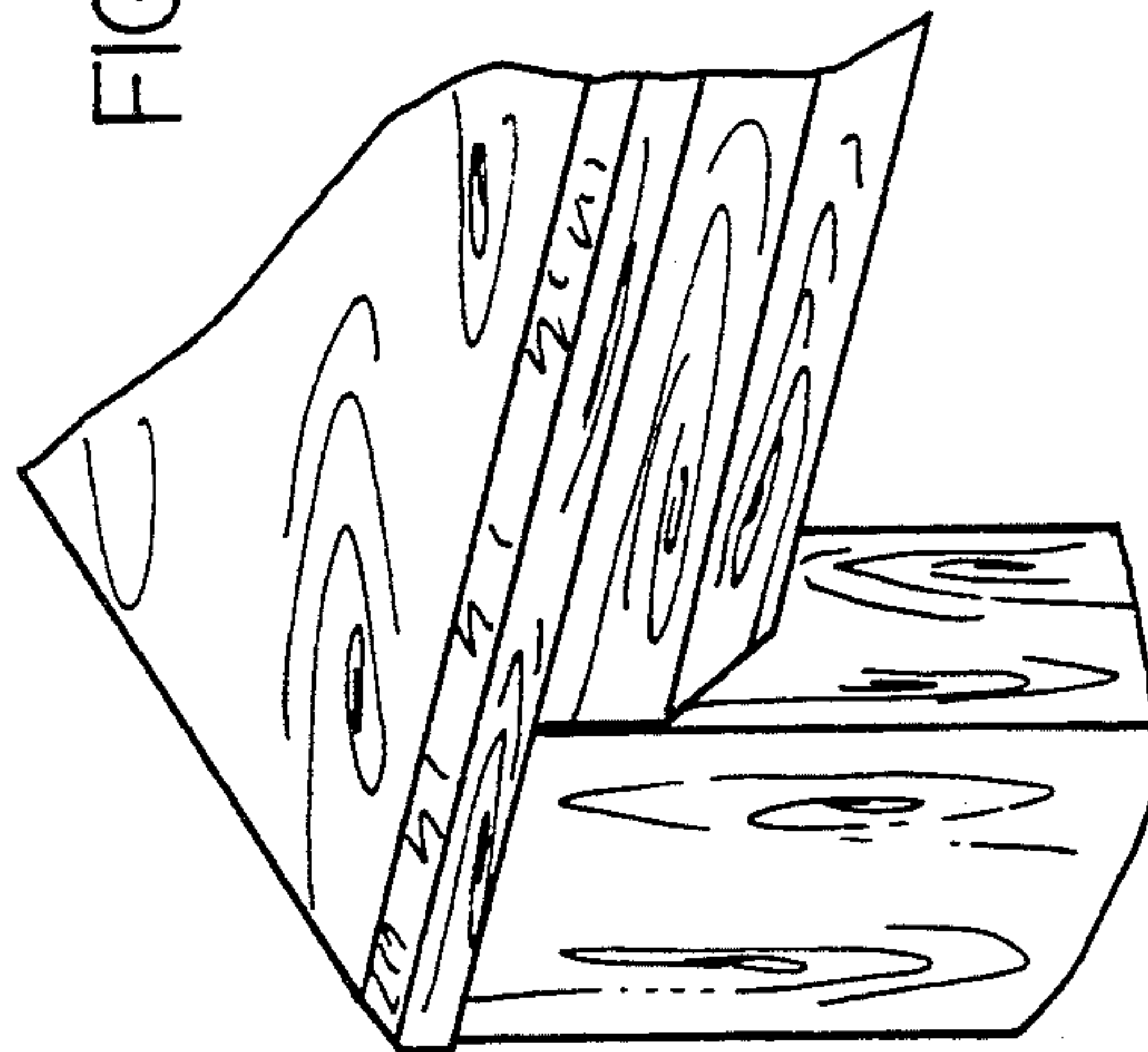


FIG. 10