



US00D330127S

# United States Patent [19]

[11] Patent Number: **Des. 330,127**

Song

[45] Date of Patent: **\*\* Oct. 13, 1992**

[54] **COMBINED PORTABLE TABLE AND SEATING UNIT**

|           |         |                |          |
|-----------|---------|----------------|----------|
| 4,131,311 | 12/1978 | Nikitis et al. | 297/159  |
| 4,653,804 | 3/1987  | Yoo et al.     | D6/429 X |
| 4,826,244 | 5/1989  | Choi           | 297/159  |
| 4,883,314 | 11/1989 | Sakong         | 297/159  |

[75] Inventor: **Dong-Sup Song, Seoul, Rep. of Korea**

*Primary Examiner*—Donald P. Walsh  
*Assistant Examiner*—Monica A. Hannon  
*Attorney, Agent, or Firm*—David H. Semmes

[73] Assignee: **Dong-II Commerce & Co., Ltd., Seoul, Rep. of Korea**

[\*\*] Term: **14 Years**

[57] **CLAIM**

[21] Appl. No.: **490,165**

The ornamental design for a combined portable table and seating unit, as shown and described.

[22] Filed: **Mar. 6, 1990**

[52] U.S. Cl. .... **D6/429; D6/335; D6/337; 108/35; 297/157; 297/159**

**DESCRIPTION**

[58] Field of Search ..... **D6/429; 108/35; 297/157, 159**

FIG. 1 is a front perspective view of a combined portable table and seating unit in a folded position, showing my new design;

[56] **References Cited**

**U.S. PATENT DOCUMENTS**

|            |        |                    |           |
|------------|--------|--------------------|-----------|
| D. 280,367 | 9/1985 | Reamer, Jr. et al. | D6/429    |
| 2,080,982  | 5/1937 | MacDonald          | 297/159 X |
| 2,934,386  | 4/1960 | Shore              | 108/35    |
| 2,991,829  | 7/1961 | Post               | D6/429 X  |
| 4,070,057  | 1/1978 | Jones              | 297/159   |

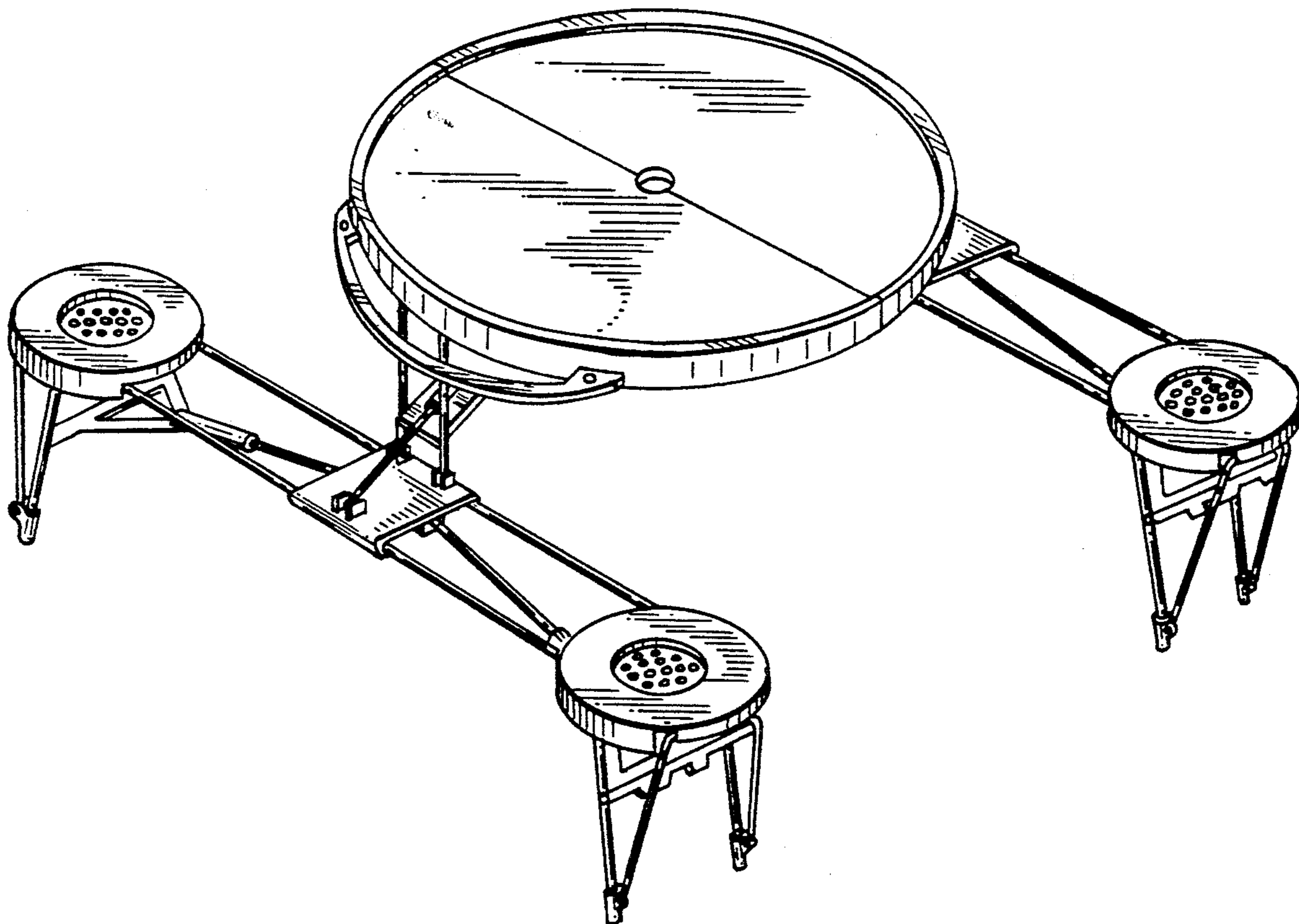
FIG. 2 is a front perspective view in an open position thereof;

FIG. 3 is a top plan view thereof;

FIG. 4 is a rear elevational view thereof;

FIG. 5 is a side elevational view, the opposite side being identical thereof; and,

FIG. 6 is a bottom plan view thereof.



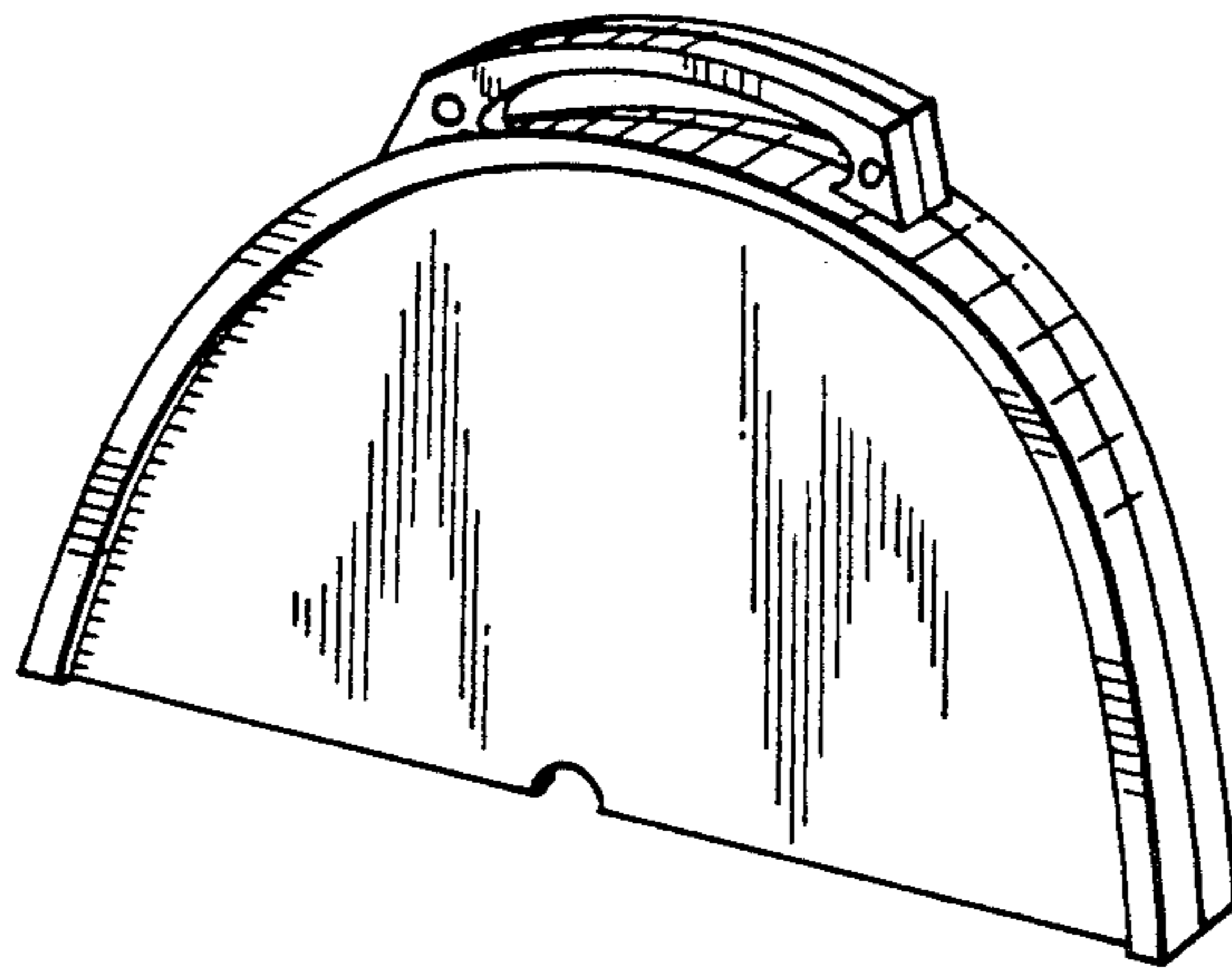


FIG. 1

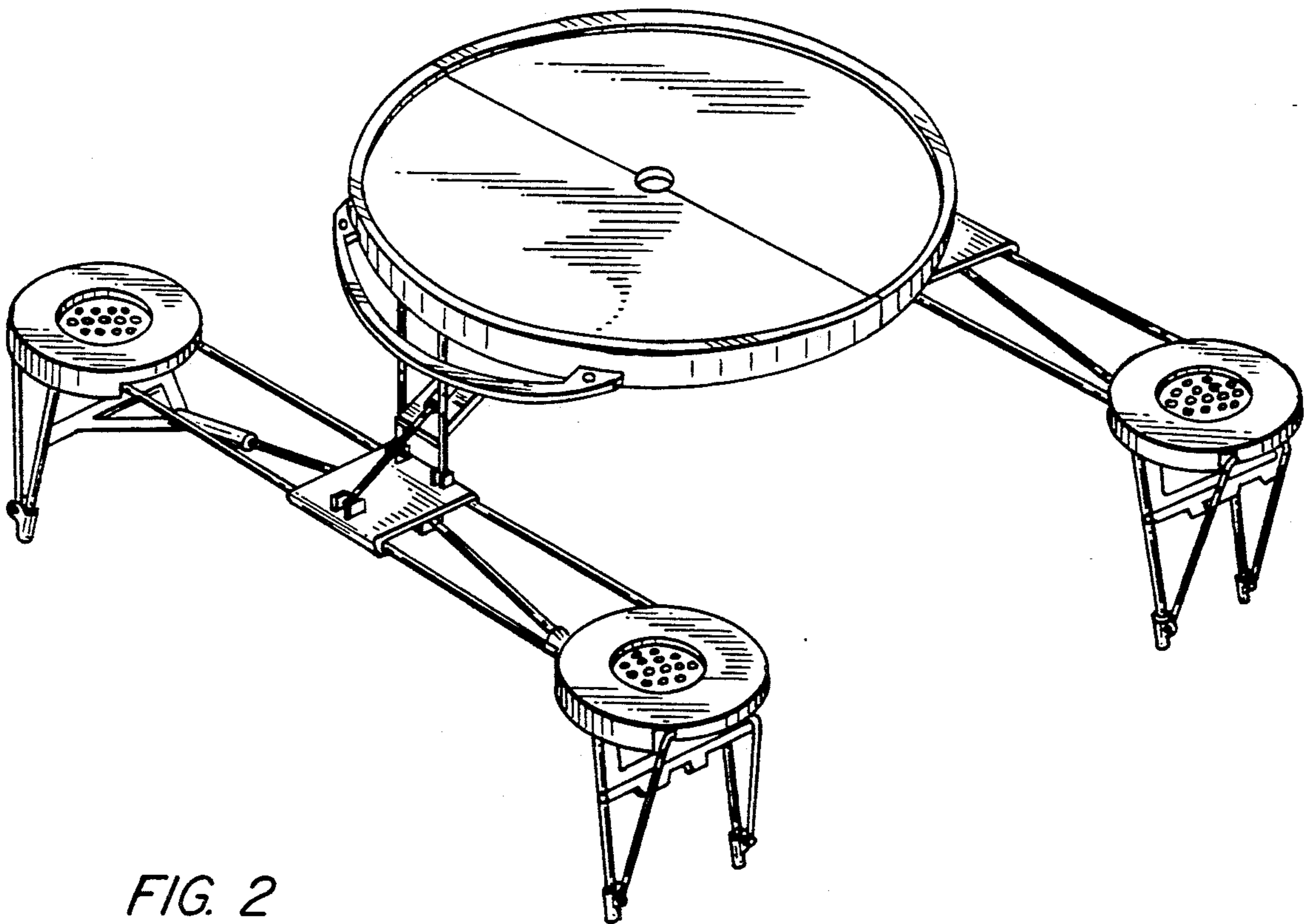


FIG. 2

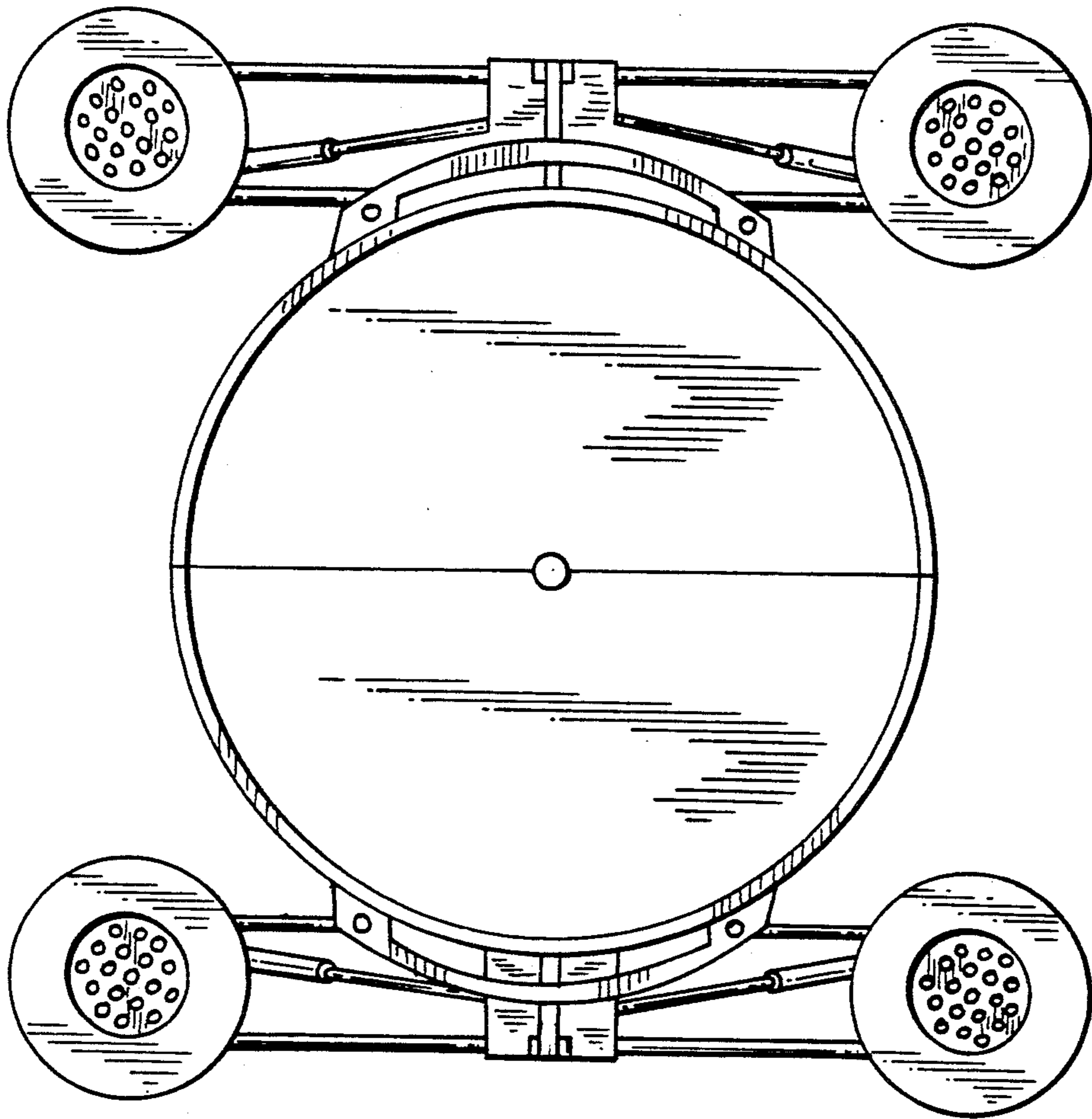


FIG. 3

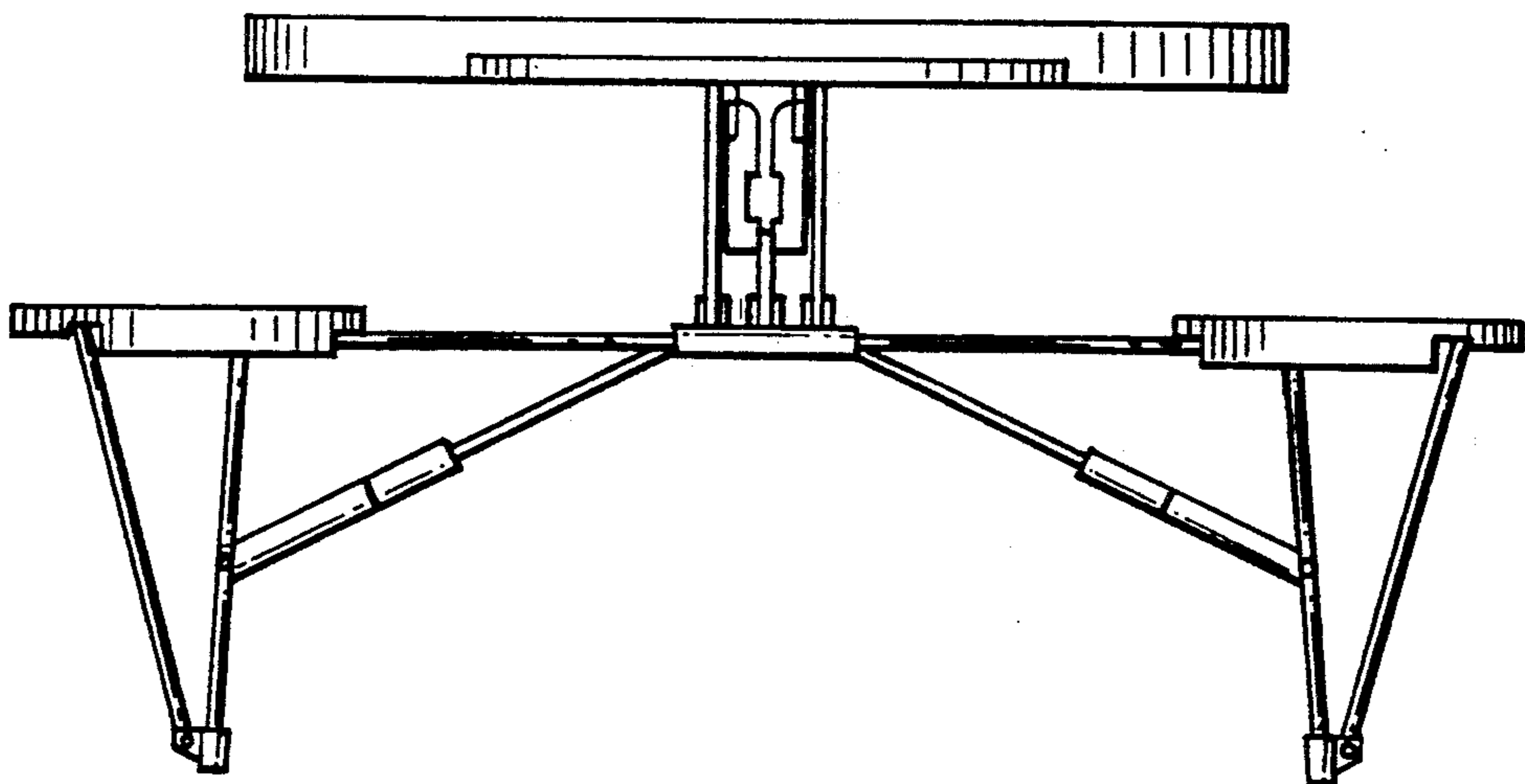


FIG. 4

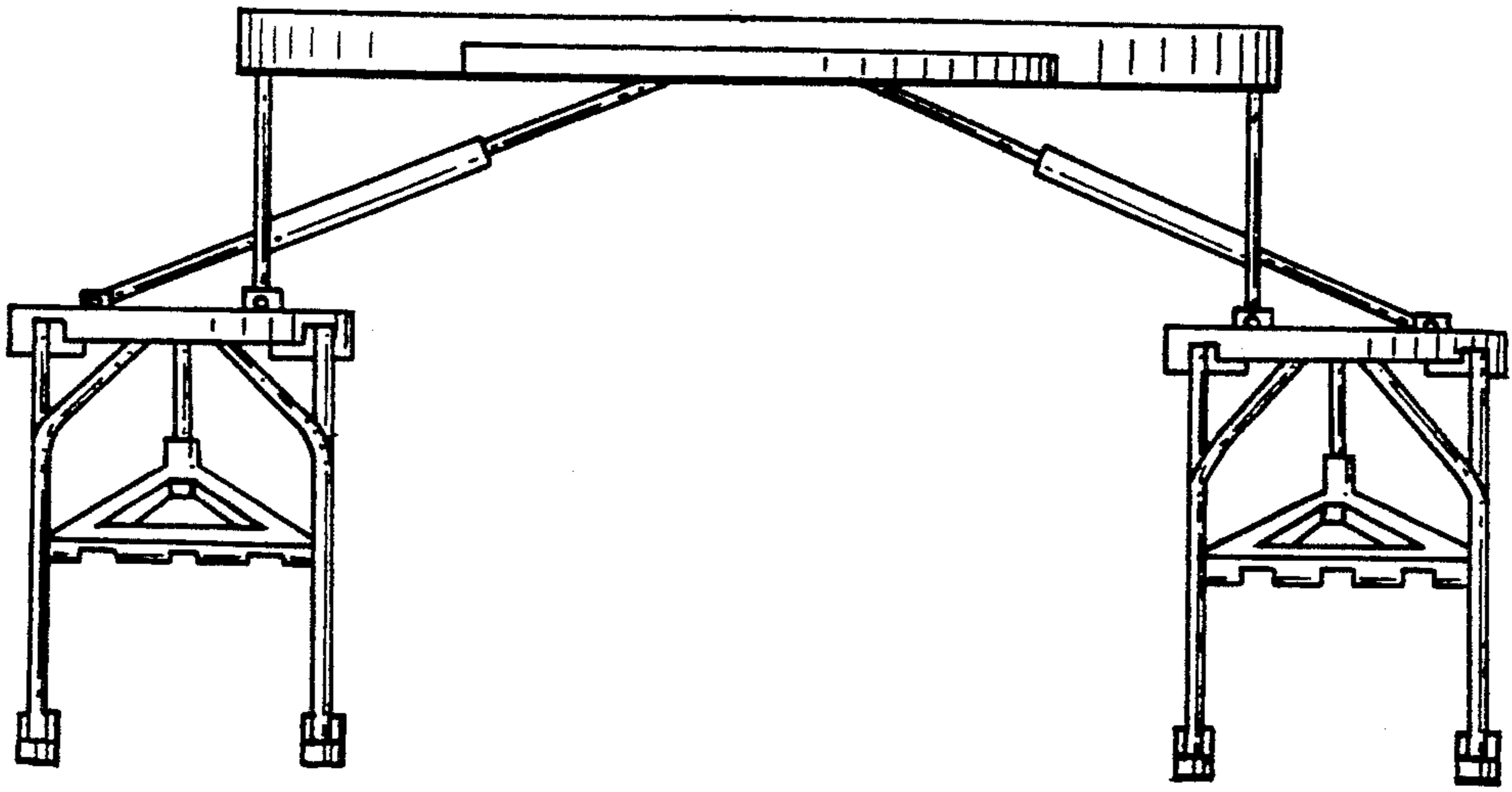


FIG. 5

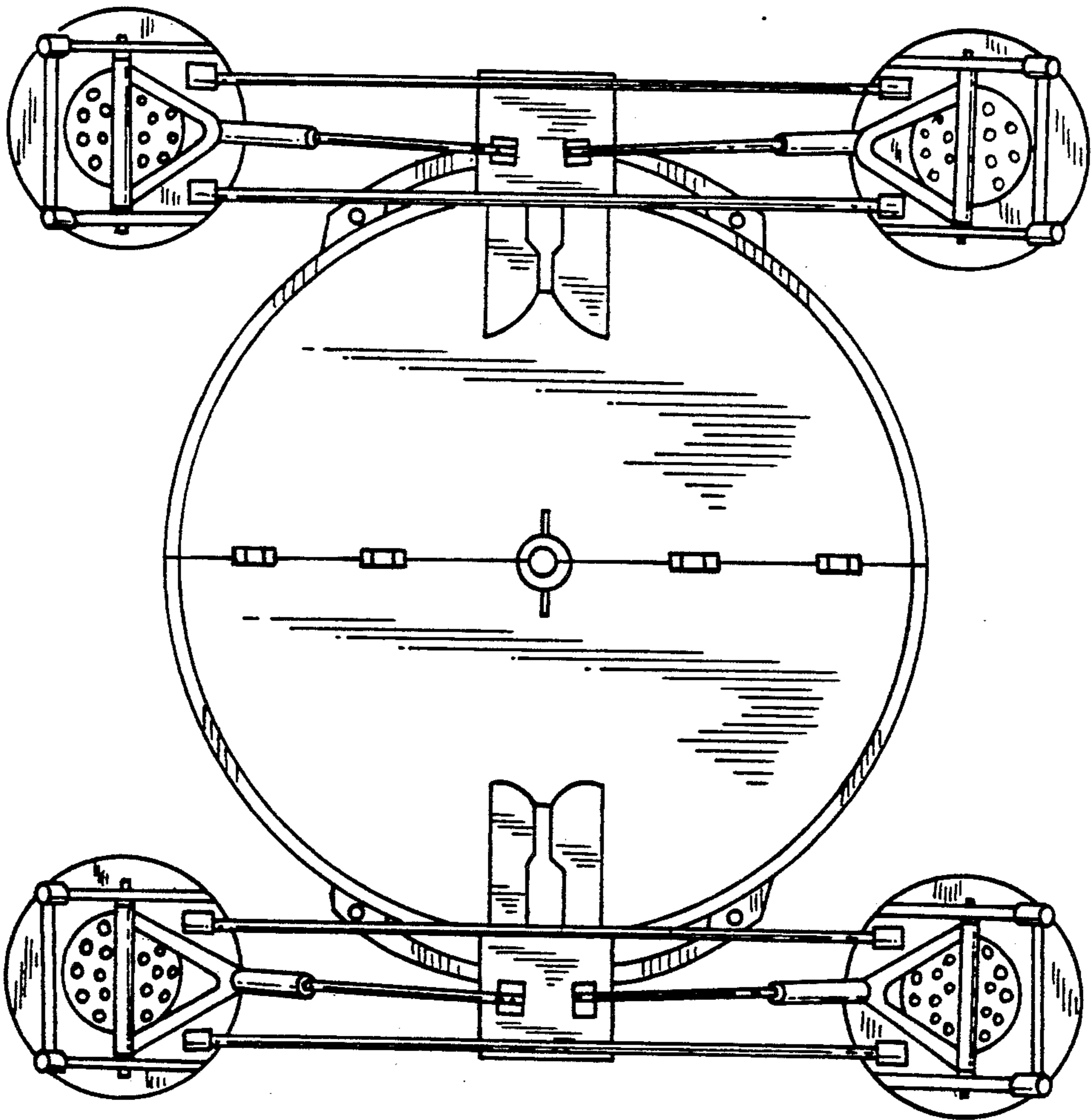


FIG. 6