



US00D330121S

United States Patent [19]

[11] Patent Number: **Des. 330,121**

Wear et al.

[45] Date of Patent: **** Oct. 13, 1992**

[54] **MERCHANDISE DISPENSING SHELF**

D. 290.790	7/1987	Nathan et al.	D6/408
4,690,287	9/1987	Fershko et al.	211/49.1
4,762,236	8/1988	Jackle, III et al.	211/59.3
4,801,025	1/1989	Flum et al.	211/128

[76] Inventors: **Philip A. Wear**, 5900 Carter La.,
Minnetonka, Minn. 55343; **Stuart C. W. Wear**, 5636 Rebecca La.,
Minnetonka, Minn. 55344

Primary Examiner—Carmen H. Vales-Lado
Attorney, Agent, or Firm—Leo Gregory

[**] Term: **14 Years**

[57] **CLAIM**

[21] Appl. No.: **542,391**

The ornamental design for a merchandise dispensing shelf, as shown and described.

[22] Filed: **Jun. 22, 1990**

DESCRIPTION

[52] U.S. Cl. **D6/408; D19/92**

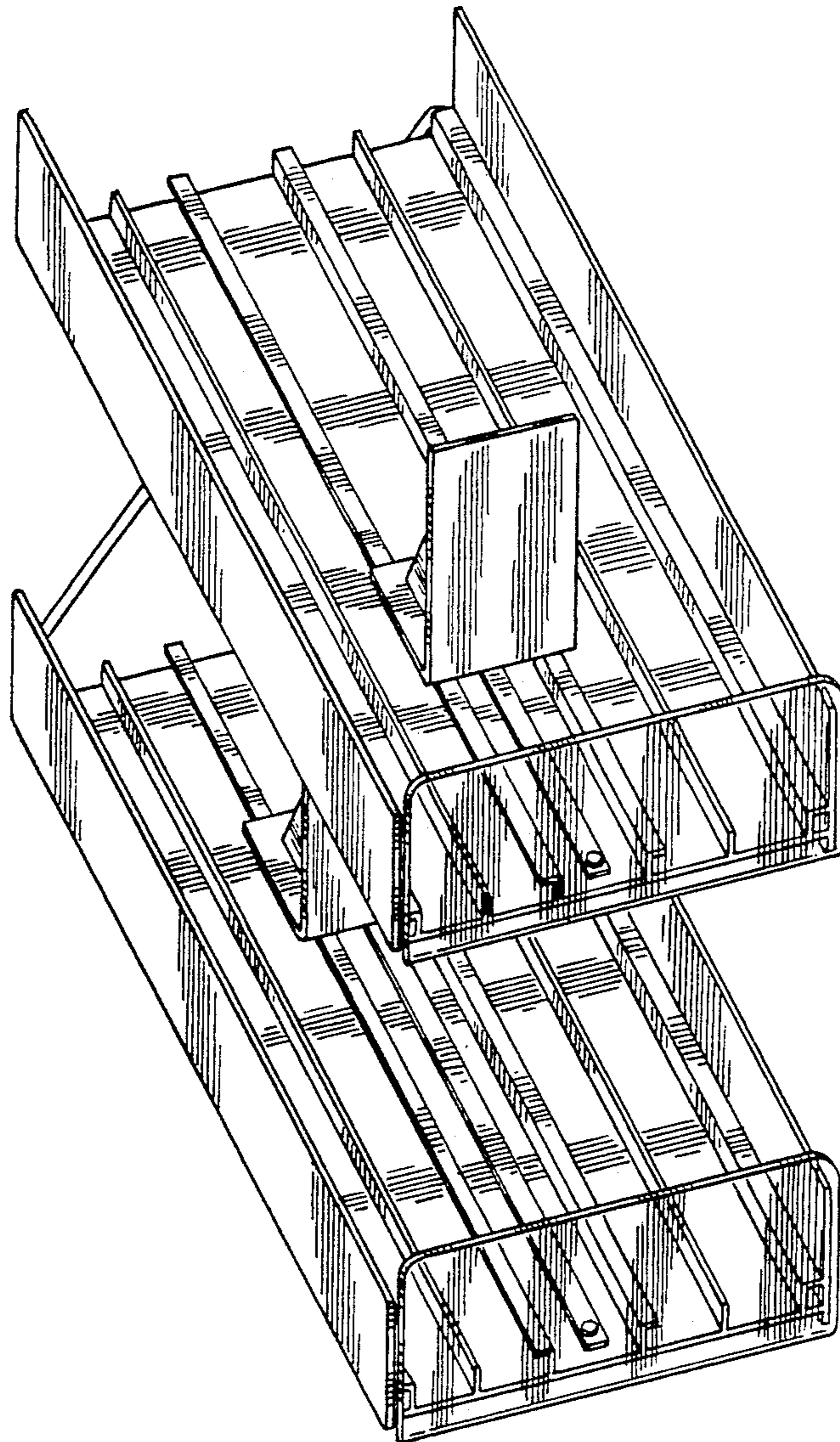
[58] Field of Search **D6/407, 408; D19/92;**
211/49.1, 59.3, 59.2, 128

FIG. 1 is a top plan view of a merchandise dispensing shelf showing my new design;
FIG. 2 is a side elevational view thereof, the opposite side being a mirror image thereof;
FIG. 3 is a bottom plan view thereof;
FIG. 4 is a front end elevational view thereof;
FIG. 5 is a rear end elevational view thereof; and,
FIG. 6 is a top perspective view thereof.

[56] References Cited

U.S. PATENT DOCUMENTS

D. 217.790	6/1970	Oddo	D19/92
D. 266.297	9/1982	Zaro	D6/408



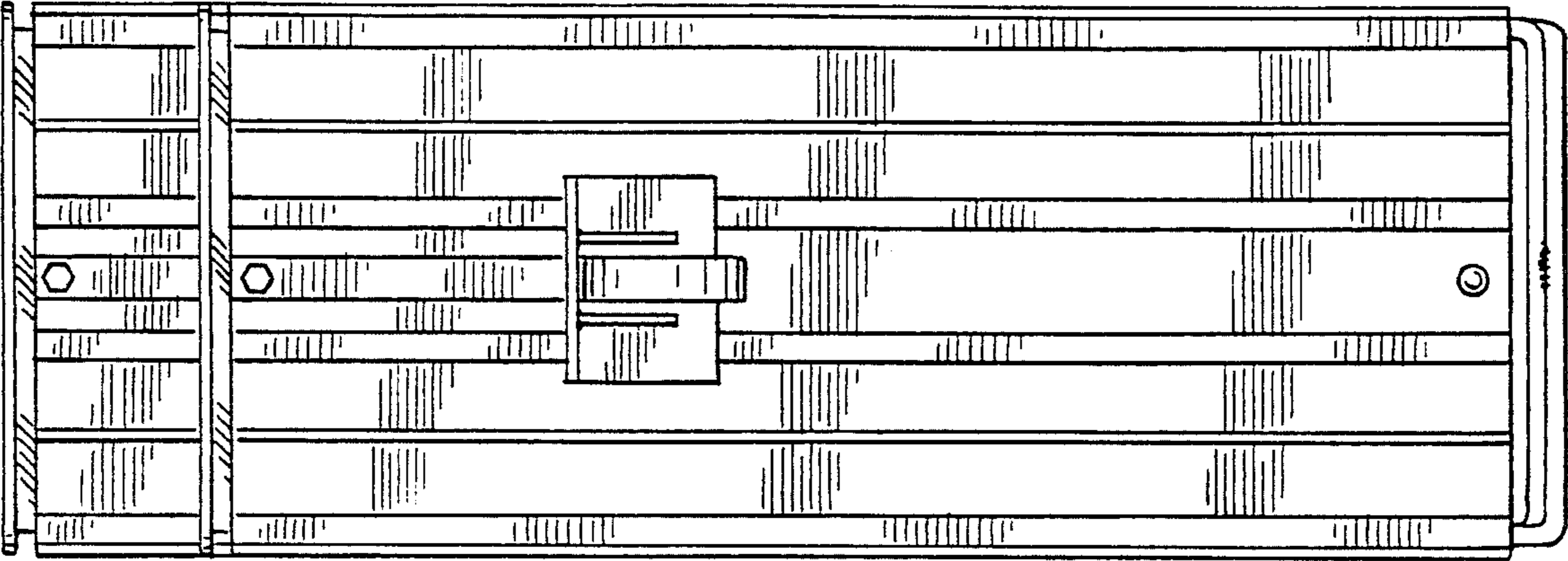


FIG. 1

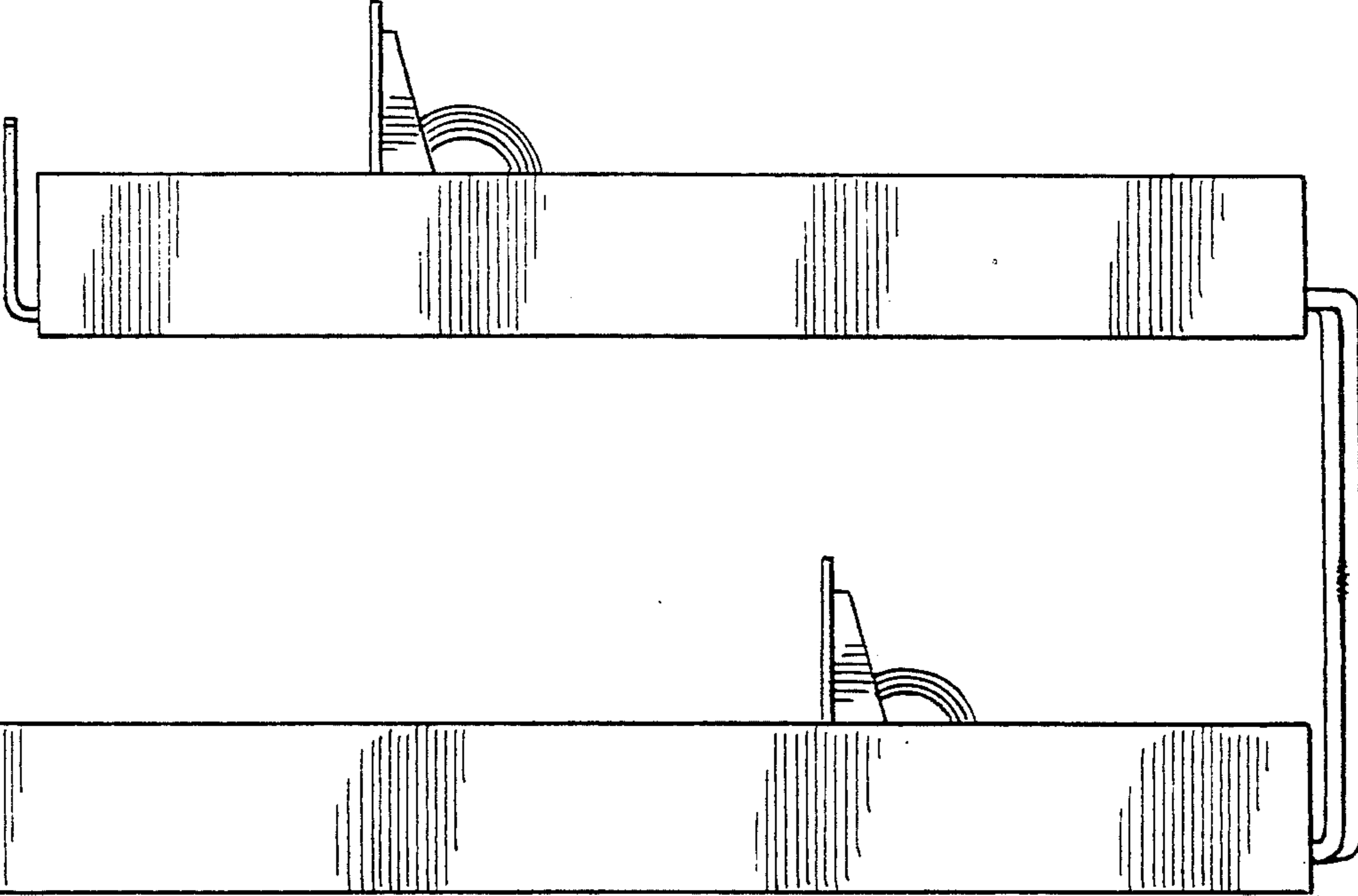


FIG. 2

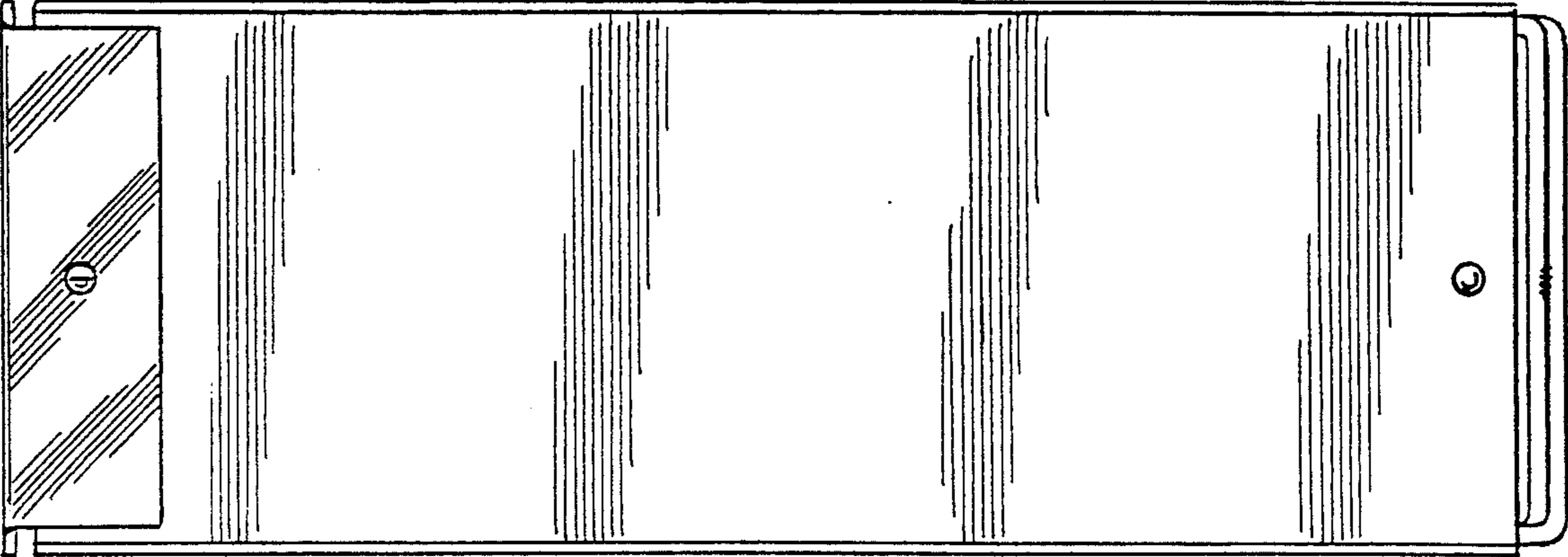


FIG. 3

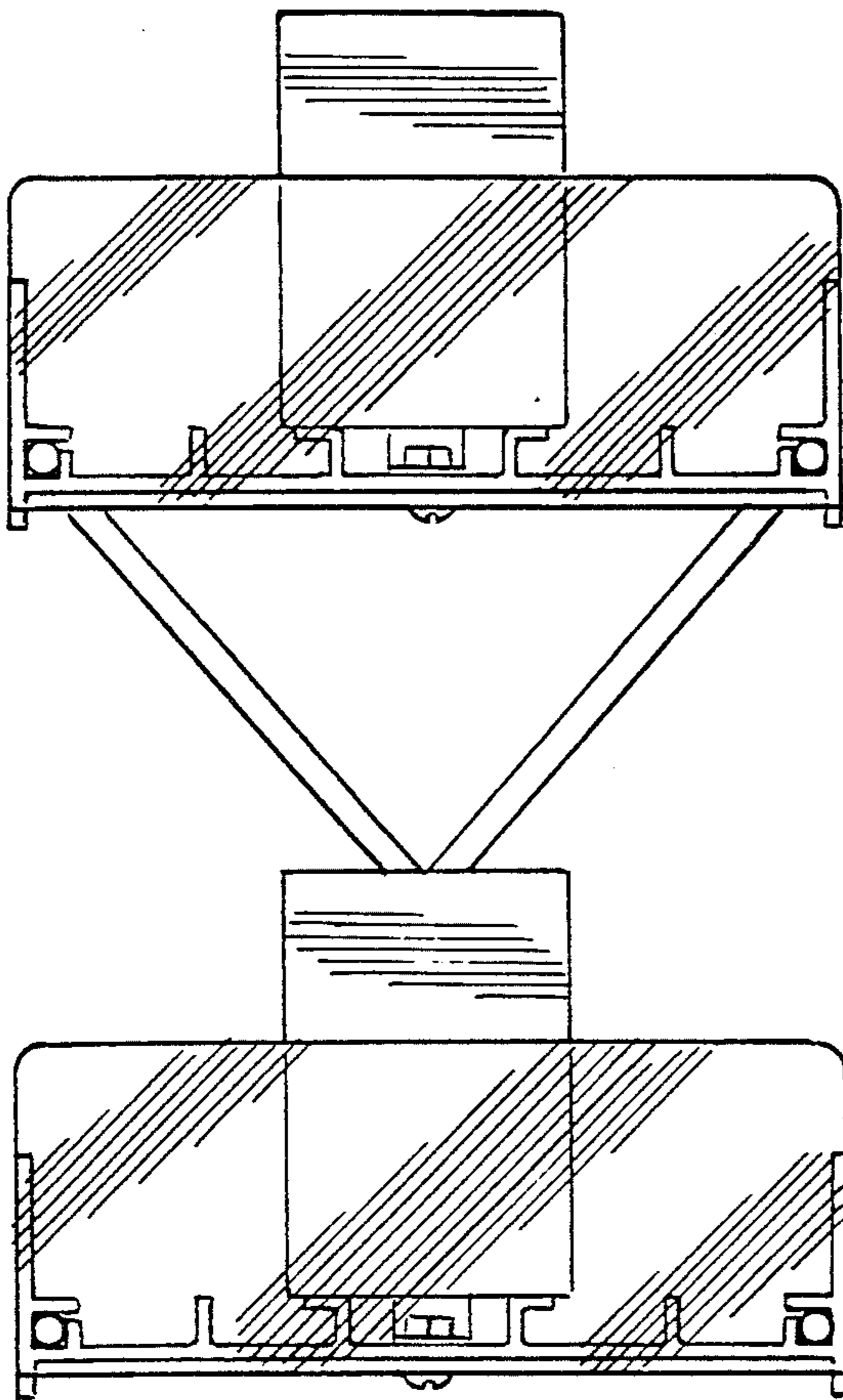


FIG. 4

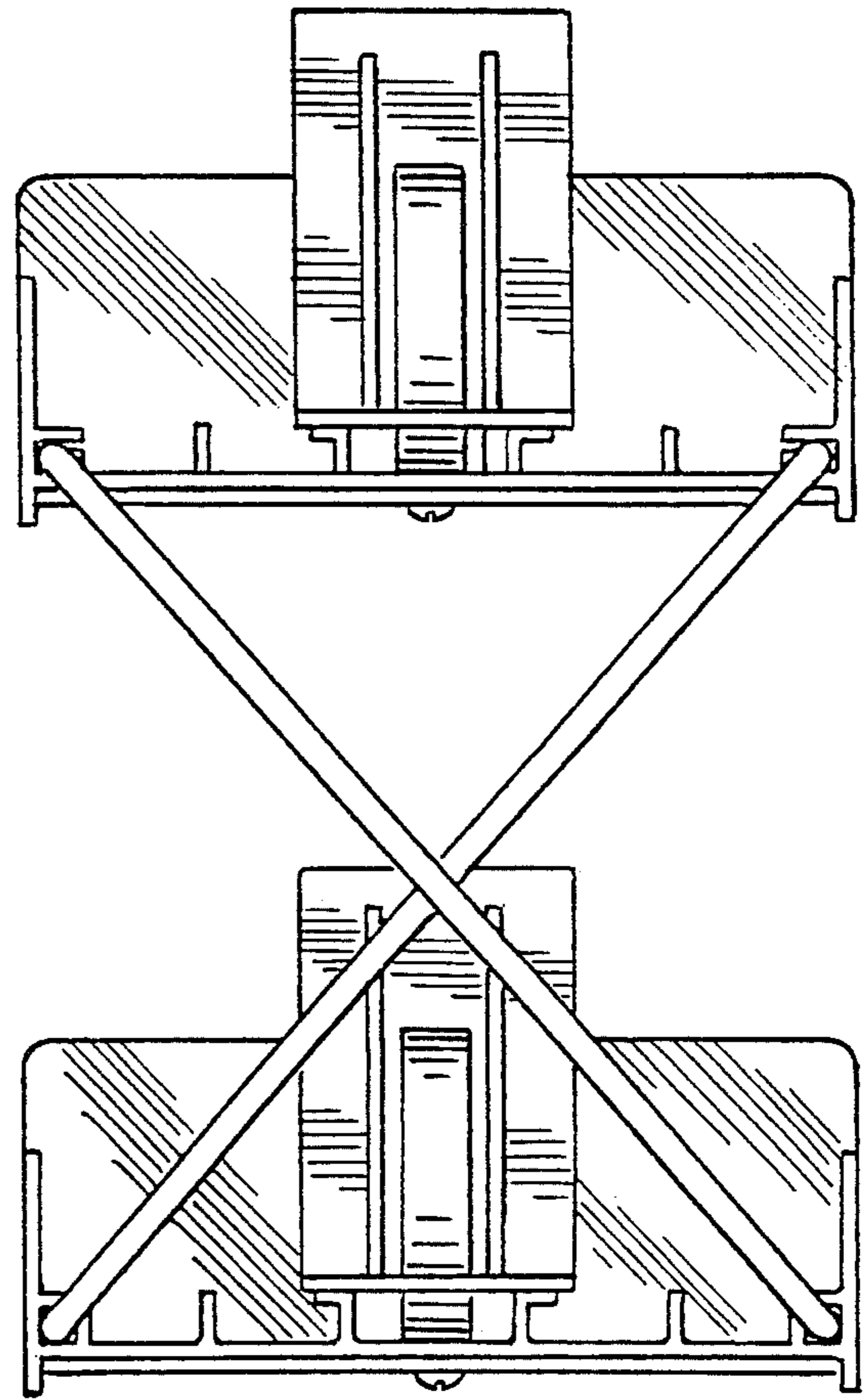


FIG. 5

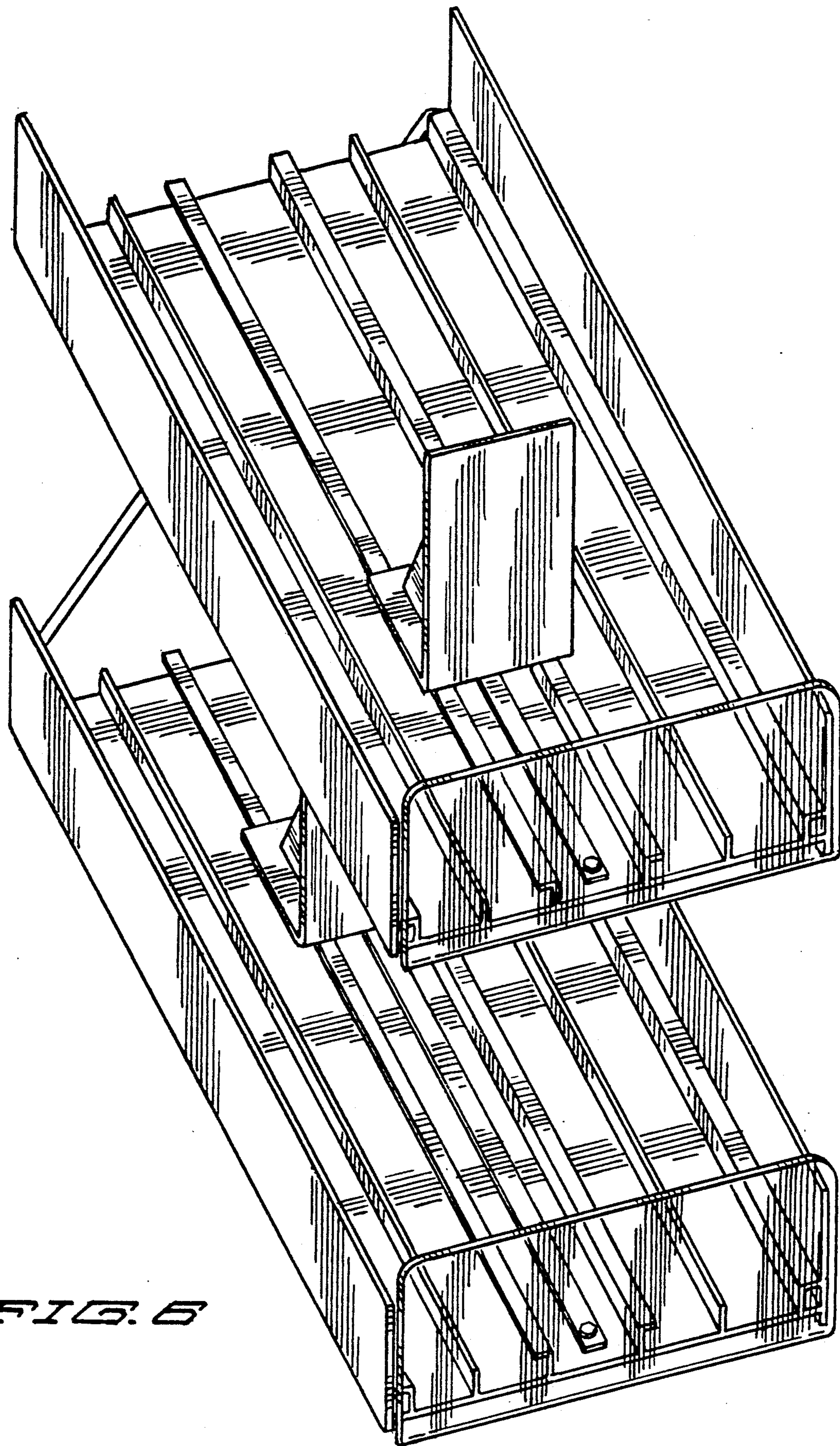


FIG. 6