



US00D330120S

United States Patent [19]

[11] Patent Number: **Des. 330,120**

Temple et al.

[45] Date of Patent: **** Oct. 13, 1992**

[54] **STORAGE CABINET FOR COMPACT DISCS**

[75] Inventors: **James M. Temple; Scot E. Sullivan**, both of Boulder; **Robert P. Stanley**, Longmont; **James A. Bergh**, Boulder, all of Colo.

[73] Assignee: **Case Logic, Inc.**, Longmont, Colo.

[**] Term: **14 Years**

[21] Appl. No.: **526,804**

[22] Filed: **May 21, 1990**

[52] U.S. Cl. **D6/407; D3/35; D3/74; D6/559**

[58] **Field of Search** D3/30.1, 35, 36, 38, D3/39, 44, 49, 52, 53, 56, 60, 71-75, 78, 79, 99; D6/359, 407, 423, 432, 559, 569; D9/337; D19/26, 28, 76, 92; 150/102, 147; 190/11, 16; 206/45, 45.13, 45.23, 214, 309-313, 373, 387, 412, 475, 444, 472, 496, 561; 220/4.21, 4.23, 507, 520, 555; 224/205; 294/149, 150

[56] **References Cited**

U.S. PATENT DOCUMENTS

- D. 278,112 3/1985 Stanton D6/407
- D. 289,342 4/1987 Reichon D6/407
- D. 298,287 1/1988 Stravitz D6/407

- D. 307,977 5/1990 Egly et al. D3/35
- D. 321,271 11/1991 Mark D3/35
- 3,856,369 12/1974 Commiant 206/387

FOREIGN PATENT DOCUMENTS

- 8601177 1/1988 France 206/444

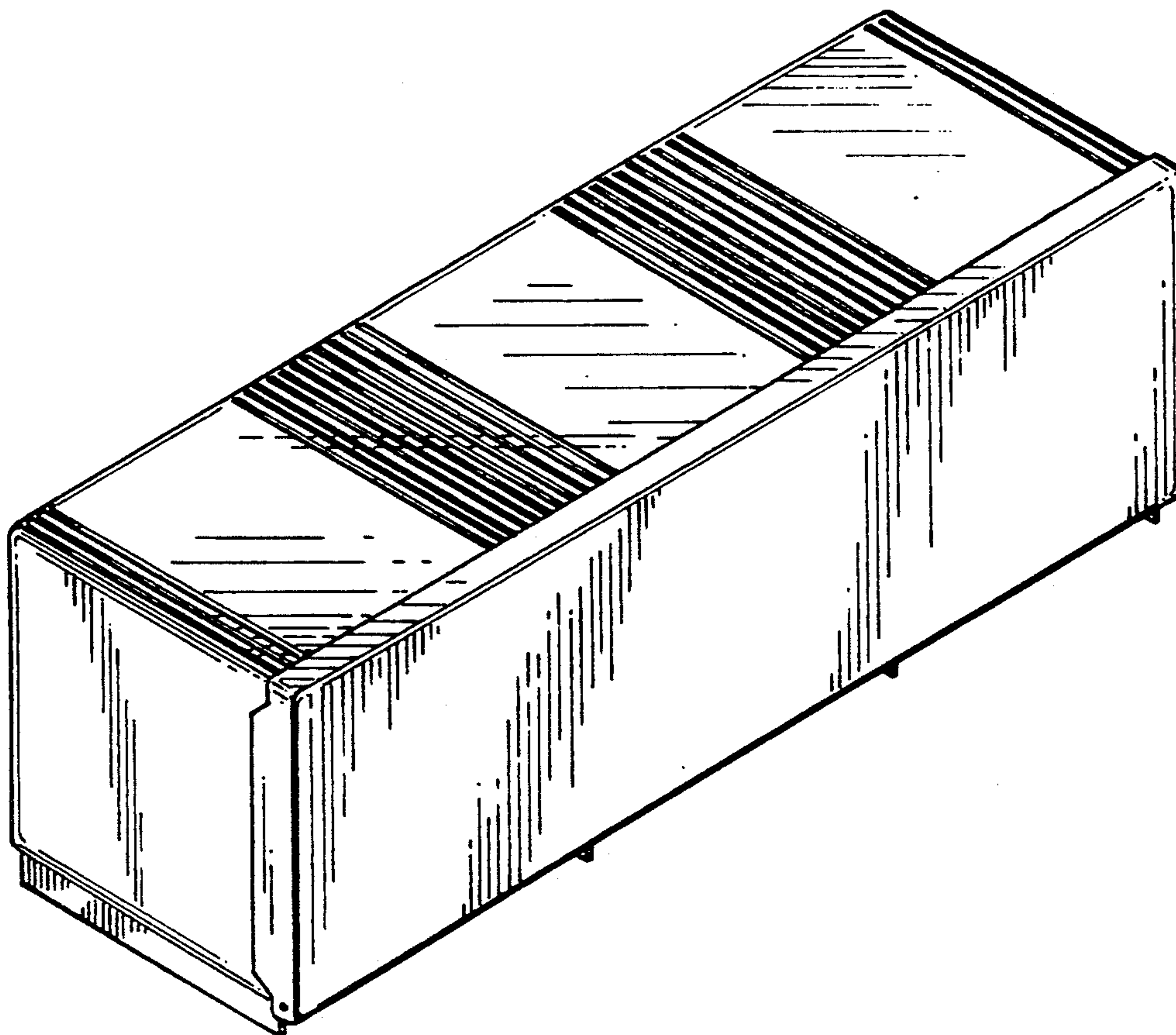
Primary Examiner—A. Hugo Word
Assistant Examiner—Celia A. Murphy
Attorney, Agent, or Firm—Francis A. Sirr; Earl C. Hancock

[57] **CLAIM**

The ornamental design for a storage cabinet for compact discs, as shown and described.

DESCRIPTION

FIG. 1 is a front elevational view of a storage cabinet for compact discs showing our new design; FIG. 2 is a front elevational view thereof, being shown with the front cover in a lowered position; FIG. 3 is a left side elevational view of FIG. 1; FIG. 4 is a right side elevational view of FIG. 2; FIG. 5 is a bottom plan view of FIG. 1; FIG. 6 is a rear elevational view of FIG. 1; FIG. 7 is a top plan view of FIG. 1; FIG. 8 is a top plan view of FIG. 2; FIG. 9 is a front elevational view of FIG. 1; and, FIG. 10 is a rear perspective view of FIG. 1.



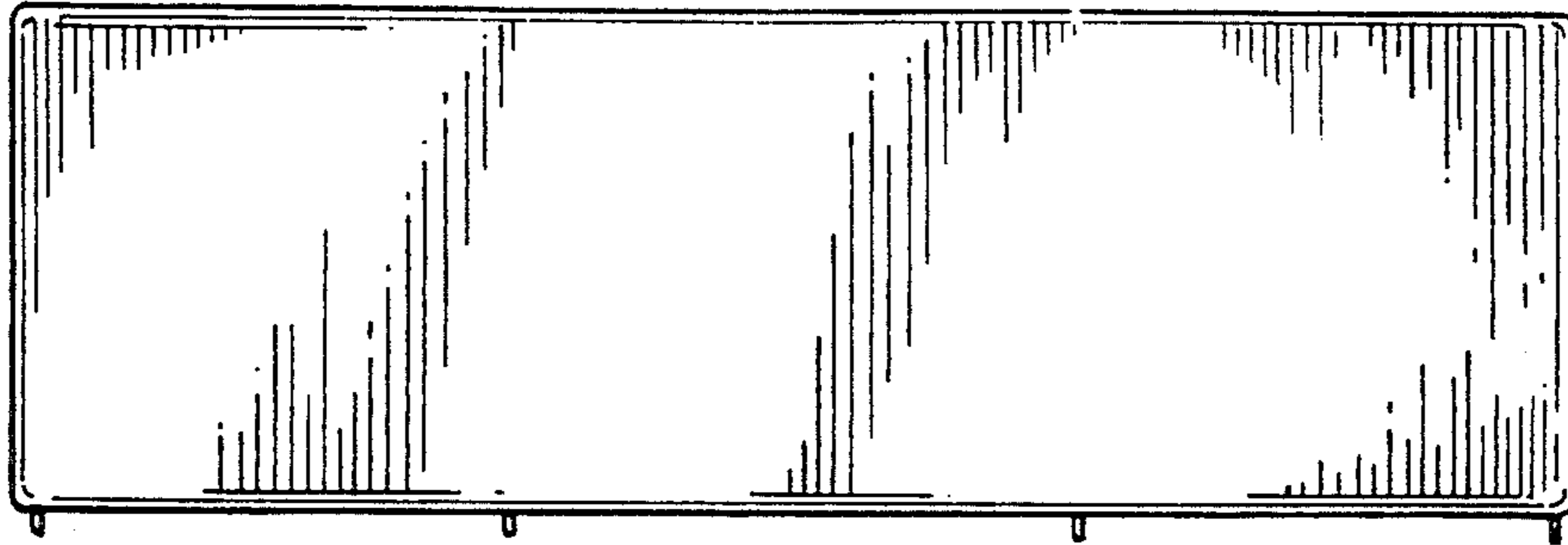


FIG. 1.

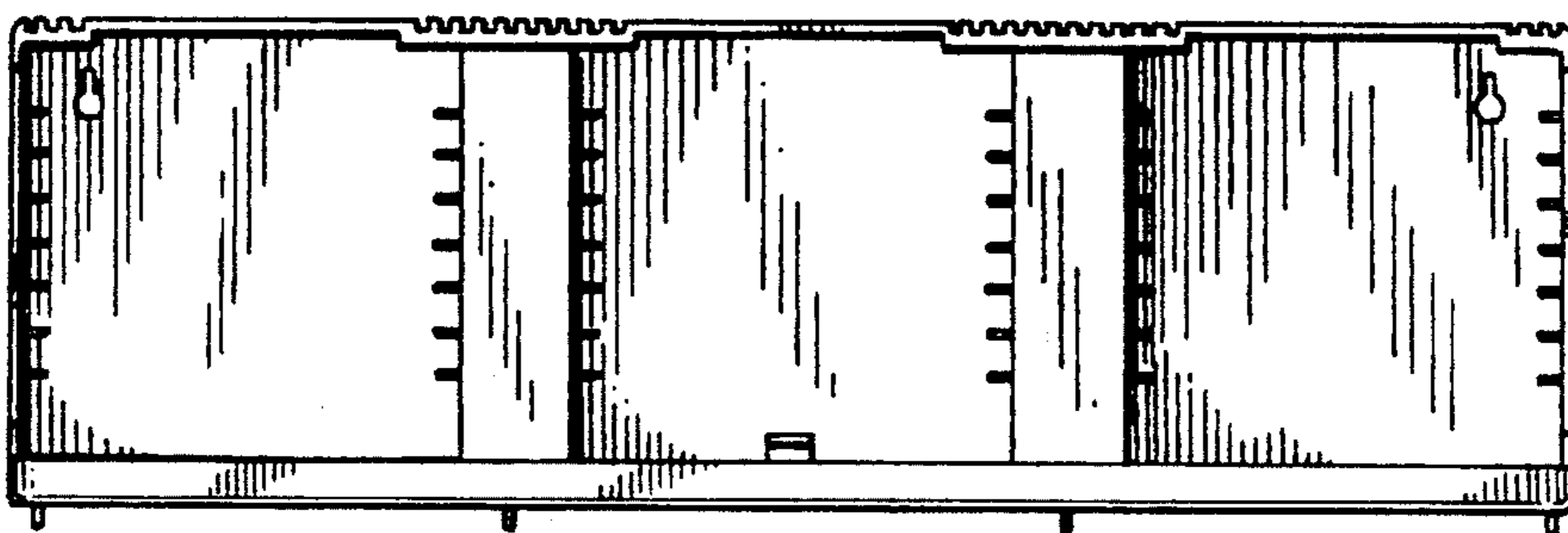


FIG. 2.

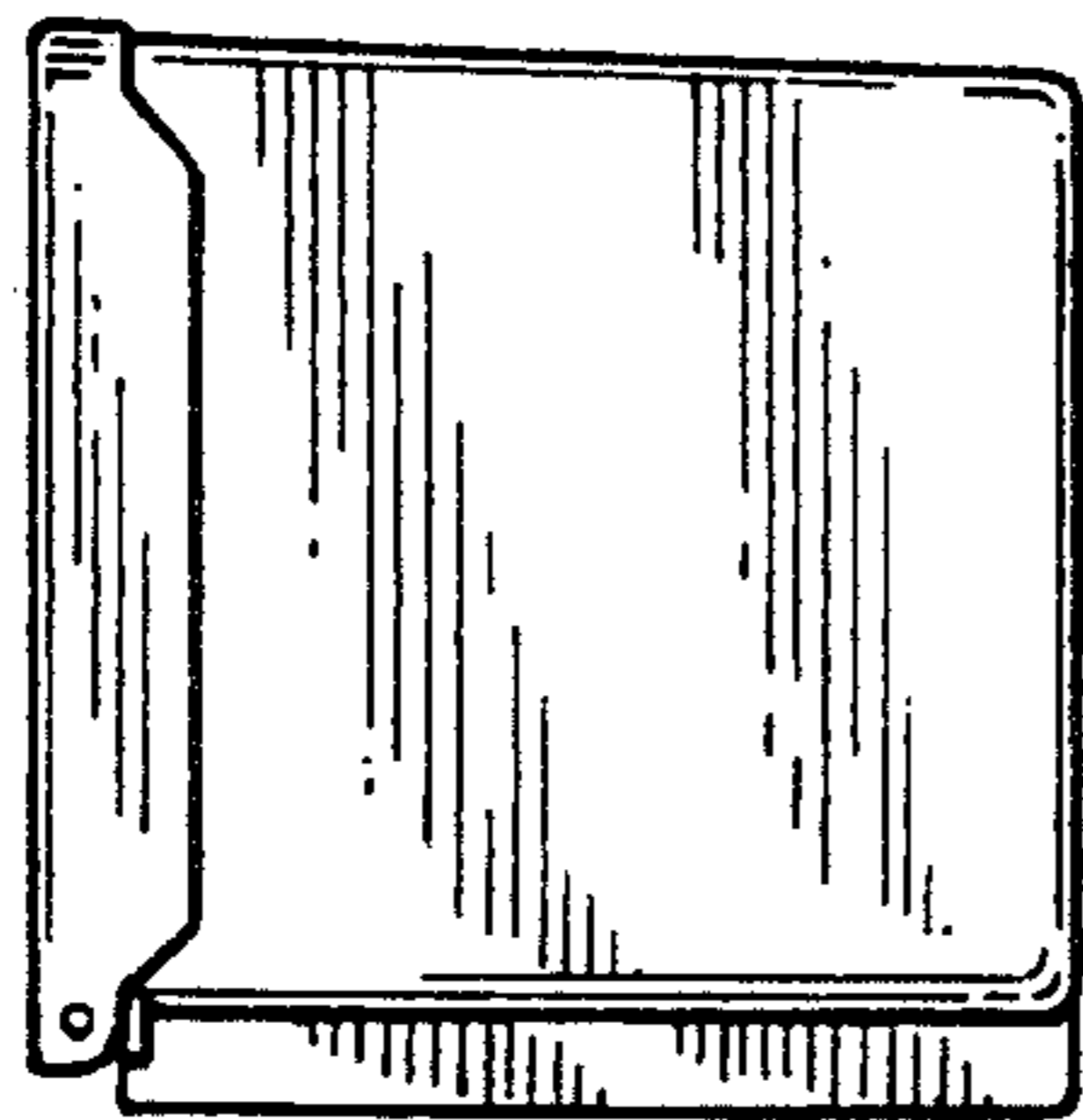


FIG. 3.

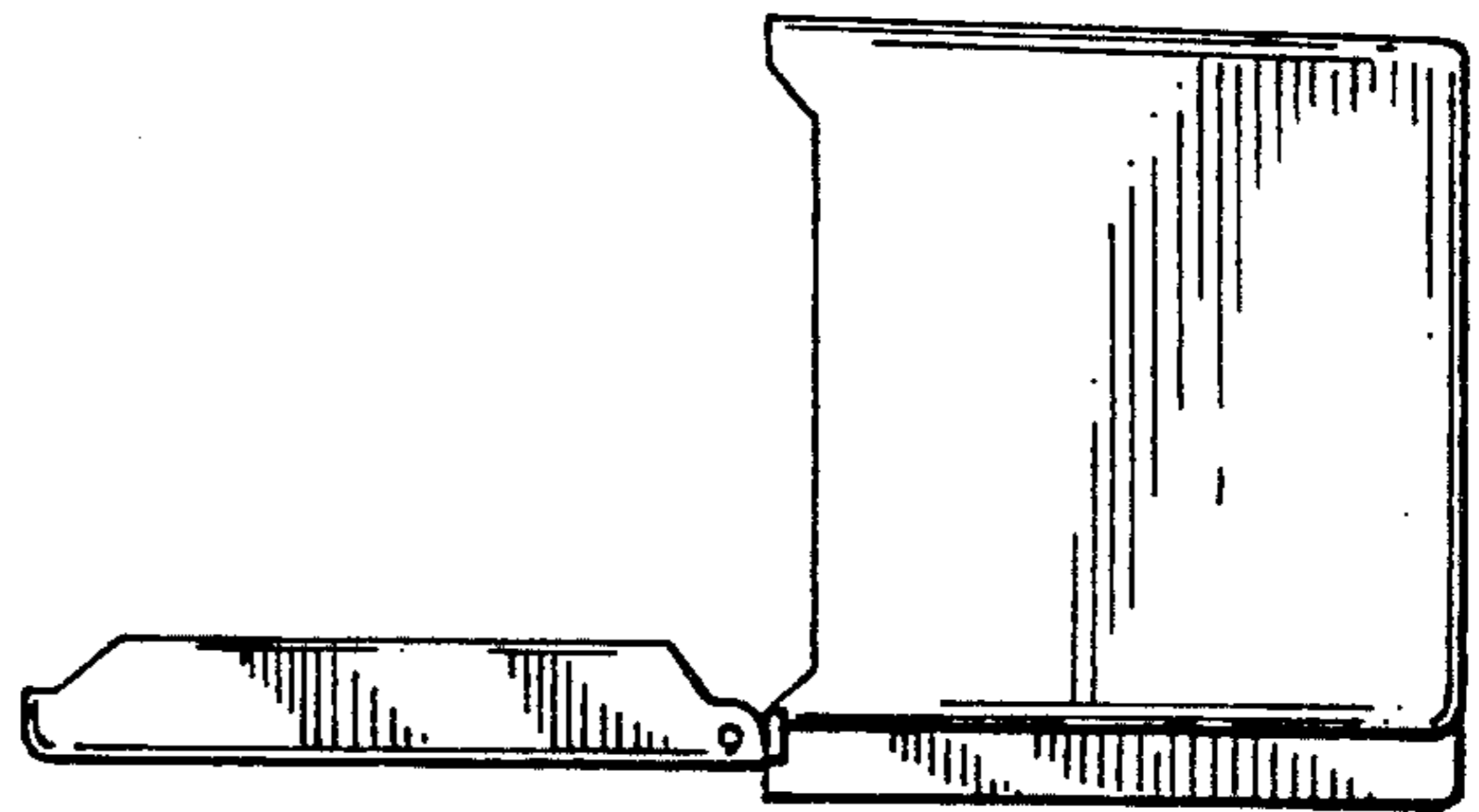


FIG. 4.

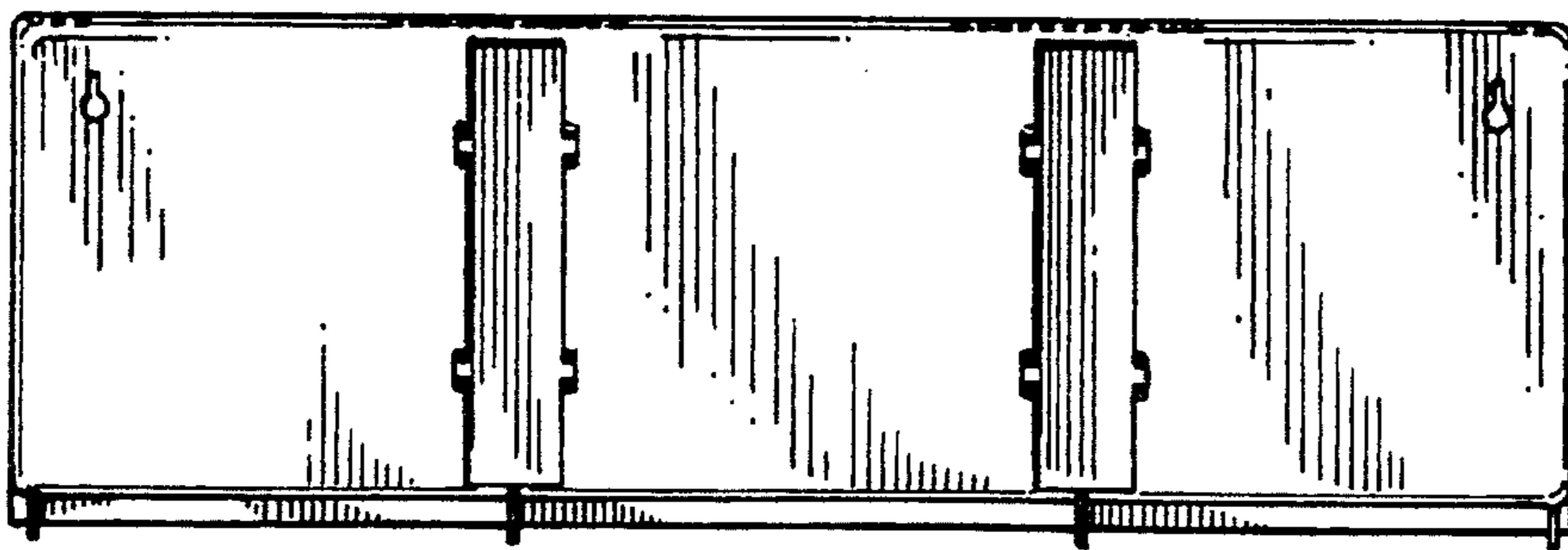


FIG. 6.

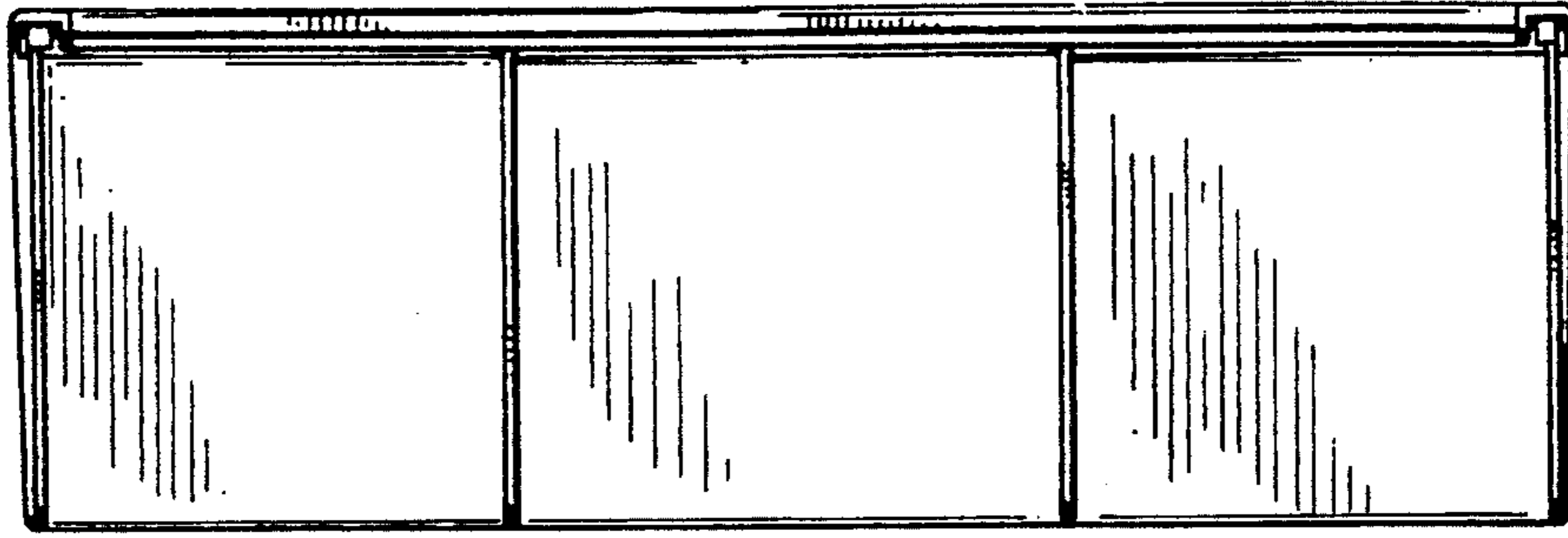


FIG. 5.

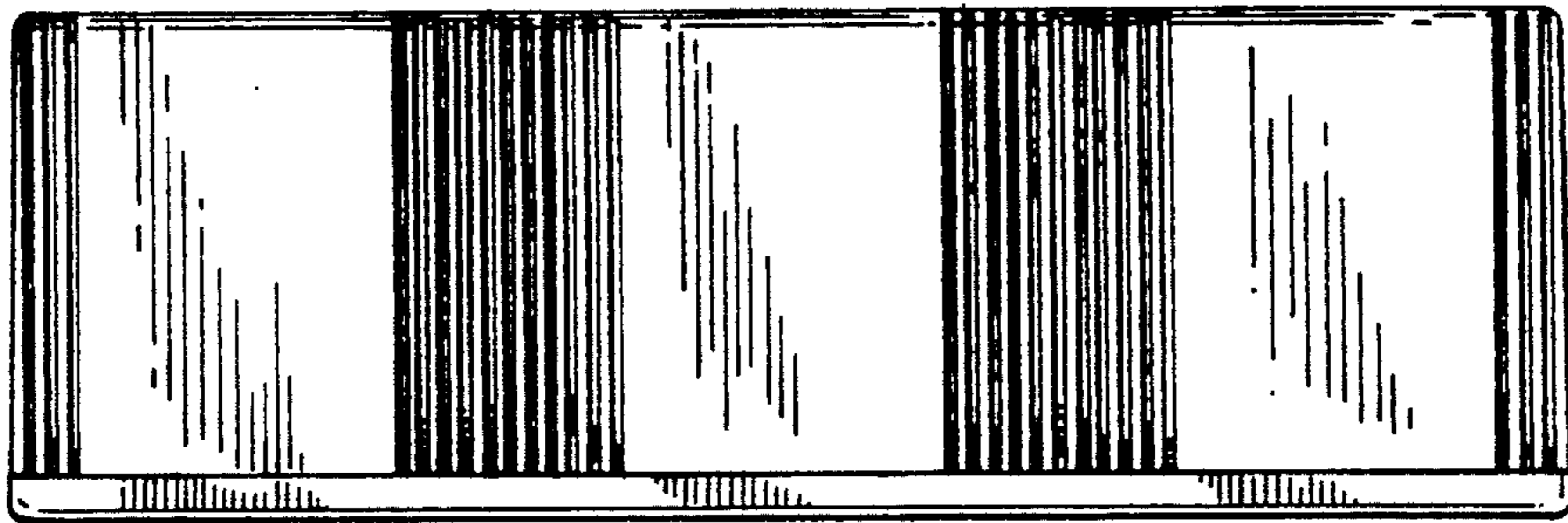


FIG. 7.

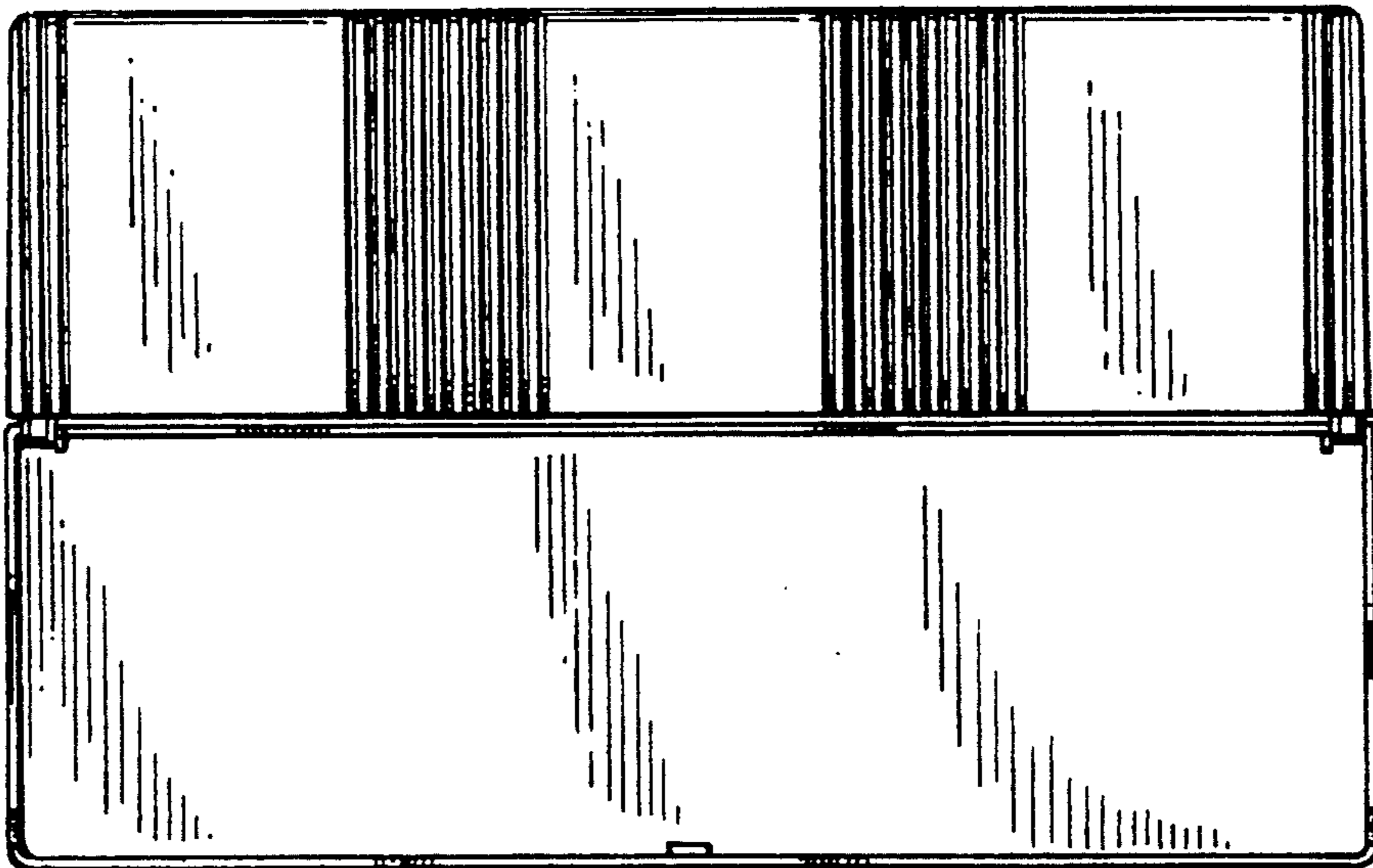


FIG. 8.

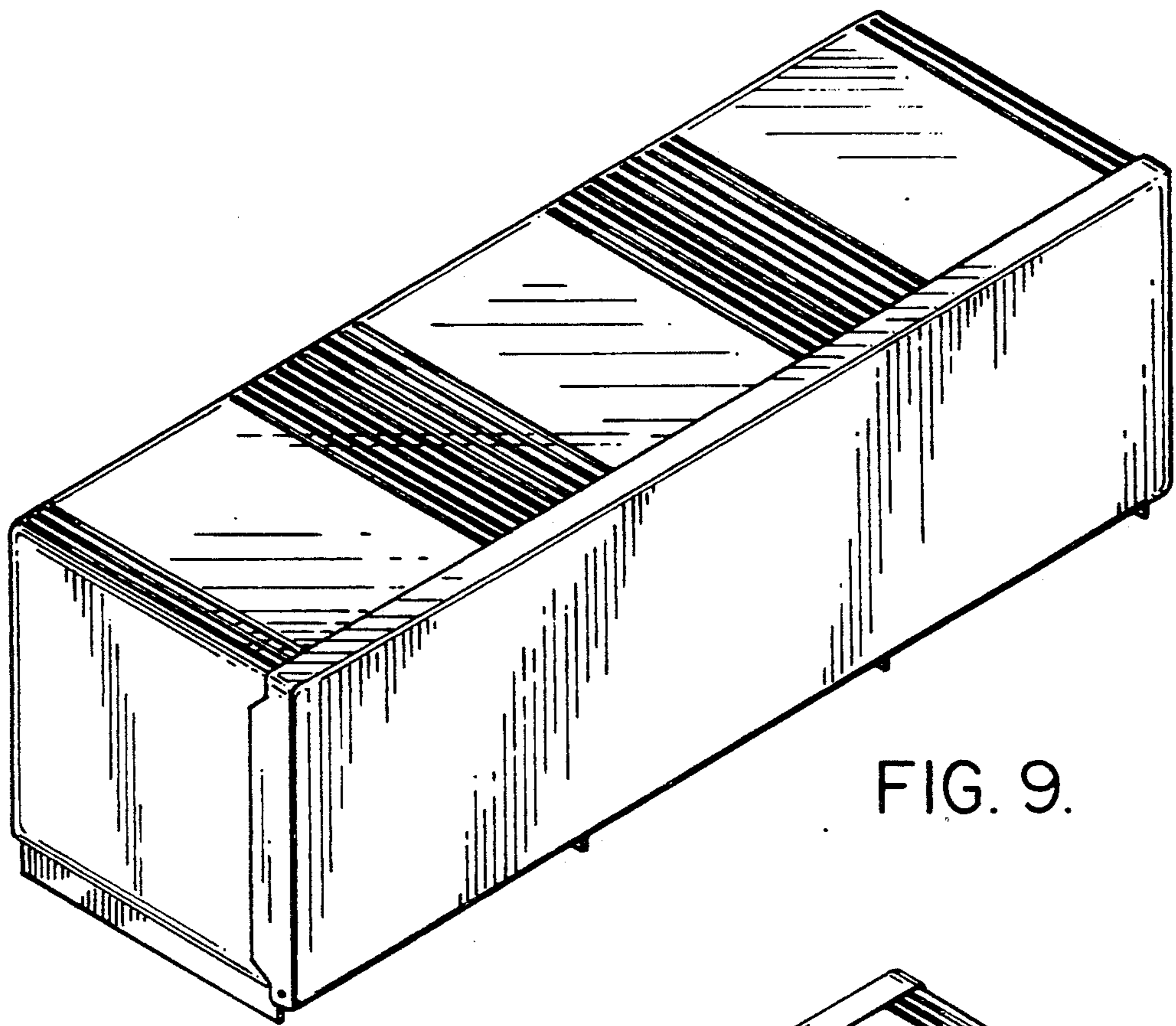


FIG. 9.

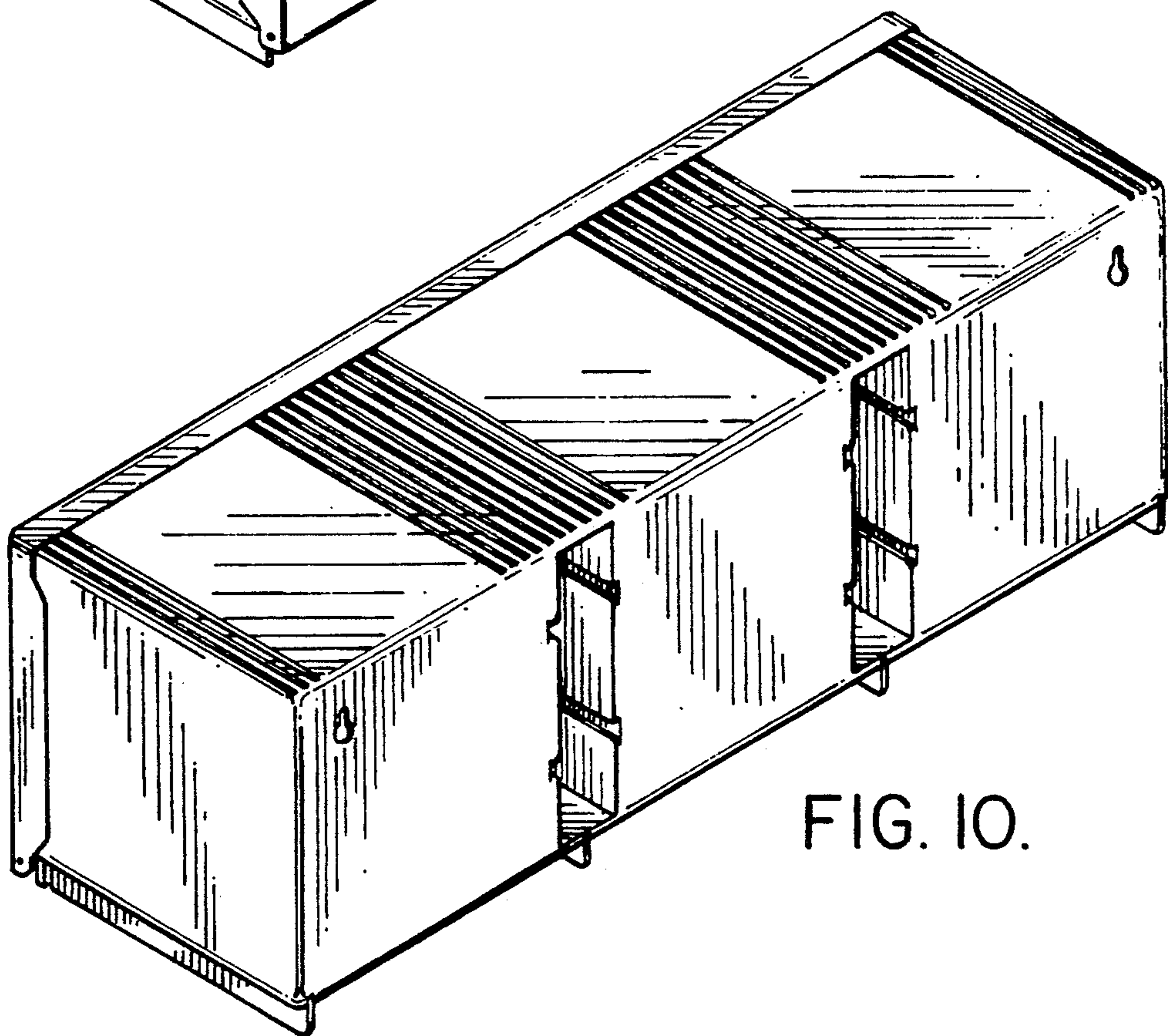


FIG. 10.