



US00D330113S

United States Patent [19]

[11] Patent Number: **Des. 330,113**

Faust

[45] Date of Patent: **** Oct. 13, 1992**

[54] **COMBINED HANGING HOLDER AND CARRIER FOR BATH AND TOILET ARTICLES**

2,937,680 5/1960 Dumas 150/35
3,876,271 4/1975 Skirlock 312/310

[76] Inventor: **Ann Faust**, 614 E. 33rd Pl., Chicago, Ill. 60616

Primary Examiner—Brian N. Vinson
Attorney, Agent, or Firm—Kimmel, Crowell & Weaver

[**] Term: **14 Years**

[57] CLAIM

[21] Appl. No.: **624,685**

The ornamental design for a combined hanging holder and carrier for bath and toilet articles, as shown and described.

[22] Filed: **Dec. 10, 1990**

DESCRIPTION

[52] U.S. Cl. **D3/39**

[58] Field of Search **D6/512-514, D6/524, 525; D3/30.1, 39; D28/73; 206/207-210, 223, 349, 823; 211/13; 220/500; 150/112, 106, 119**

FIG. 1 is a top, front, and left side perspective view of a combined hanging holder and carrier for bath and toilet articles showing my new design; FIG. 2 is a bottom plan view thereof; FIG. 3 is a top plan view thereof; FIG. 4 is a top, front, and left side perspective view thereof, with the door shown in an open position; FIG. 5 is a left side elevational view thereof; FIG. 6 is a right side elevational view thereof; FIG. 7 is a top, front, and left side perspective view of the inner rack portion thereof; and, FIG. 8 is a rear elevational view thereof shown in a hanging configuration, the broken-line disclosure of a hook being for illustrative purposes only and forming no part of the claimed design; The strap portion is shown broken-away in some views for clarity of illustration.

[56] References Cited

U.S. PATENT DOCUMENTS

D. 235,232	5/1975	Rickenbaker	D87/5 C
D. 252,960	9/1979	Faust	D3/39
D. 281,740	12/1985	Rodrigues	D3/39 X
D. 284,526	7/1986	Freeman	D3/39 X
D. 290,786	7/1987	Townley	D3/39
2,290,307	7/1942	Wicker	95/86
2,335,898	12/1943	Arnold	150/112
2,509,537	5/1950	Stier	D3/30.1 X
2,557,218	6/1951	Ewell	312/276

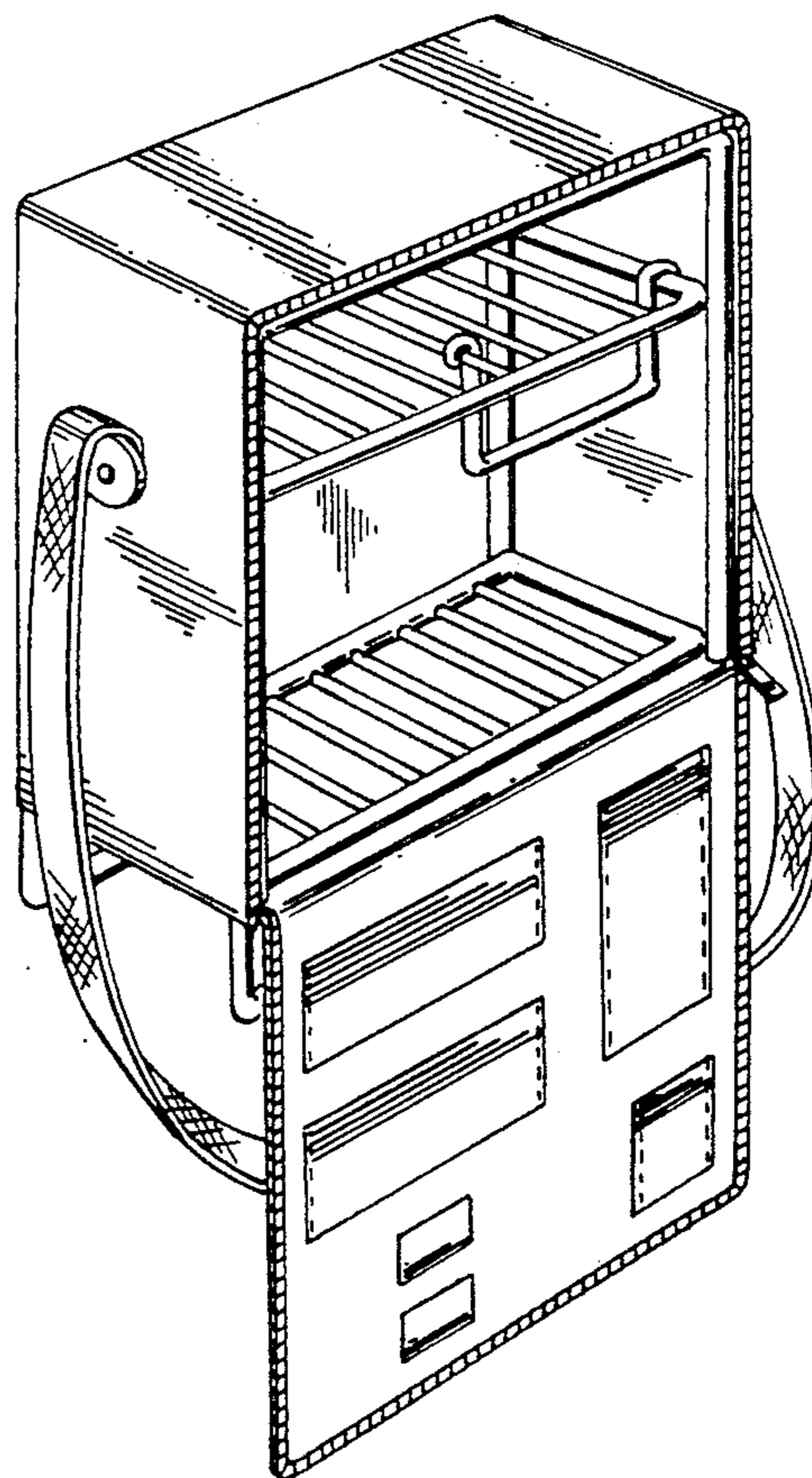
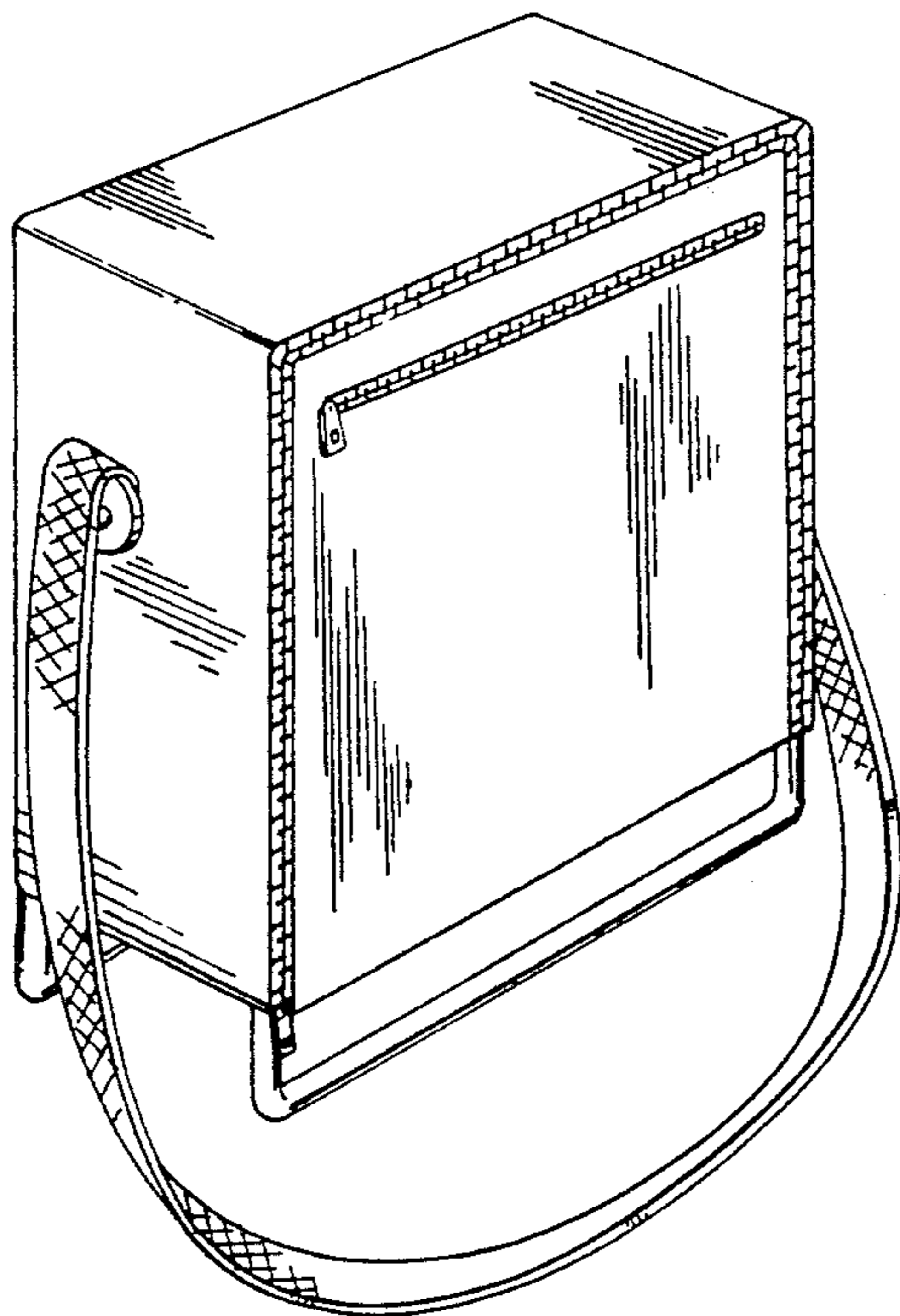


FIG. 2.

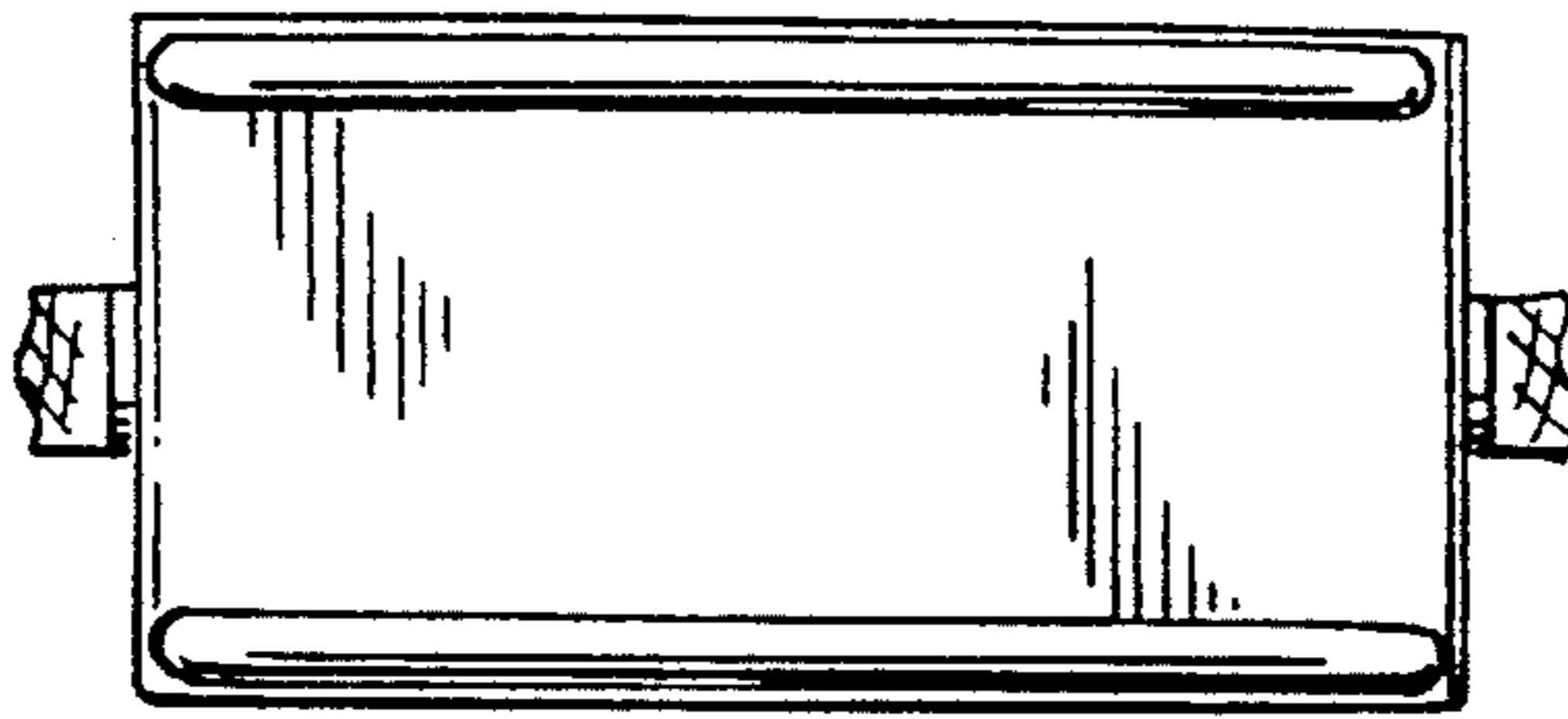


FIG. 1.

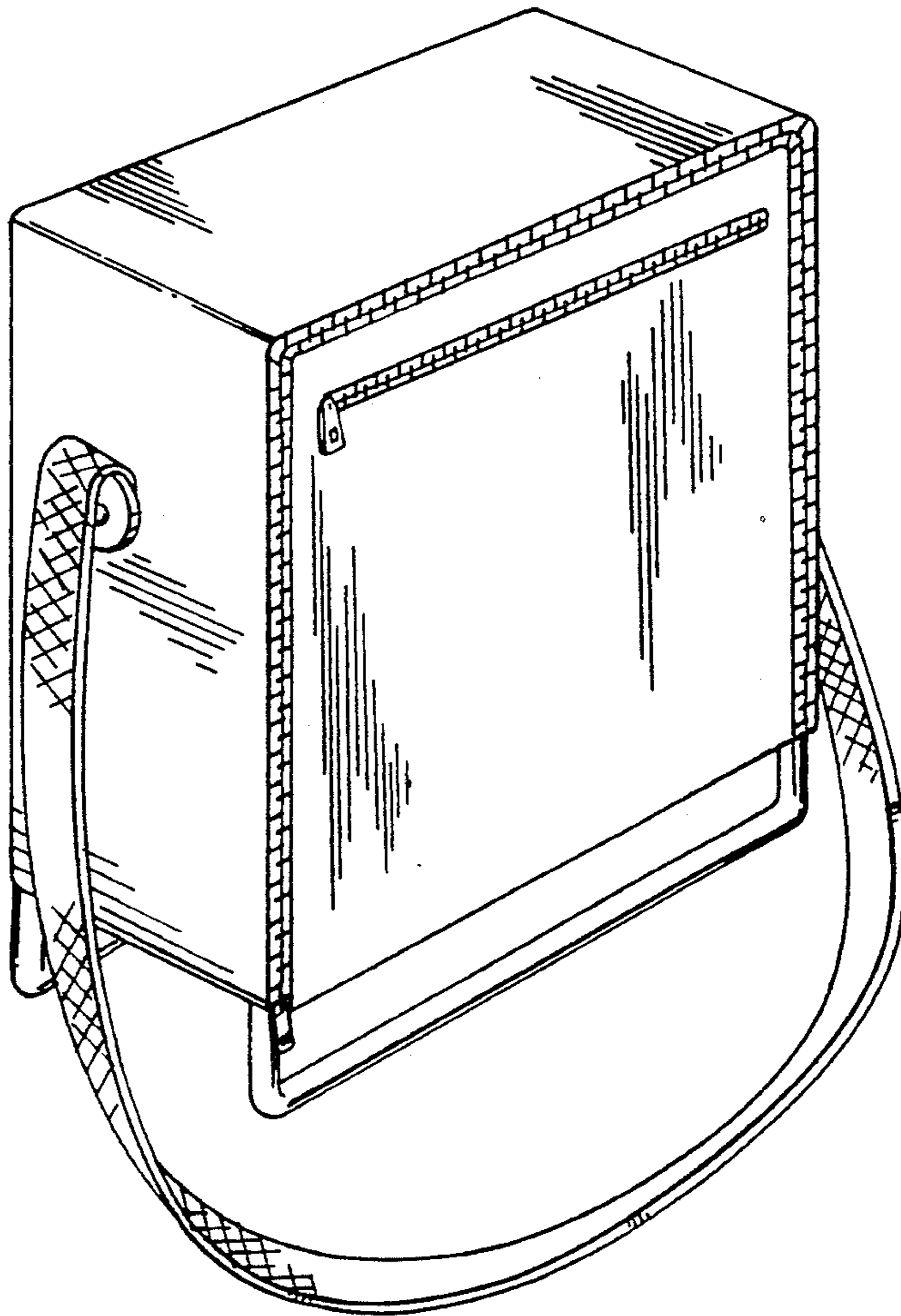


FIG. 3.

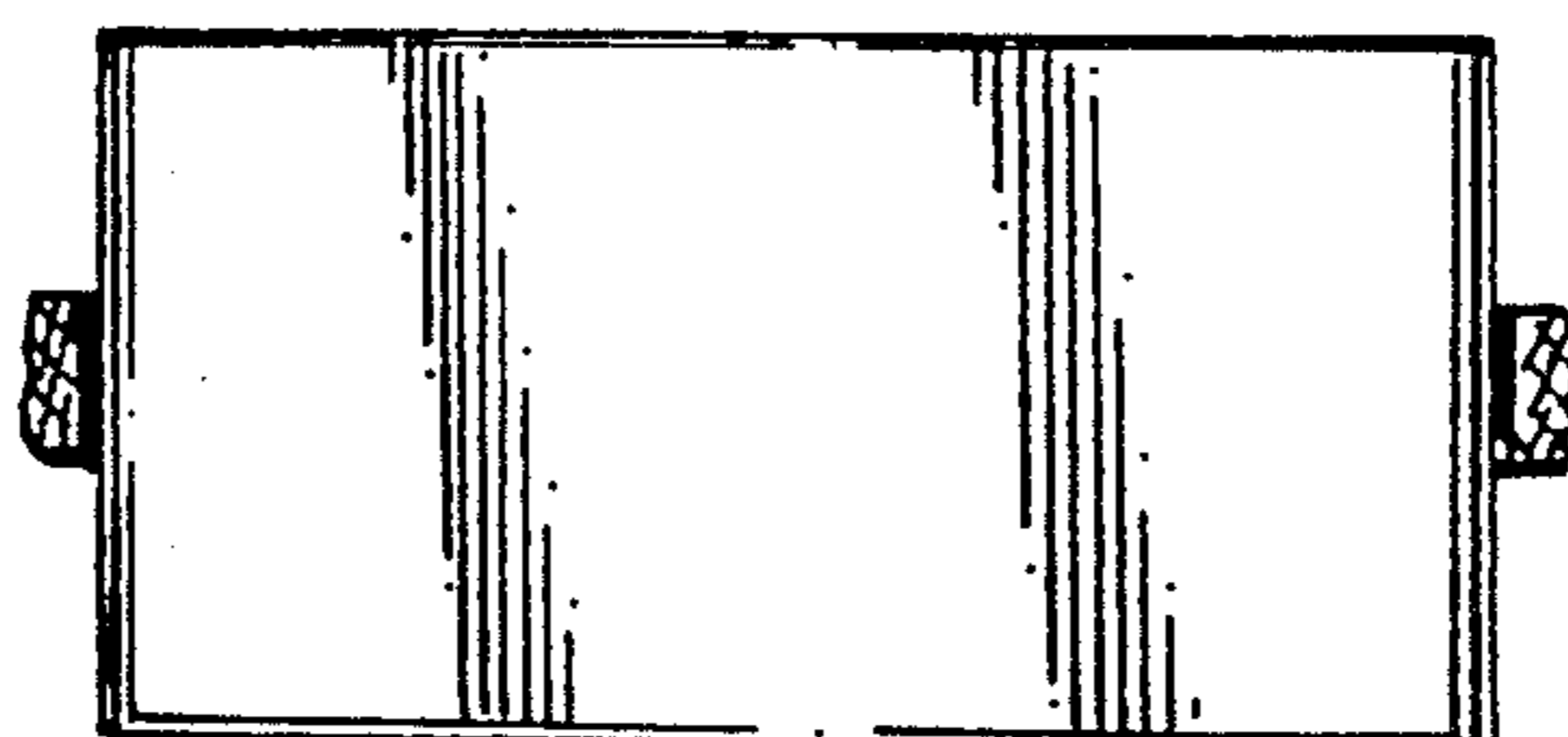


FIG. 4.

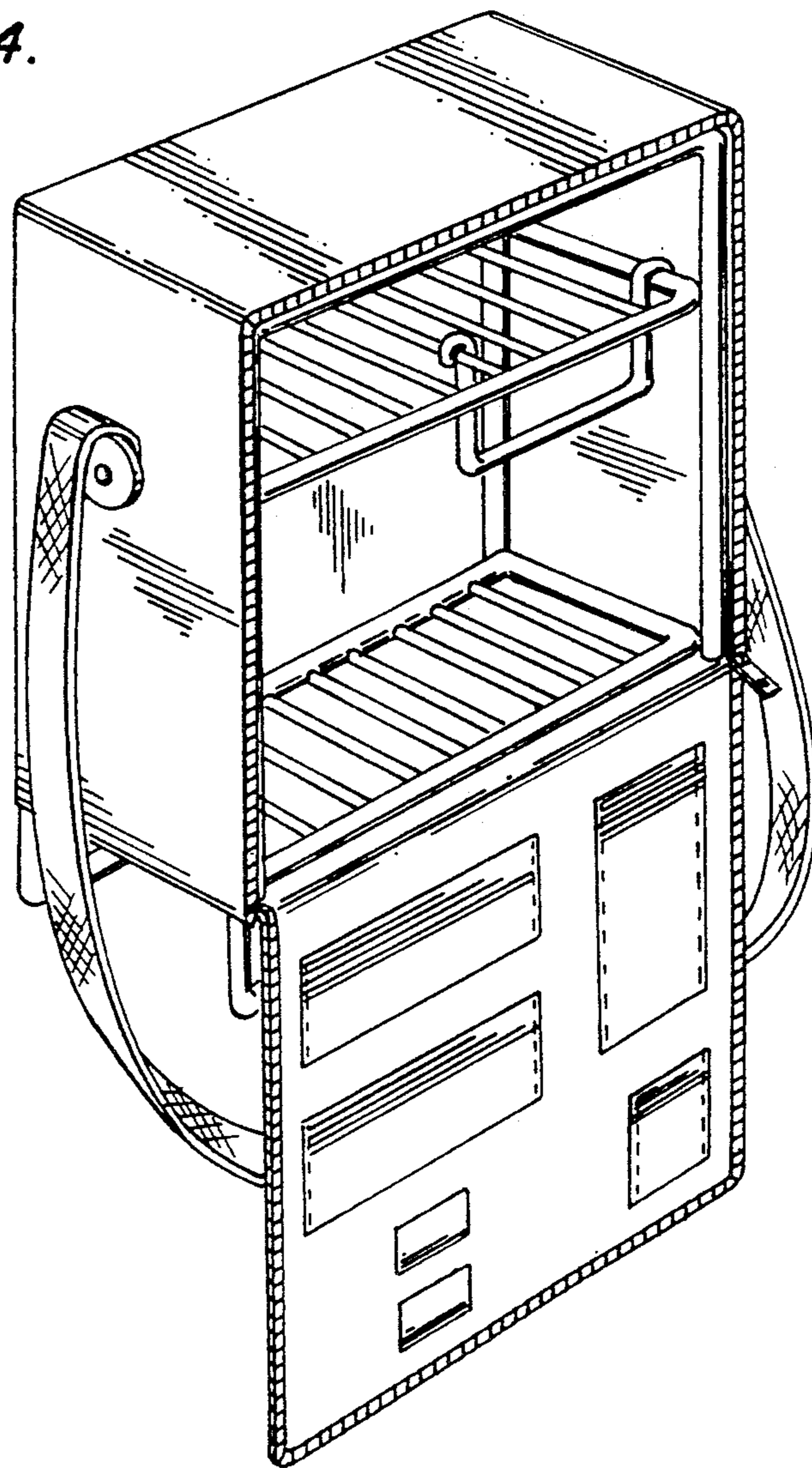


FIG. 5.

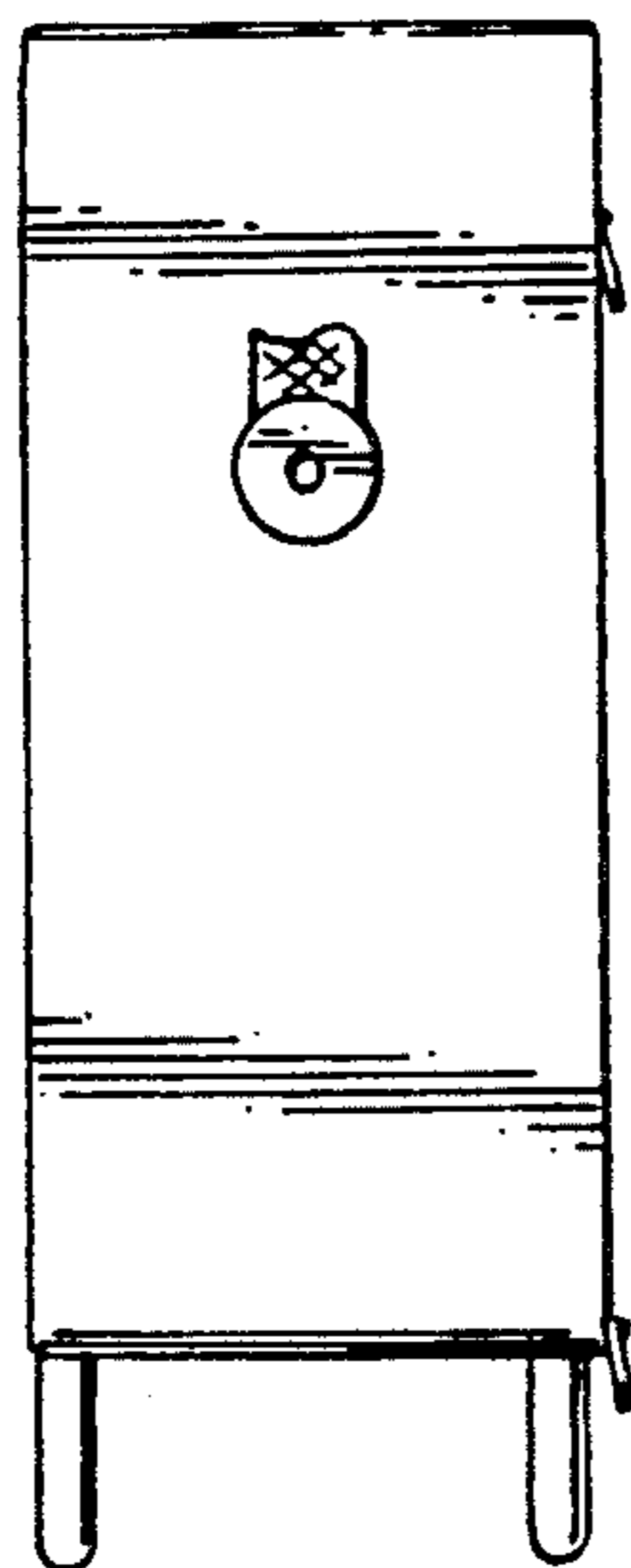


FIG. 6.

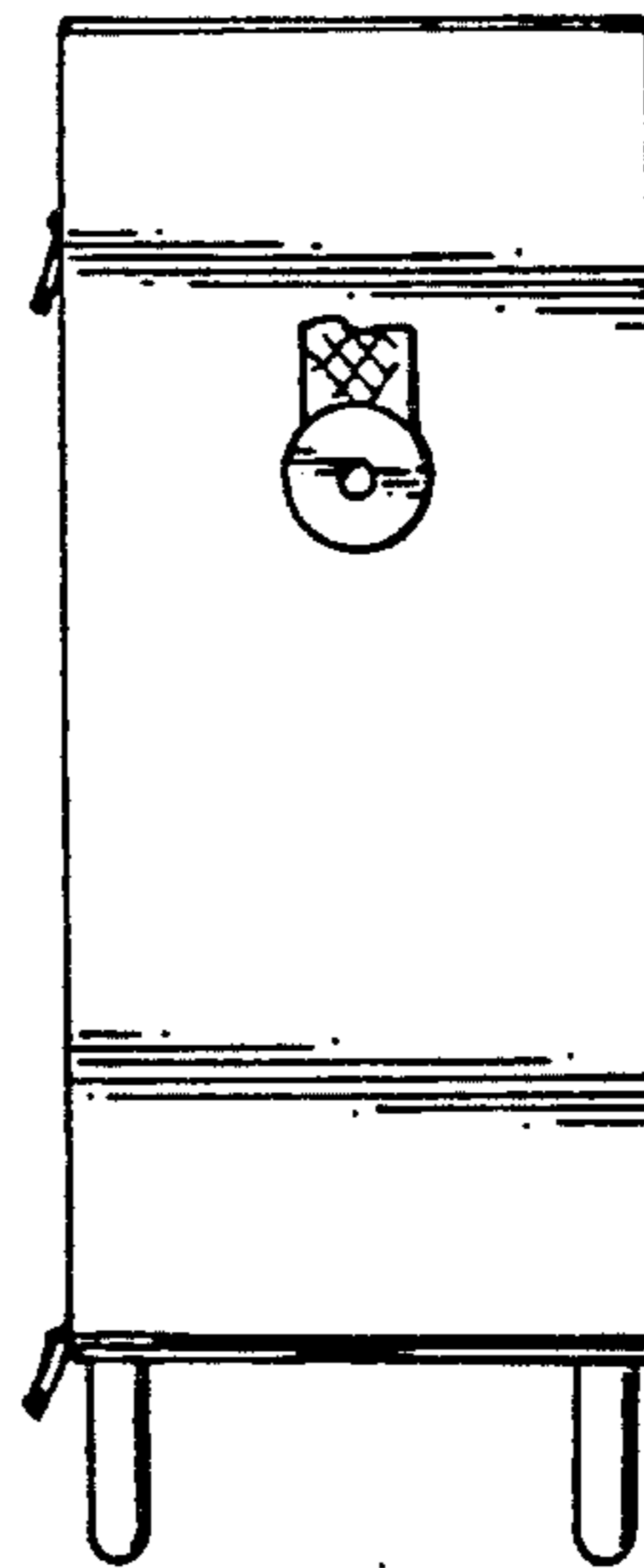


FIG. 7.

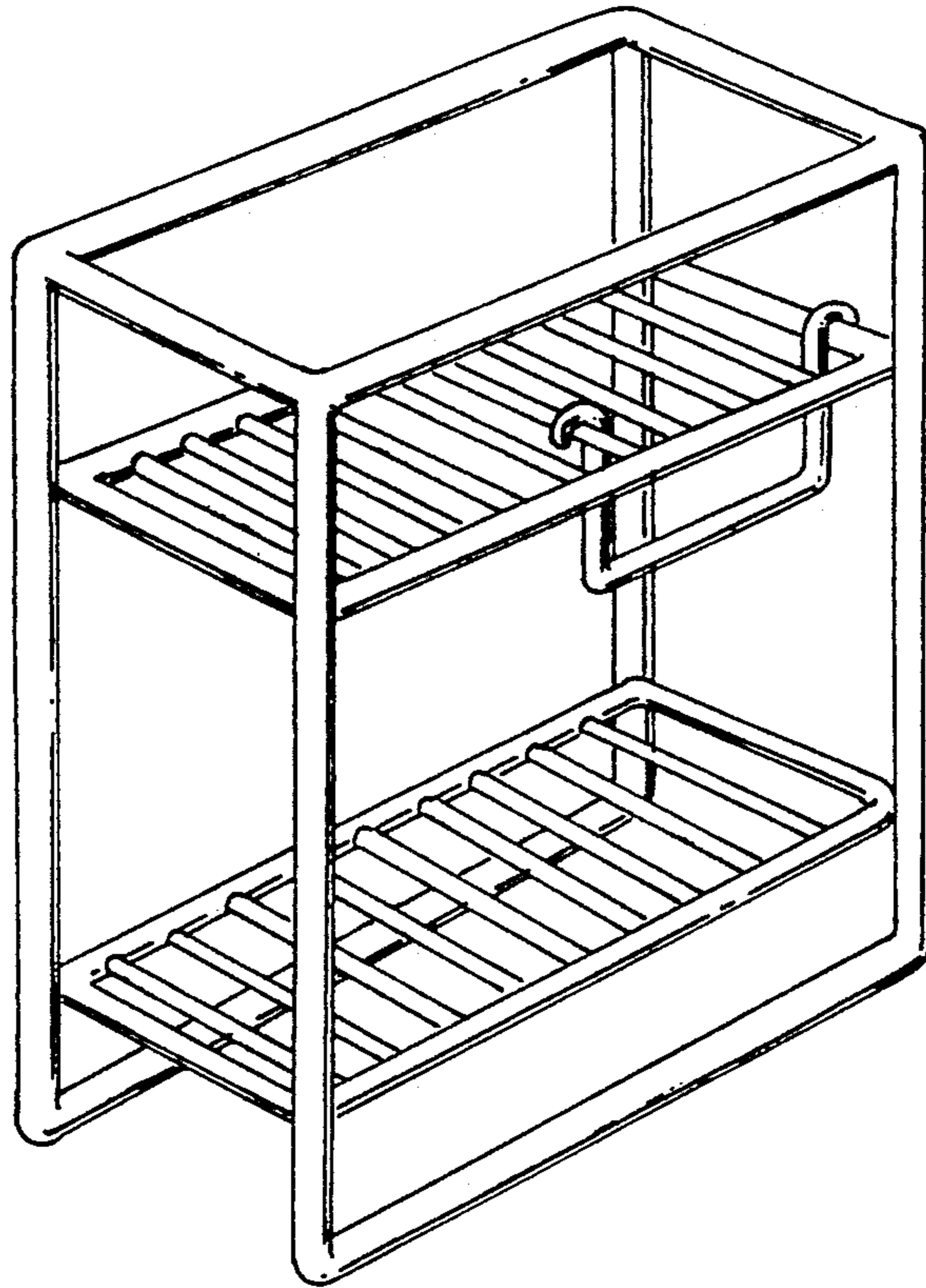


FIG. 8.

