



US00D330103S

United States Patent [19]

[11] Patent Number: **Des. 330,103**

Andrews, Jr. et al.

[45] Date of Patent: **** Oct. 6, 1992**

[54] REFUSE CONTAINER CART

[75] Inventors: **Howard W. Andrews, Jr.; Jonathan N. Mandell**, both of Winchester, Va.

[73] Assignee: **Rubbermaid Commercial Products Inc.**, Winchester, Va.

[**] Term: **14 Years**

[21] Appl. No.: **658,574**

[22] Filed: **Feb. 21, 1991**

[52] U.S. Cl. **D34/20; D34/5; D34/26**

[58] Field of Search **D34/26, 1, 5, 12, 17, D34/20, 21; 248/907, 95, 98; 220/908; 280/655, 47.29, 654, 79.3**

[56] References Cited

U.S. PATENT DOCUMENTS

| | | | |
|------------|---------|---------------------------|---------|
| D. 295,098 | 4/1988 | Delmerico . | |
| D. 307,208 | 4/1990 | Hemphill . | |
| 1,168,008 | 1/1916 | Kleine . | |
| 2,424,644 | 7/1947 | Barrett . | |
| 2,572,780 | 10/1951 | Tackenberg . | |
| 2,855,210 | 10/1958 | Joyce . | |
| 3,376,986 | 4/1968 | Farber . | |
| 3,399,903 | 9/1968 | Bailey . | |
| 3,845,968 | 11/1974 | Larson . | |
| 4,077,644 | 3/1978 | Roby et al. . | |
| 4,313,612 | 2/1982 | Rubens . | |
| 4,705,247 | 11/1987 | Delmerico . | |
| 4,887,837 | 12/1989 | Bonewicz, Jr. et al. | 280/654 |
| 4,917,401 | 4/1990 | Iwaki . | |
| 5,106,112 | 4/1992 | Sargent | 280/655 |

OTHER PUBLICATIONS

Catalog Page, Gott Corporation, P.O. Box 652, Winfield, Kan. 67156, Publication date 1986.

Pages 21 and 29, Rubermaid Commercial Products Inc., 3124 Valley Avenue, Winchester, Va. 22601, Publication date 1988.

Primary Examiner—Kay H. Chin

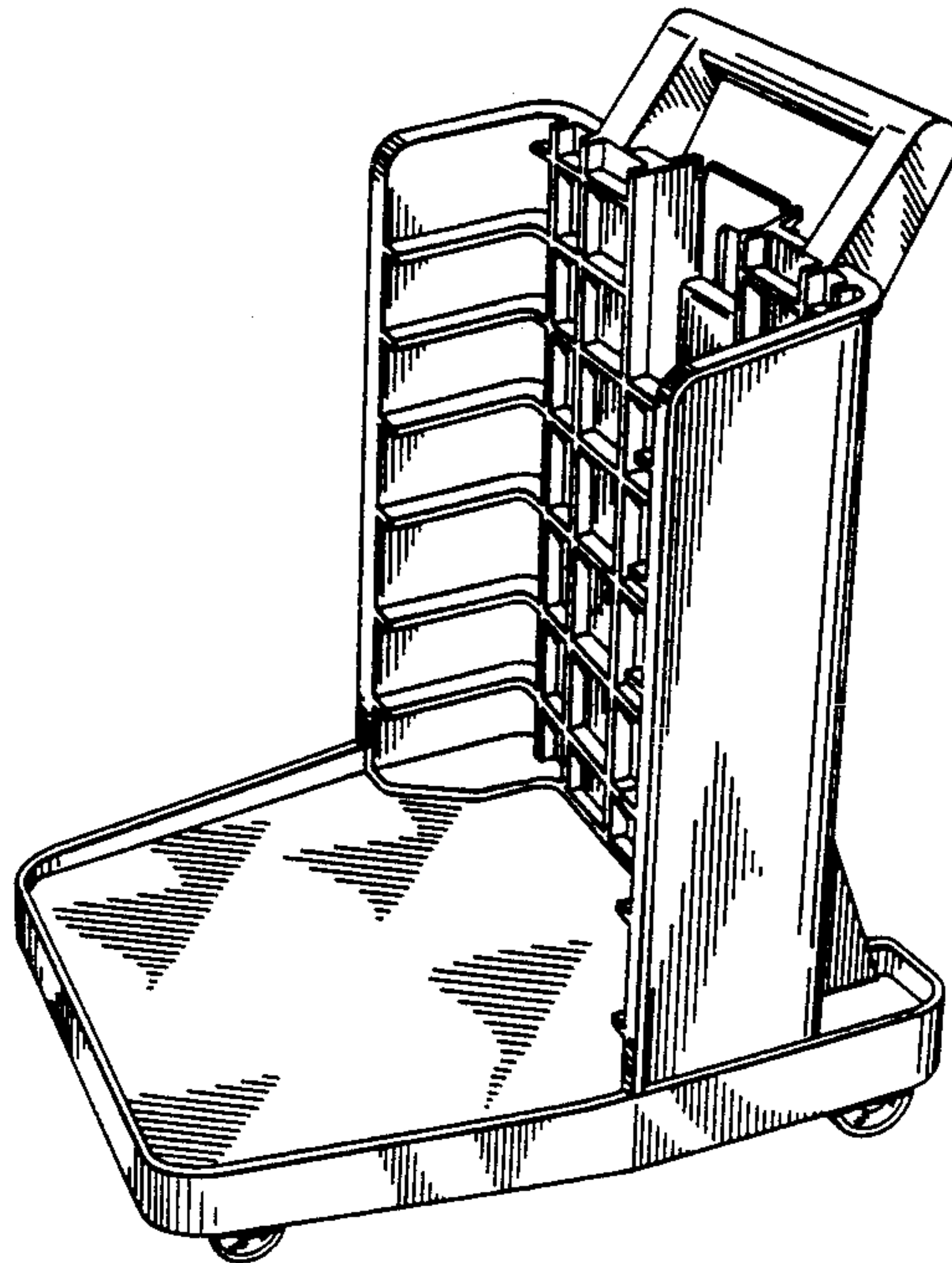
Attorney, Agent, or Firm—Richard B. O'Planick

[57] CLAIM

The ornamental design for a refuse container cart, as shown and described.

DESCRIPTION

FIG. 1 is a top, front and right side perspective view of a refuse container cart showing our new design; FIG. 2 is a front elevational view thereof; FIG. 3 is a rear elevational view thereof; FIG. 4 is a top plan view thereof; FIG. 5 is a bottom plan view thereof; FIG. 6 is a left side elevational view thereof; the right side elevational view being a mirror image; FIG. 7 is a top, front and right side perspective view of a second embodiment of the refuse container cart, the top, front and left side perspective view being a mirror image of that shown; FIG. 8 is a rear elevational view of FIG. 7; FIG. 9 is a top, front and right side perspective view of a third embodiment of the refuse container cart, the top, front and left side perspective view being a mirror image of that shown; and, FIG. 10 is a front elevational view of FIG. 9. The undisclosed rear elevational view of FIG. 9 being the same as the first embodiment shown in FIG. 3, and the bottom view of FIGS. 7 and 9 being the same as the FIG. 5.



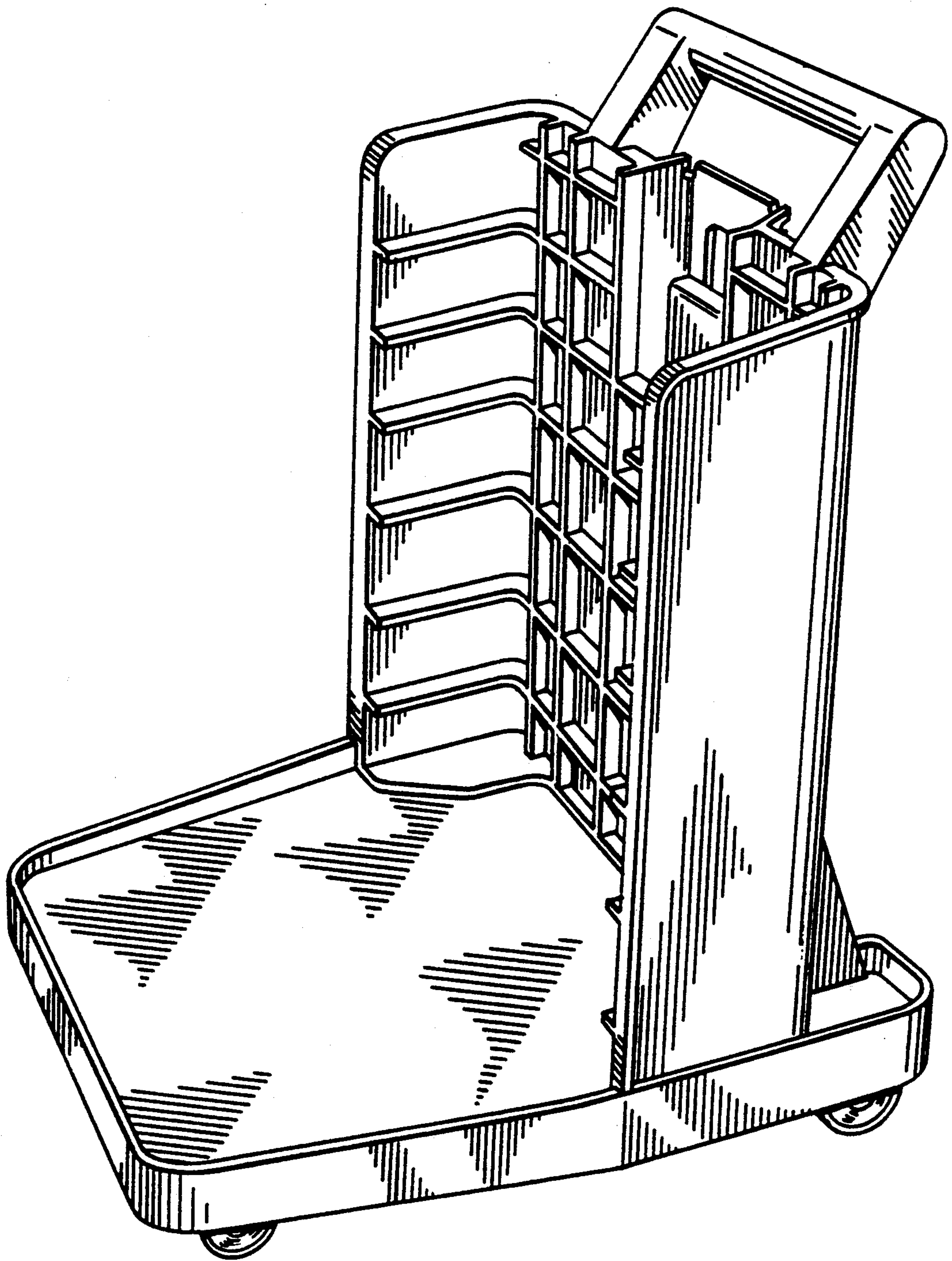


FIG. 1

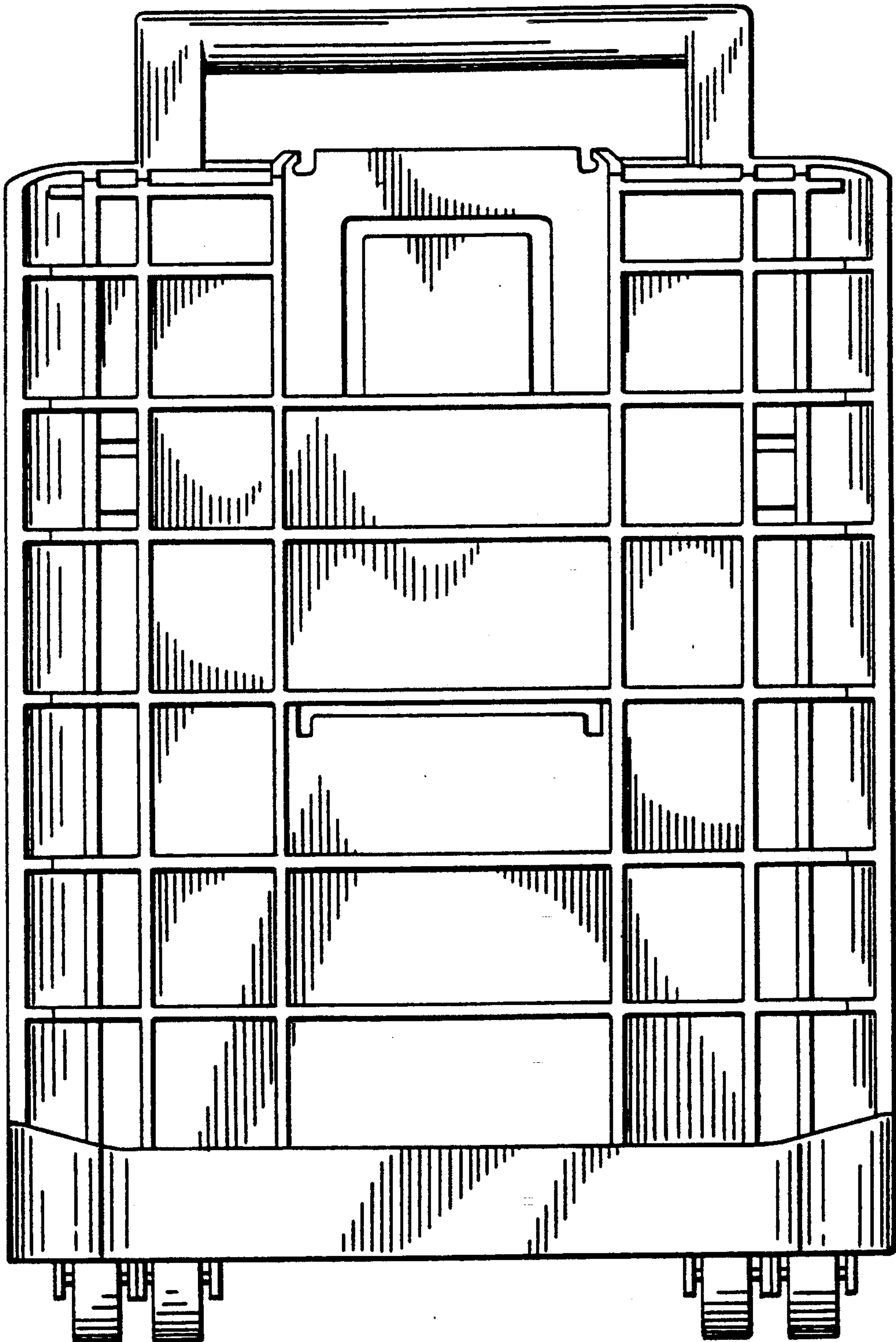


FIG. 2

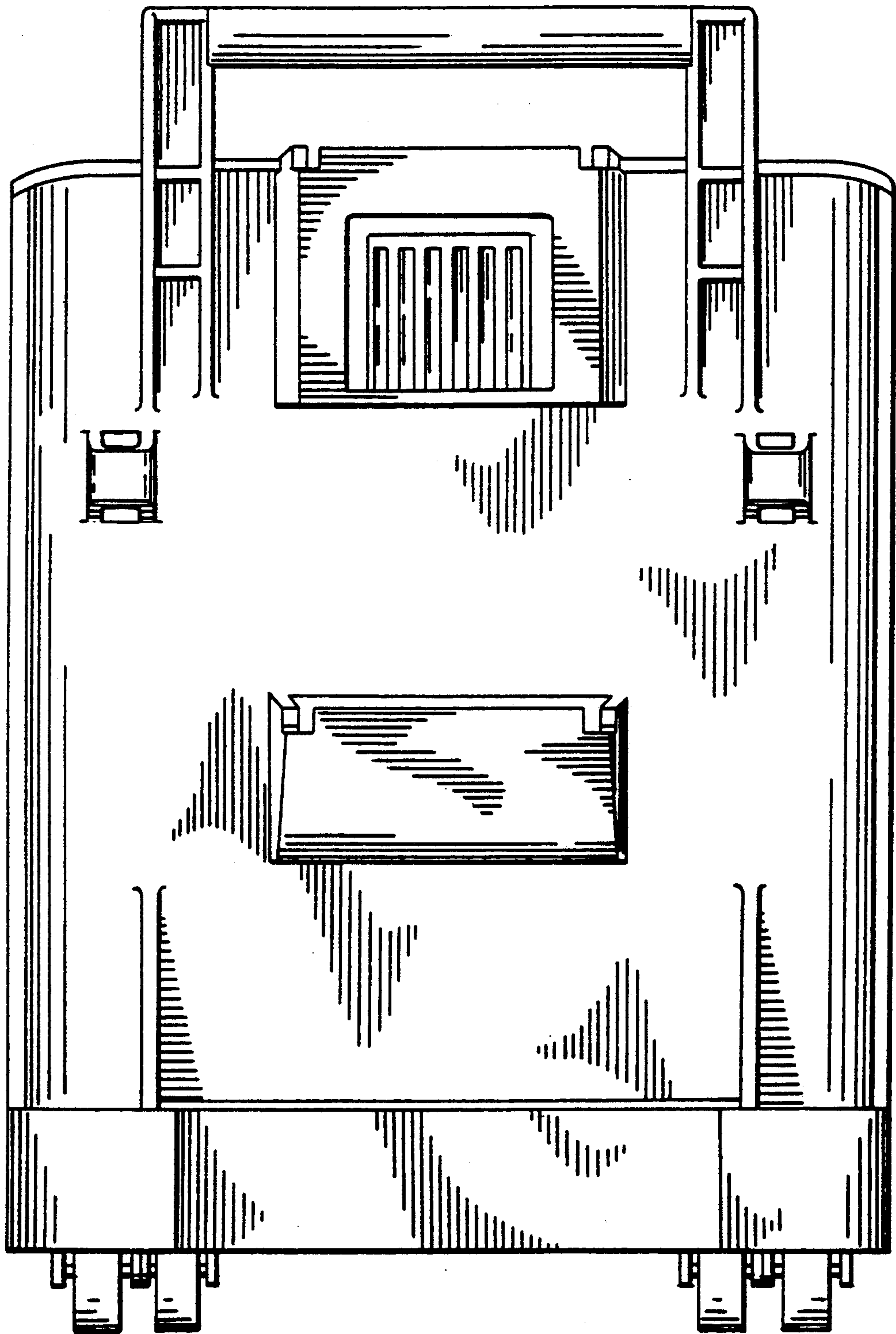


FIG. 3

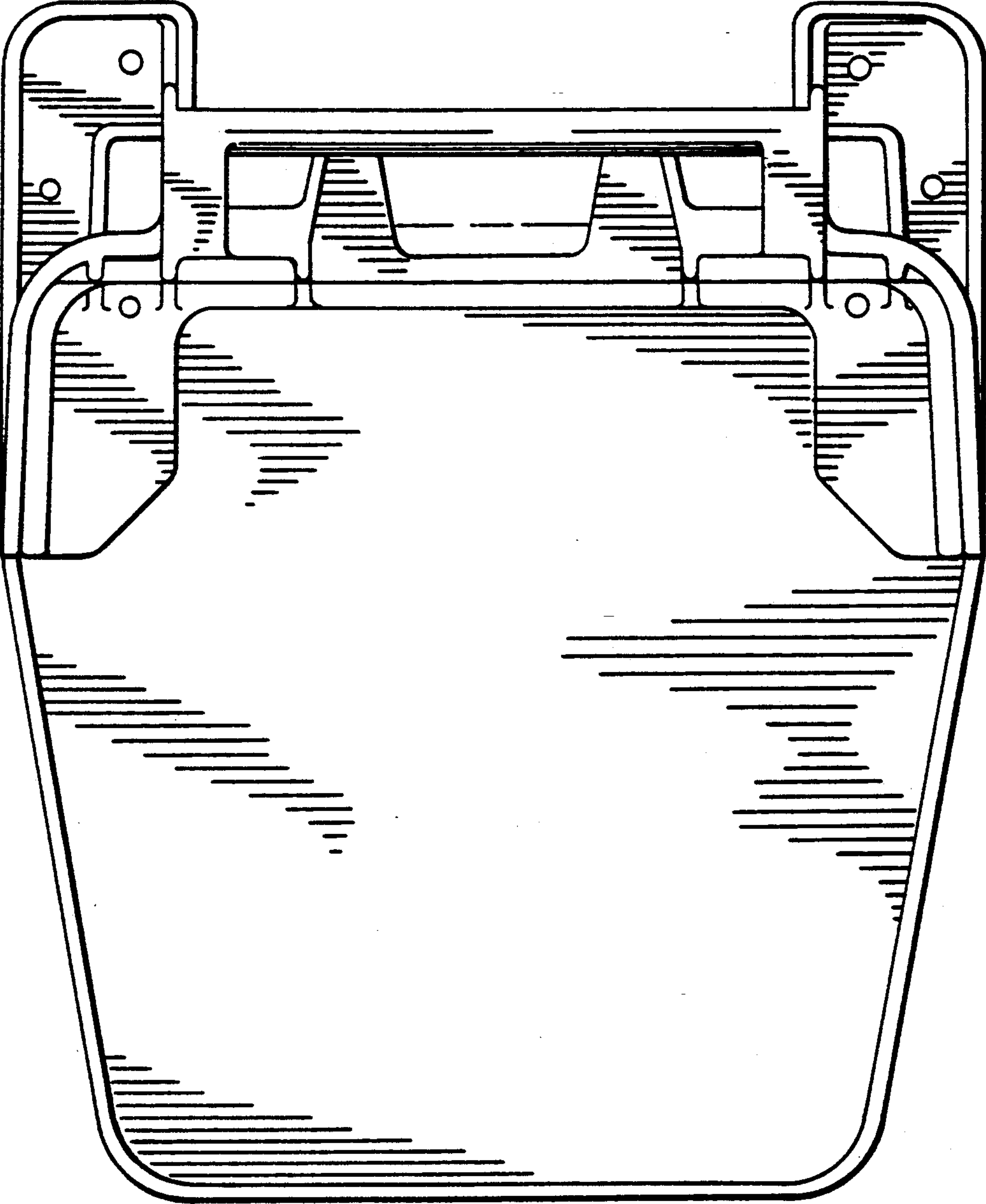


FIG. 4

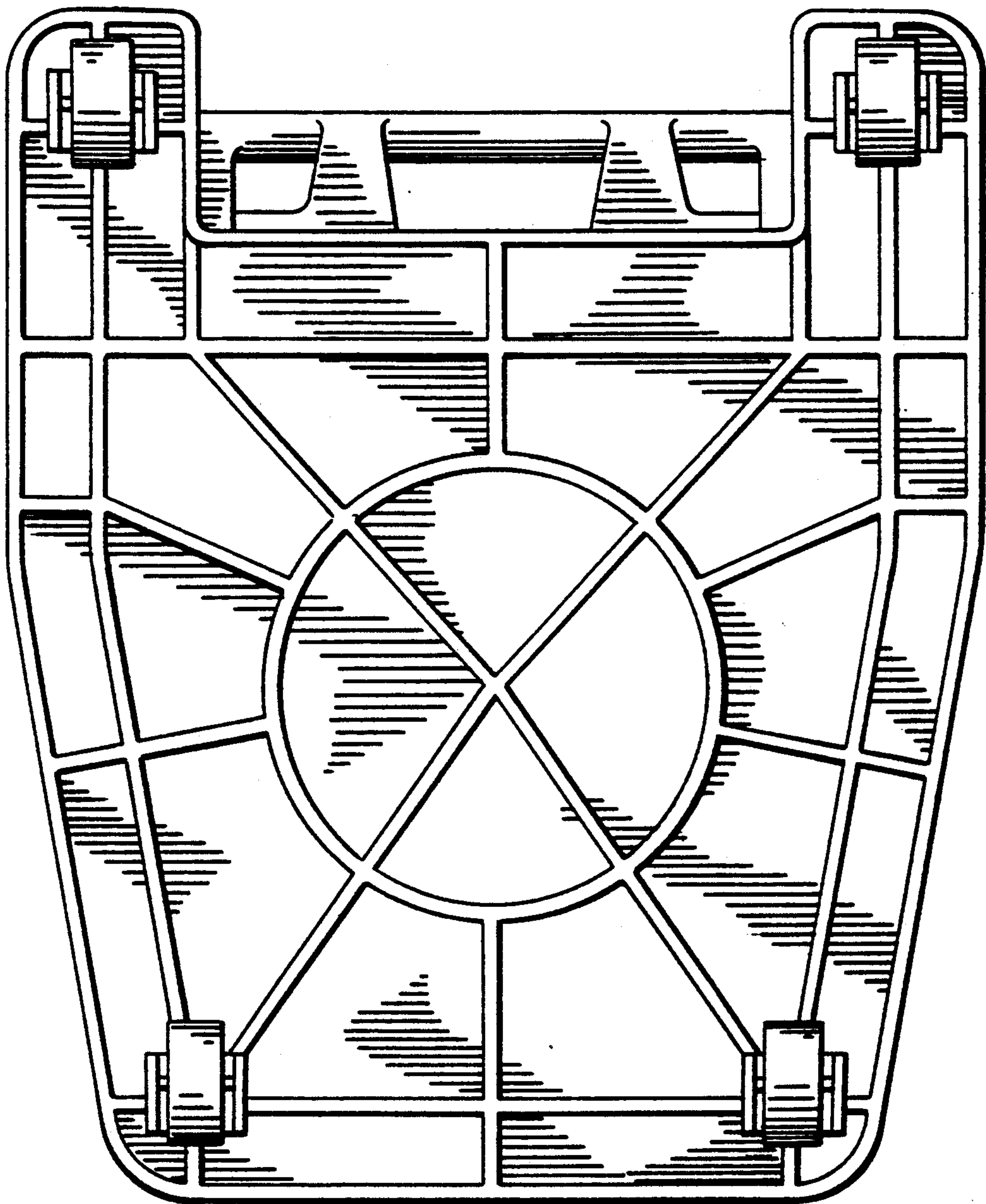


FIG. 5

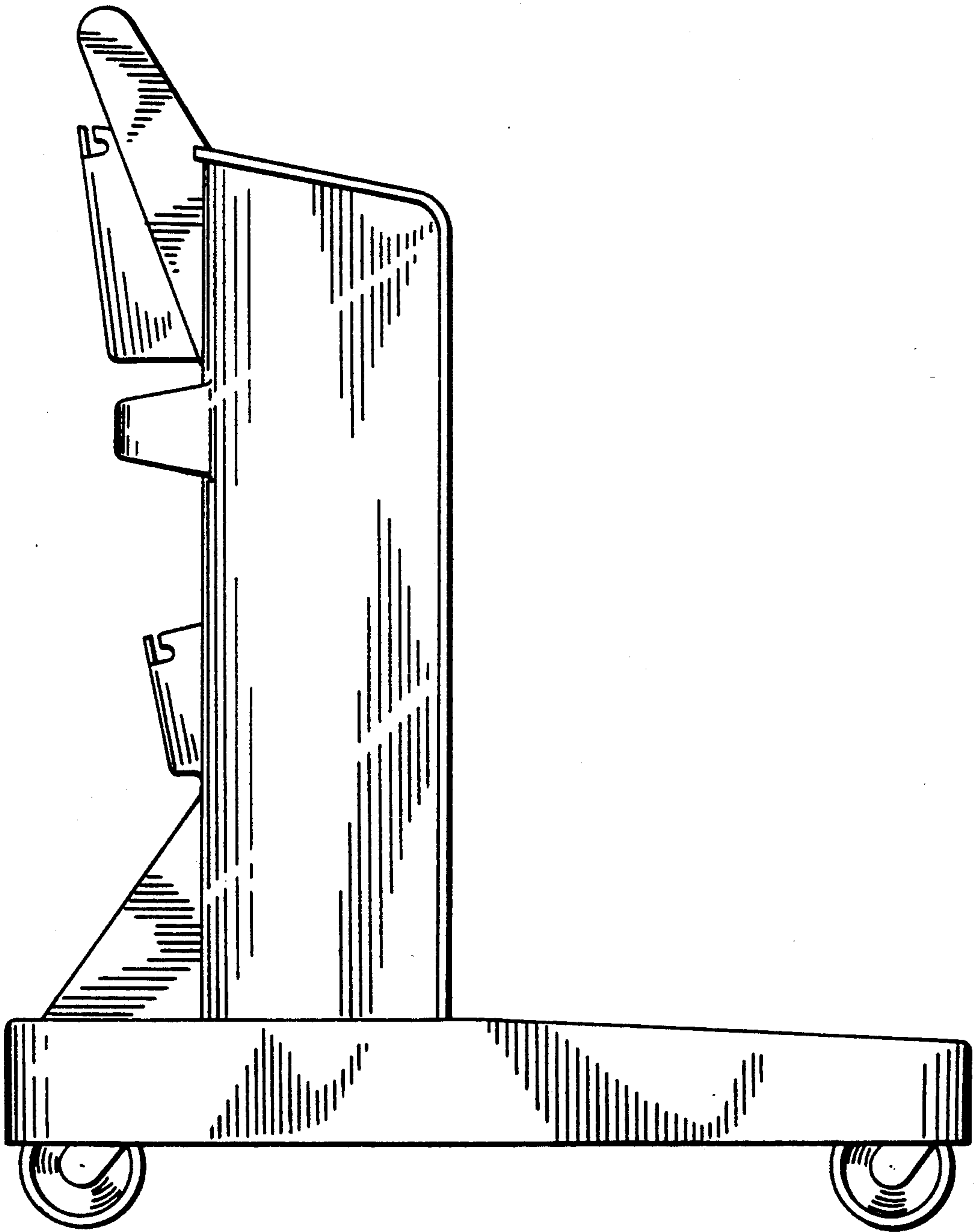


FIG. 6

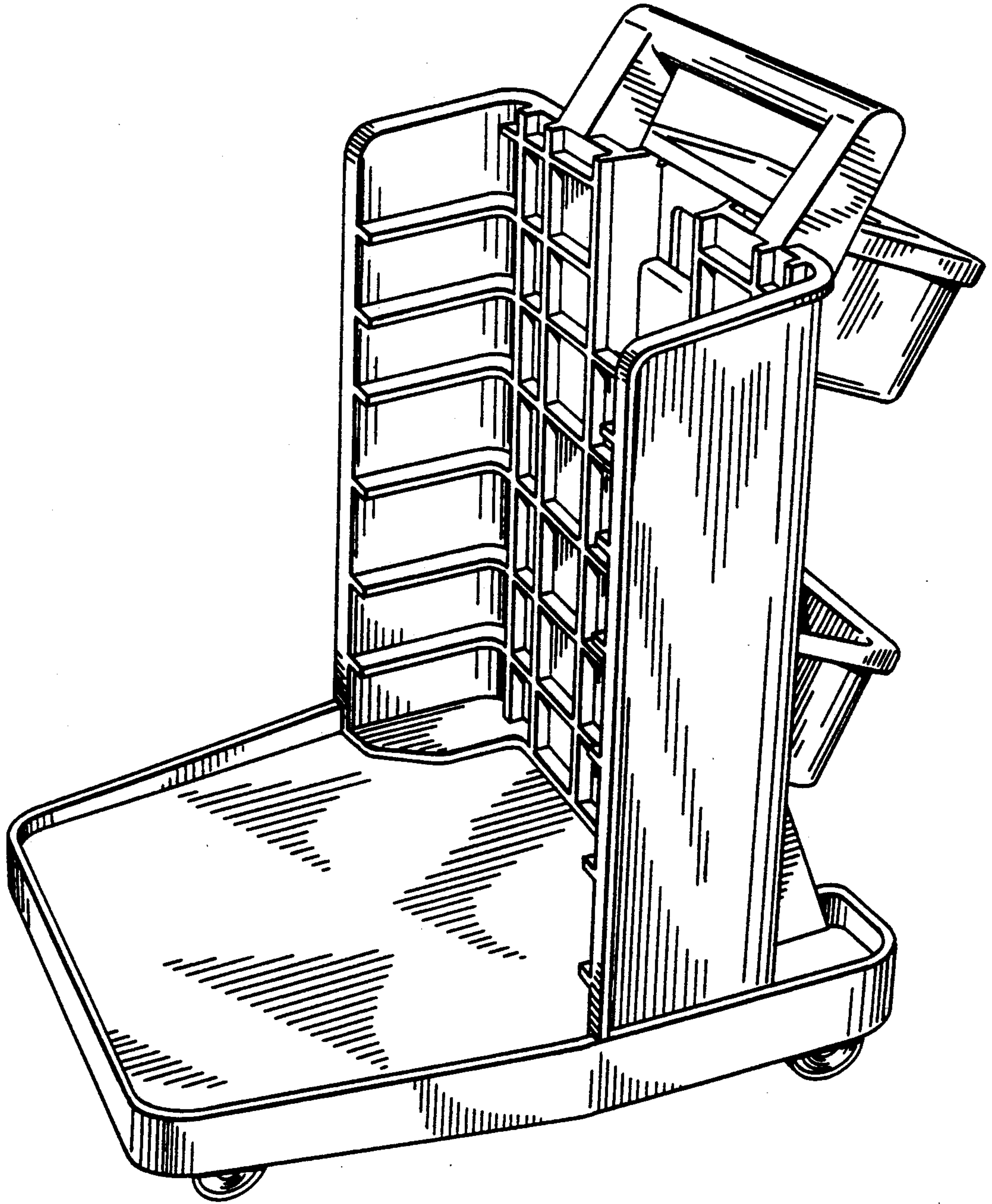


FIG. 7

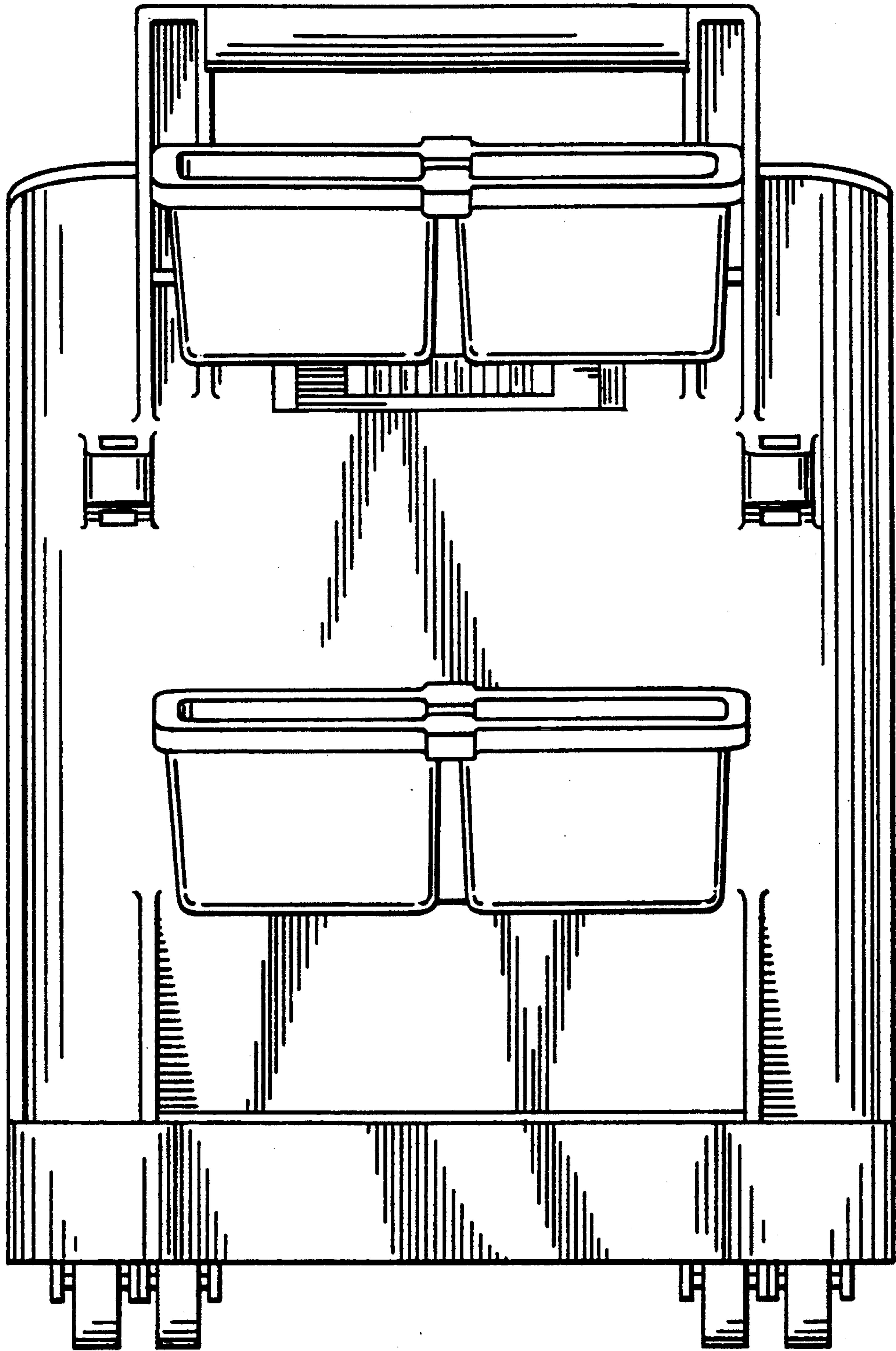


FIG. 8

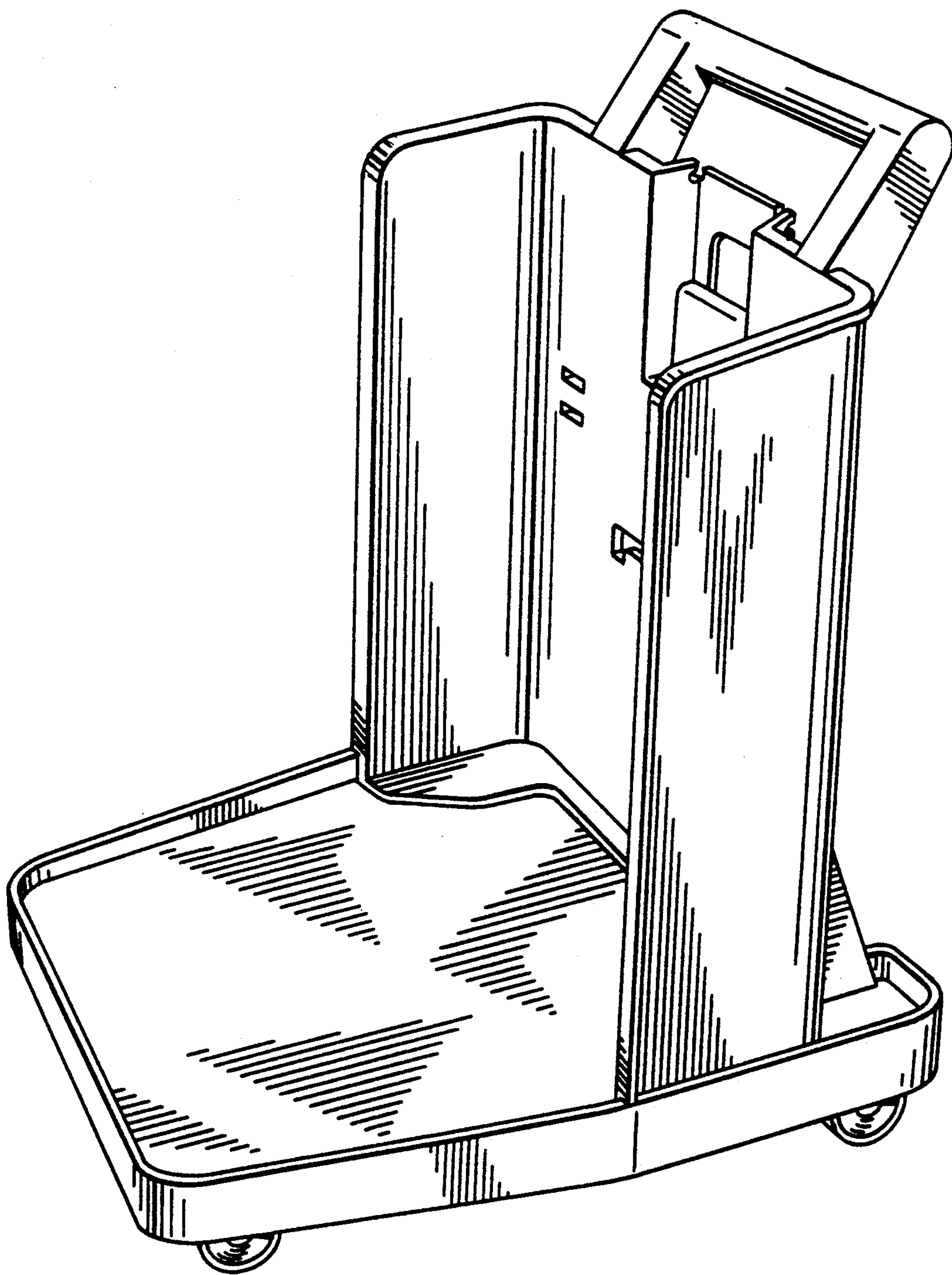


FIG. 9

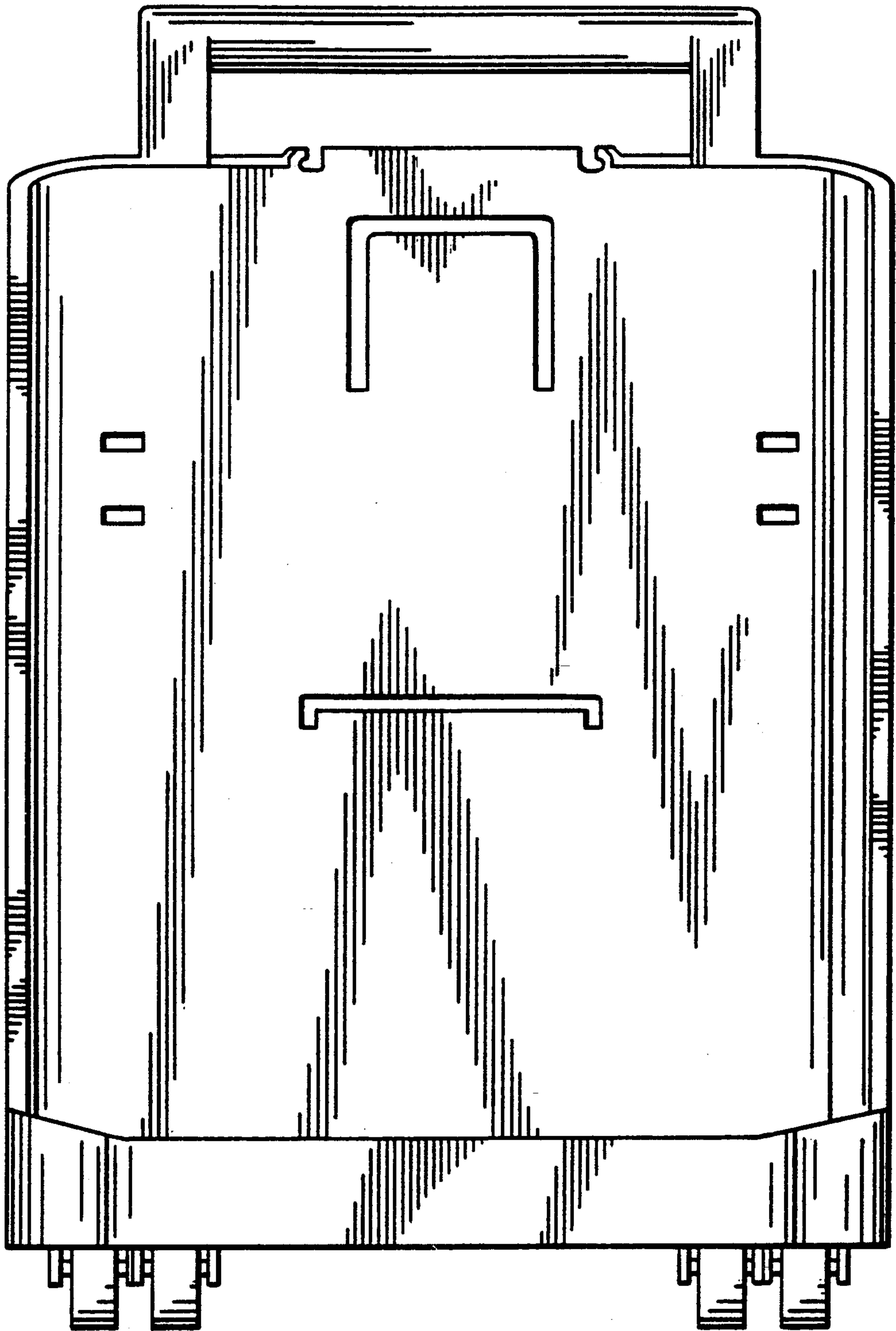


FIG. 10