



US00D330098S

United States Patent [19]

[11] Patent Number: **Des. 330,098**

VanSkiver

[45] Date of Patent: **** Oct. 6, 1992**

[54] **PET FEEDER**

4,355,598	10/1982	Saylor	119/52.1
4,735,171	4/1988	Essex	119/51.12
4,840,143	6/1989	Simon	D30/121

[75] Inventor: **Ralph VanSkiver**, Arlington, Tex.

[73] Assignee: **Doskocil Manufacturing Company, Inc.**, Arlington, Tex.

[**] Term: **14 Years**

[21] Appl. No.: **530,978**

[22] Filed: **May 31, 1990**

[52] U.S. Cl. **D30/121; D30/132**

[58] Field of Search 119/18, 24-26, 119/51.1, 51.03, 51.5, 51.11-51.12, 51.14-51.15, 52.1, 52.3-52.4, 53, 56.1-56.2, 57.1, 57.6-57.7, 61, 63, 72, 72.5; D30/119, 121-122, 124-133; 222/650; 220/525, 502, 254; D7/589, 616, 300, 312

OTHER PUBLICATIONS

Animail catalog; p. 3 Automatic Pet Food Dispenser (F.).

Primary Examiner—A. Hugo Word
Assistant Examiner—Cathy Anne MacCormac
Attorney, Agent, or Firm—Andrew J. Dillon

[57] CLAIM

The ornamental design for a pet feeder, as shown and described.

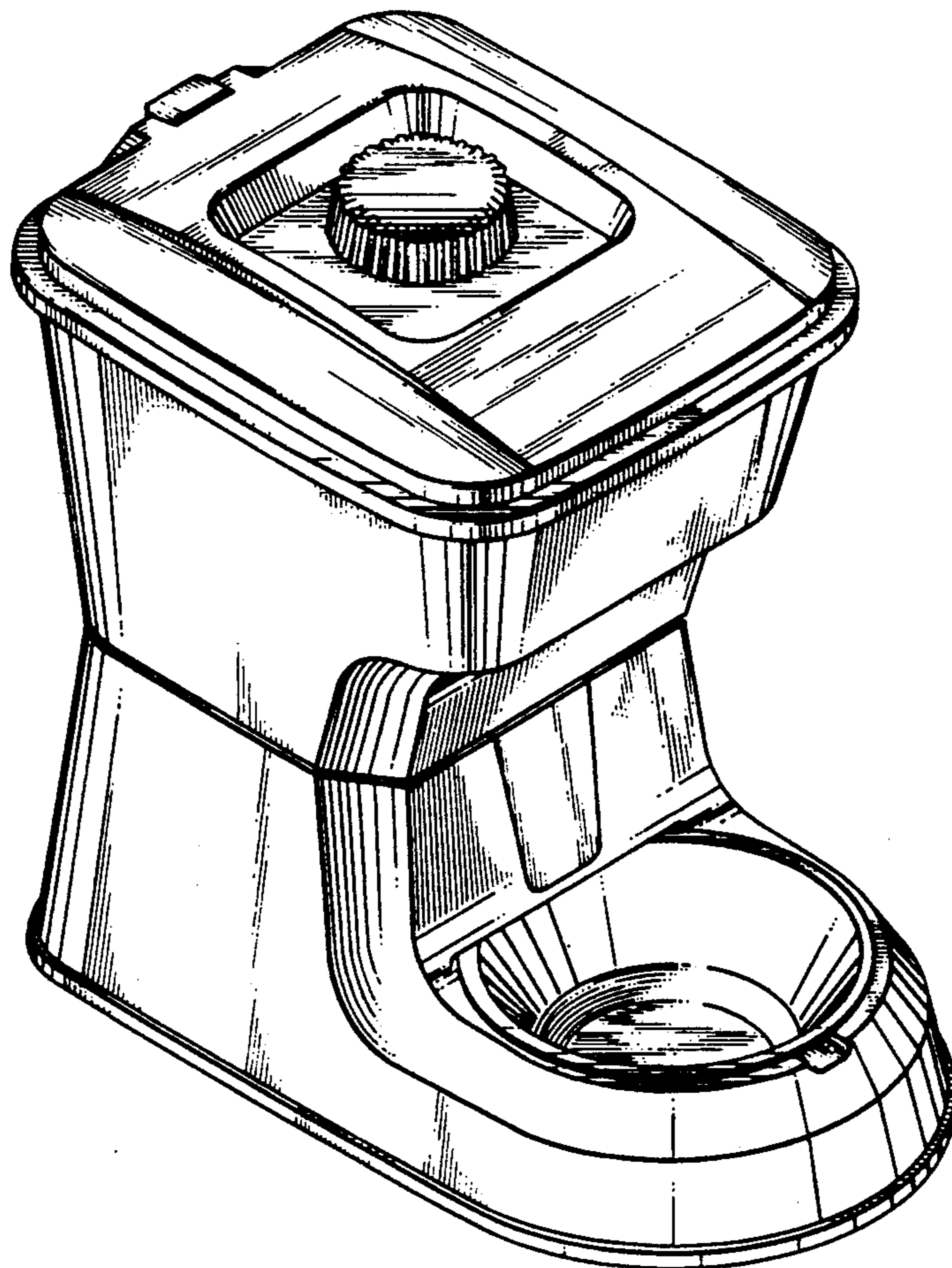
DESCRIPTION

FIG. 1 is a perspective view of a pet feeder showing my new design;
FIG. 2 is a top plan view thereof;
FIG. 3 is a right side elevational view thereof;
FIG. 4 is a front elevational view thereof;
FIG. 5 is a left side elevational view thereof;
FIG. 6 is a rear elevational view thereof; and,
FIG. 7 is a bottom plan view thereof.

[56] References Cited

U.S. PATENT DOCUMENTS

2,207,417	7/1940	Smith	119/52.1
3,800,745	4/1974	Fassaver	119/52.1
4,034,715	7/1977	Arner	119/51.5
4,303,039	12/1981	Thibault	119/52.1



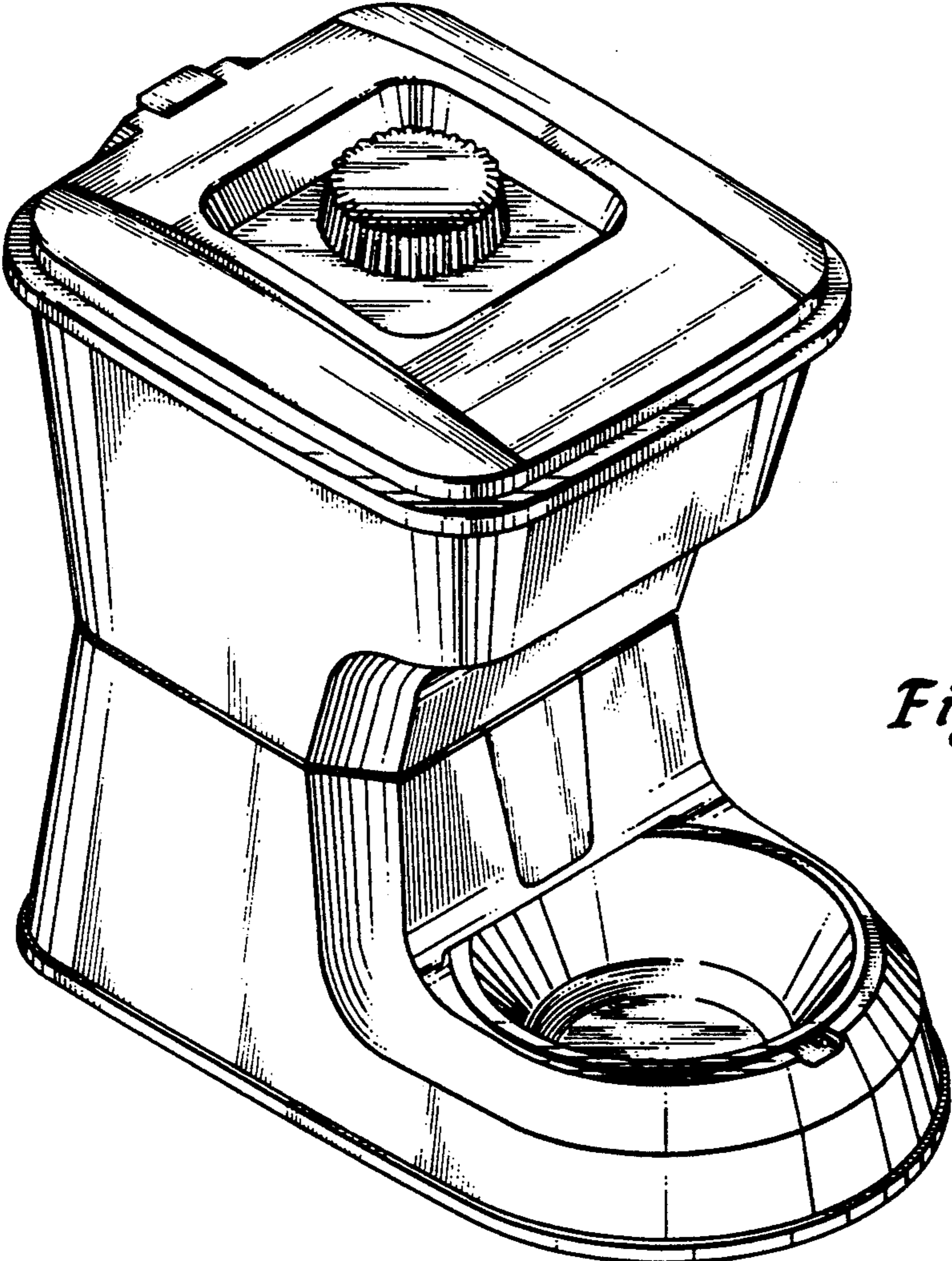


Fig. 1

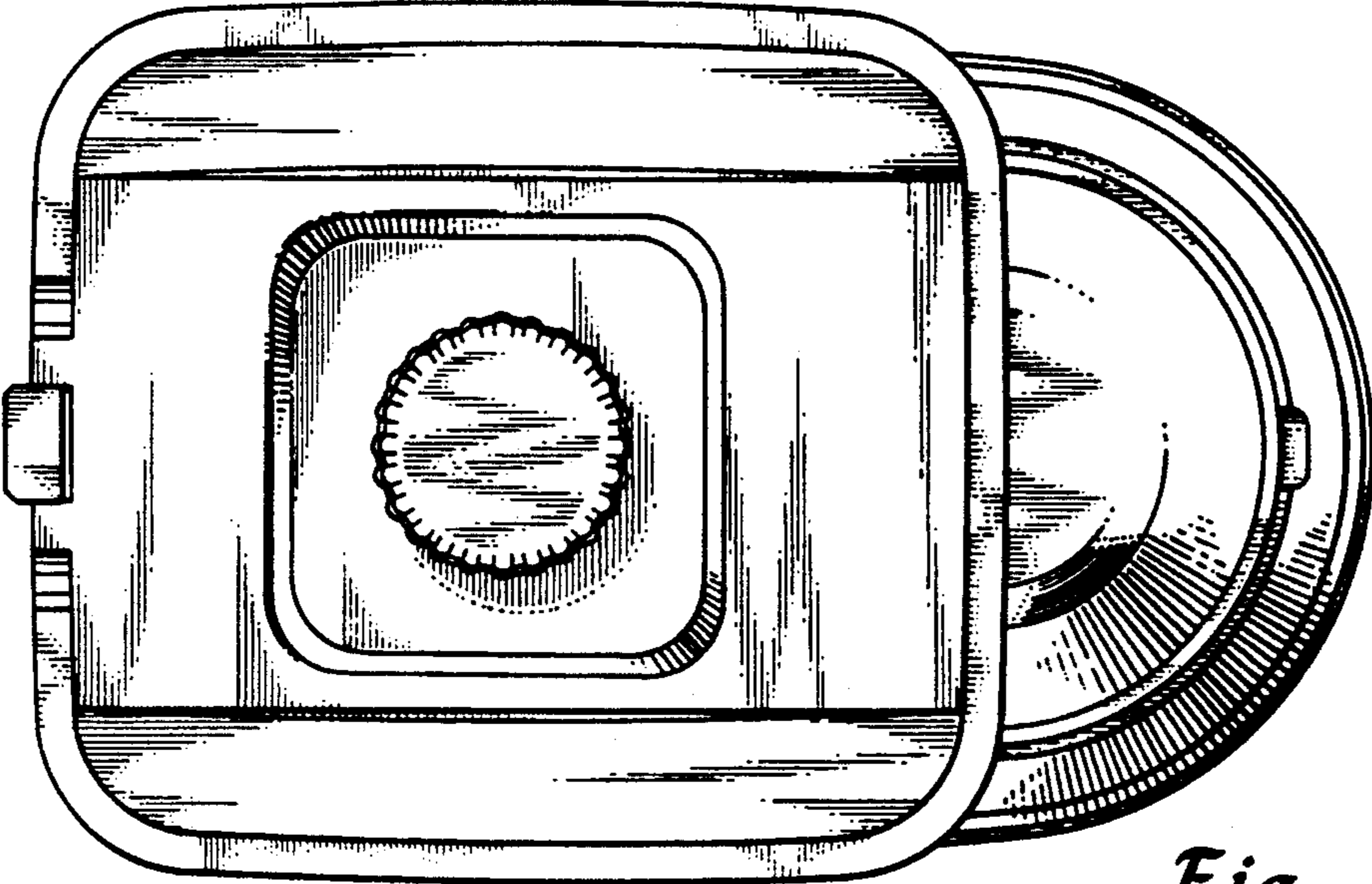


Fig. 2

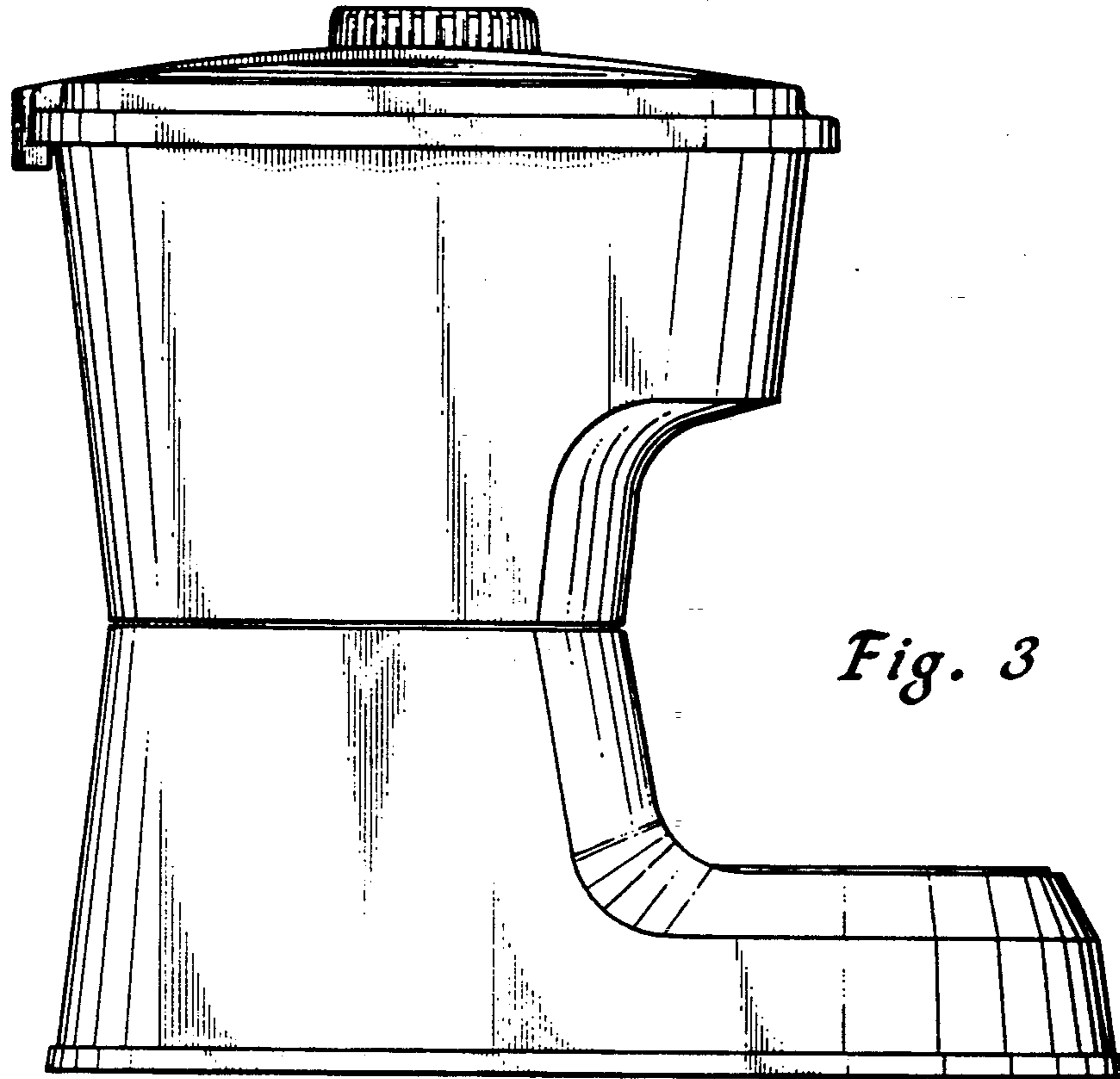


Fig. 3

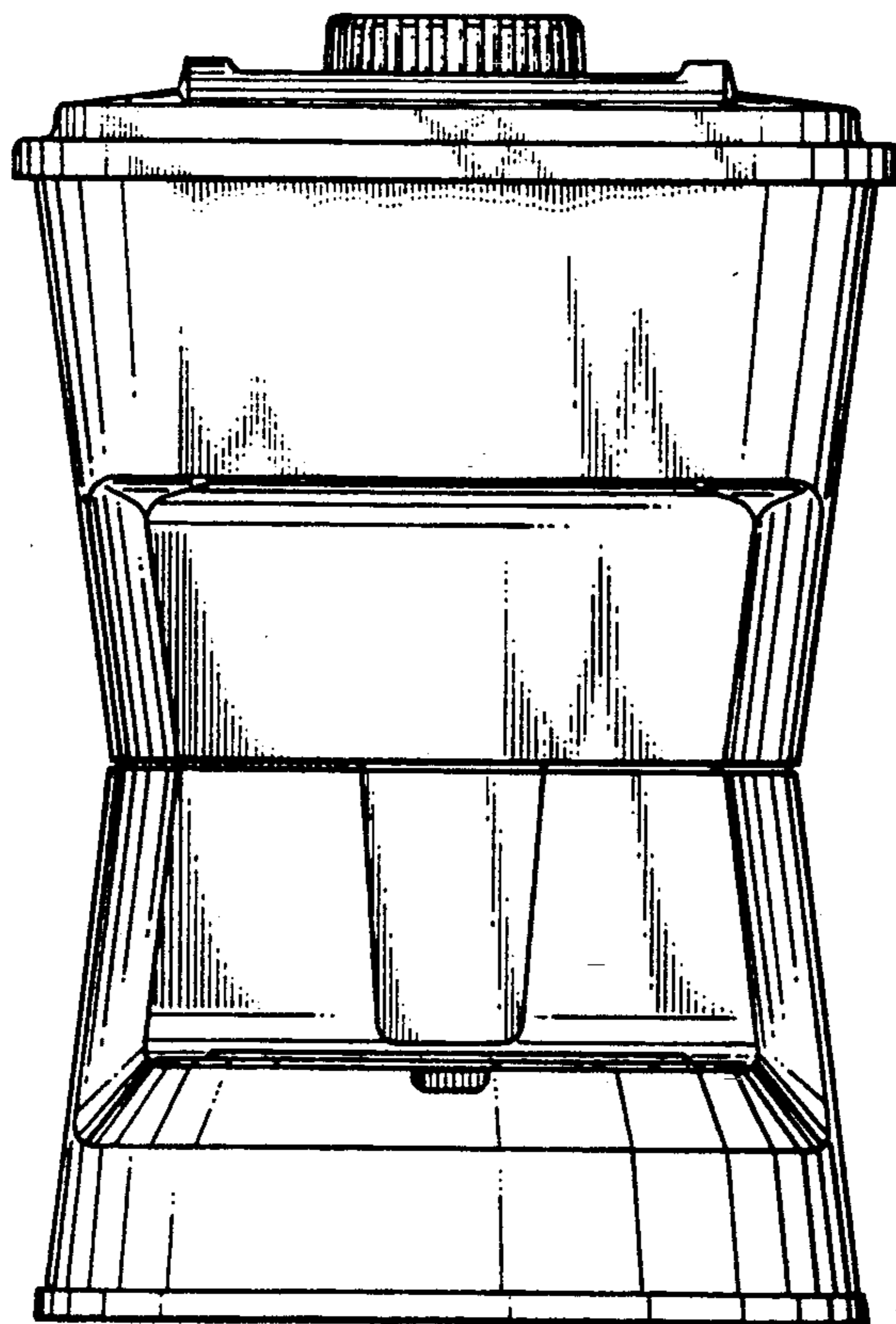


Fig. 4

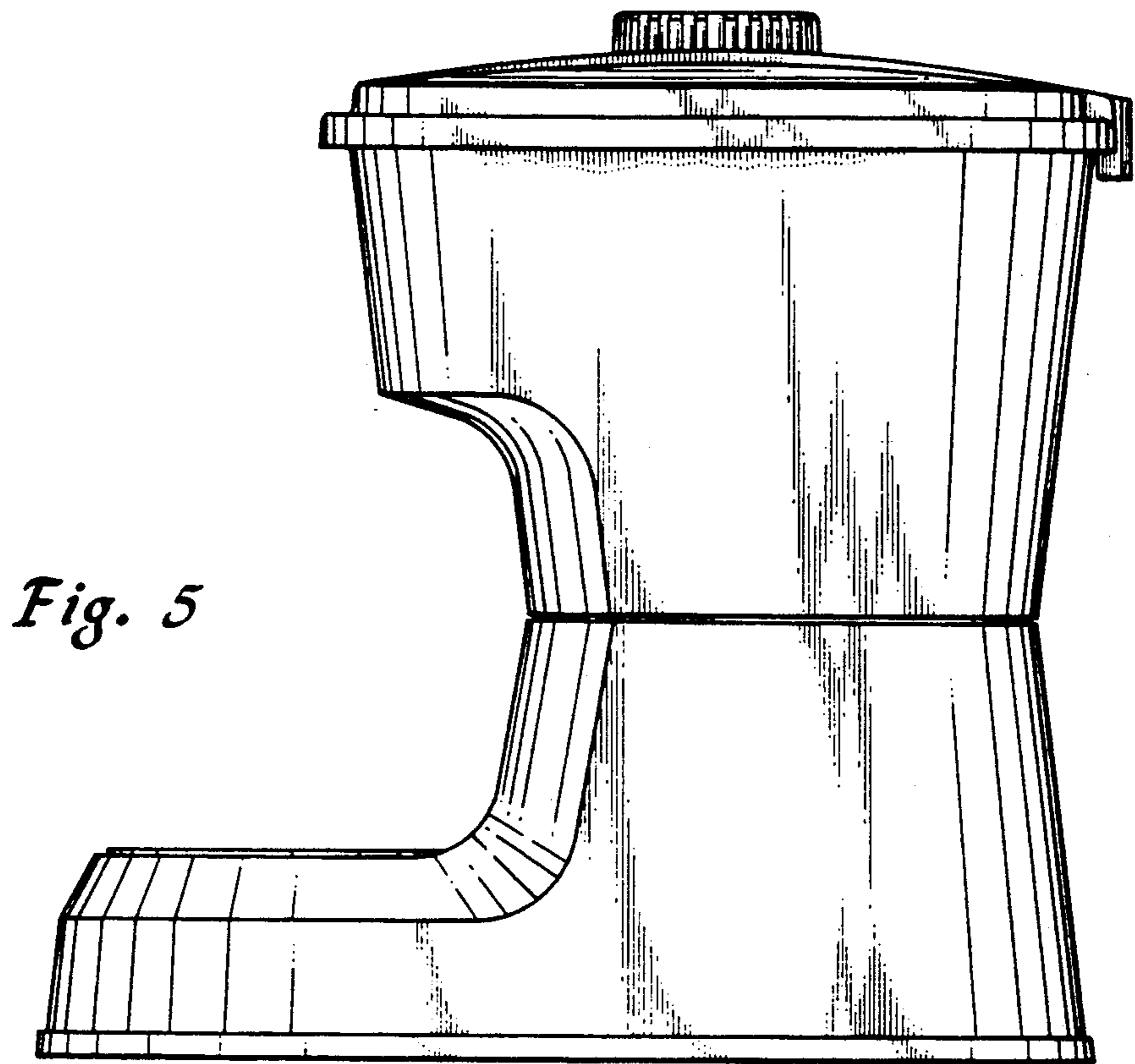


Fig. 5

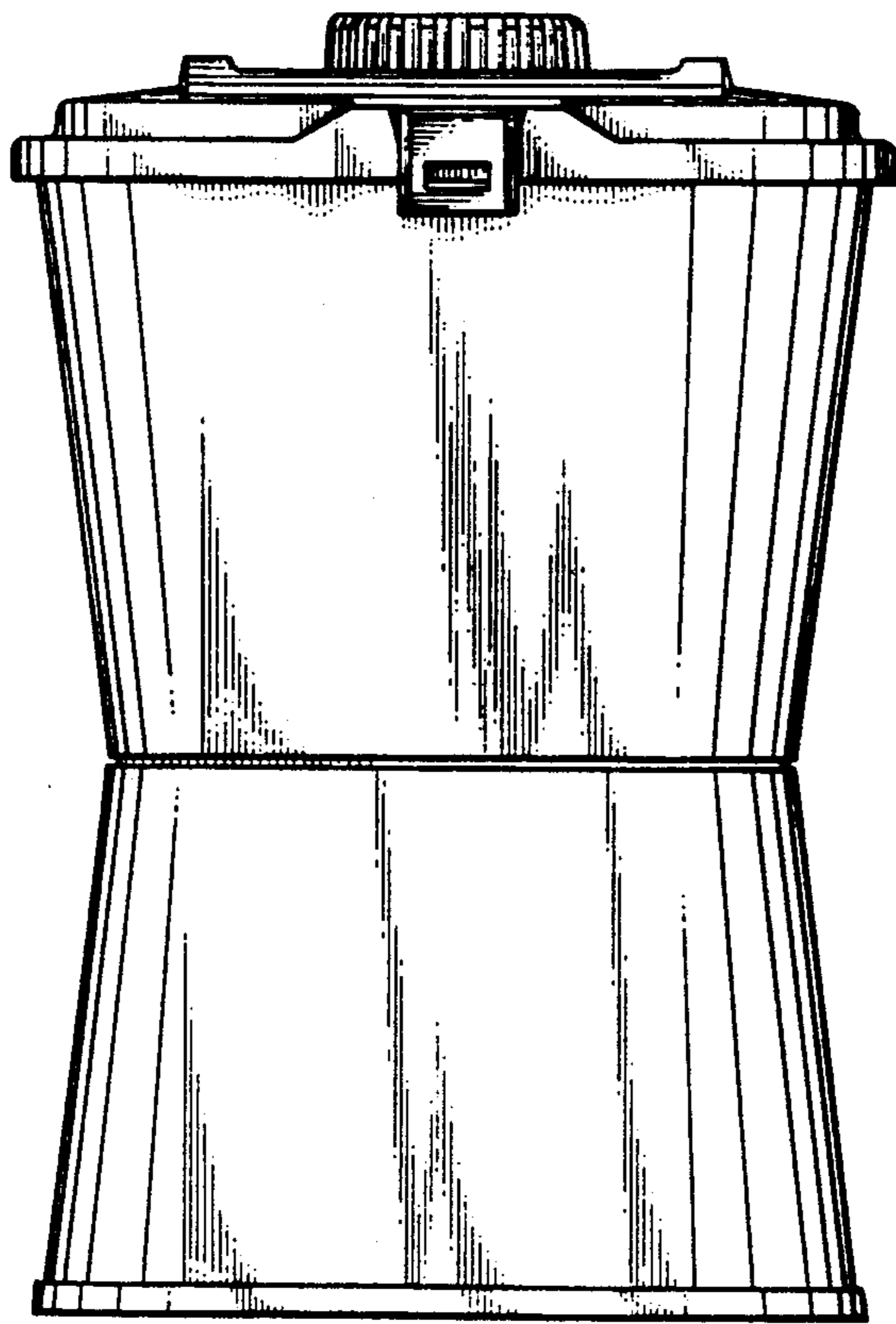


Fig. 6

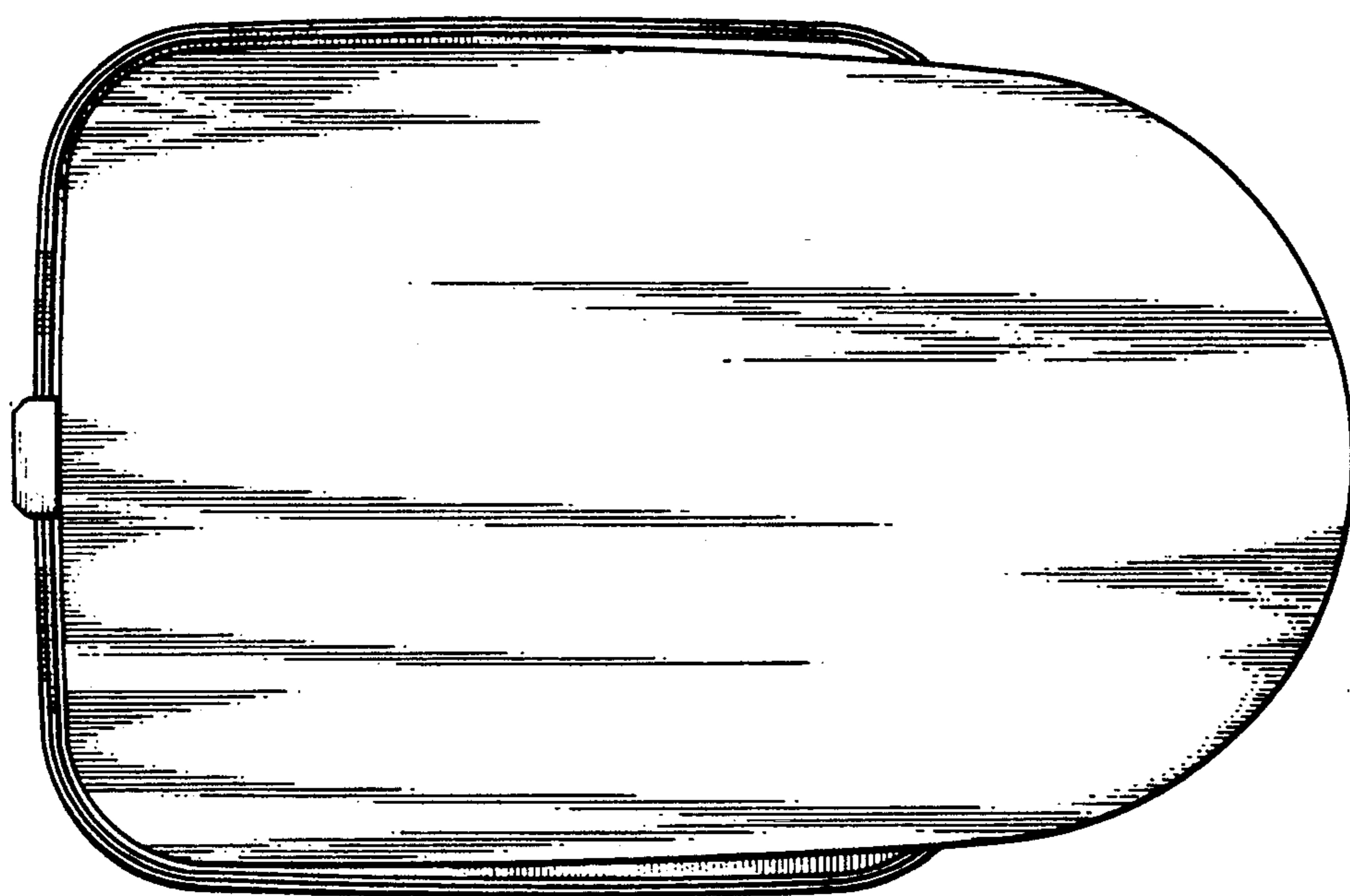


Fig. 7