



US00D330083S

United States Patent [19] Nightingale

[11] Patent Number: **Des. 330,083**

[45] Date of Patent: **** Oct. 6, 1992**

[54] **CERVICAL TRACTION UNIT**

[76] Inventor: **Frank J. Nightingale**, 3791 - 32nd St.,
San Diego, Calif. 92104

[**] Term: **14 Years**

[21] Appl. No.: **490,271**

[22] Filed: **Mar. 8, 1990**

[52] U.S. Cl. **D24/188**

[58] Field of Search **D24/188, 191; 602/18,**
602/19, 17, 32, 33, 35

4,166,459 9/1979 Nightingale 602/32 X

Primary Examiner—Stella Reid
Attorney, Agent, or Firm—Brown, Martin, Haller &
McClain

[57] CLAIM

The ornamental design for a cervical traction unit, as shown and described.

DESCRIPTION

FIG. 1 is a front perspective view of a cervical traction unit, showing my new design;

FIG. 2 is a side elevational view thereof, the broken line showing of the head being for illustrative purposes only and forming no part of the claimed design;

FIG. 3 is a rear elevational view thereof; and,

FIG. 4 is a bottom plan view thereof.

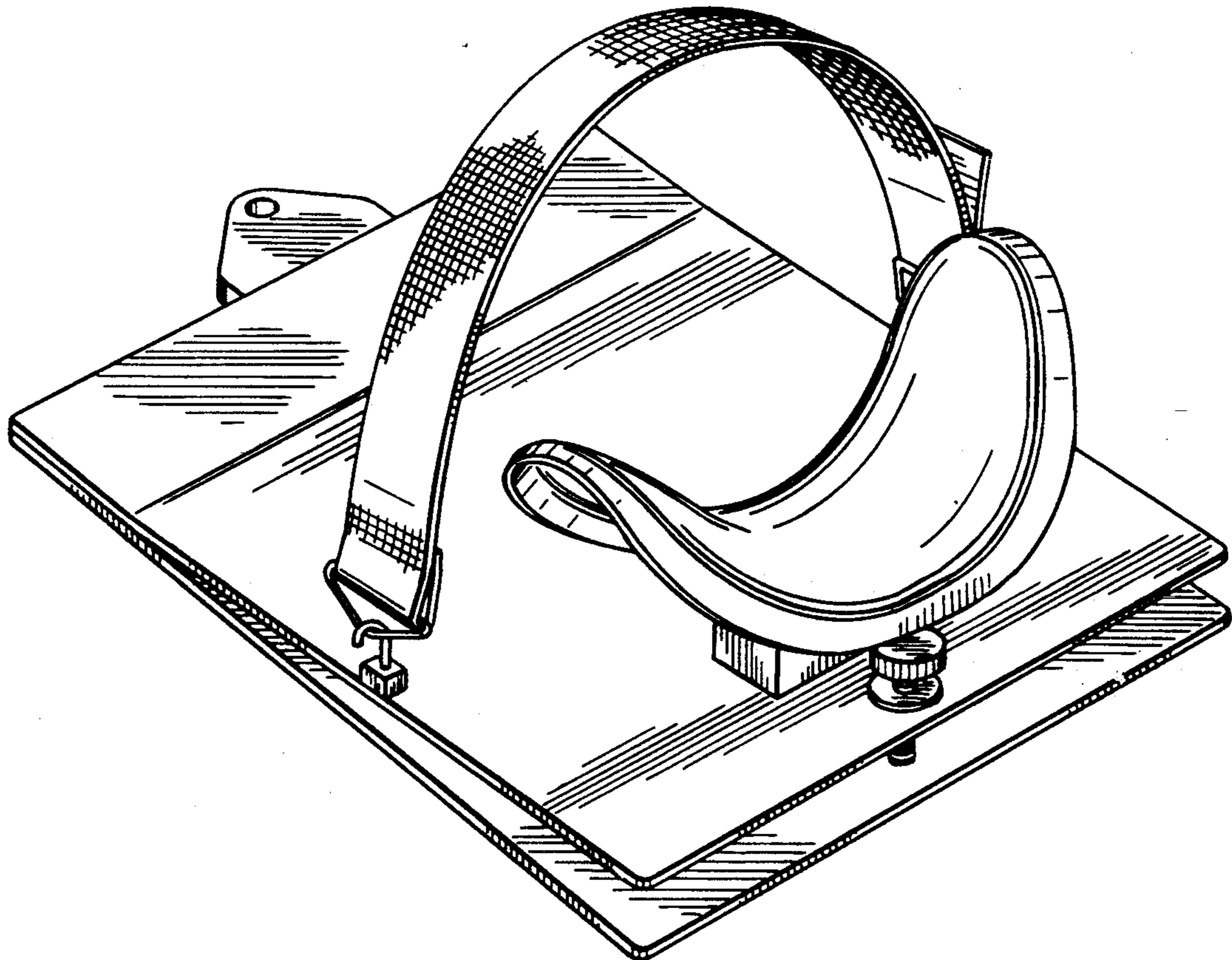
[56] **References Cited**

U.S. PATENT DOCUMENTS

D. 229,359 11/1973 Nightingale D24/189

D. 272,467 1/1984 Nightingale D24/188

3,737,923 6/1973 Prolo 602/18 X



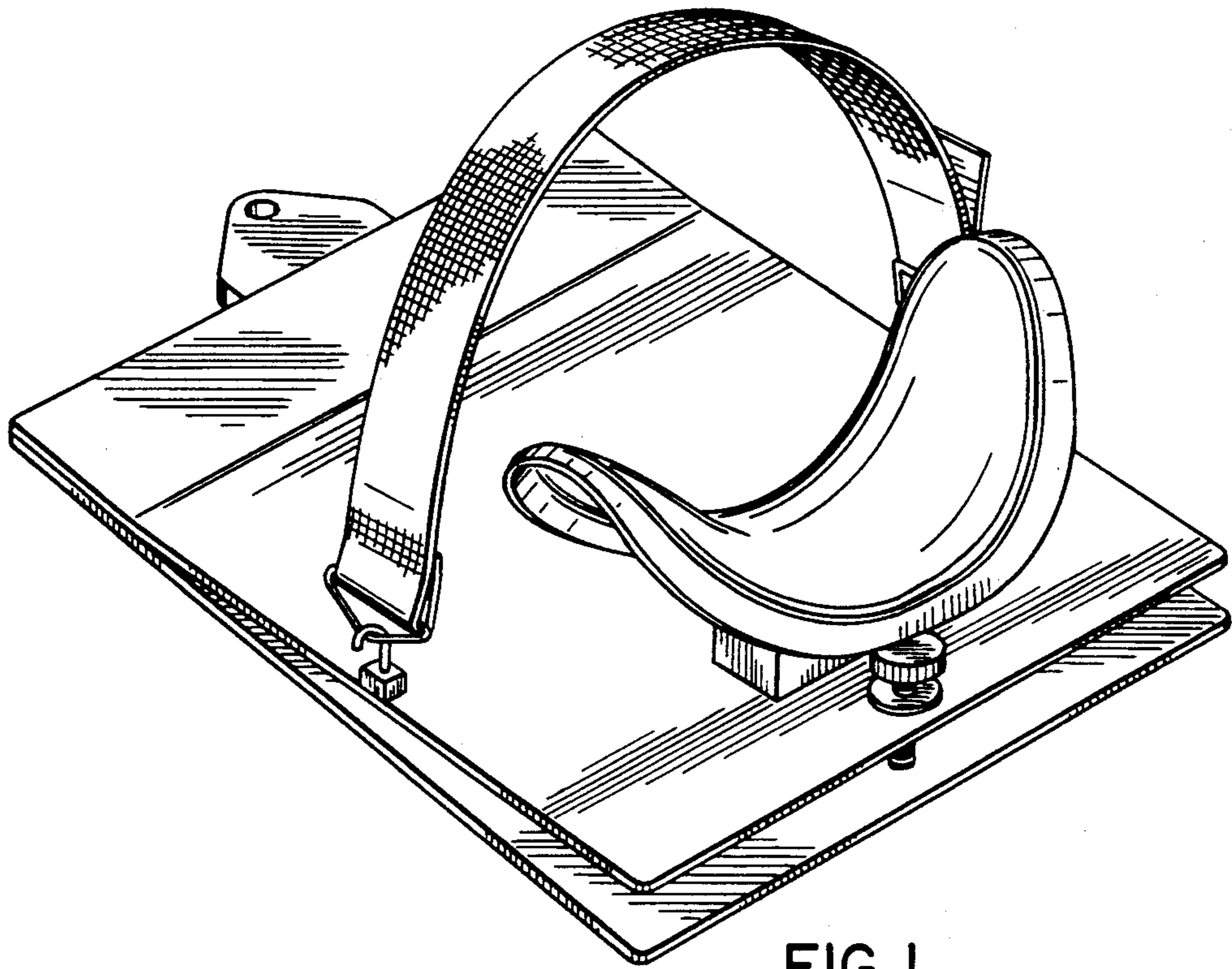


FIG. 1

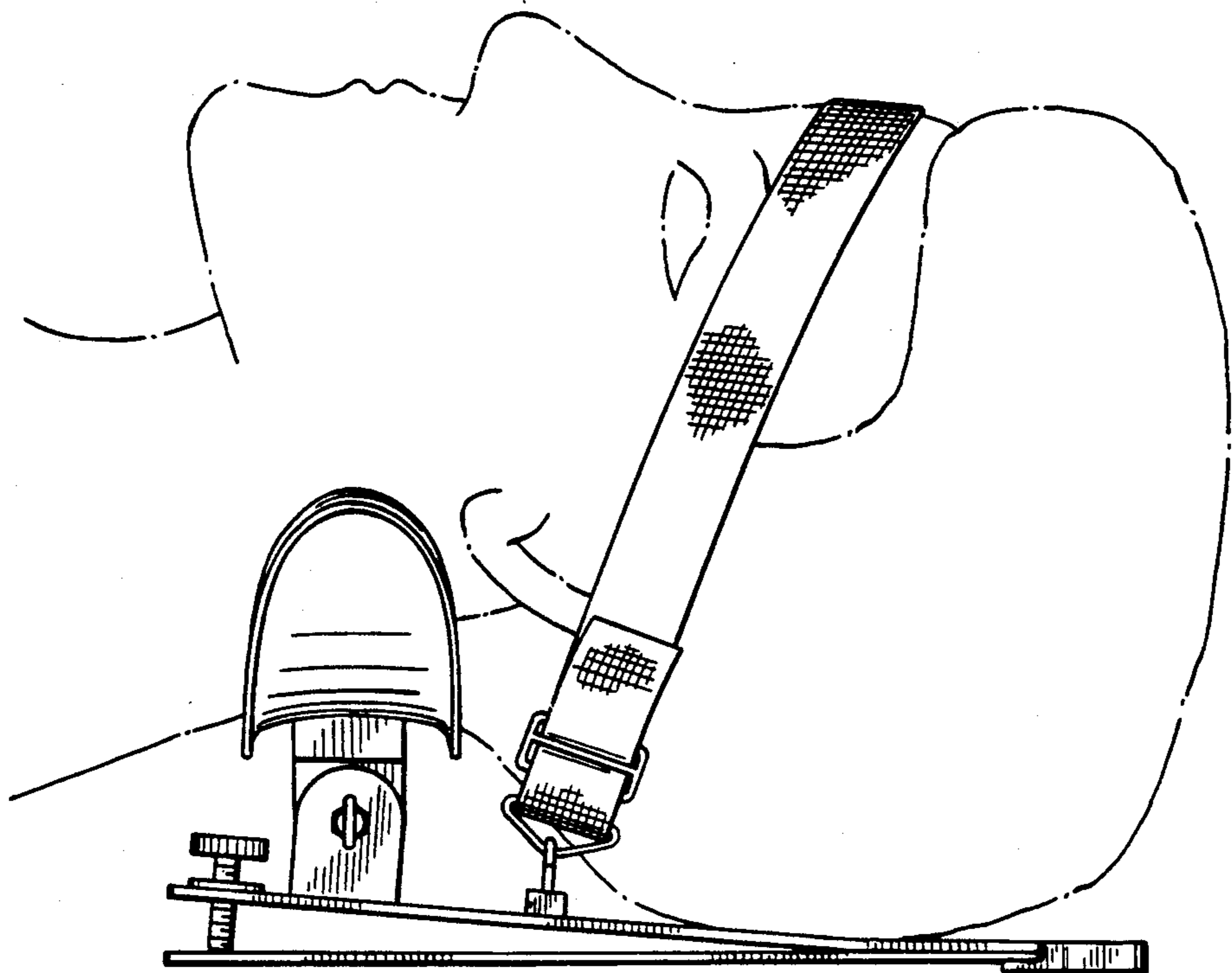


FIG. 2

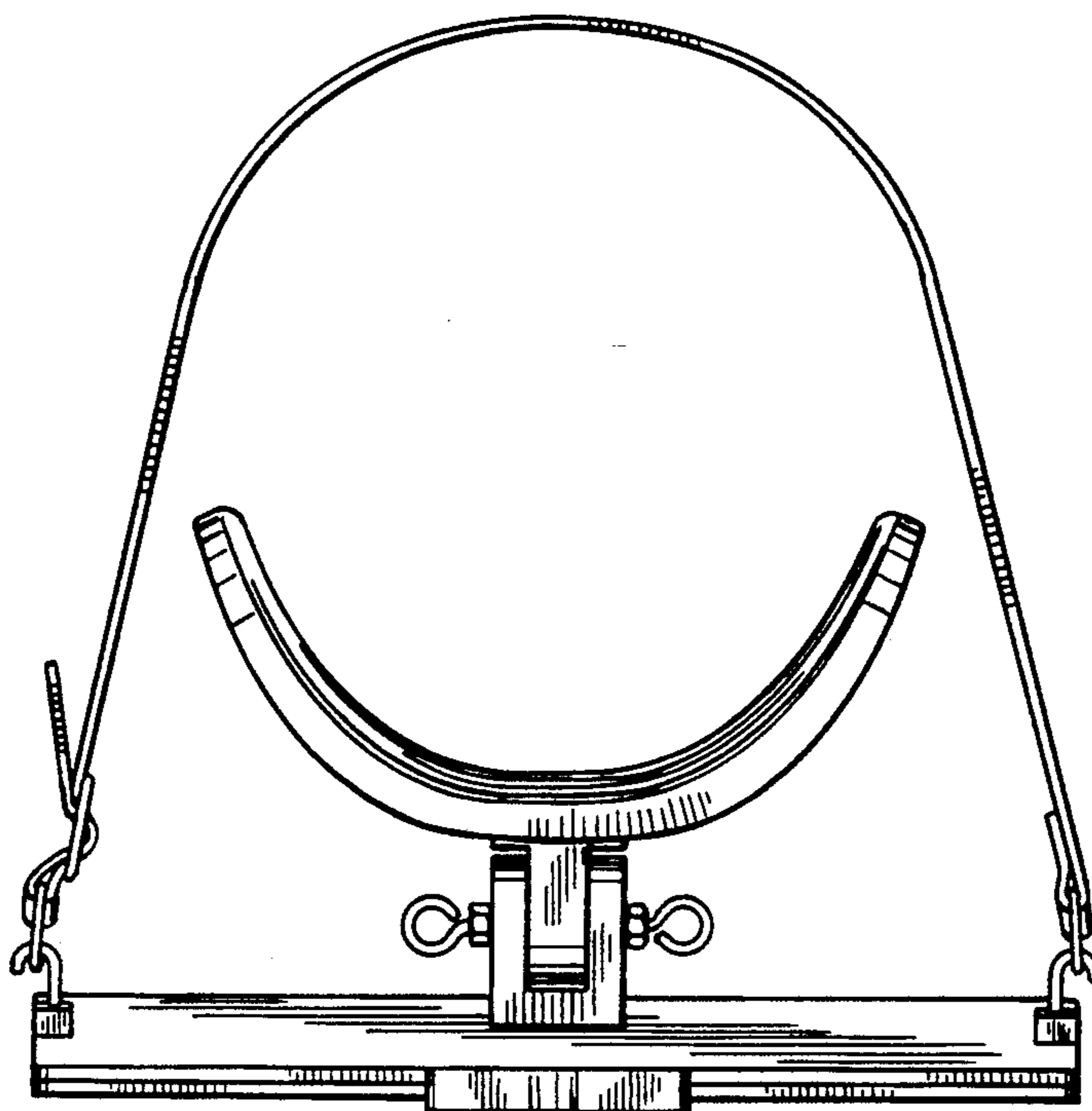


FIG. 3

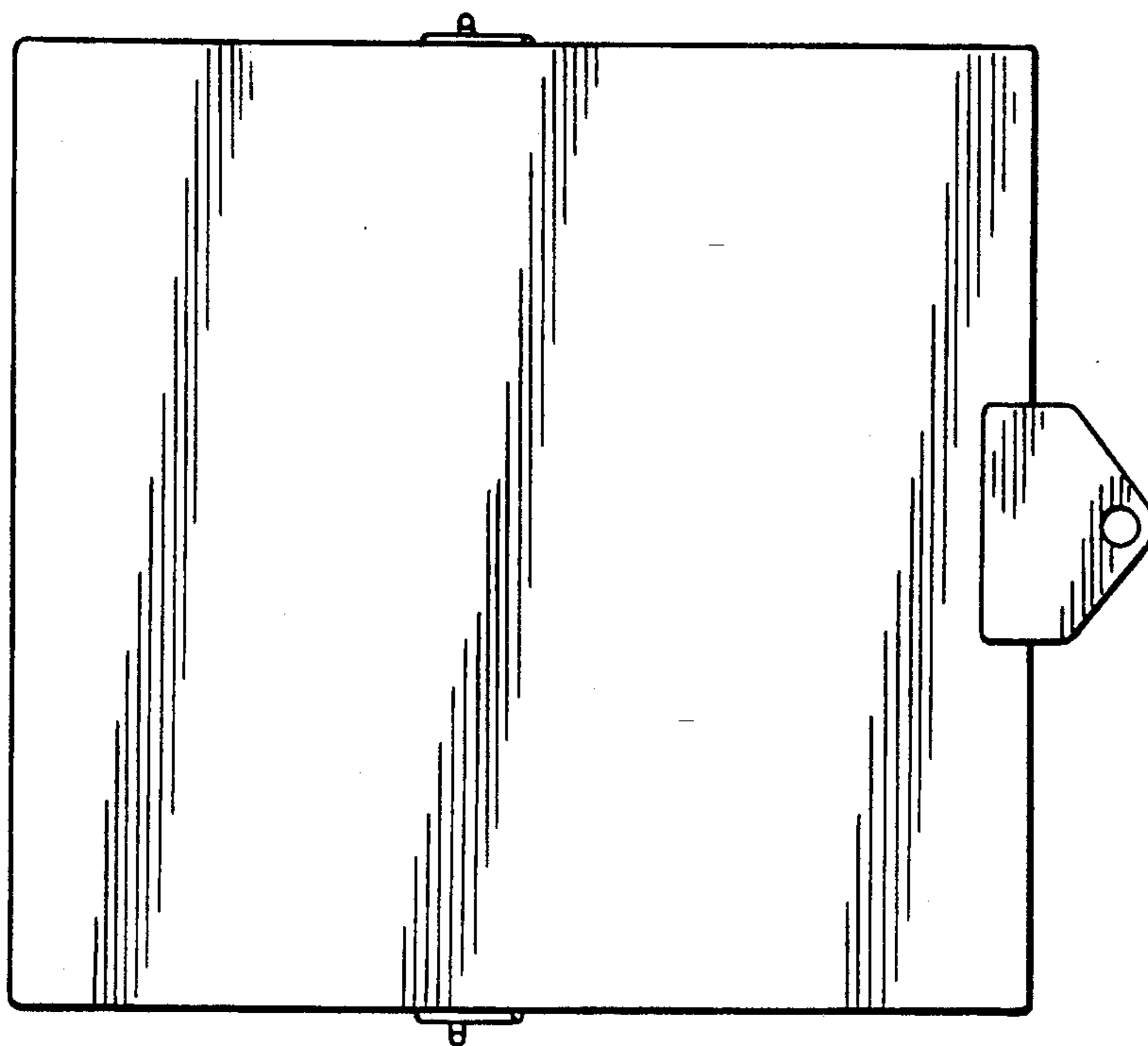


FIG. 4