



US00D330078S

United States Patent [19]

[11] Patent Number: **Des. 330,078**

Porter

[45] Date of Patent: **** Oct. 6, 1992**

[54] **BALLOON CATHETER INFLATOR**

[75] Inventor: **William M. Porter, Carlsbad, Calif.**

[73] Assignee: **Medtronic, Inc., Minneapolis, Minn.**

[**] Term: **14 Years**

[21] Appl. No.: **611,874**

[22] Filed: **Nov. 9, 1990**

[52] U.S. Cl. **D24/111; D23/231; D24/127**

[58] Field of Search **604/97-100, 604/208-209, 218, 221; 222/638-639; 73/715, 730, 732, 741; D24/111, 127; D23/231-232**

[56] **References Cited**

U.S. PATENT DOCUMENTS

D. 309,663	7/1990	Robinson .	
4,341,218	7/1982	ü.....	604/97X
4,370,982	2/1983	Reilly .	
4,429,724	2/1984	Dorros .	
4,476,866	10/1984	Chin .	
4,583,974	4/1986	Kokernak .	
4,654,027	3/1987	Dragan .	
4,655,749	4/1987	Fischione	604/98
4,710,172	12/1987	Jacklich et al.	604/224 X

4,723,938	2/1988	Goodin .	
4,740,203	4/1988	Hoskins .	
4,743,230	5/1988	Nordquest .	
4,758,223	7/1988	Rydell .	
4,832,692	5/1989	Box et al. .	
4,838,864	6/1989	Peterson .	
4,919,121	4/1990	Rydell et al. .	
4,929,238	5/1990	Baum .	
4,940,459	7/1990	Noce .	
5,015,233	5/1991	McGough et al.	604/97
5,019,041	5/1991	Robinson et al. .	

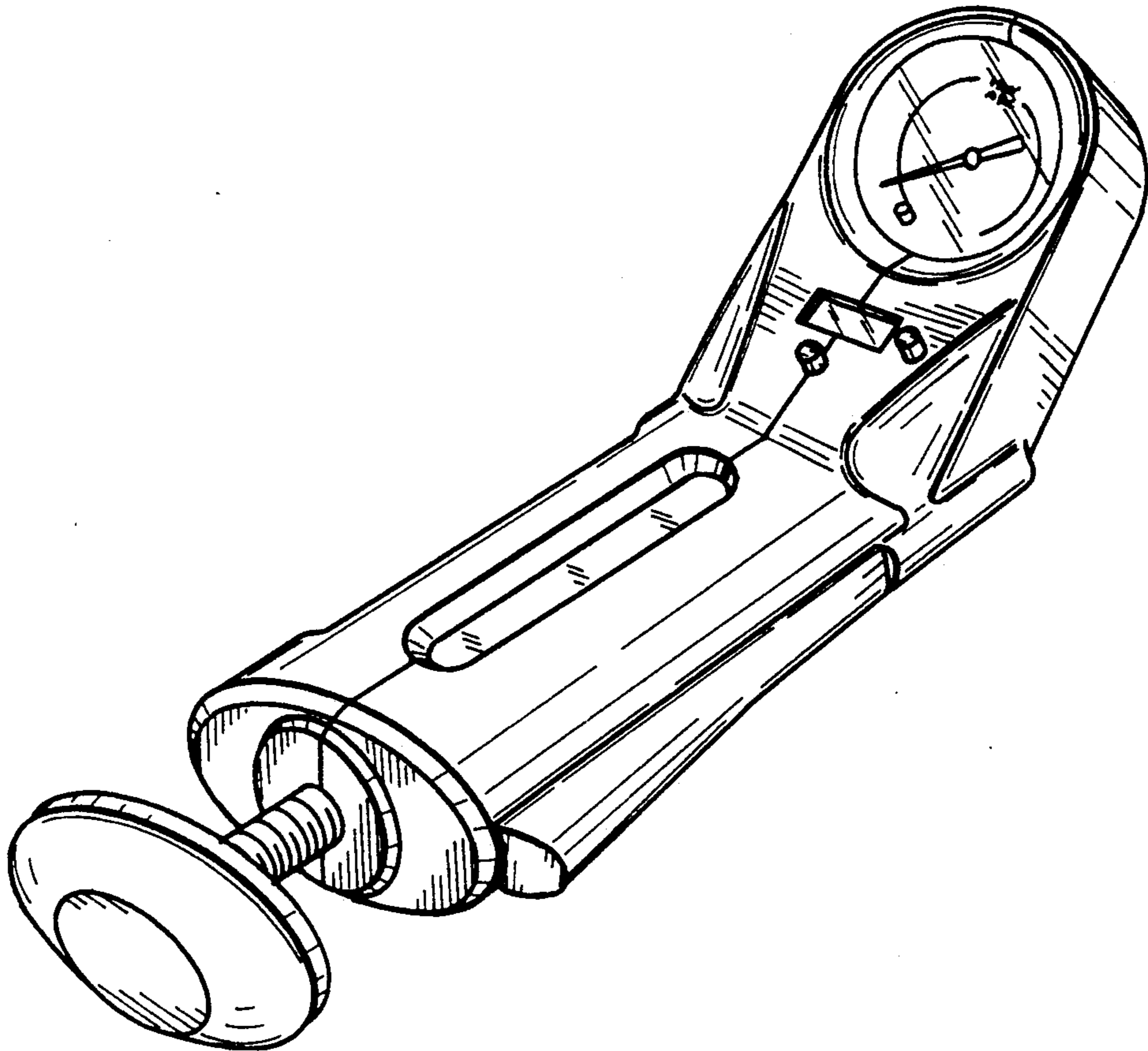
Primary Examiner—Susan J. Lucas
Assistant Examiner—M. H. Tung
Attorney, Agent, or Firm—Sandra S. Schultz

[57] **CLAIM**

The ornamental design for a balloon catheter inflator, as shown.

DESCRIPTION

FIG. 1 is a top perspective view of a balloon catheter inflator showing my new design; FIG. 2 is a top plan view thereof; FIG. 3 is a side elevational view thereof; FIG. 4 is right end elevational view thereof; FIG. 5 is a bottom plan view thereof; and, FIG. 6 is a left end elevational view thereof.



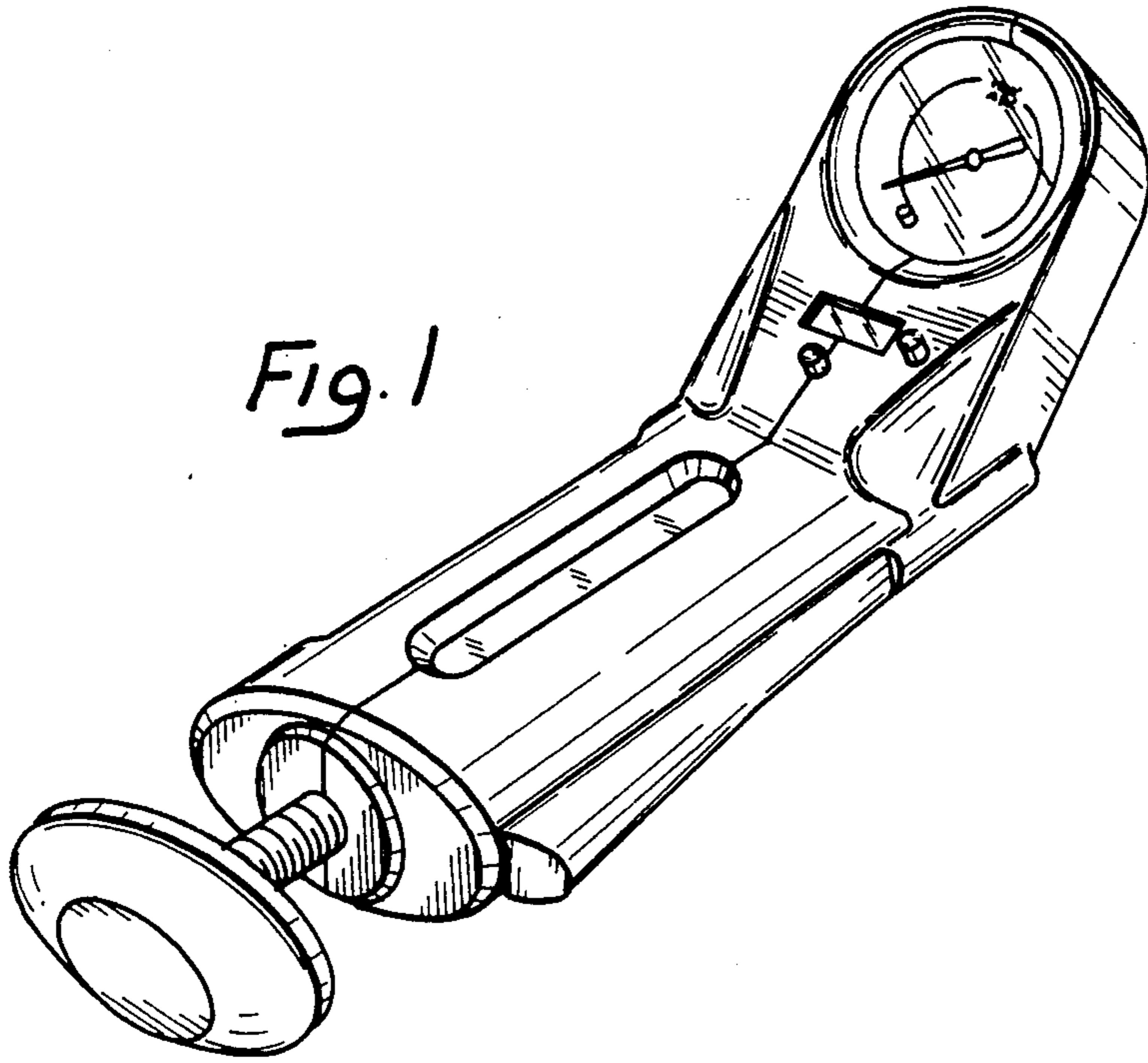


Fig. 4

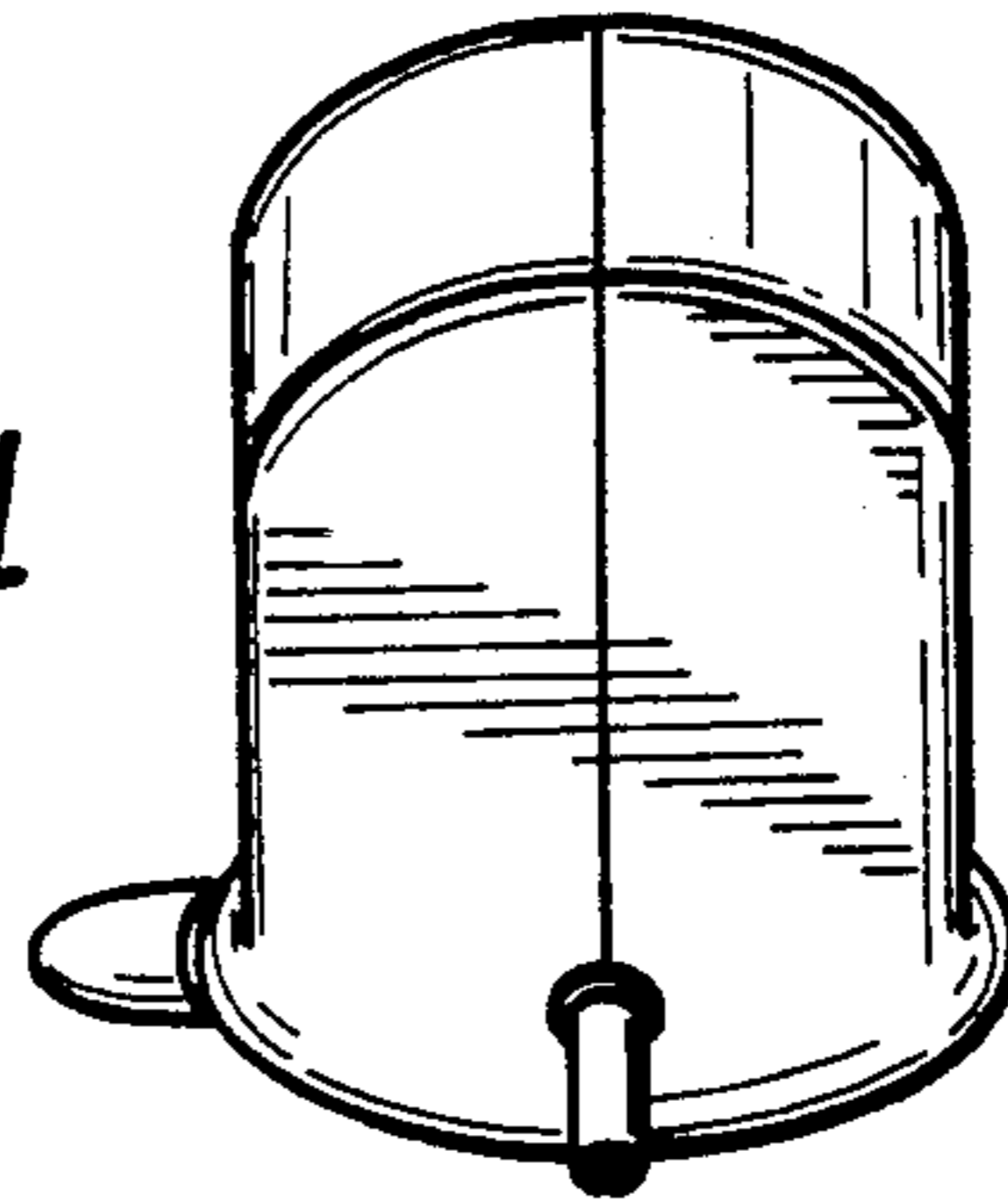
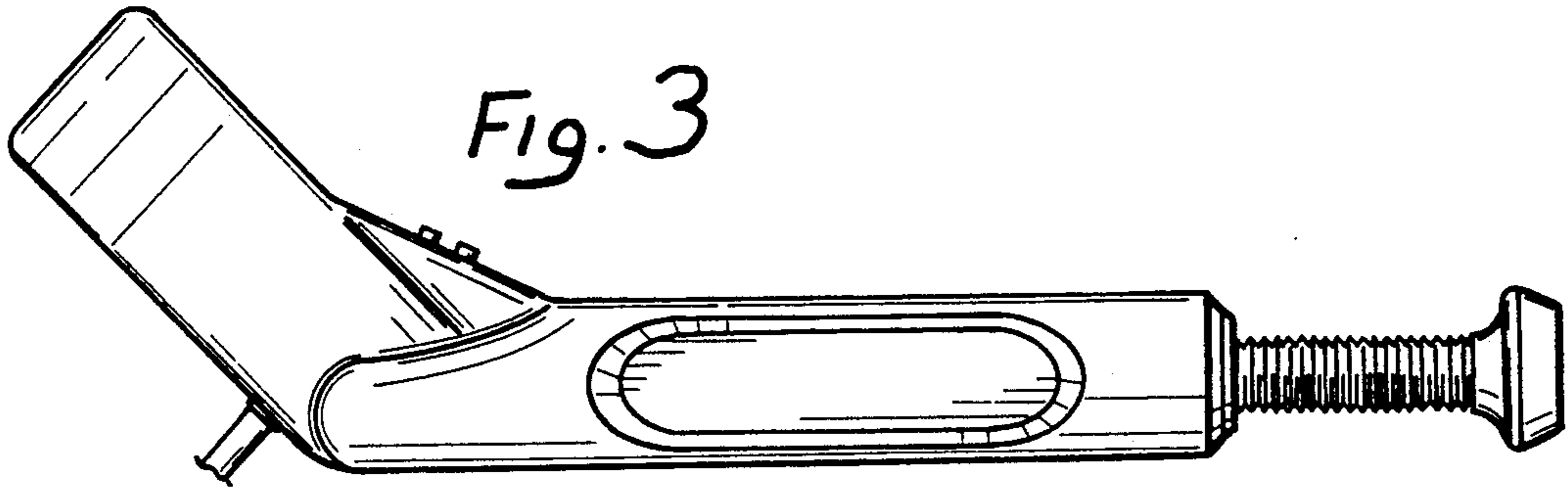


Fig. 3



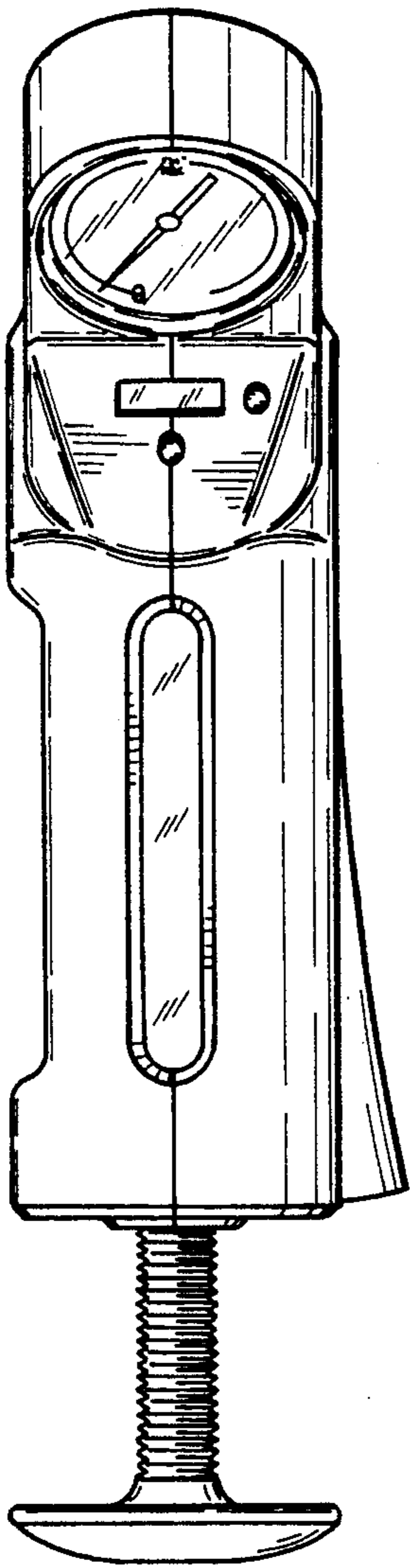


Fig. 2

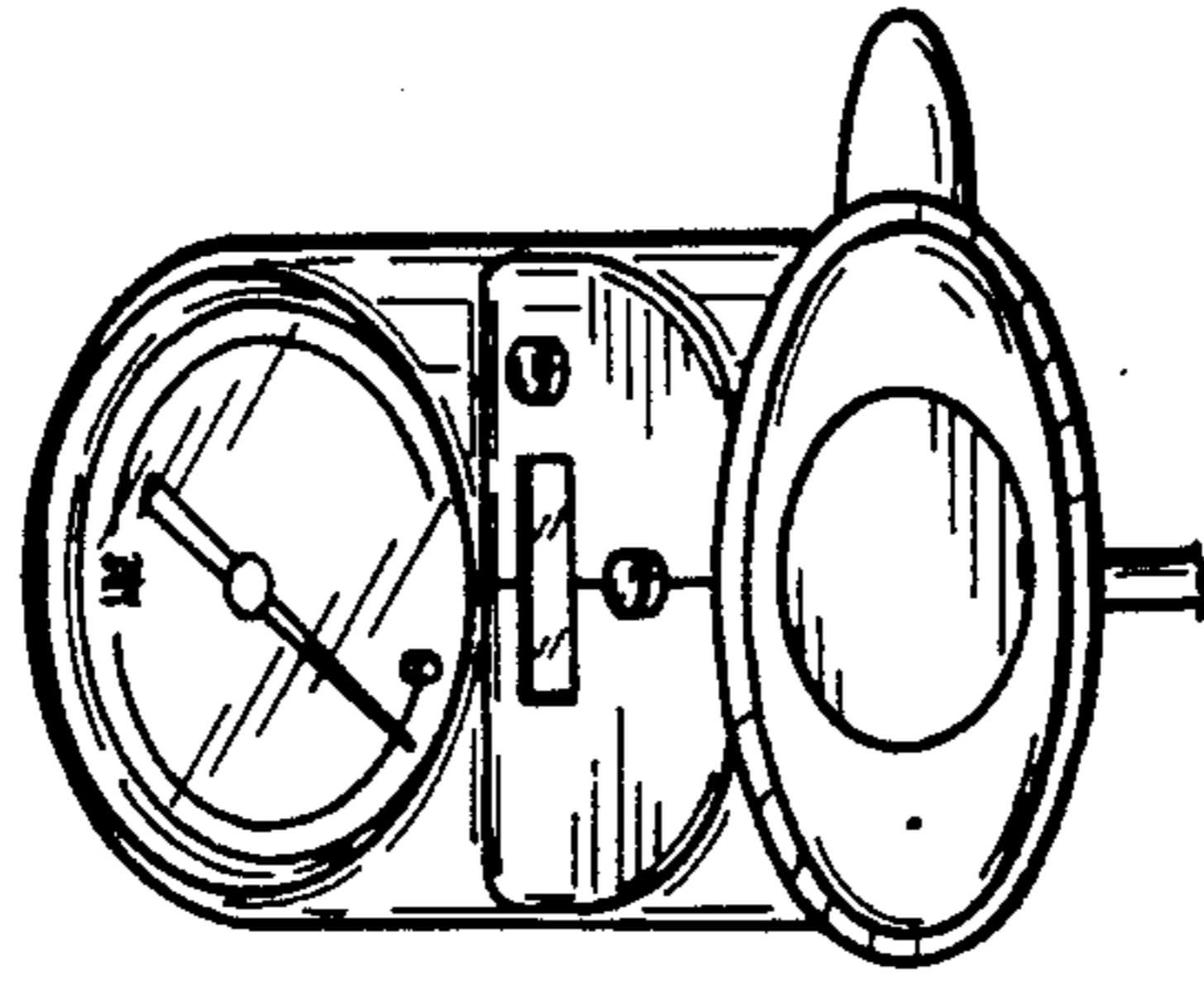


Fig. 6

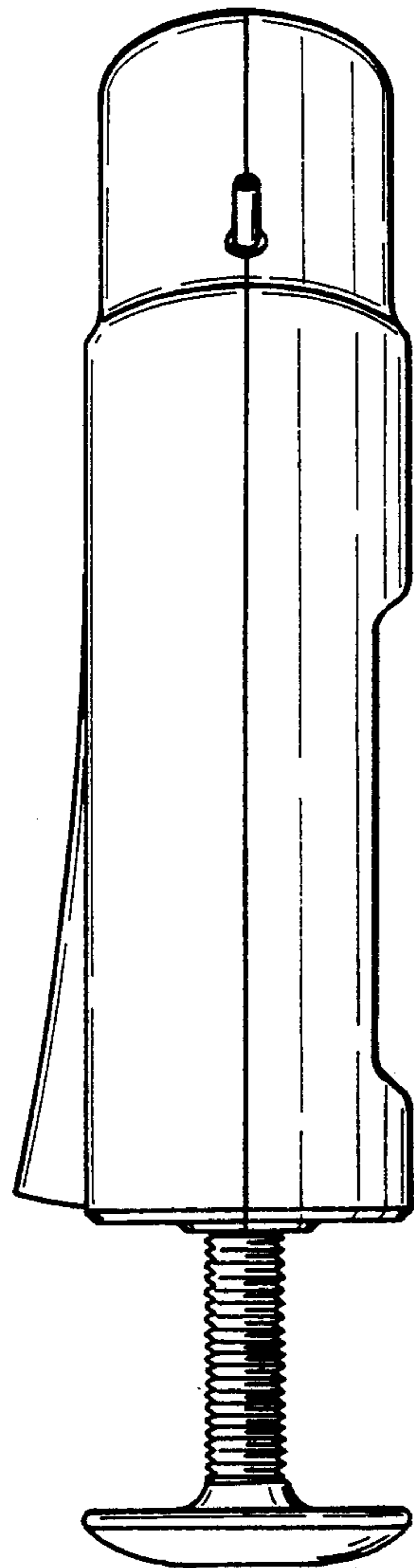


Fig. 5