



US00D330076S

# United States Patent [19]

[11] Patent Number: Des. 330,076

Evans

[45] Date of Patent: \*\* Oct. 6, 1992

[54] FIREPLACE HEAT EXCHANGE UNIT

[76] Inventor: Dennis D. Evans, 1349 Thamesford Dr., Virginia Beach, Va. 23464

[\*\*] Term: 14 Years

[21] Appl. No.: 668,451

[22] Filed: Mar. 12, 1991

[52] U.S. Cl. .... D23/403; D23/386

[58] Field of Search ..... D23/403, 347, 392, 405, D23/406, 342, 343, 344, 346, 350, 409; 126/523, 531

rectory, p. 290, Energizer-AHWC-10S, top right side of page.

Miracle Heat Inc. ADV. Brochure, Miracle Neat Cat 2000, top of page.

Primary Examiner—Wallace R. Burke  
Assistant Examiner—Lisa Lichtenstein  
Attorney, Agent, or Firm—Terry M. Gernstein

[57] CLAIM

The ornamental design for a fireplace heat exchange unit, as shown.

### DESCRIPTION

FIG. 1 is a top front and right side perspective view of a fireplace heat exchange unit showing my new design; FIG. 2 is a front elevational view thereof on a reduced scale; FIG. 3 is a rear elevational view thereof on a reduced scale; FIG. 4 is a left side elevational view thereof on a reduced scale; FIG. 5 is a right side elevational view thereof on a reduced scale; FIG. 6 is a top plan view thereof on a reduced scale; and, FIG. 7 is a bottom plan view thereof on a reduced scale.

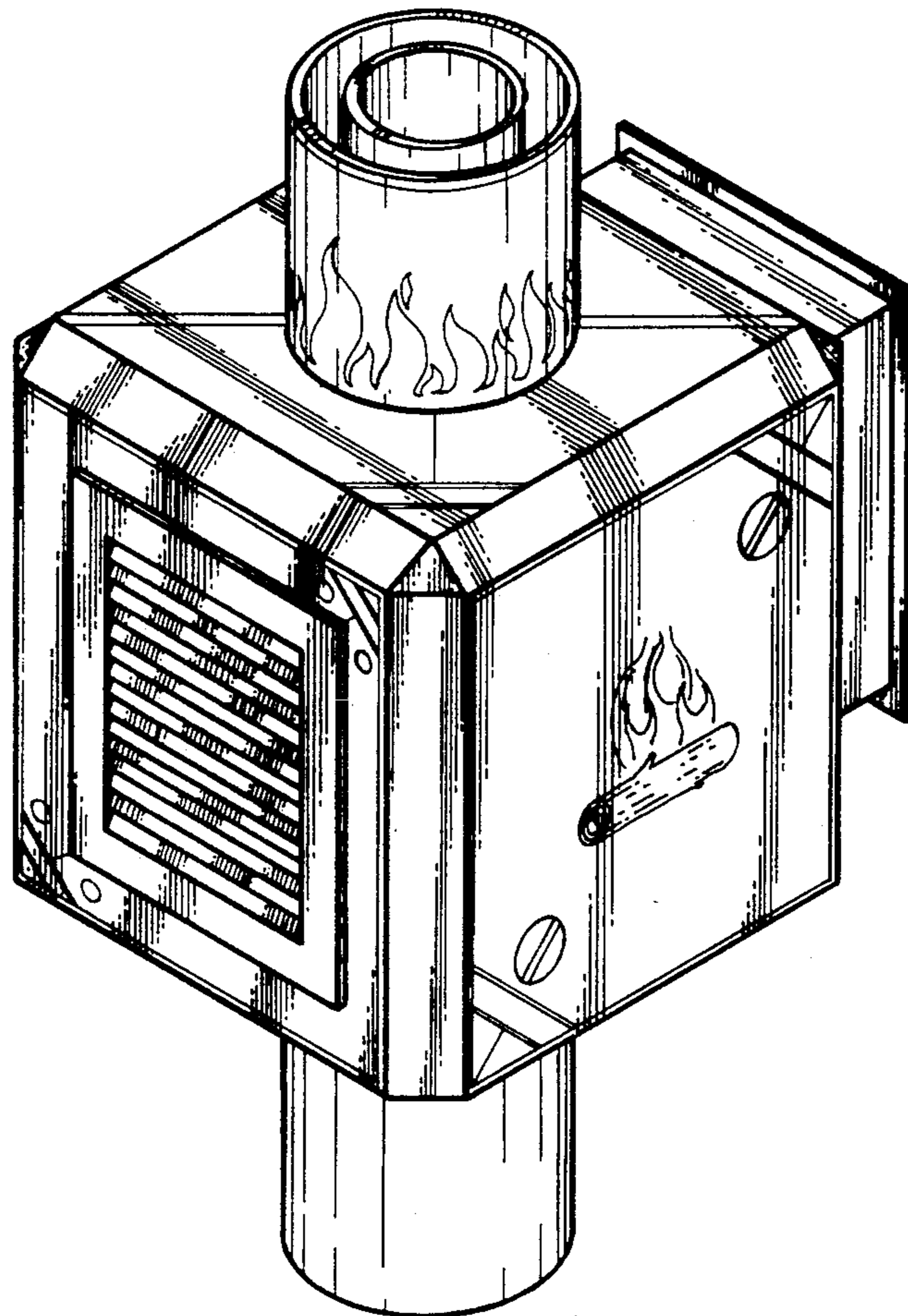
[56] References Cited

#### U.S. PATENT DOCUMENTS

D. 253,067	10/1979	Hartley	.....	D23/405
4,185,612	1/1980	Briner et al.	.....	126/531
4,286,975	9/1981	Whiteley	.....	55/269
4,295,519	10/1981	Bellaff	.....	105/11.1
4,390,352	6/1983	Griin	.....	55/208

#### OTHER PUBLICATIONS

Atlanta Stove Works Birmingham, Stove & Range Co. ADV. Brochure, ©1984, p. 5, Heat Reclaimer, left bottom side of page.  
Woodstove, Coalstove, Fireplace and Equipment Di-



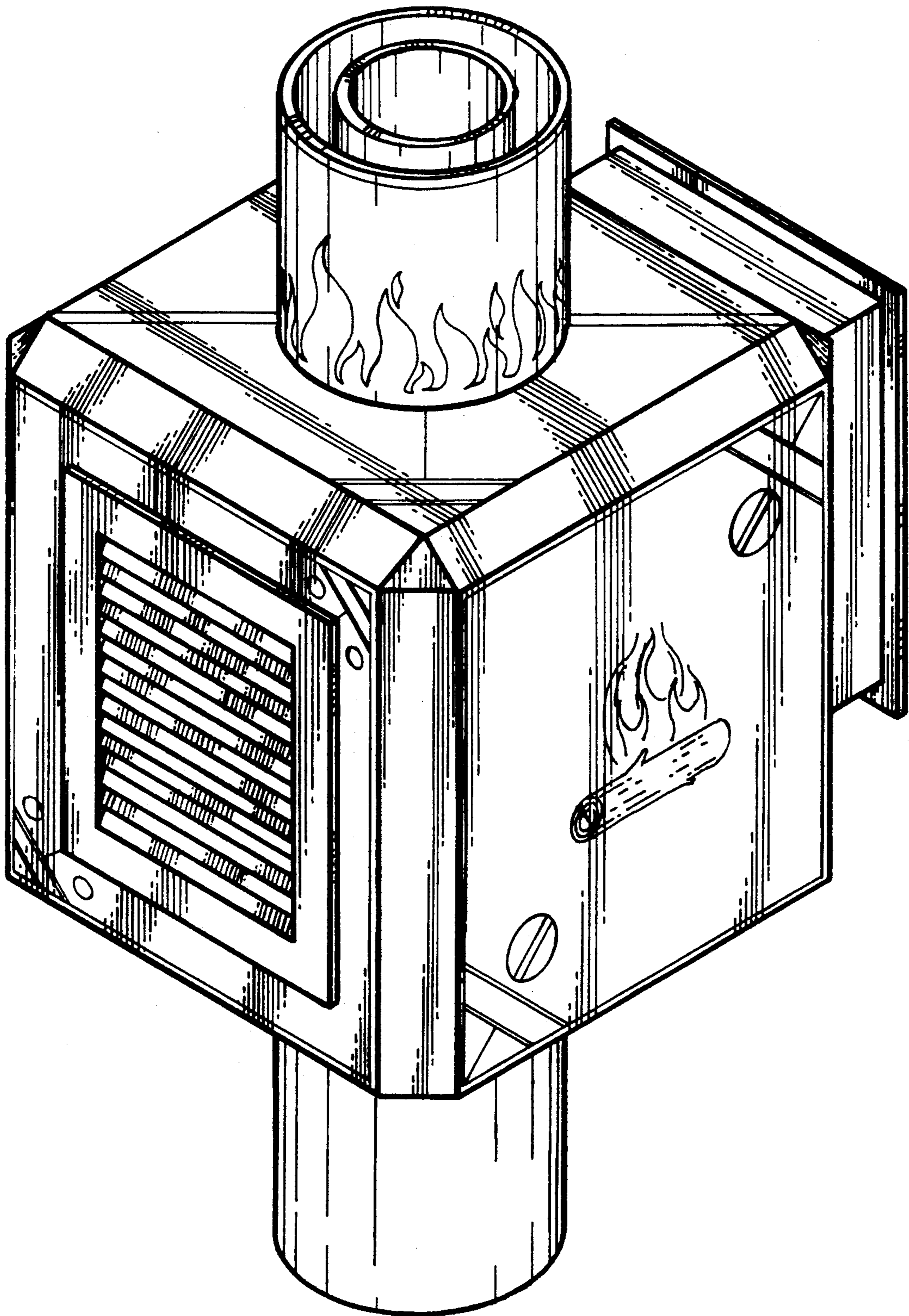


FIG. 1

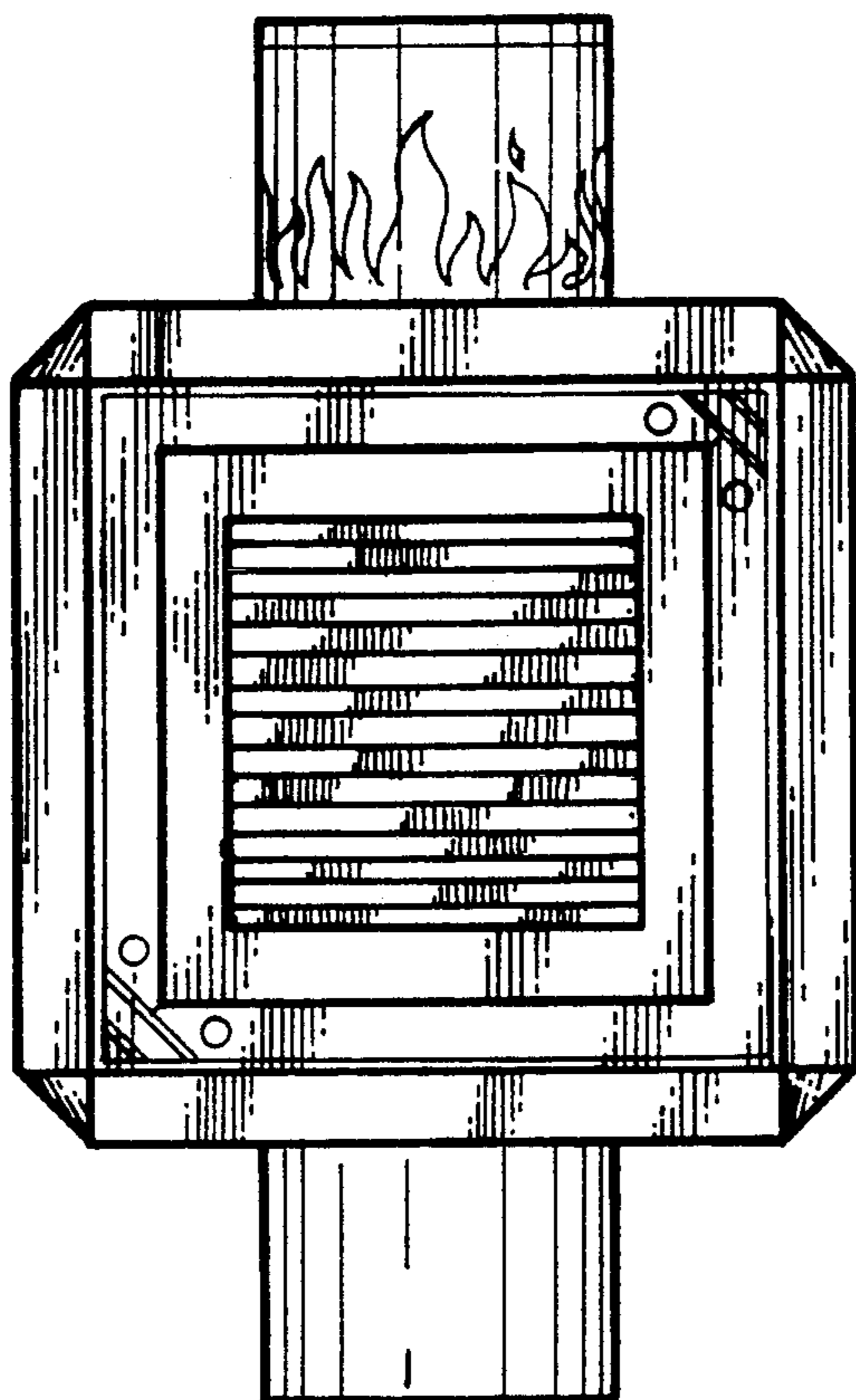


FIG. 2

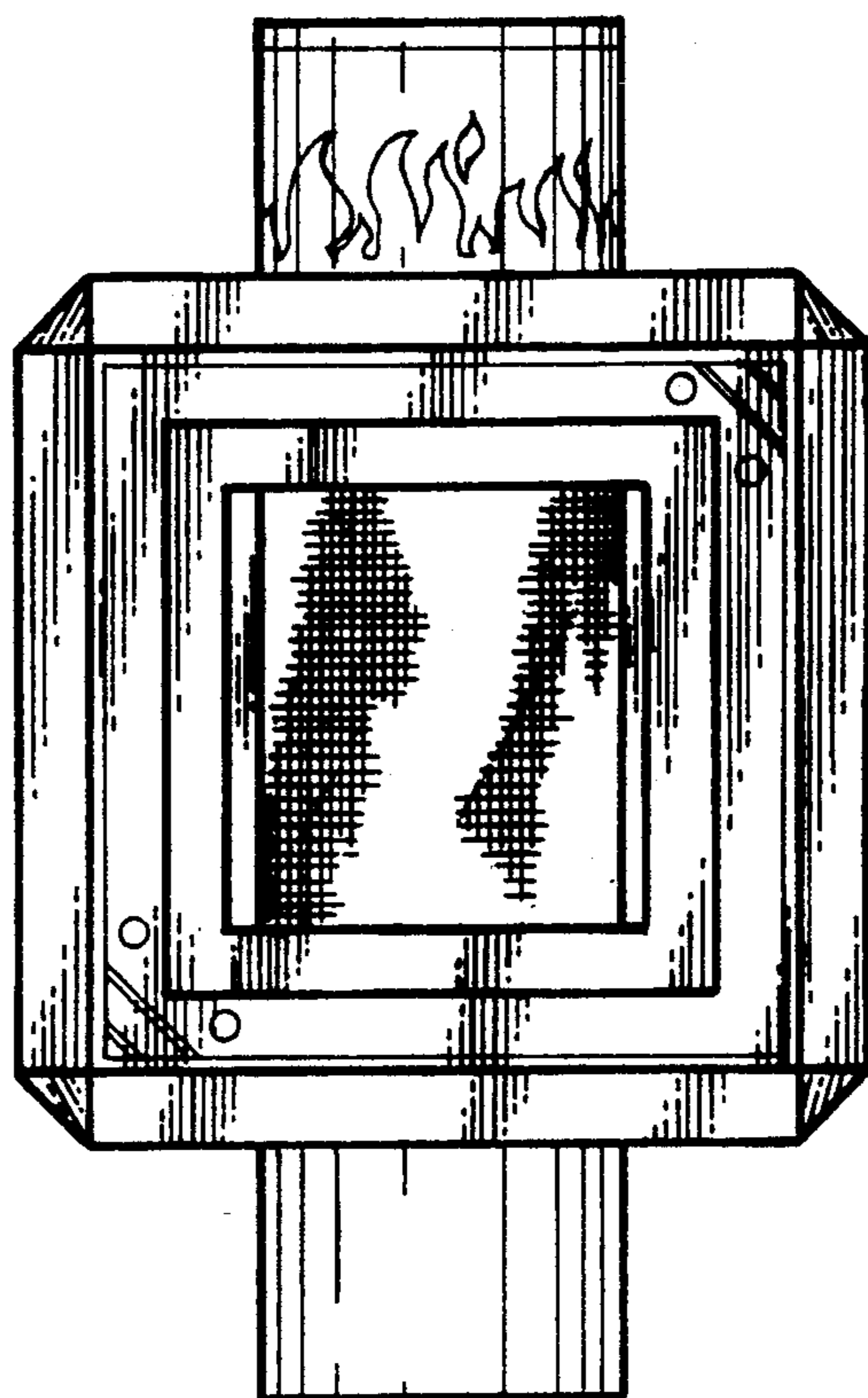


FIG. 3

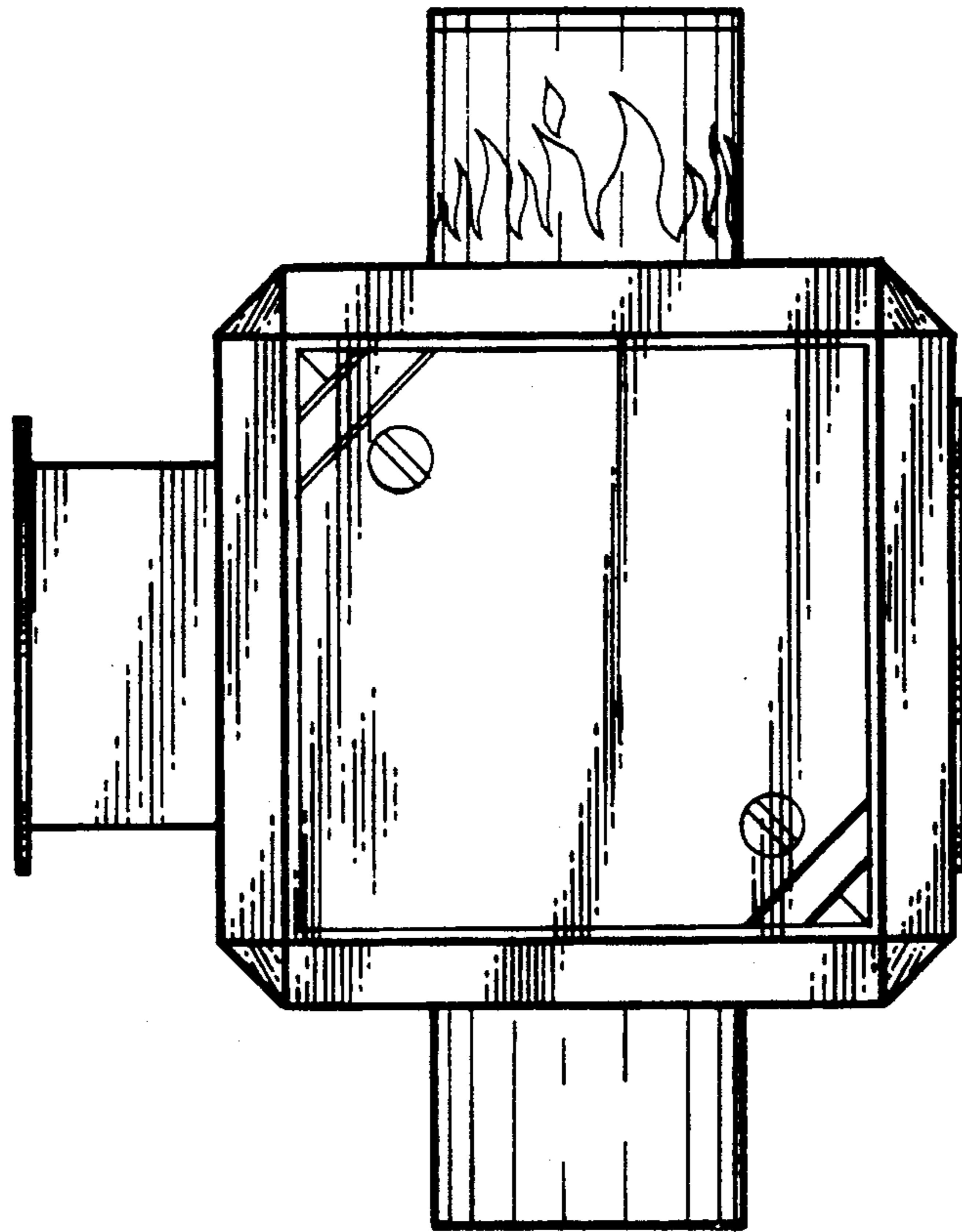


FIG. 4

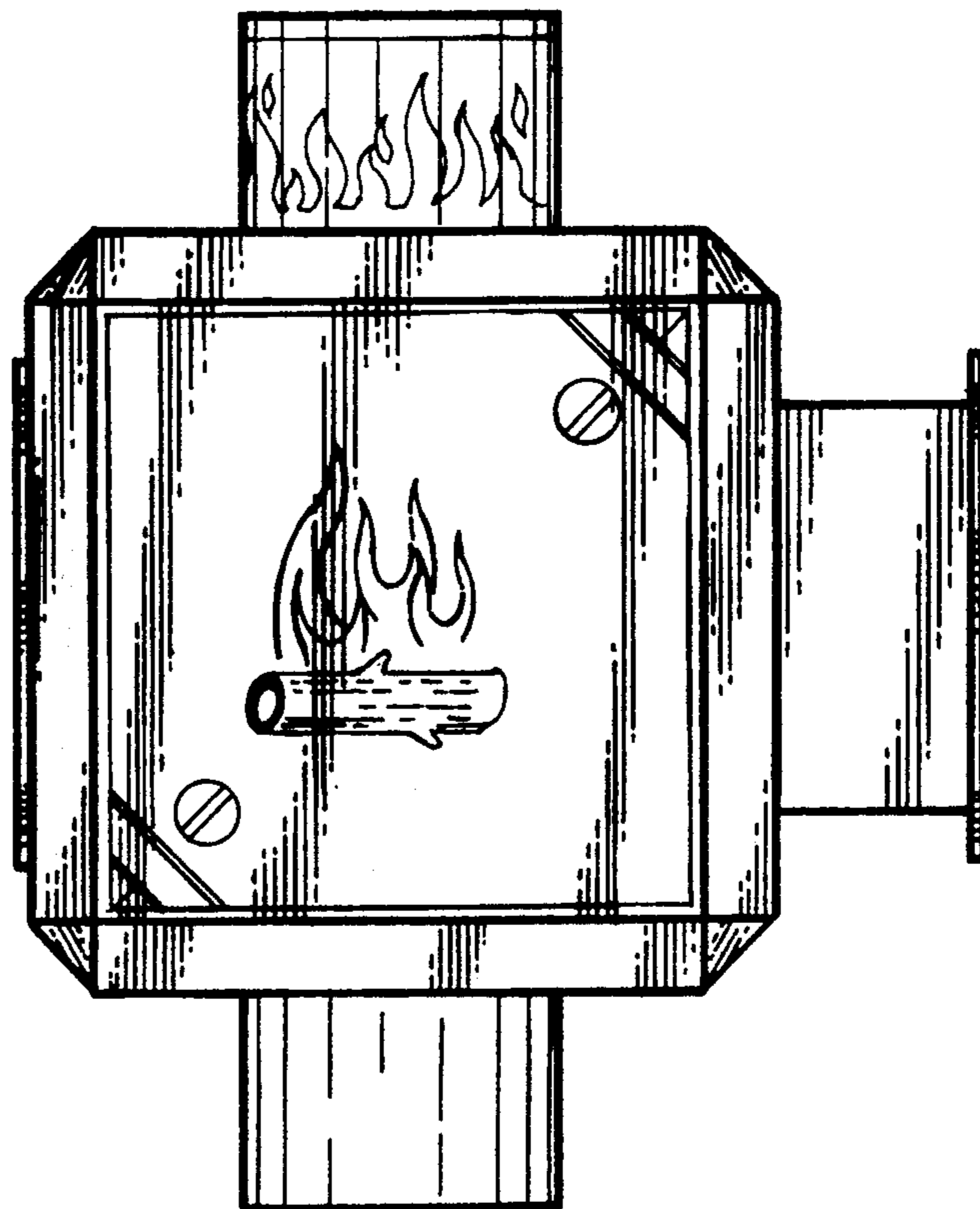


FIG. 5

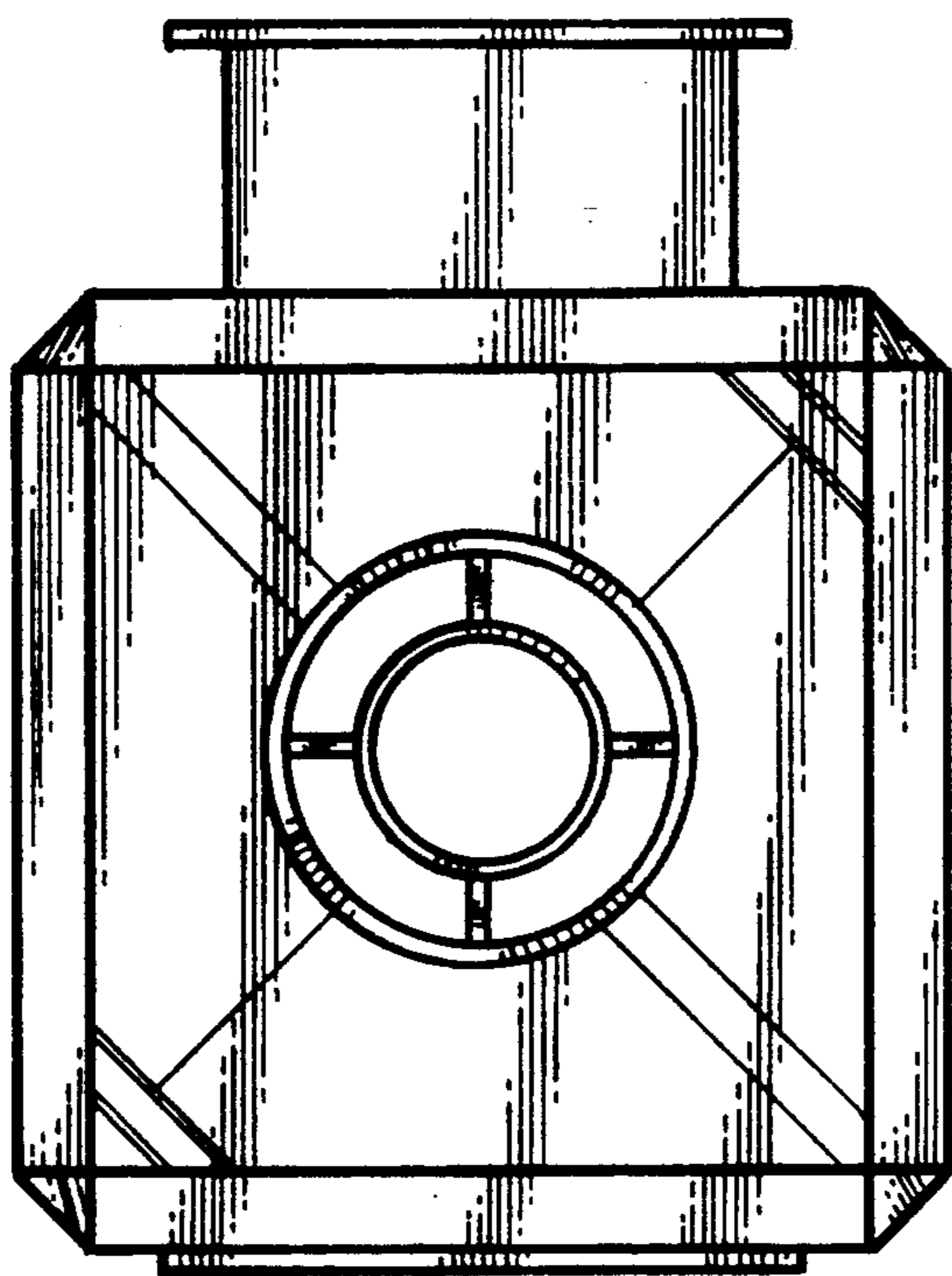


FIG. 6

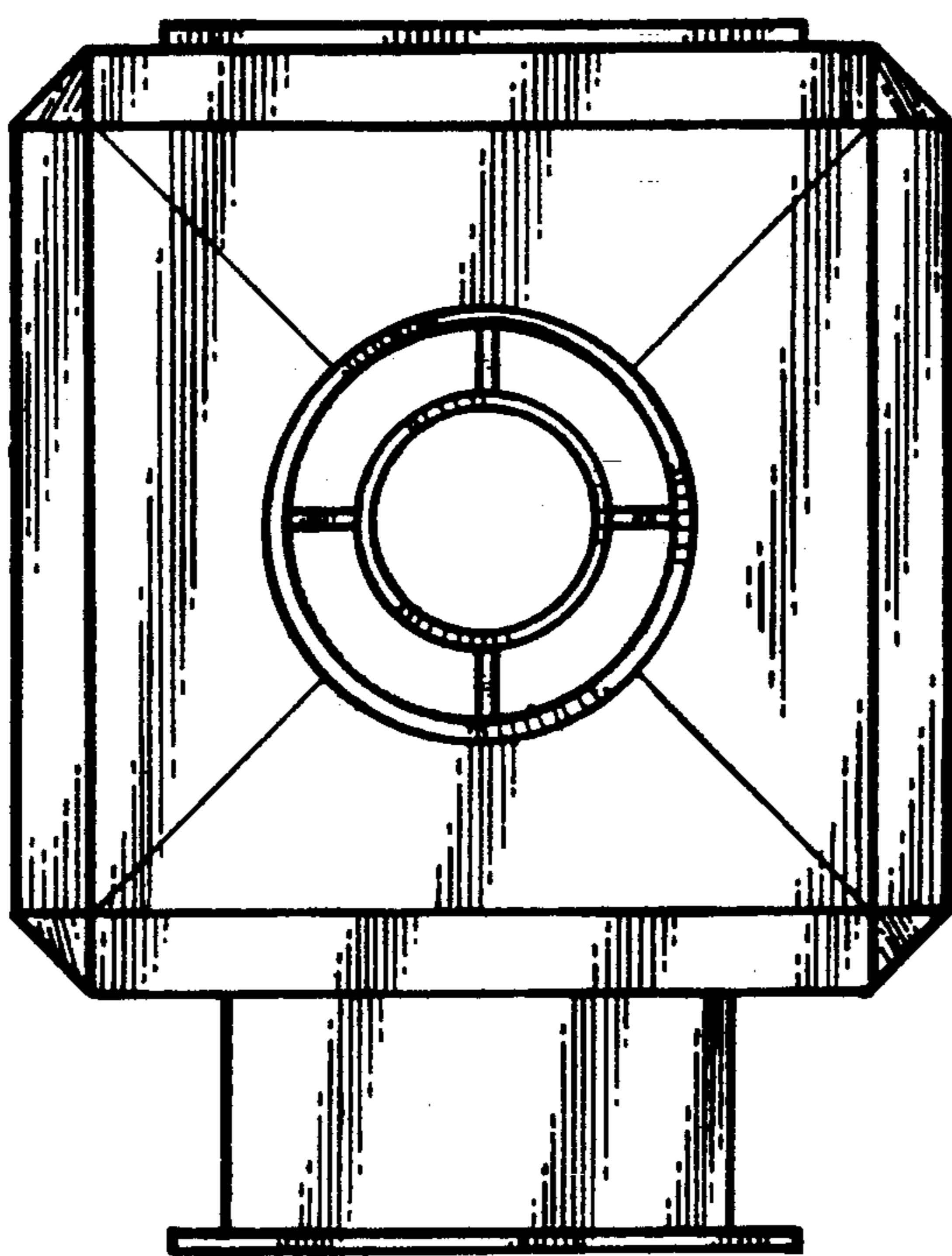


FIG. 7