



US00D330073S

# United States Patent [19]

[11] Patent Number: **Des. 330,073**

Valls

[45] Date of Patent: **\*\* Oct. 6, 1992**

[54] **GASKET**

[75] Inventor: **Jose E. Valls, Ponce, P.R.**

[73] Assignee: **Vassallo Research & Development Corp., Coto Laurel, P.R.**

[\*\*] Term: **14 Years**

[21] Appl. No.: **753,623**

[22] Filed: **Aug. 30, 1991**

D. 285,109 8/1986 Jornhagen ..... D23/269

D. 285,247 8/1986 Jornhagen ..... D23/269

D. 289,078 3/1987 Vassallo et al. .... D23/269

4,579,354 4/1986 Vassallo et al. .... 277/207 A

4,625,383 12/1986 Vassallo et al. .... 277/207 A X

4,637,618 1/1987 Valls ..... 277/207 A X

4,818,209 4/1989 Petersson et al. .... 277/207 A X

4,834,398 5/1989 Guzowski et al. .... 277/207 A

*Primary Examiner*—James R. Largen  
*Attorney, Agent, or Firm*—J. Rodman Steele, Jr.

### Related U.S. Application Data

[60] Division of Ser. No. 574,543, Aug. 28, 1990, abandoned, which is a continuation of Ser. No. 326,277, Mar. 21, 1989, abandoned.

[52] U.S. Cl. .... **D23/269**

[58] Field of Search ..... **D23/269; 277/207 A**

### [57] CLAIM

The ornamental design for a gasket, as shown and described.

### DESCRIPTION

FIG. 1 is a top perspective view of a gasket showing my new design;

FIG. 2 is an enlarged cross sectional view taken on line 2—2 of FIG. 1;

FIG. 3 is a top plan view thereof;

FIG. 4 is a bottom plan view thereof; and,

FIG. 5 is a side elevational view thereof, the other sides being the same as the side shown.

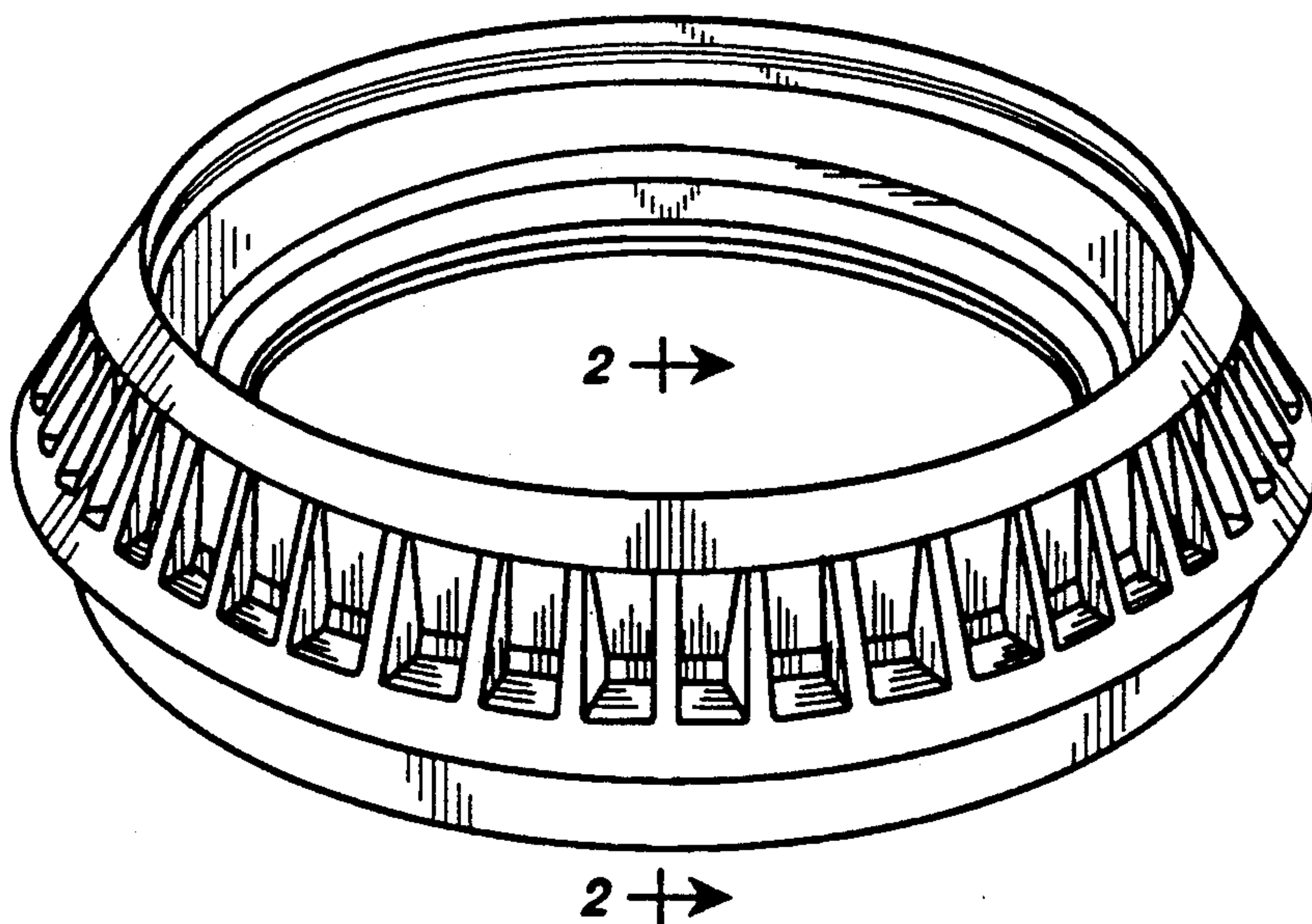
### [56] References Cited

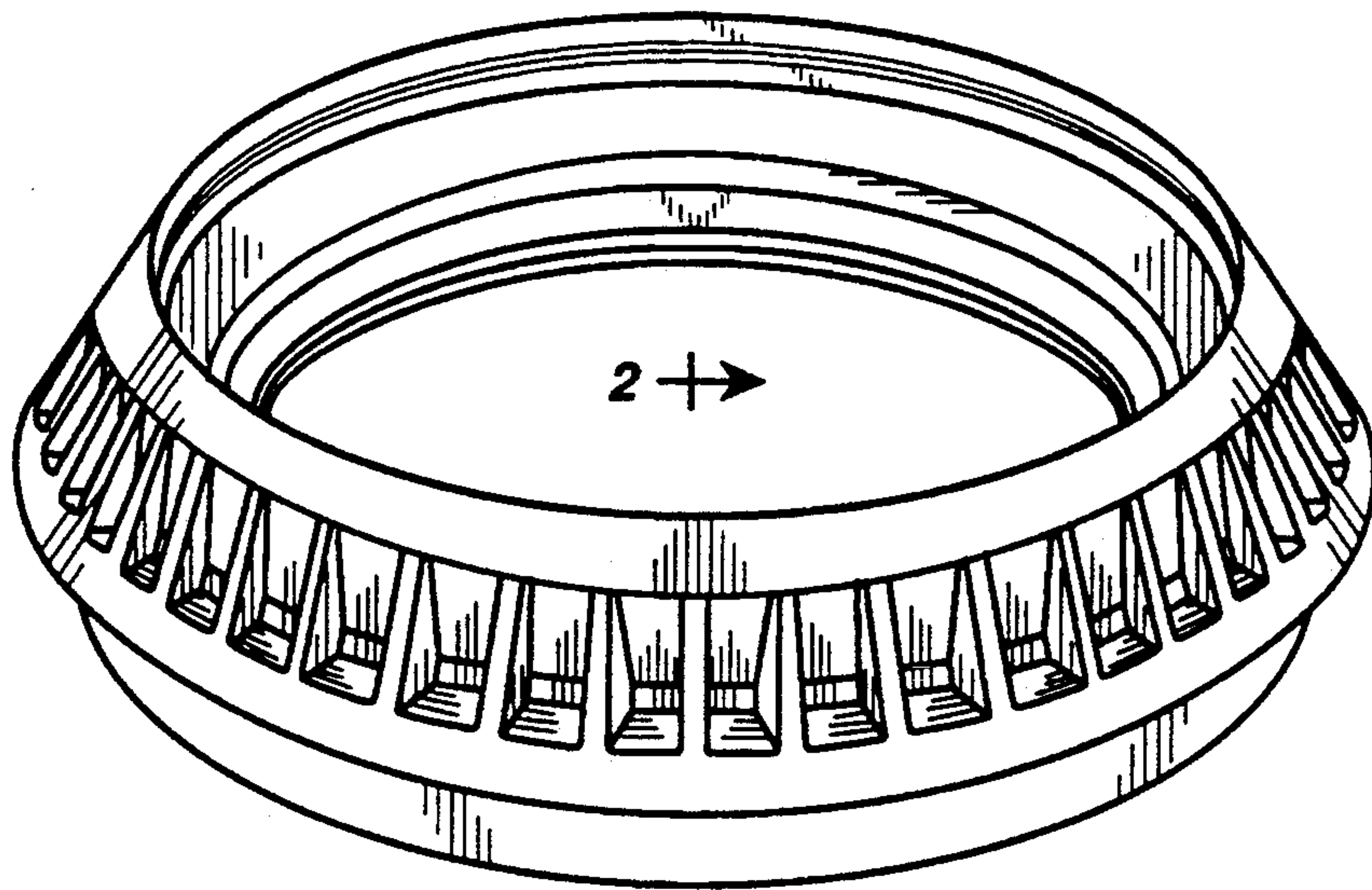
#### U.S. PATENT DOCUMENTS

D. 244,533 5/1977 Eidelberg et al. .... D23/269

D. 256,046 7/1980 Perrin ..... D23/269

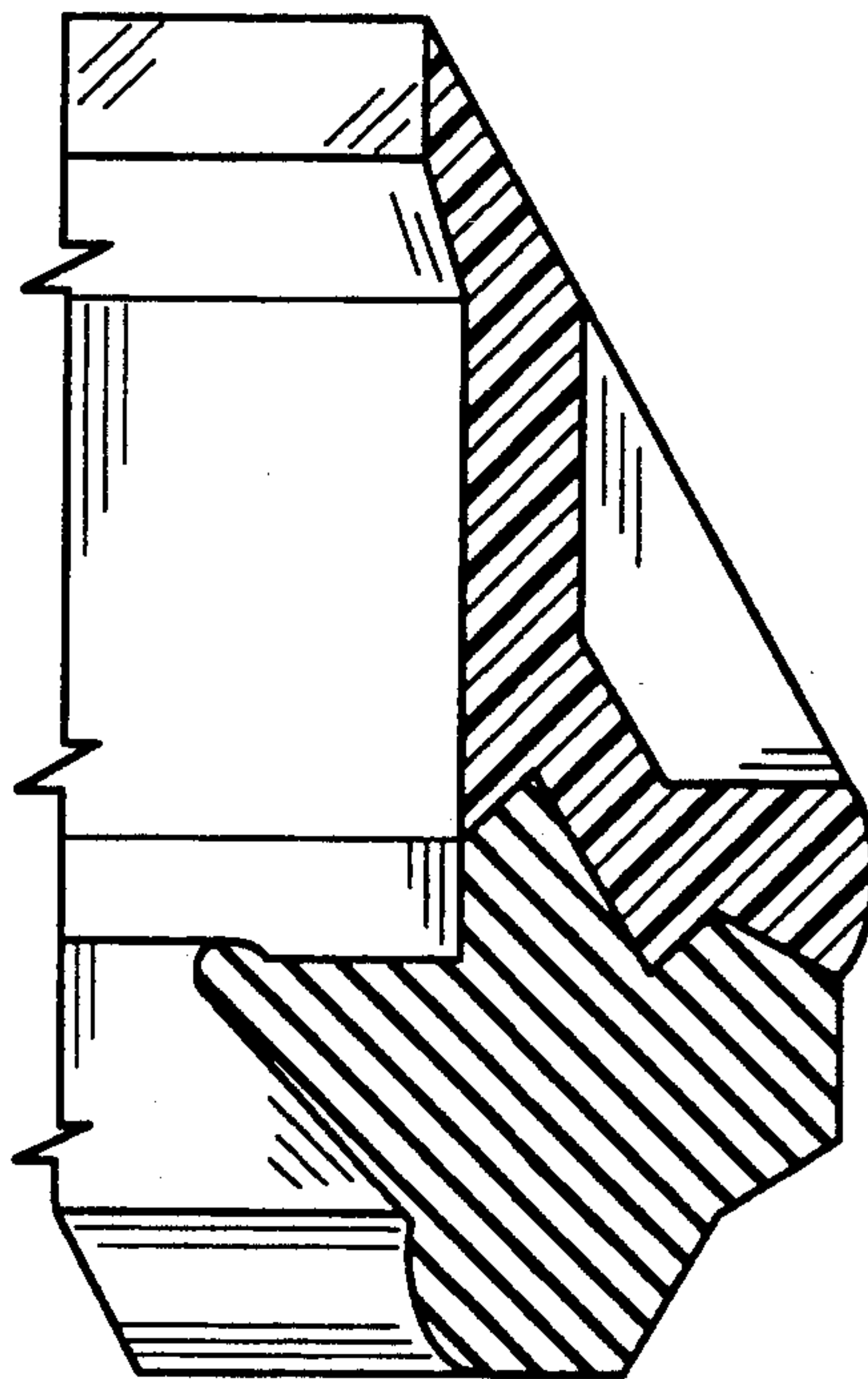
D. 281,525 11/1985 Gilbert ..... D23/269



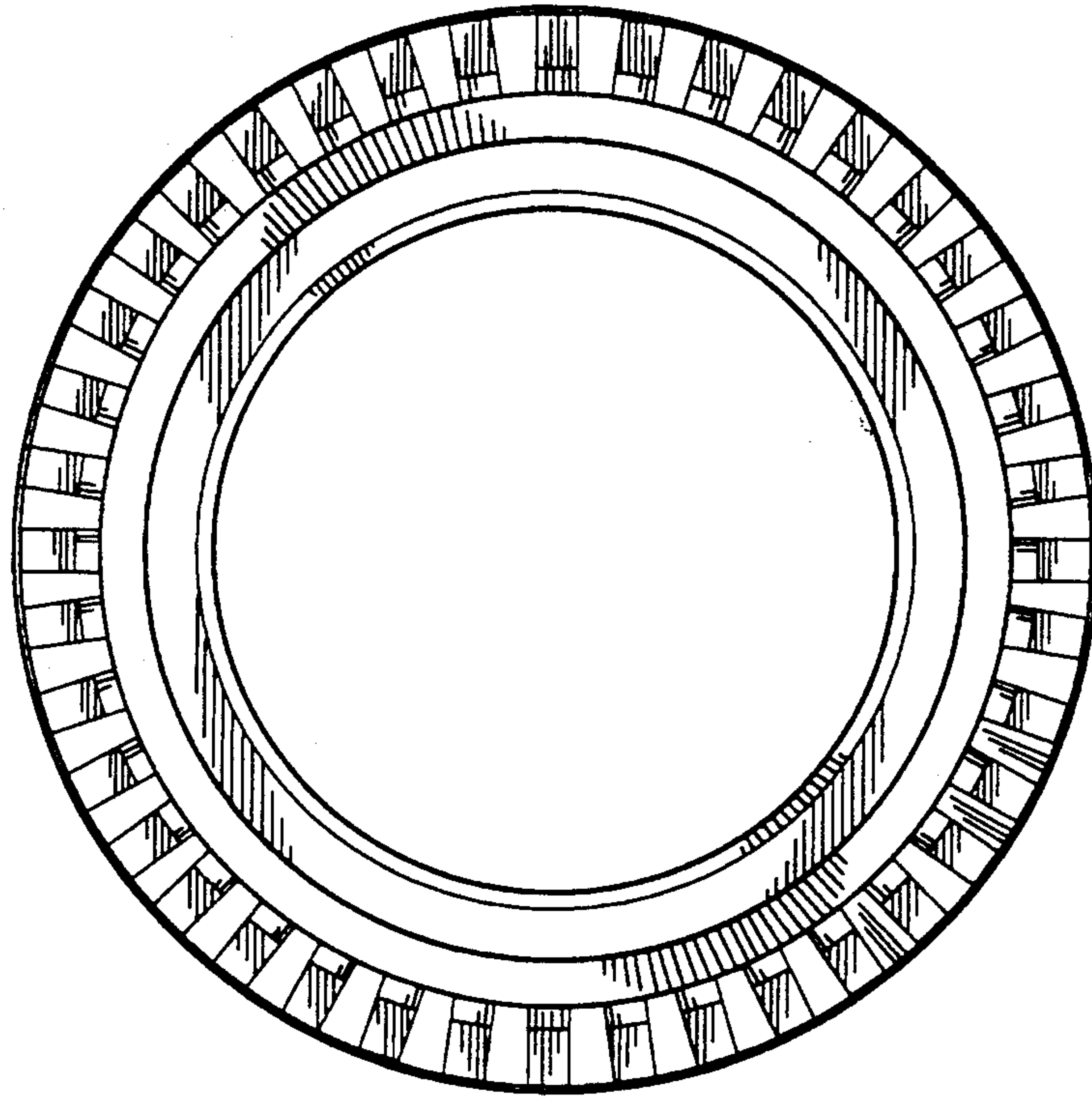


2 →

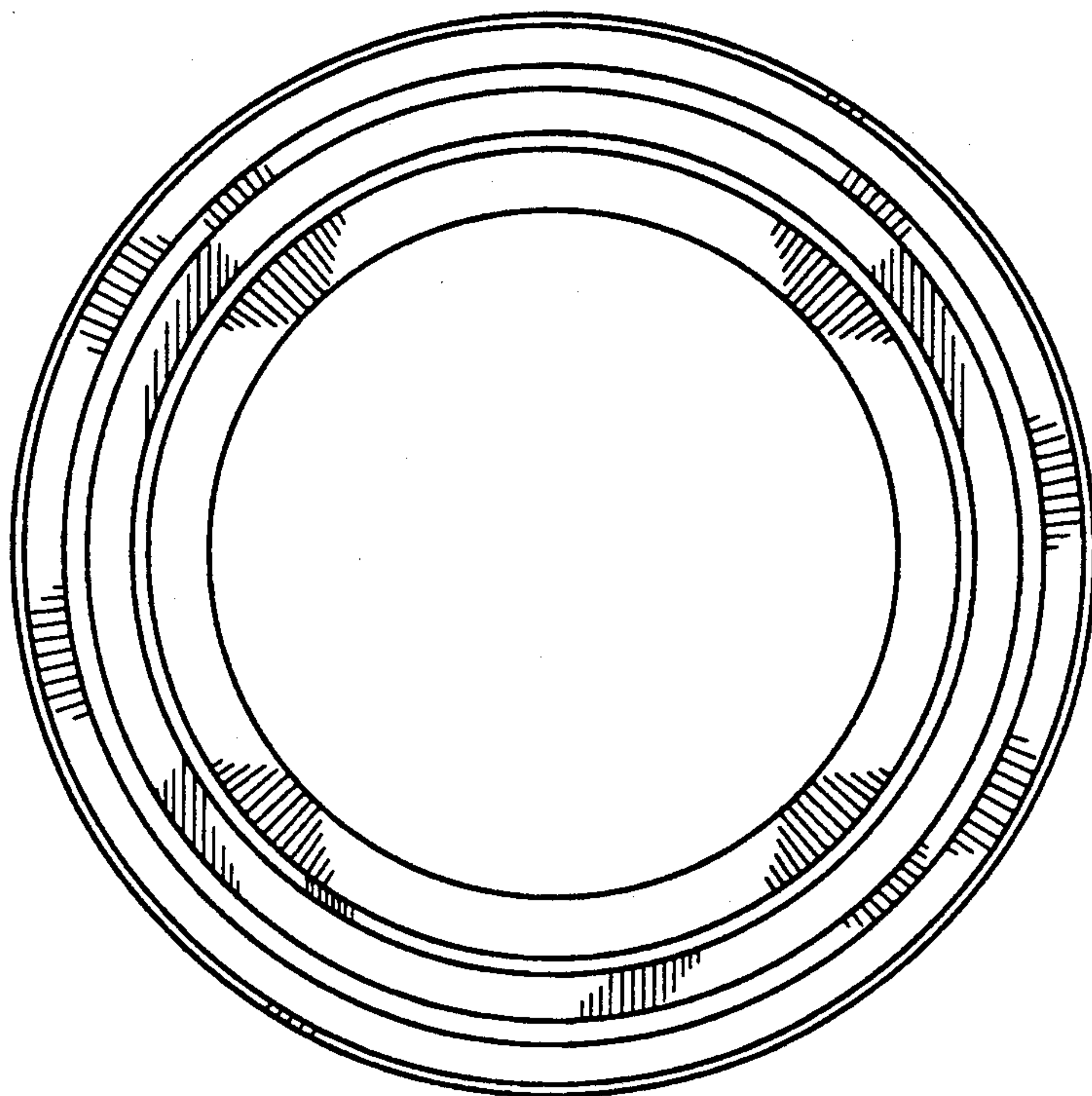
**Fig. 1**



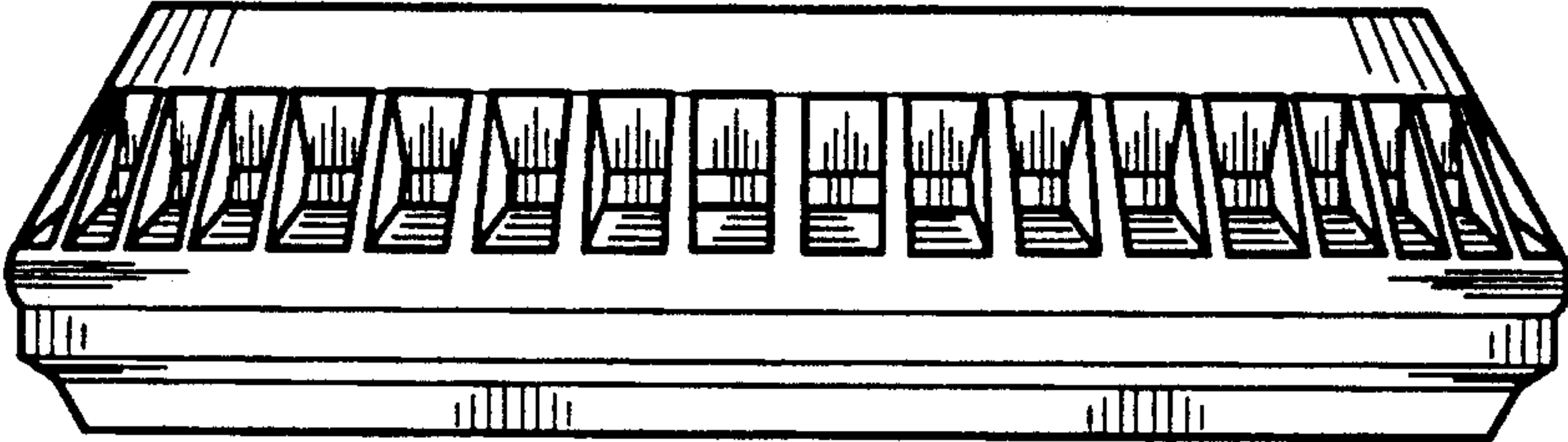
**Fig. 2**



**Fig. 3**



**Fig. 4**



**Fig. 5**