



US00D330071S

# United States Patent [19]

[11] Patent Number: **Des. 330,071**

Zerlia

[45] Date of Patent: **\*\* Oct. 6, 1992**

[54] FAUCET

[75] Inventor: **Renato Zerlia, Borgomanero, Italy**

[73] Assignee: **Italiana Rubinetterie Pagliarini S.R.L., Novara, Italy**

[\*\*] Term: **14 Years**

[21] Appl. No.: **245,195**

[22] Filed: **Sep. 16, 1988**

[30] **Foreign Application Priority Data**

Mar. 18, 1988 [IT] Italy ..... 52992-B/88

[52] U.S. Cl. .... **D23/241**

[58] Field of Search ..... D23/238-243,  
D23/250-257; D8/300, 307-312; 4/191, 192;  
137/407, 801

[56] **References Cited**

**U.S. PATENT DOCUMENTS**

D. 294,631 3/1988 Bourbon ..... D23/241

D. 304,225 10/1989 Lathrop ..... D23/257  
D. 304,609 11/1989 Lathrop ..... D23/238  
3,410,487 11/1968 Hyde ..... 137/625.41 X  
3,726,318 4/1973 Hyde ..... 137/801 X

*Primary Examiner*—James R. Largen  
*Attorney, Agent, or Firm*—Sughrue, Mion, Zinn,  
Macpeak & Seas

[57] **CLAIM**

The ornamental design for faucet, as shown.

**DESCRIPTION**

FIG. 1 is a right side elevational view of a faucet showing my new design;  
FIG. 2 is a top plan view thereof;  
FIG. 3 is a front elevational view thereof;  
FIG. 4 is bottom plan view thereof;  
FIG. 5 is a left side elevational view thereof;  
FIG. 6 is a rear elevational view thereof; and,  
FIG. 7 is a perspective view taken from the top, front and right side thereof.

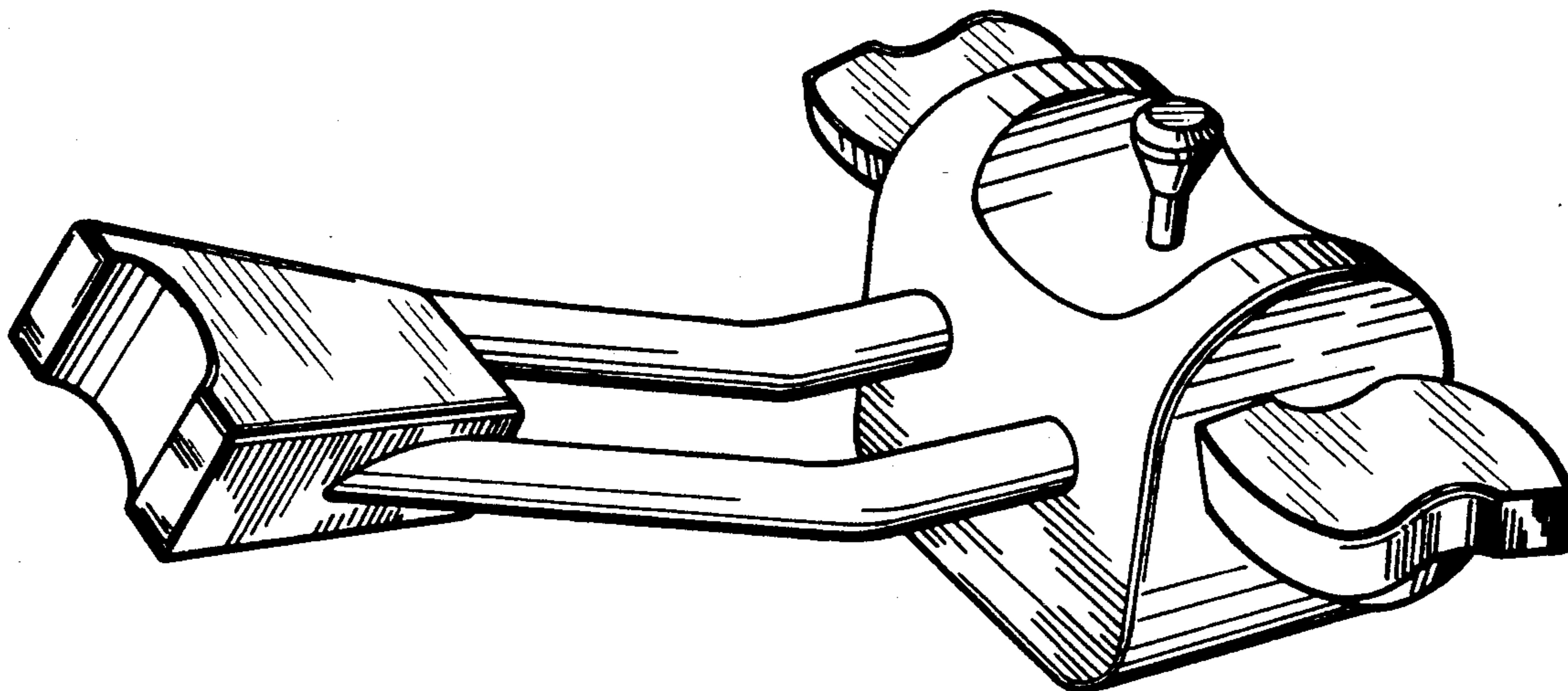


FIG. 1

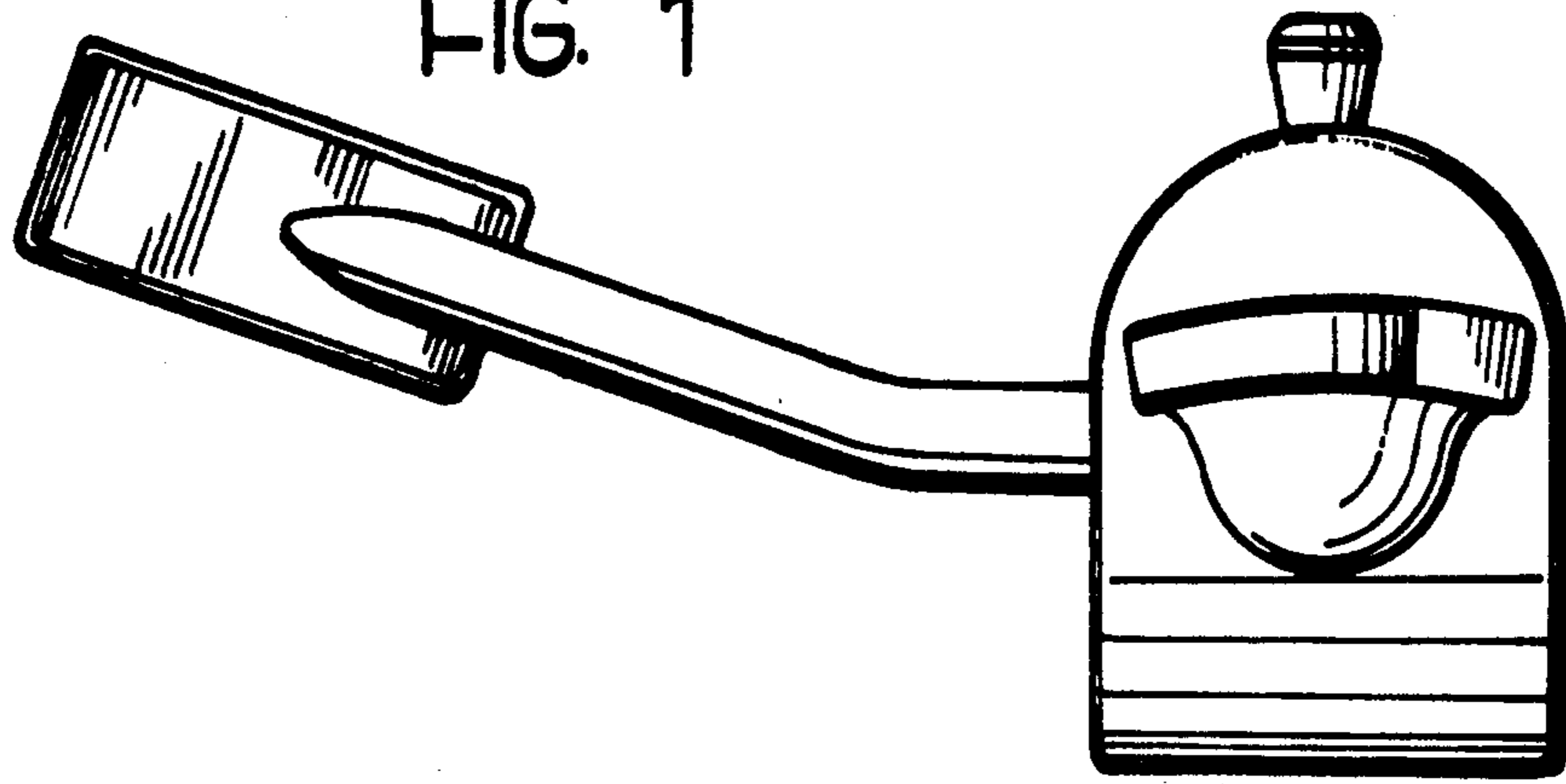


FIG. 2

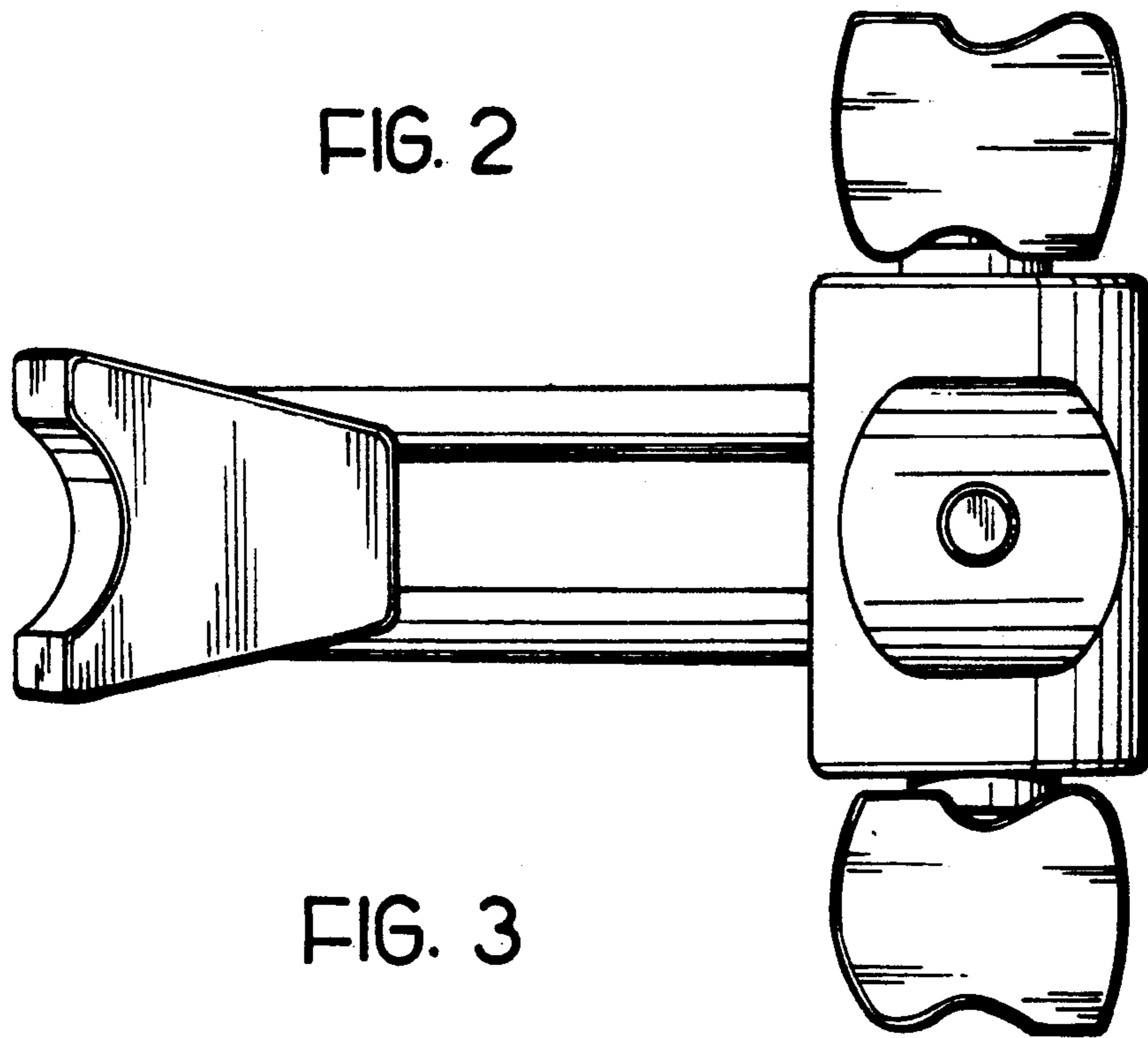
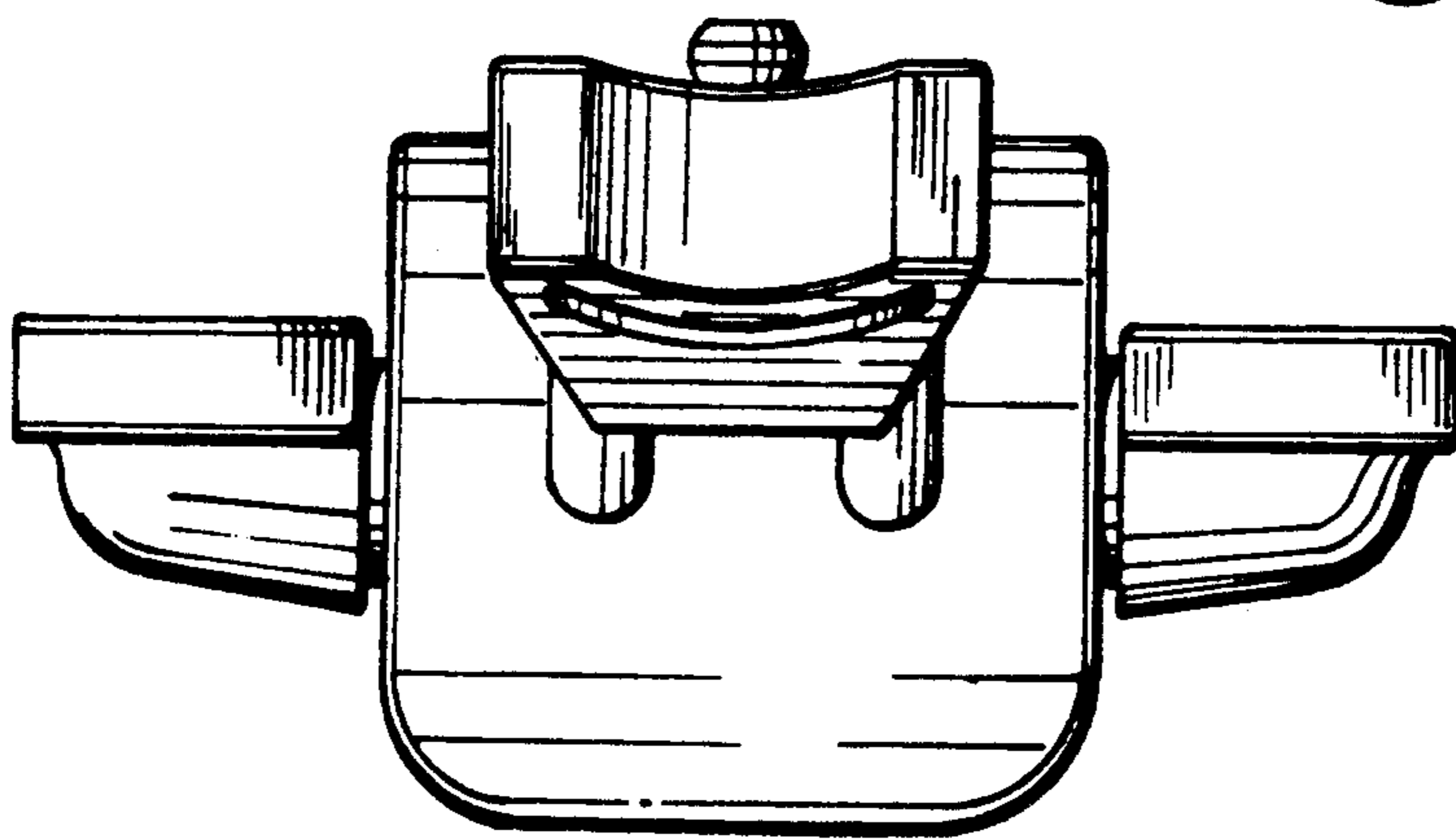


FIG. 3



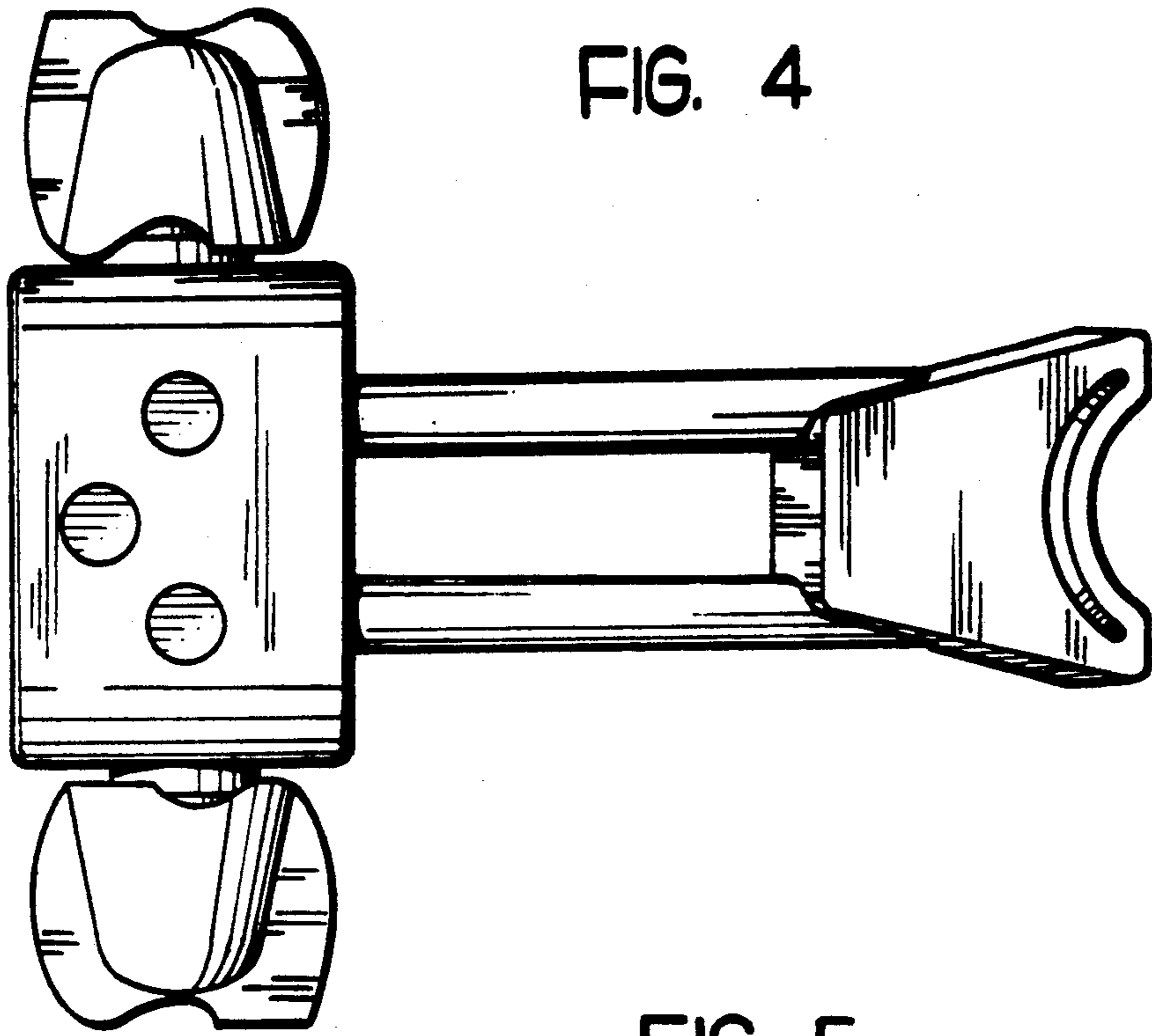


FIG. 4

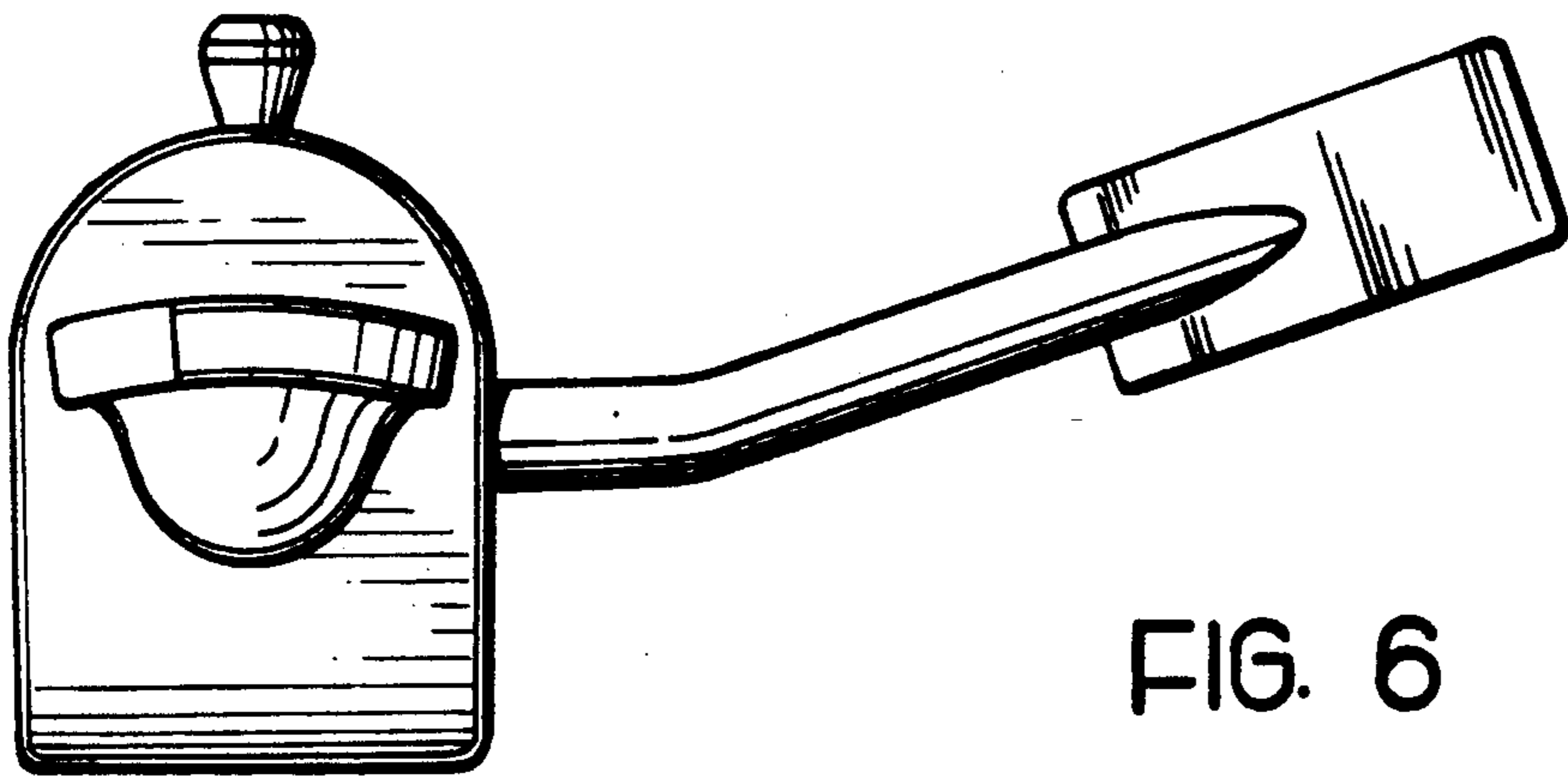


FIG. 5

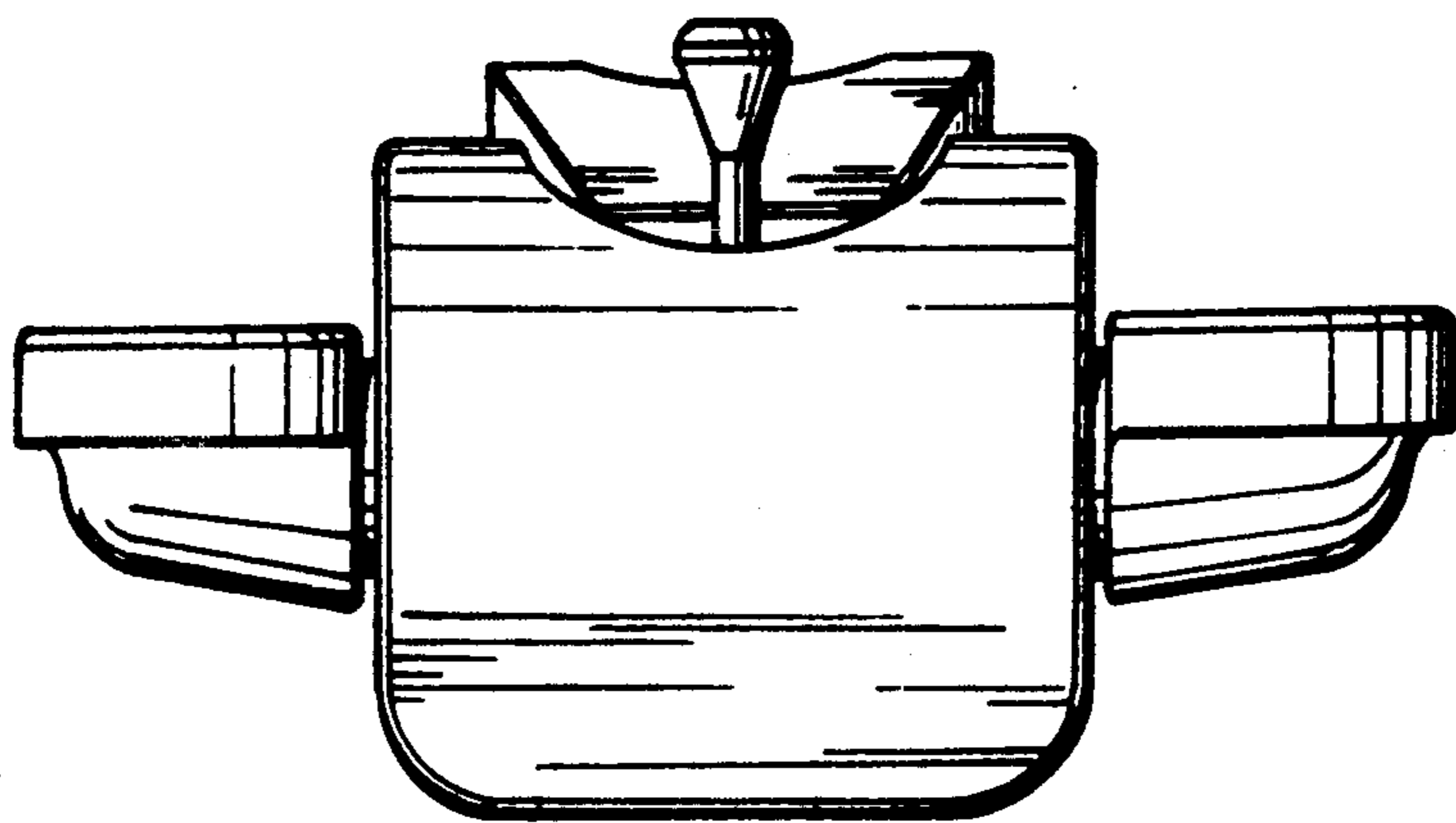


FIG. 6

FIG. 7

