



US00D330070S

United States Patent [19] Chretien

[11] Patent Number: **Des. 330,070**

[45] Date of Patent: **** Oct. 6, 1992**

[54] FAUCET

[75] Inventor: **Philippe Chretien, Dietlikon, Switzerland**

[73] Assignee: **KWC AG, Unterkulm, Switzerland**

[**] Term: **14 Years**

[21] Appl. No.: **552,215**

[22] Filed: **Jul. 13, 1990**

[30] **Foreign Application Priority Data**

Jan. 16, 1990 [XH] Hague DM/015613

[52] U.S. Cl. **D23/238**

[58] Field of Search D23/238-243,
D23/255-257; 4/191, 192; 137/801

[56] **References Cited**

U.S. PATENT DOCUMENTS

- D. 183,672 10/1958 Barkor D23/238
- D. 217,670 5/1970 Rowlands D23/238
- D. 220,101 3/1971 Brown et al. D23/238

- D. 227,762 7/1973 Arbon D23/238
- D. 282,197 1/1986 Hu D23/241
- D. 284,302 6/1986 Hammarstedt D23/241
- D. 292,607 11/1987 Wu D23/238
- D. 314,228 1/1991 Haug et al. D23/238
- 4,074,697 2/1978 Saether 137/801 X
- 4,262,699 4/1981 Fabian 137/801
- 4,827,538 5/1989 Heimann et al. 4/191 X

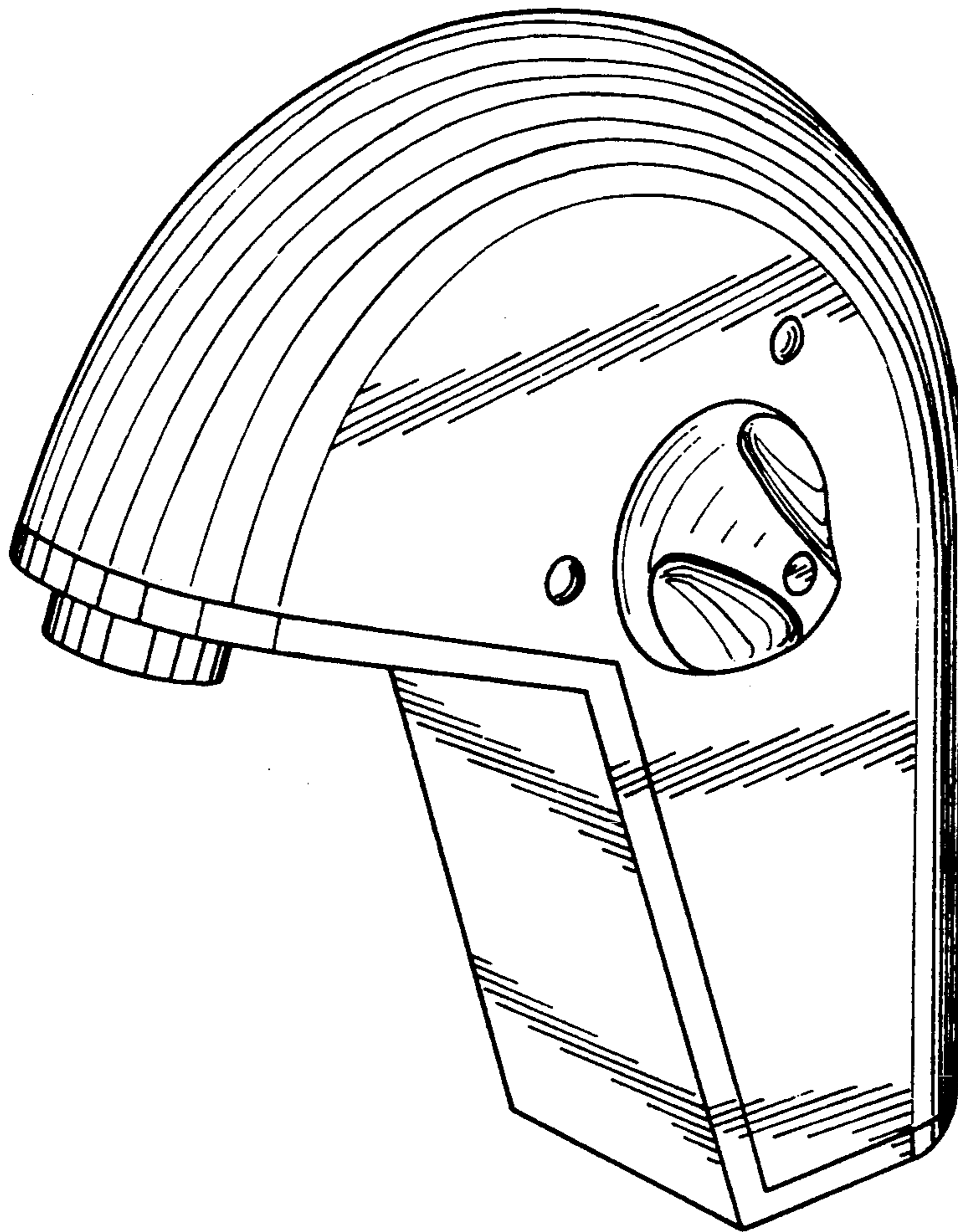
Primary Examiner—James R. Largen
Attorney, Agent, or Firm—Oblon, Spivak, McClelland,
Maier & Neustadt

[57] **CLAIM**

The ornamental design for faucet, as shown.

DESCRIPTION

FIG. 1 is a right side elevational view of faucet showing my new design;
FIG. 2 is a top plan view thereof;
FIG. 3 is a left side elevational view thereof;
FIG. 4 is a front elevational view thereof; and,
FIG. 5 is a perspective view taken from the top, front and right side thereof.



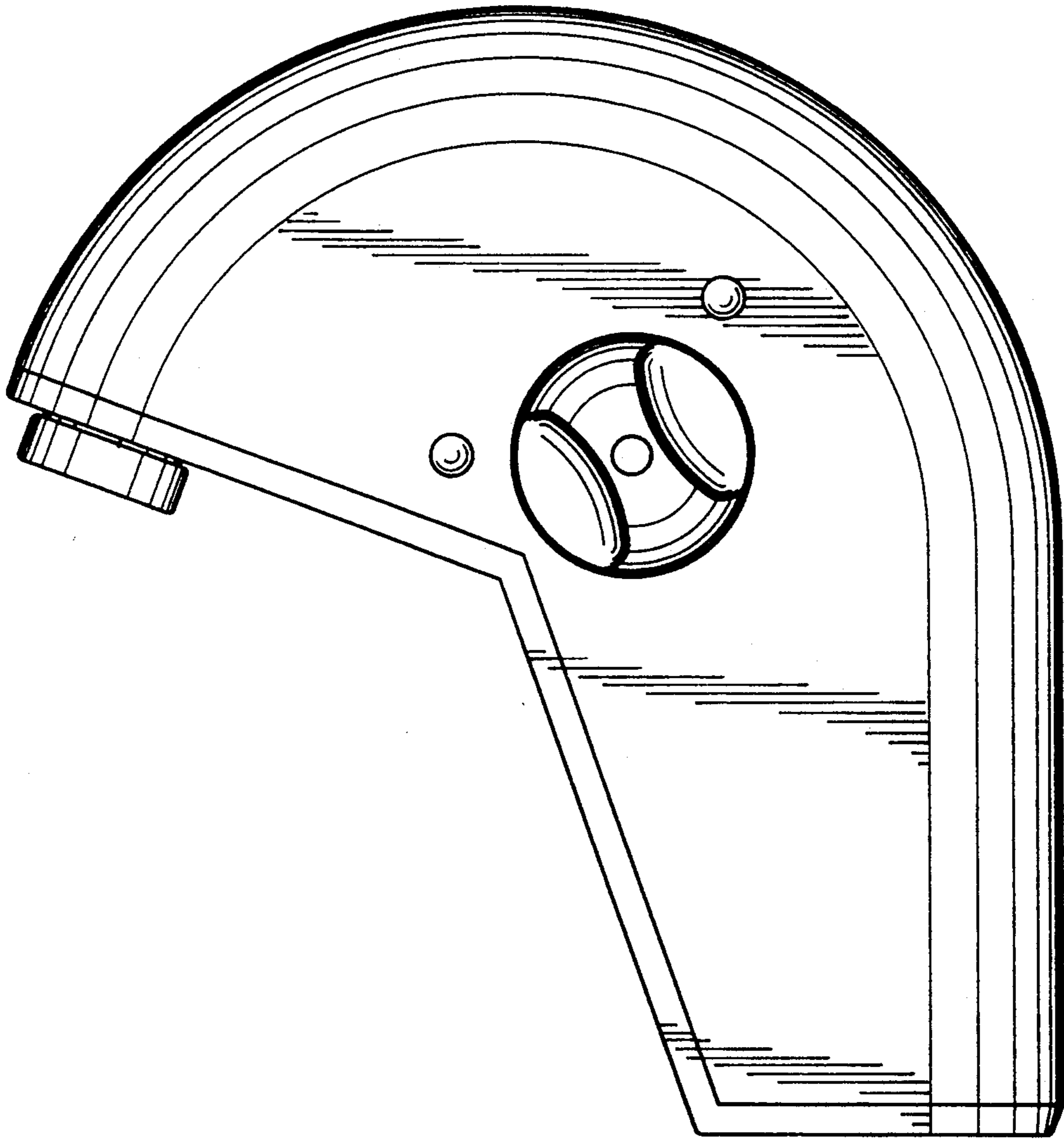


FIG.1

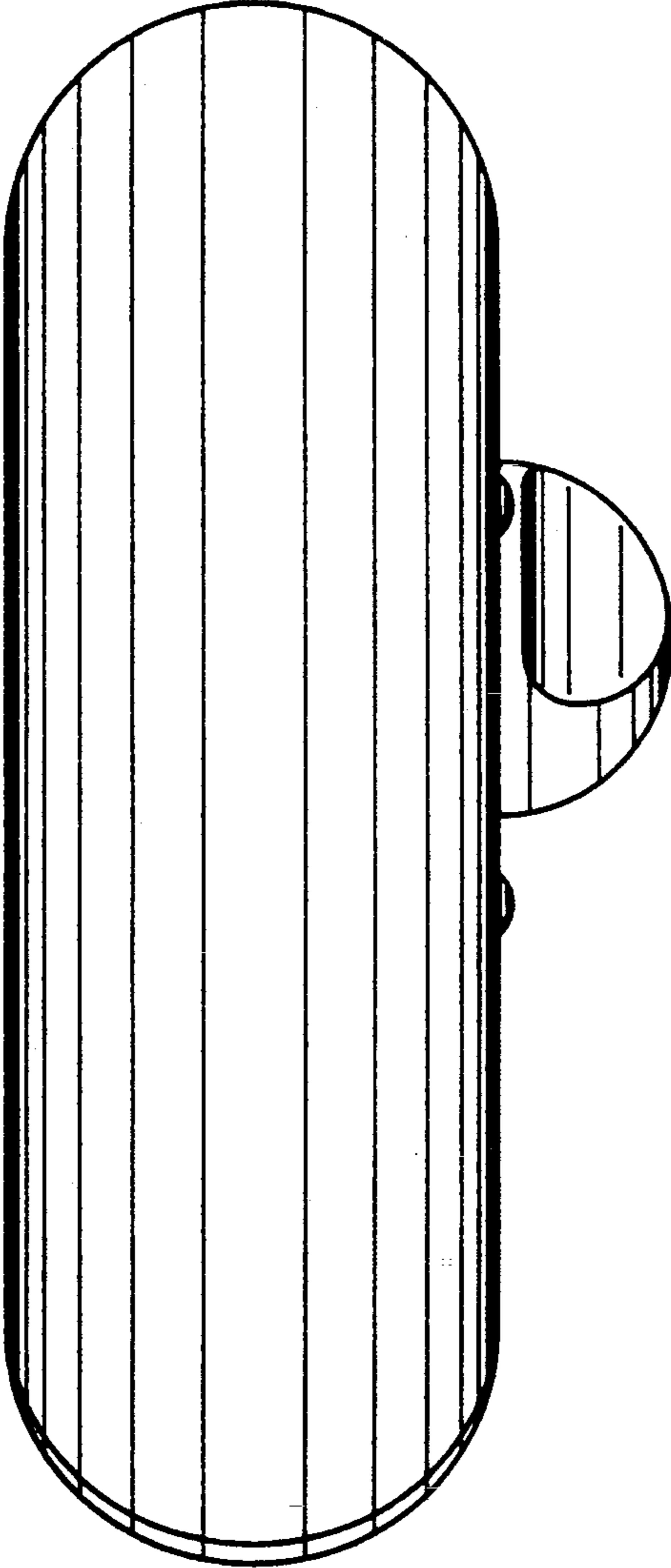


FIG. 2

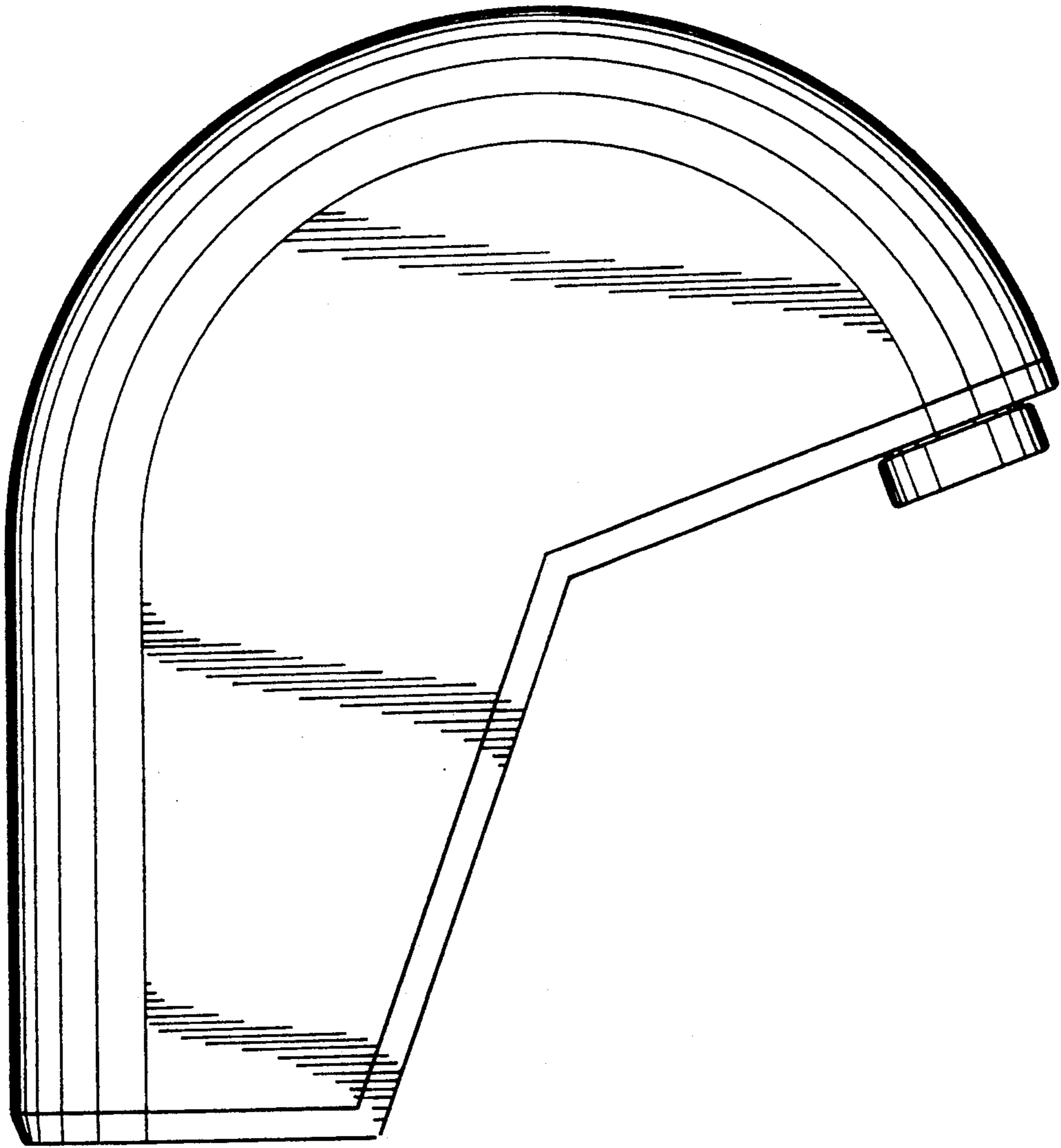


FIG.3

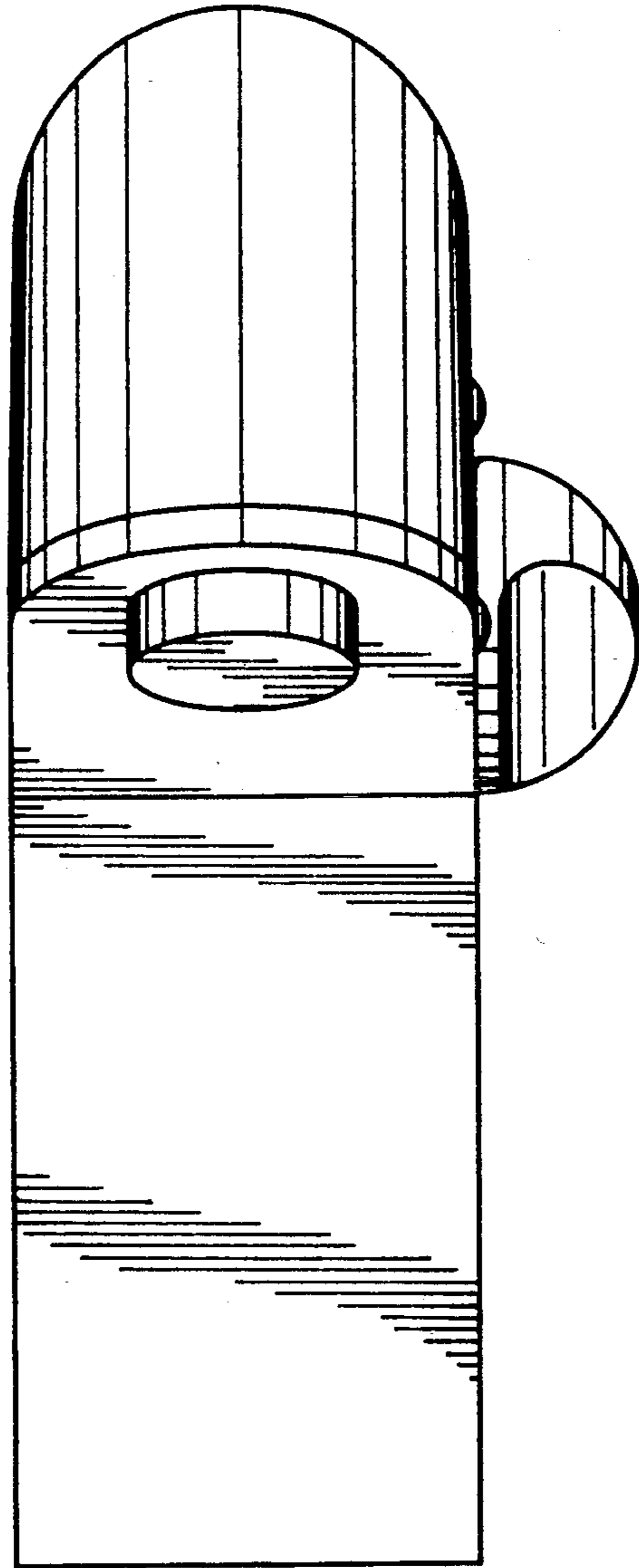


FIG. 4

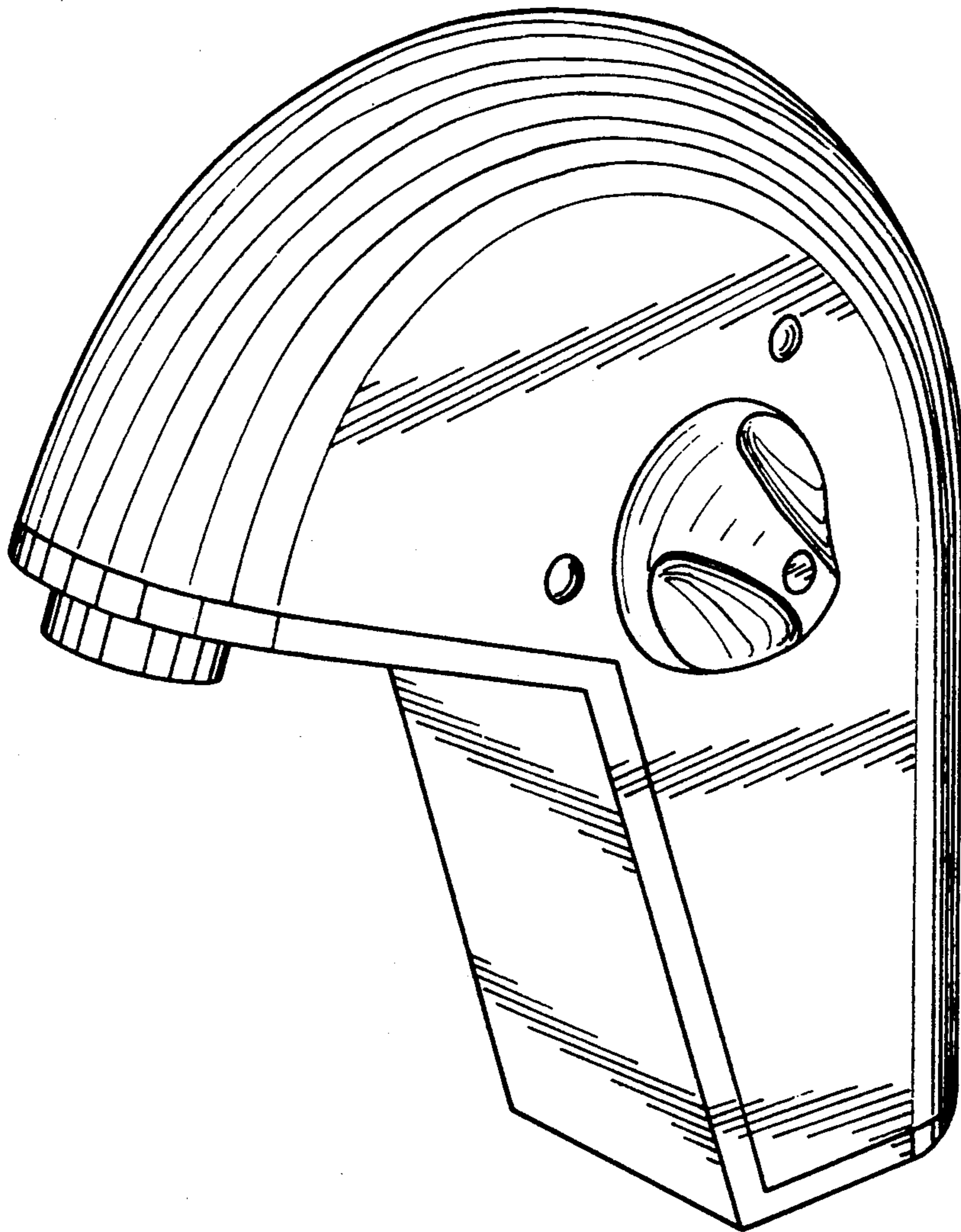


FIG. 5