



US00D330068S

United States Patent [19]

Haug et al.

[11] Patent Number: Des. 330,068

[45] Date of Patent: ** Oct. 6, 1992

[54] HAND HELD SHOWER

[75] Inventors: **Andreas Haug; Thomas Schoenherr**, both of Stuttgart, Fed. Rep. of Germany

[73] Assignee: **Hans Grohe GmbH & Co. KG**, Fed. Rep. of Germany

[**] Term: **14 Years**

[21] Appl. No.: **679,591**

[22] Filed: **Apr. 3, 1991**

[30] Foreign Application Priority Data

Mar. 6, 1991 [DE] Fed. Rep. of Germany 9101766

[52] U.S. Cl. **D23/223**

[58] Field of Search D23/213, 223-229; 4/191-192, 567-570, 599-603, 596, 615; 239/288.5, 310, 525, 556-559, 562-565, 586-588

[56] References Cited

U.S. PATENT DOCUMENTS

- D. 245,858 9/1977 Grube D23/223
- D. 267,582 1/1983 Mackay et al. D23/223
- D. 309,773 8/1990 Huen D23/223
- D. 317,348 6/1991 Geneve et al. D23/223
- D. 320,064 9/1991 Presman D23/223

OTHER PUBLICATIONS

- Mansgrohl Shower Products, pp. 13-14.
- Dornbracht, Edition Point, pp. 6-8.
- Cesana Spa, Water Pik, L'Idromassaggio A Portata Dimano.
- Water Pik, Modele Thalassa "Chromee".
- Ergo, Egro-jeunesse.
- Koh Tiki, pp. 7-8.
- Wico, Vogue, p. 8.
- Schulte, Mona, p. 4.
- Schulte, Luna, p. 4.

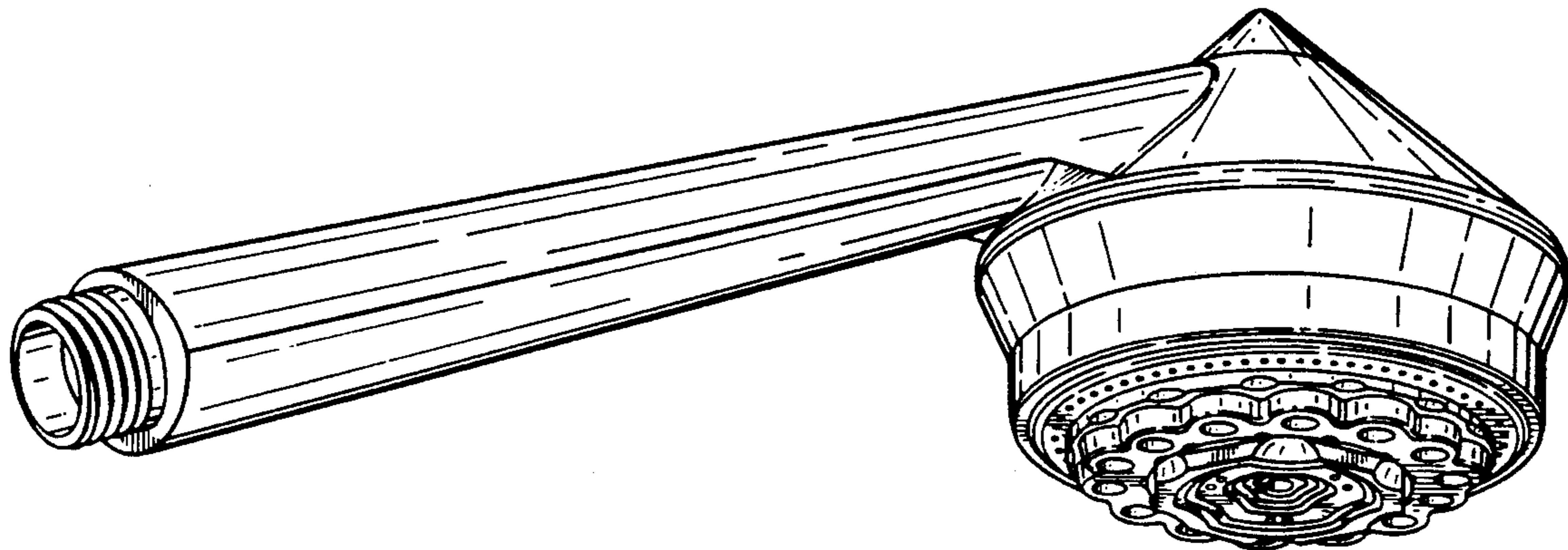
Primary Examiner—Susan J. Lucas
Assistant Examiner—M. H. Tung
Attorney, Agent, or Firm—Eckert Seamans Cherin & Mellott

[57] CLAIM

The ornamental design for a hand held shower, as shown and described.

DESCRIPTION

FIG. 1 is a side perspective view of a hand held shower showing our new design;
 FIG. 2 is a side elevational view thereof;
 FIG. 3 is a front elevational view thereof;
 FIG. 4 is a rear elevational view thereof;
 FIG. 5 is an opposite side elevational view thereof;
 FIG. 6 is a bottom plan view thereof; and,
 FIG. 7 is a top plan view thereof.



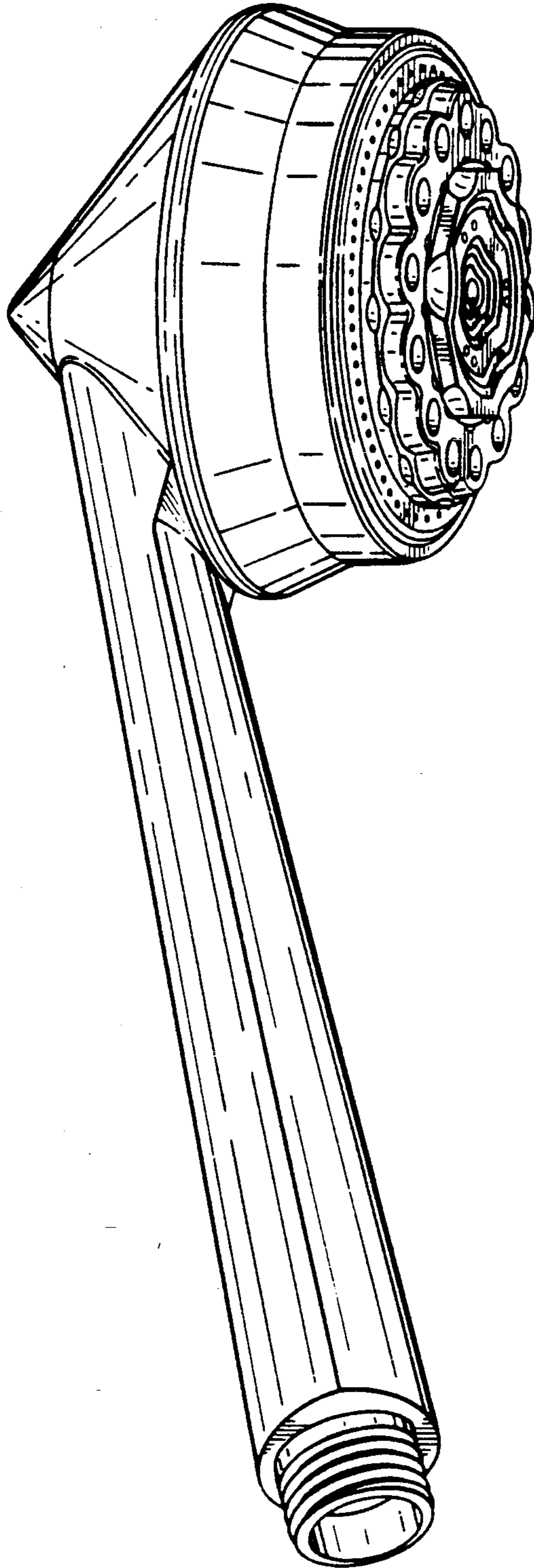


FIG. 1

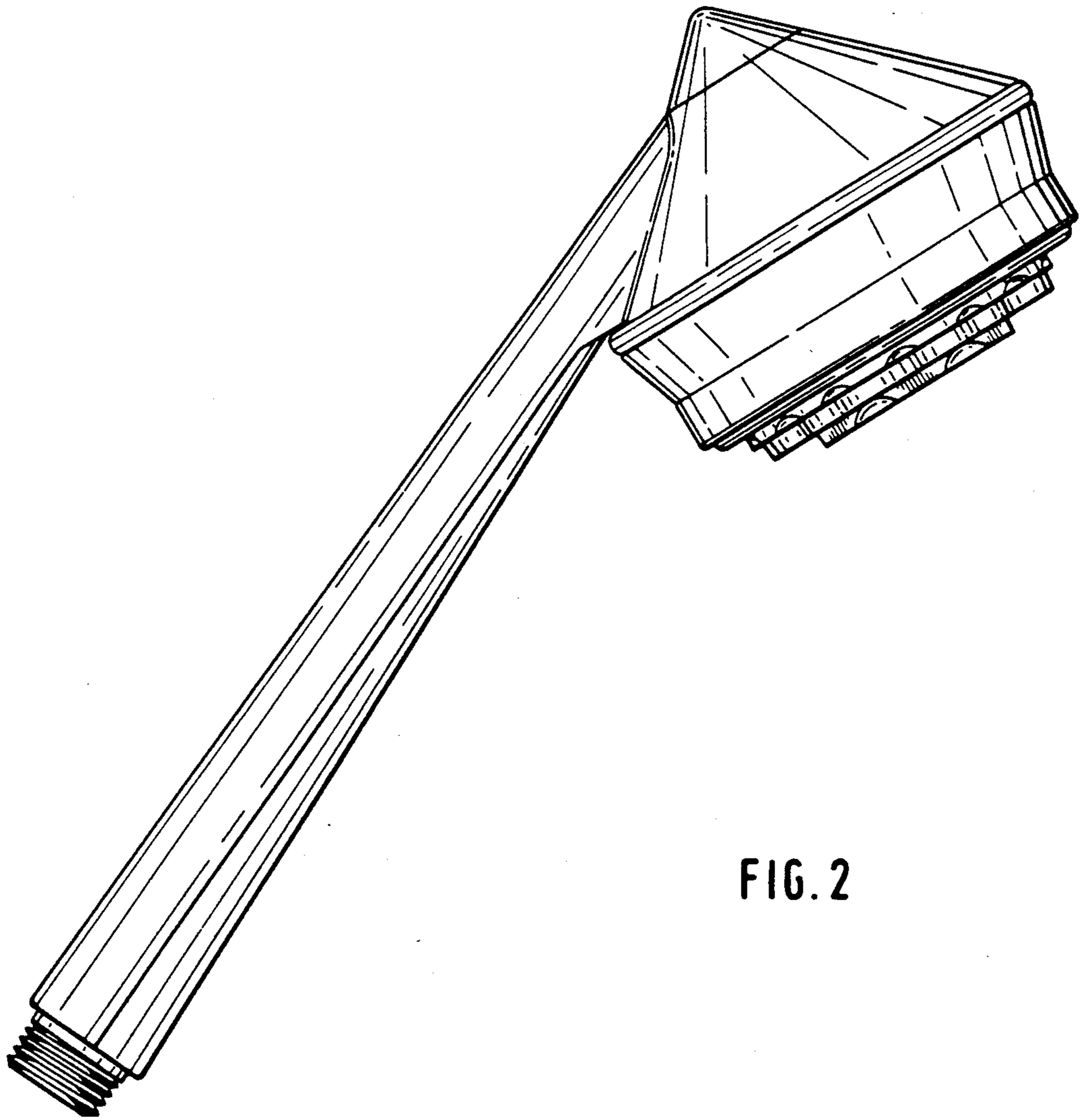


FIG. 2

FIG. 3

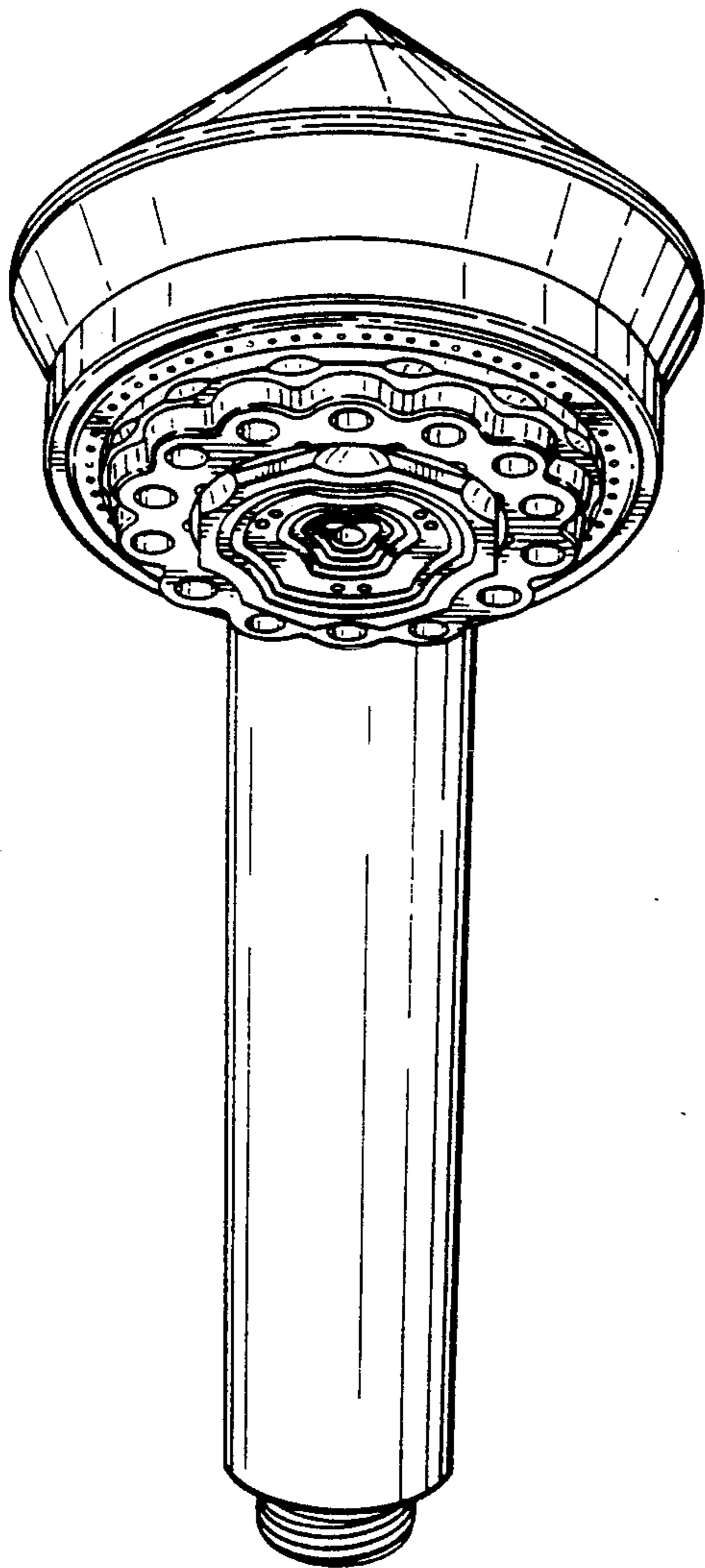
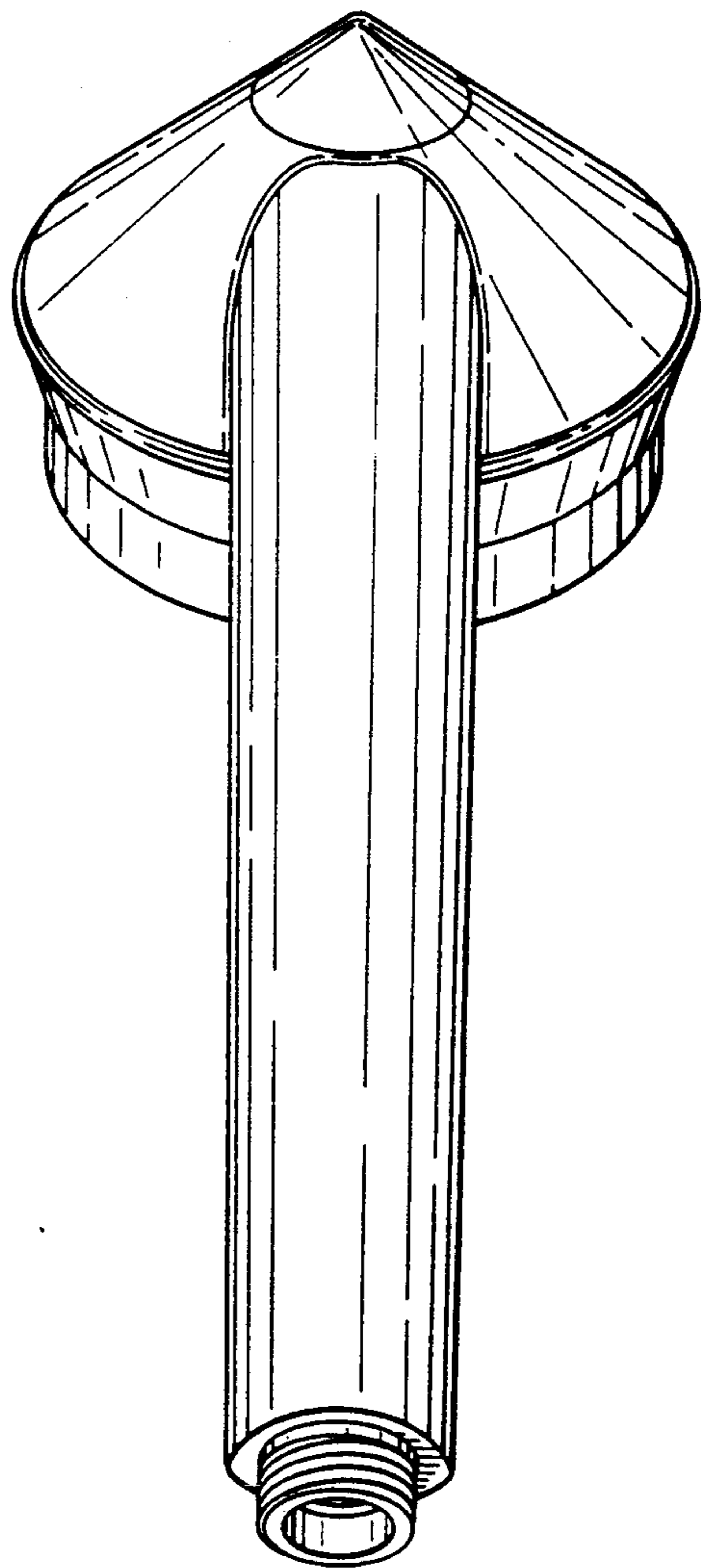


FIG. 4



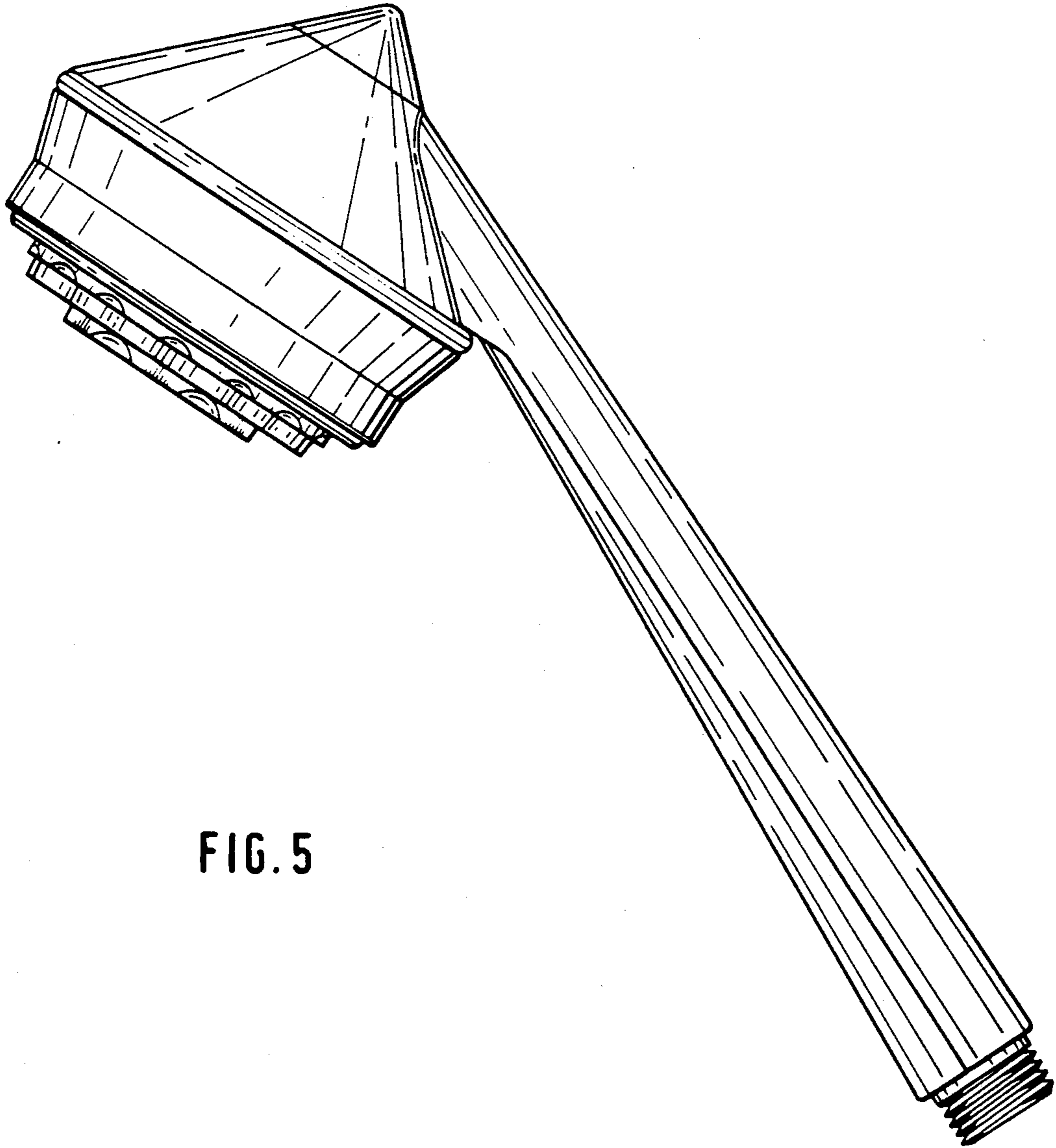


FIG. 5

FIG. 6

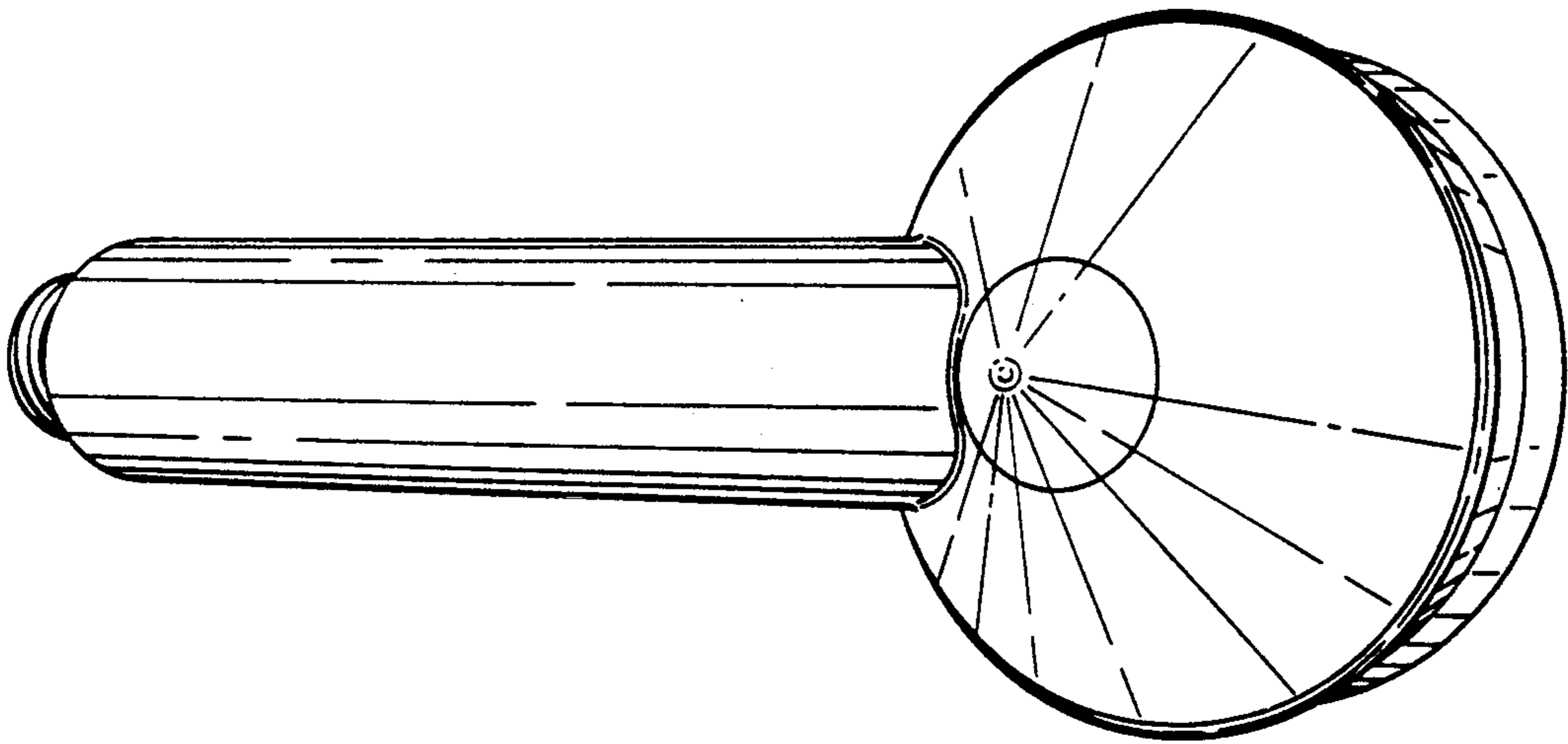
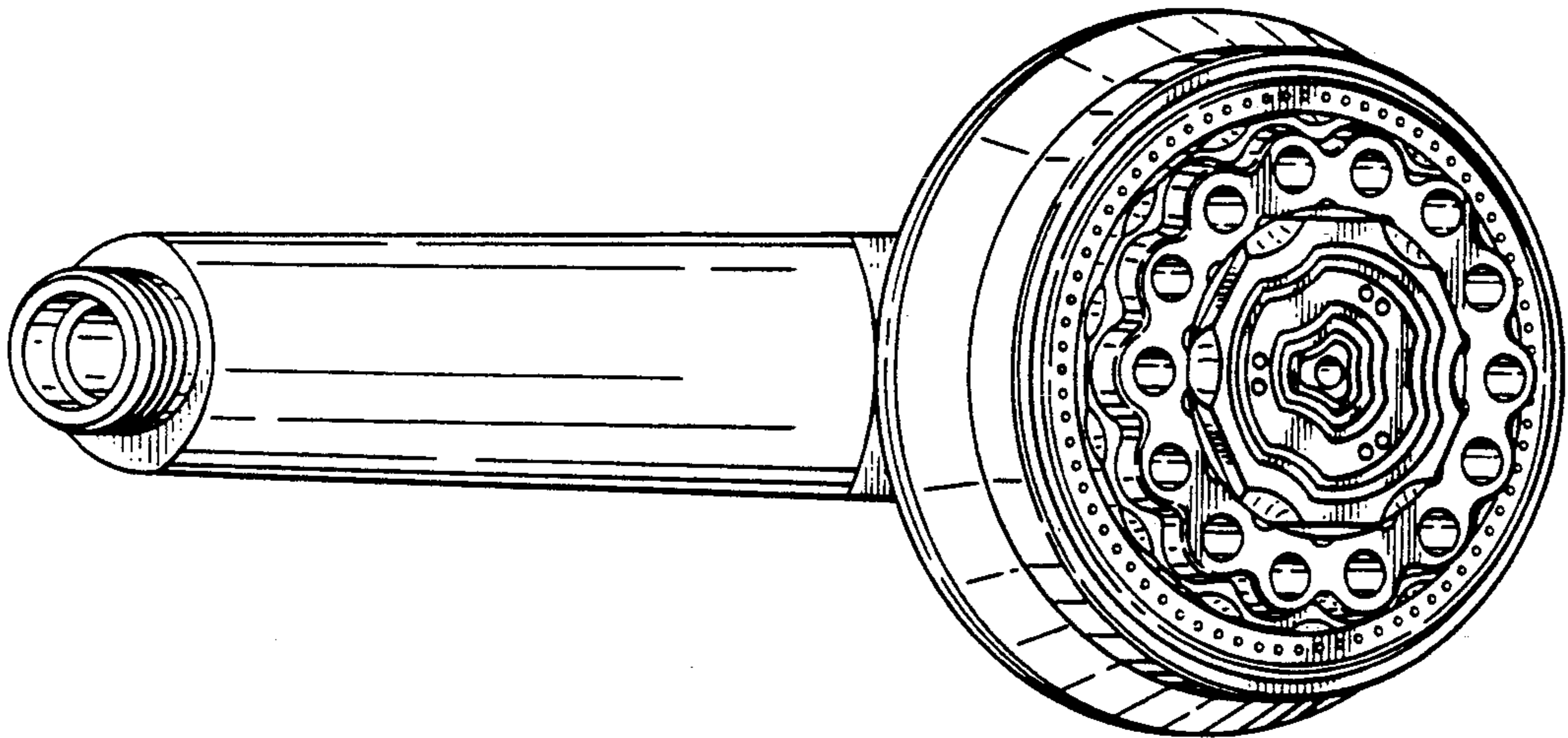


FIG. 7