



US00D330063S

United States Patent [19]

[11] Patent Number: **Des. 330,063**

Morrison

[45] Date of Patent: **** Oct. 6, 1992**

[54] **MINI-PISTOL CROSSBOW**

4,294,222	10/1981	Pelsue	124/35.1
4,716,880	1/1988	Adkins	124/35.1
4,742,812	5/1988	Goodman	124/25

[75] Inventor: **David E. Morrison, Palm Harbor, Fla.**

Primary Examiner—A. Hugo Word
Assistant Examiner—Doris V. Coles
Attorney, Agent, or Firm—Basile and Hanlon

[73] Assignee: **Saxon Arms, Inc., Tarpon Springs, Fla.**

[**] Term: **14 Years**

[57] **CLAIM**

[21] Appl. No.: **476,008**

The ornamental design for a mini-pistol crossbow, as shown and described.

[22] Filed: **Feb. 6, 1990**

DESCRIPTION

[52] U.S. Cl. **D22/107; D22/104**

[58] Field of Search **D22/107; 124/25, 27, 124/35.1, 44.5, 40**

FIG. 1 is a left side elevational view of a mini-pistol crossbow, showing my new design, the right side being a mirror image thereof;

[56] **References Cited**

U.S. PATENT DOCUMENTS

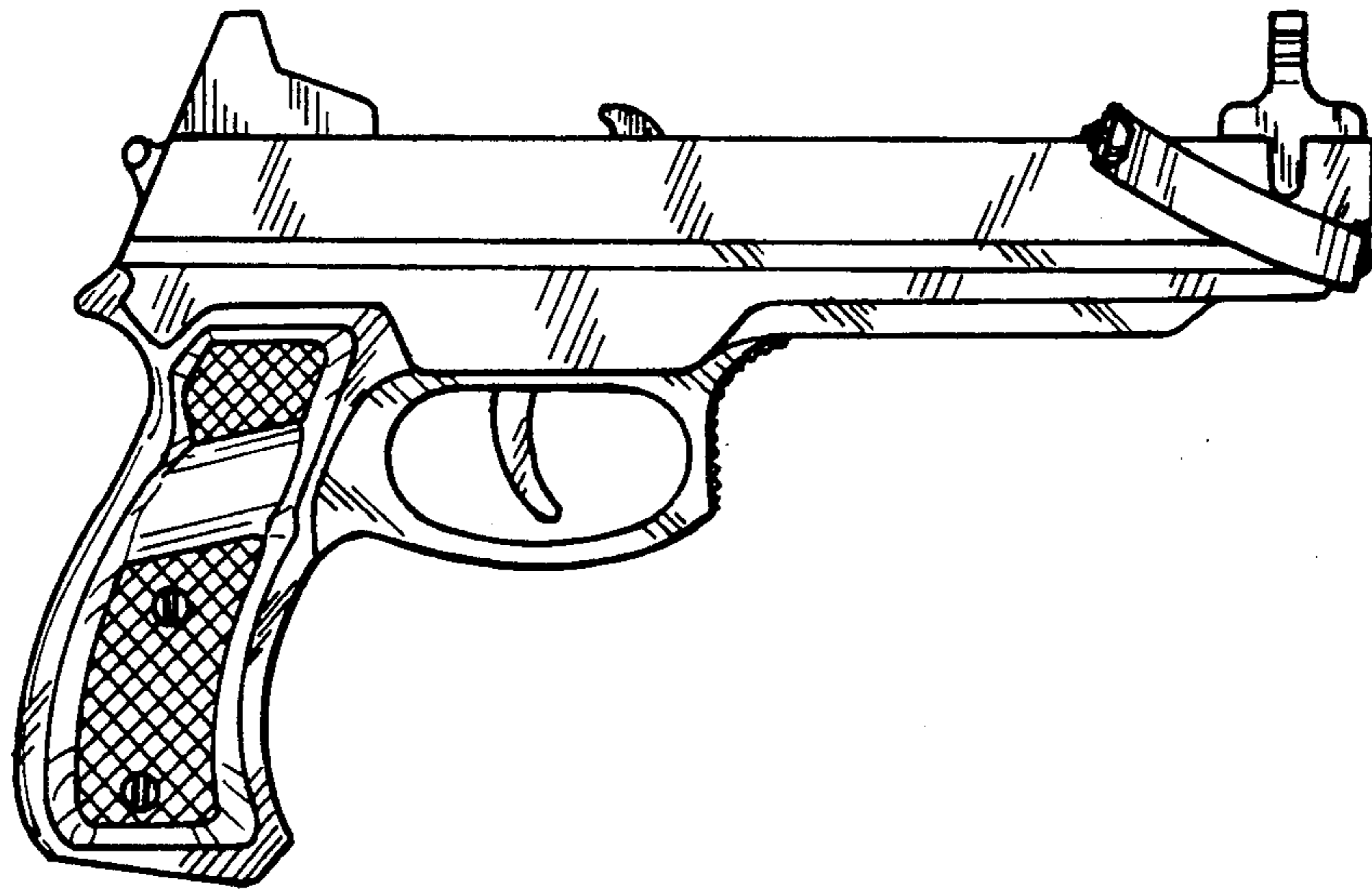
4,206,740 6/1980 Lydon 124/35.1

FIG. 2 is a front elevational view thereof;

FIG. 3 is a rear elevational view thereof;

FIG. 4 is a top plan view thereof; and,

FIG. 5 is a bottom plan view thereof.



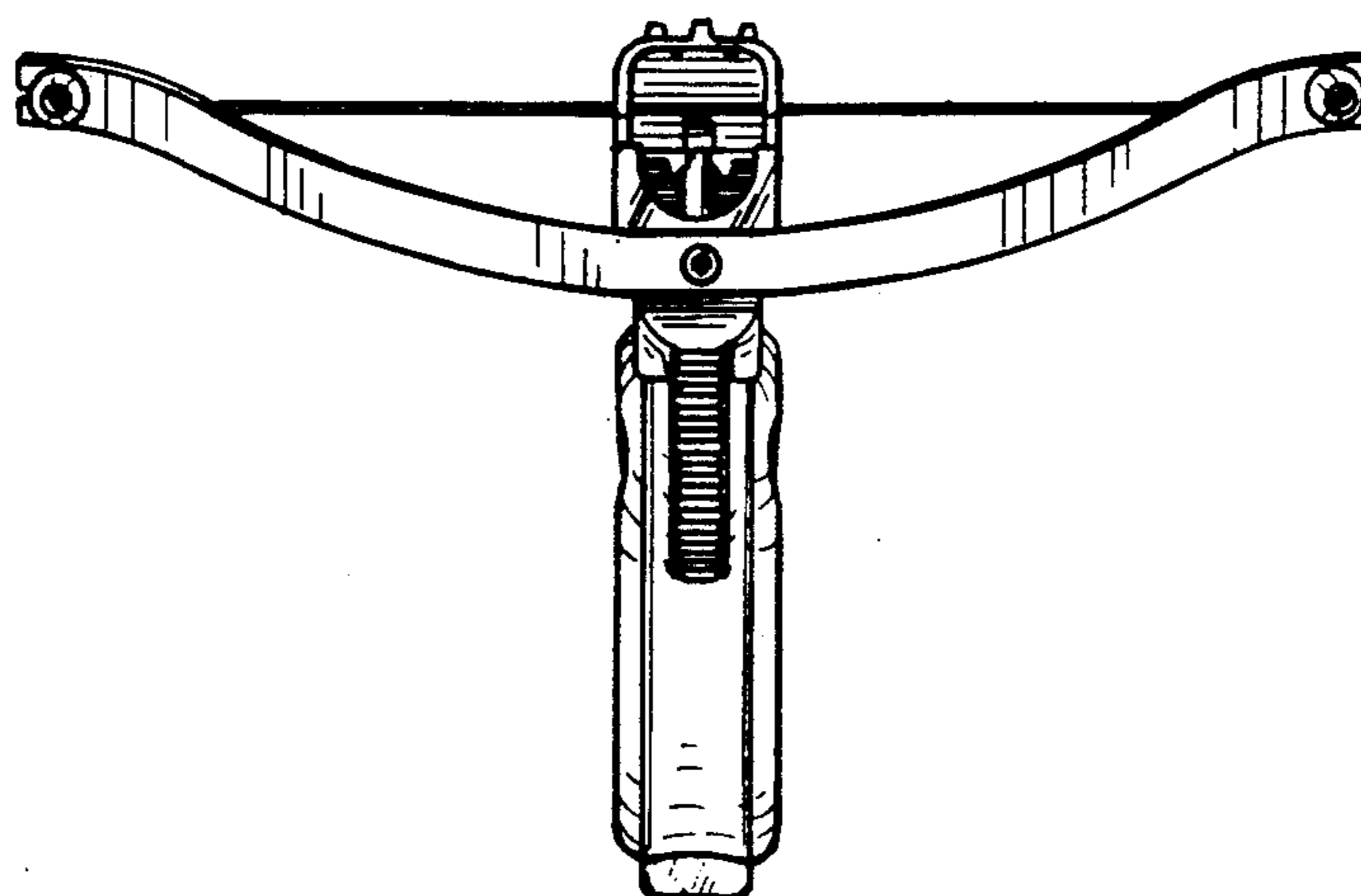


FIG-2

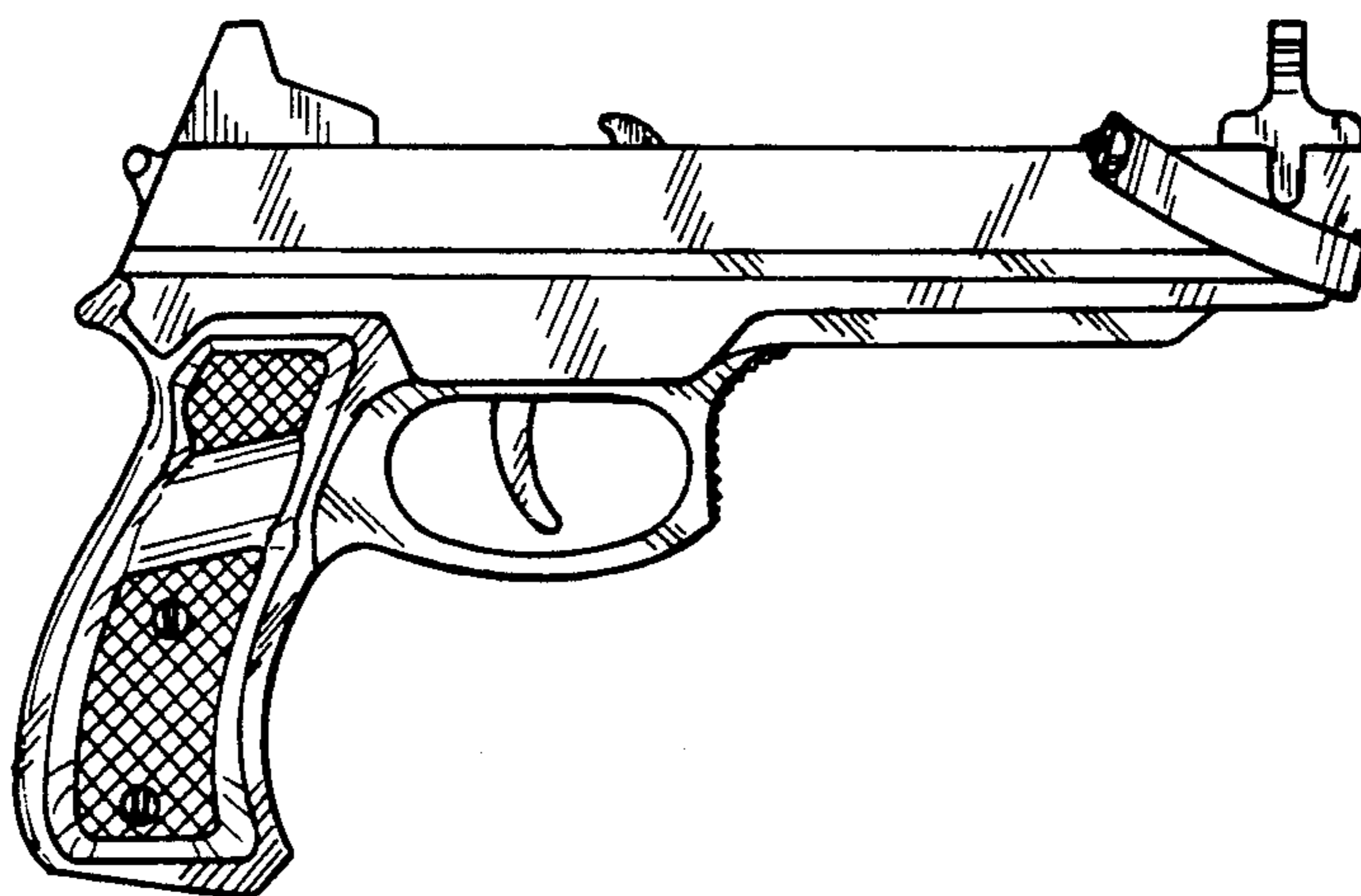


FIG-1

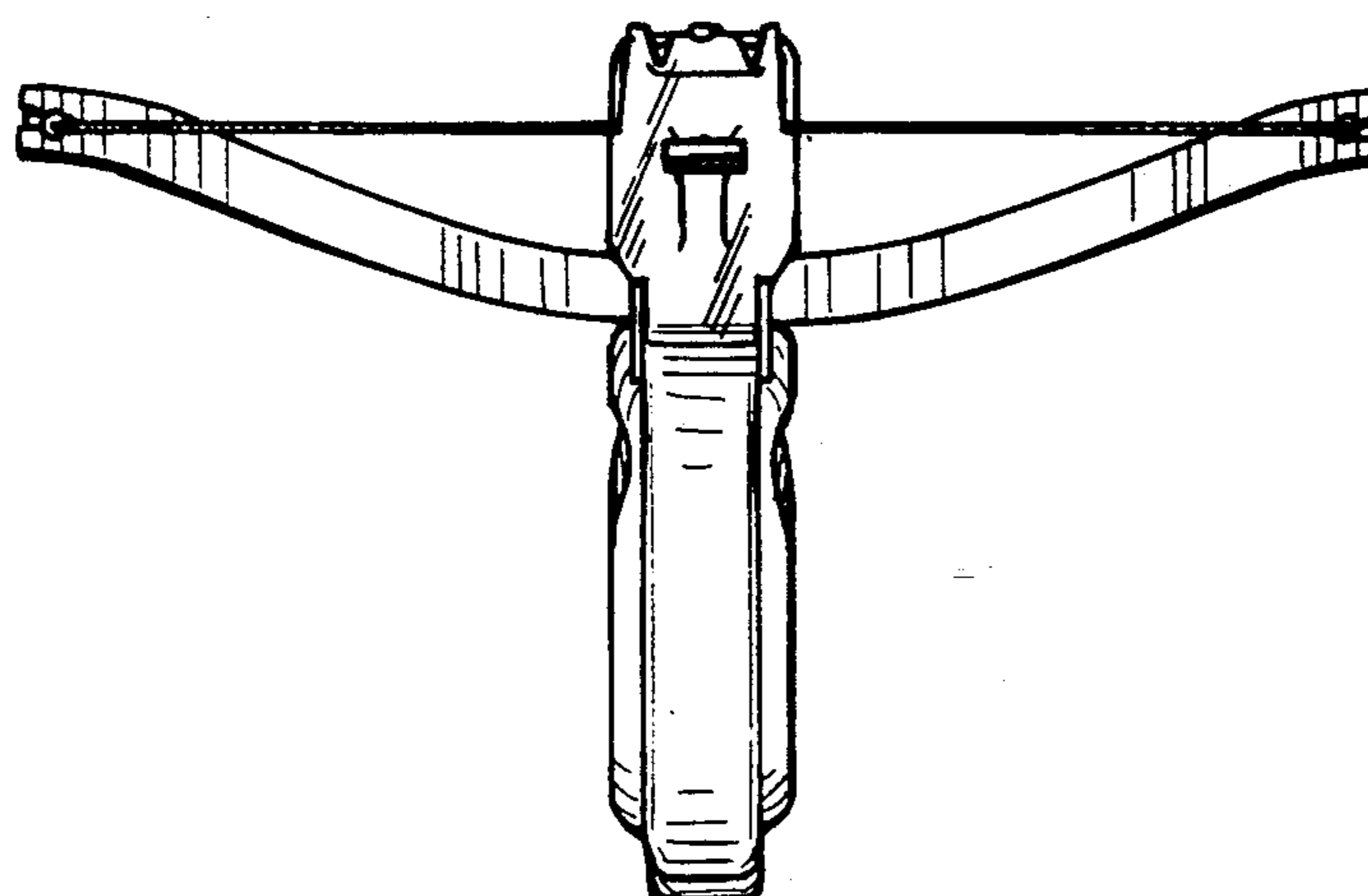


FIG-3

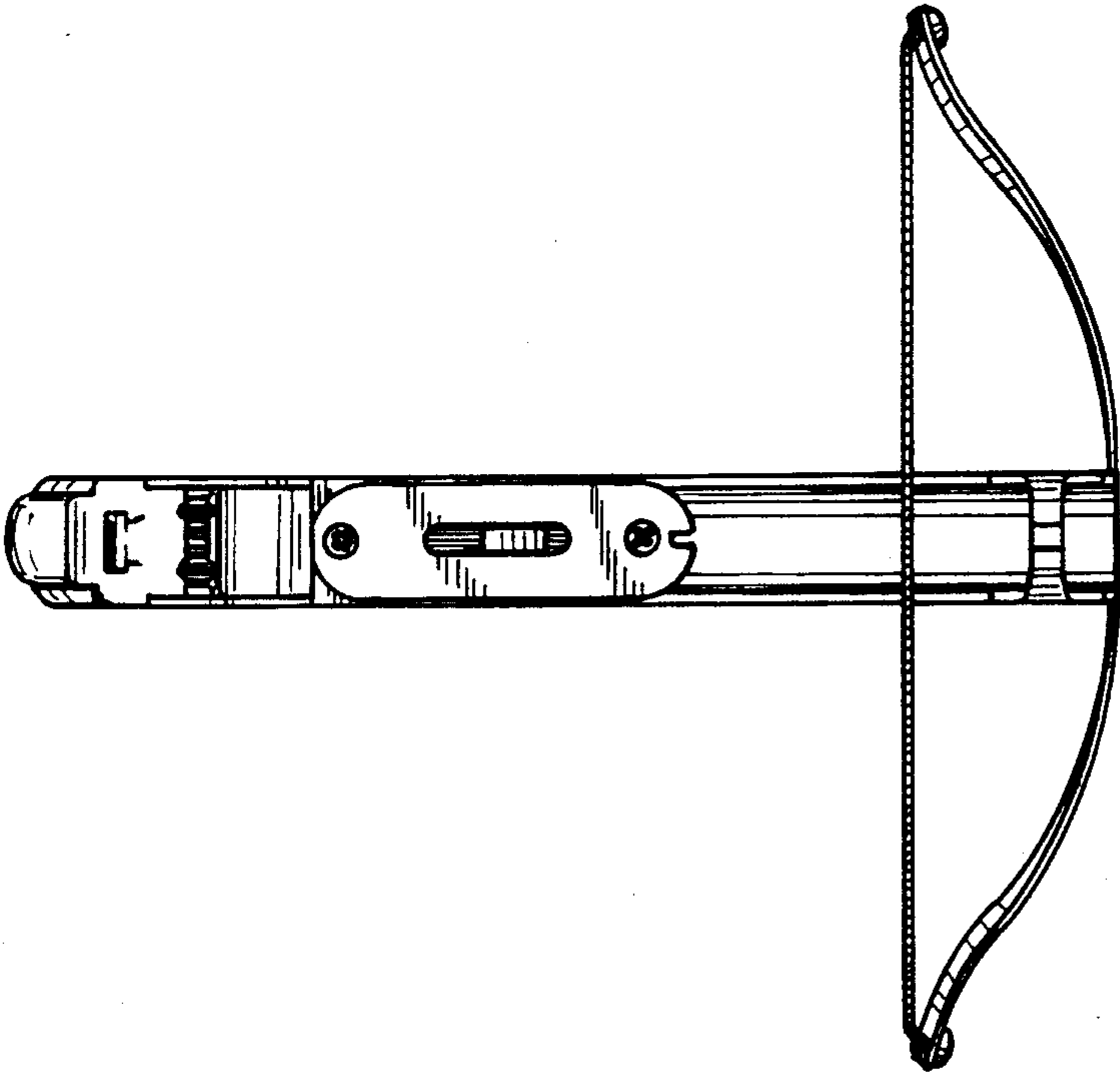


FIG-4

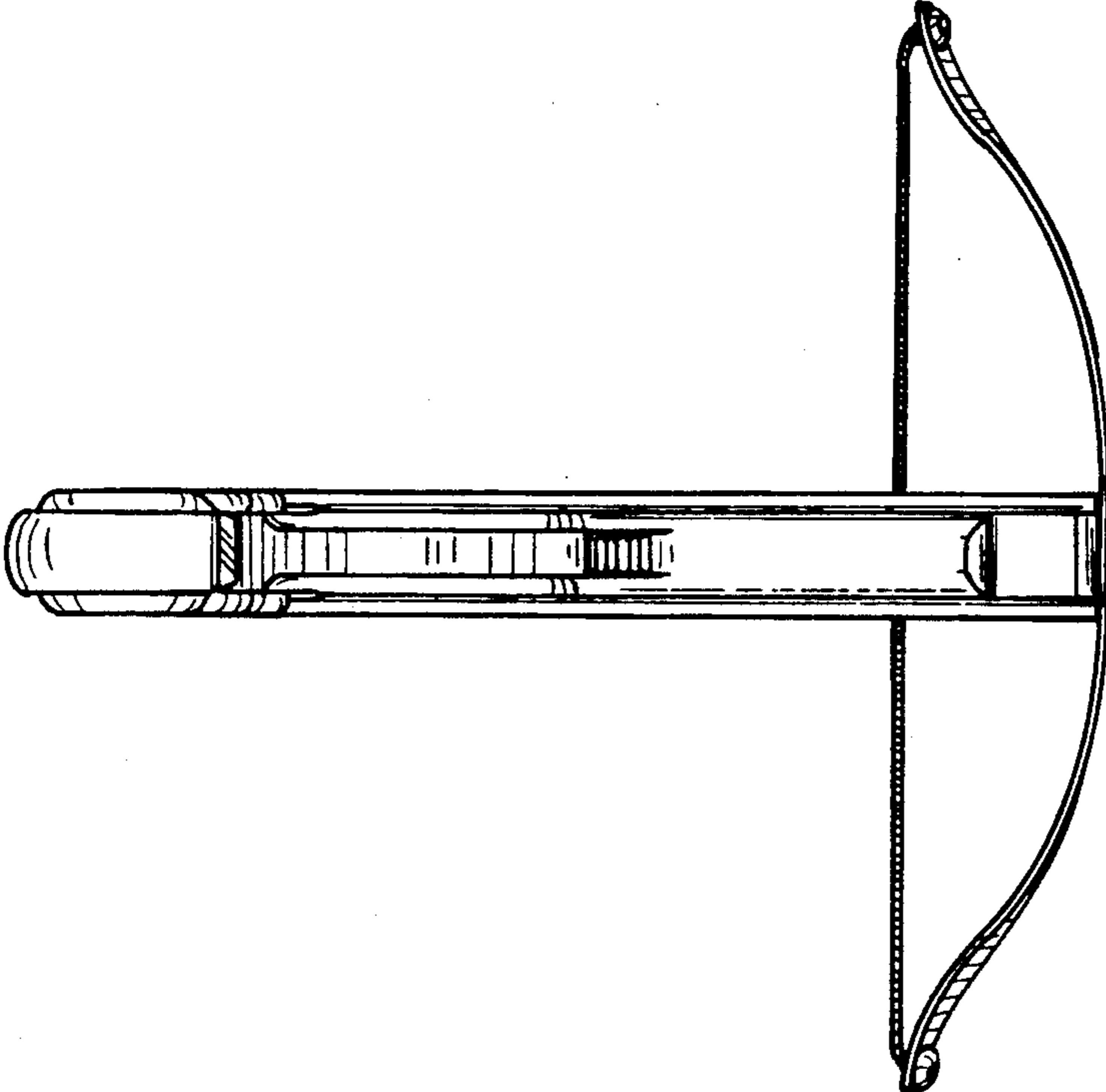


FIG-5