



US00D330059S

# United States Patent [19]

[11] Patent Number: Des. 330,059

McGivern et al.

[45] Date of Patent: \*\* Oct. 6, 1992

[54] BASKETBALL GOAL

[76] Inventors: Sean P. McGivern, 1120 St. Louis St., Edwardsville, Ill. 62025; James R. McDonald, 79 Fairlane, Glen Carbon, Ill. 62034

[\*\*] Term: 14 Years

[21] Appl. No.: 829,160

[22] Filed: Feb. 3, 1992

[52] U.S. Cl. .... D21/201

[58] Field of Search ..... D21/201, 200; 273/1.5 R, 1.5 A

[56] **References Cited**

**U.S. PATENT DOCUMENTS**

2,053,635	9/1936	Sandeberg	273/1.5 R
2,893,734	7/1959	Tarte	273/1.5 R
3,244,420	4/1966	Poynter	273/1.5 A
4,145,044	3/1979	Wilson	273/1.5
4,483,534	11/1984	O'Donnell	273/1.5 R
5,064,195	11/1991	McMahan et al.	273/1.5 R X
5,098,091	3/1992	McGivern	273/1.5

**OTHER PUBLICATIONS**

Porters Basketball Equipment Catalog, 1948, p. 32, No. 211-B Plate Glass Basketball Bank.  
Jamison Manufacturing Company Advertisement, Feb. 1968, item 361-787 Galvanized Backboard.

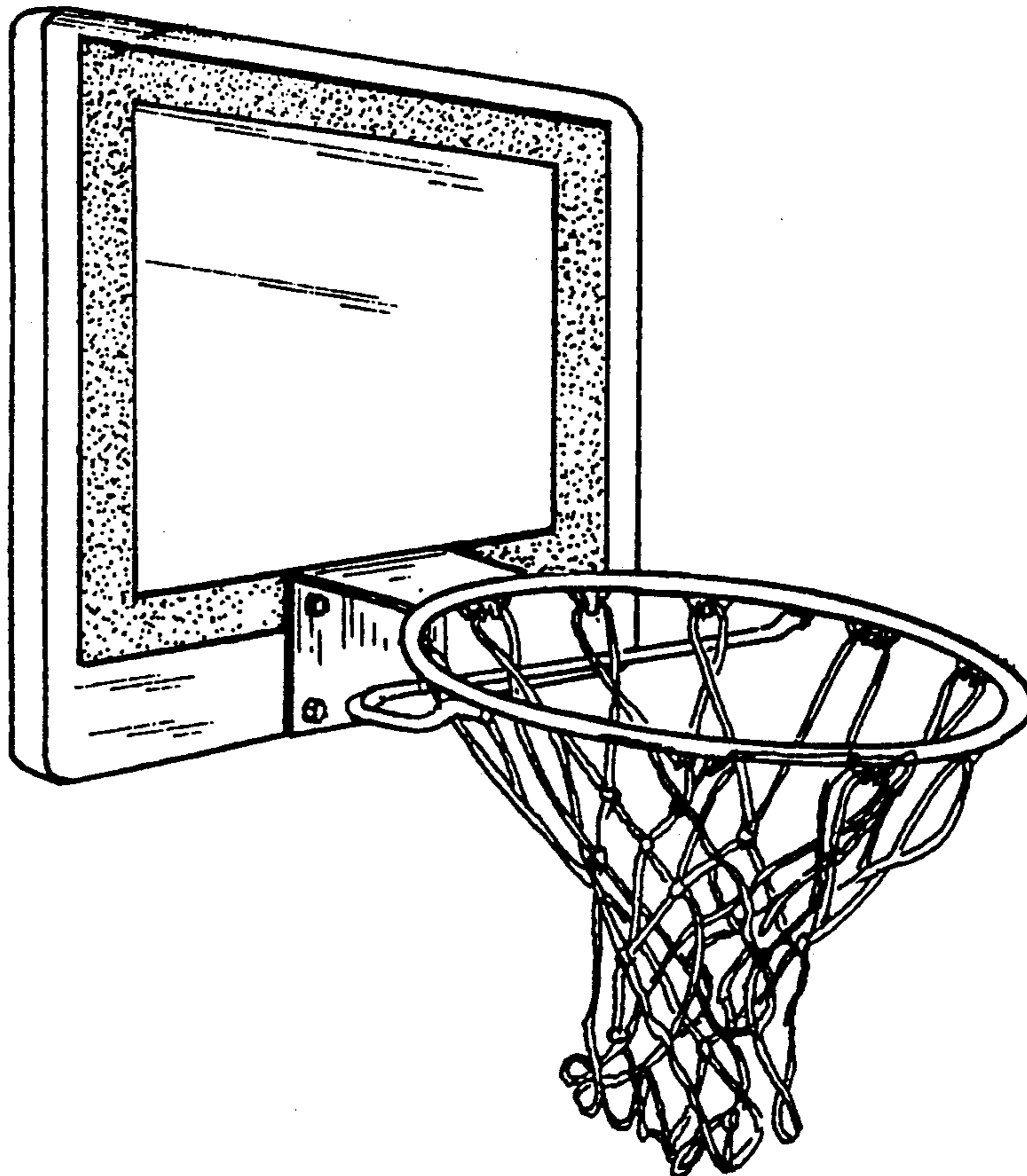
Primary Examiner—Bernard Ansher  
Assistant Examiner—Lucy Lieberman  
Attorney, Agent, or Firm—Polster, Lieder, Woodruff & Lucchesi

[57] **CLAIM**

The ornamental design for a basketball goal, as shown and described.

**DESCRIPTION**

FIG. 1 is a perspective view of a basketball goal showing our new design;  
FIG. 2 is a front elevational view thereof;  
FIG. 3 is a rear elevational view thereof;  
FIG. 4 is a top plan view thereof;  
FIG. 5 is a bottom plan view thereof;  
FIG. 6 is a side elevational view thereof, the opposite side is a mirror image thereof;  
FIG. 7 is a perspective view of an alternate embodiment of the basketball goal;  
FIG. 8 is a front elevational view of the FIG. 7 illustration;  
FIG. 9 is a rear elevational view of the FIG. 7 illustration;  
FIG. 10 is a top plan view of the FIG. 7 illustration;  
FIG. 11 is a bottom plan view of the FIG. 7 illustration; and,  
FIG. 12 is a side elevational view of FIG. 7, the opposite is a mirror image thereof.



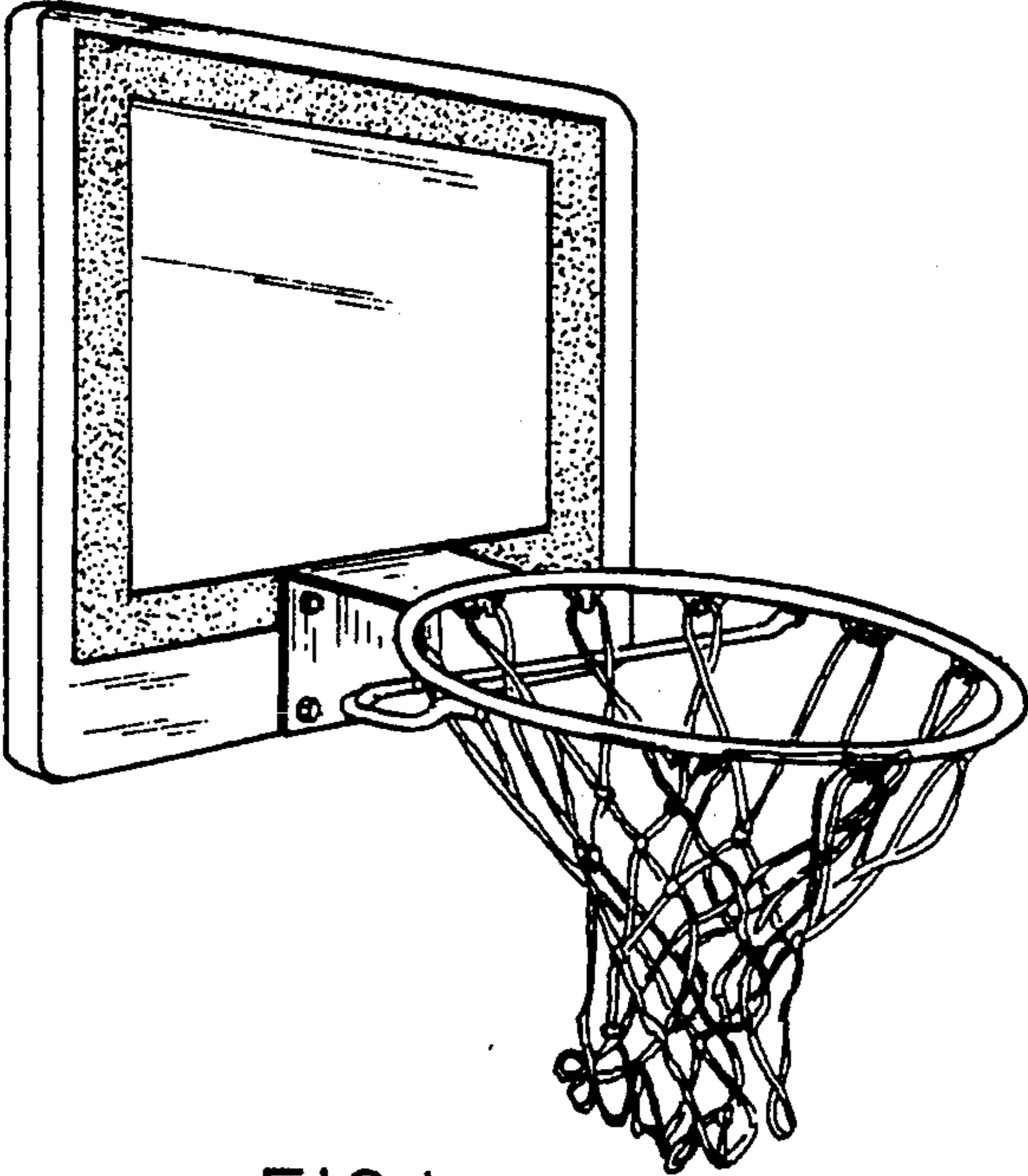


FIG. 1.

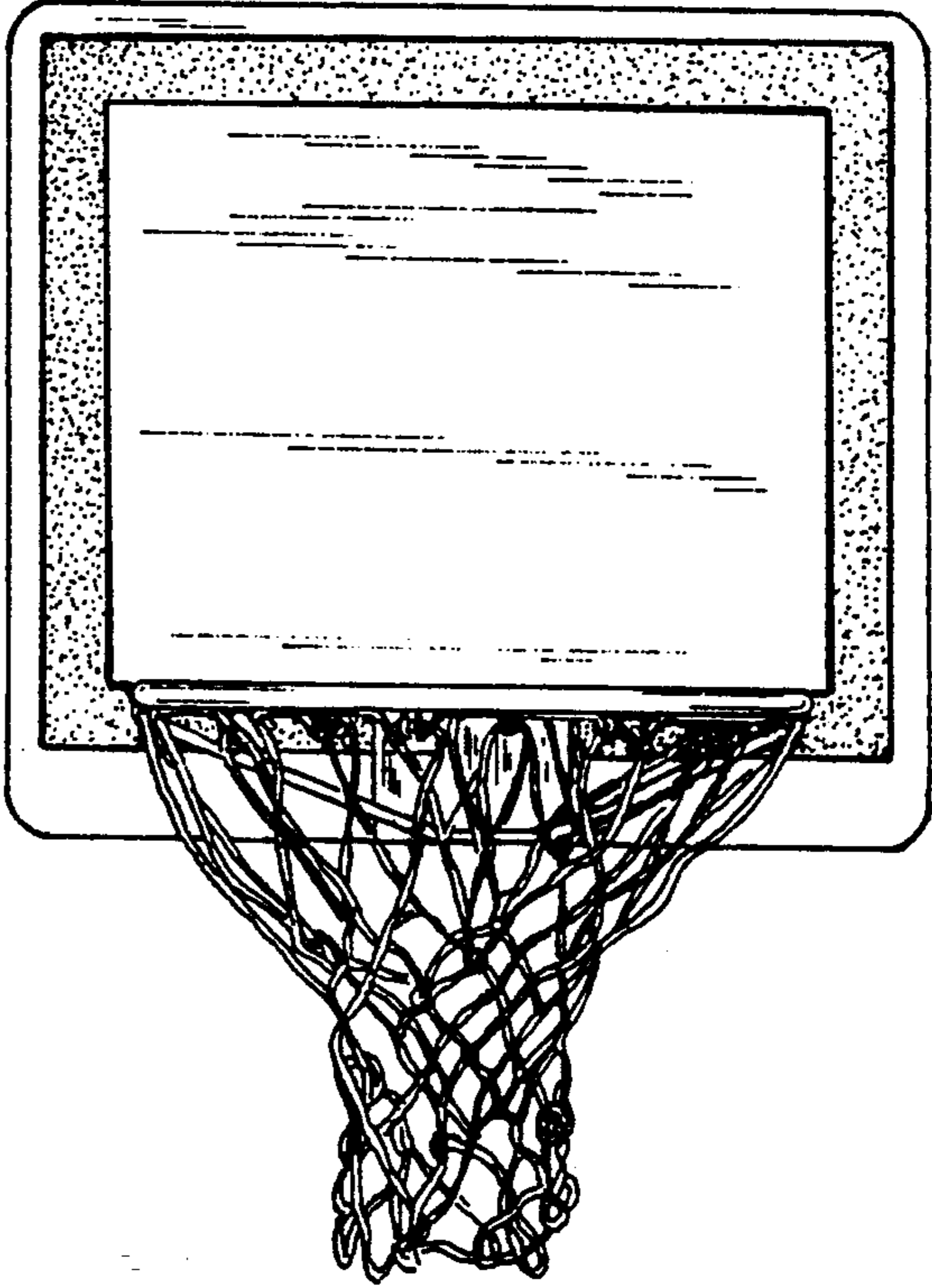


FIG. 2.

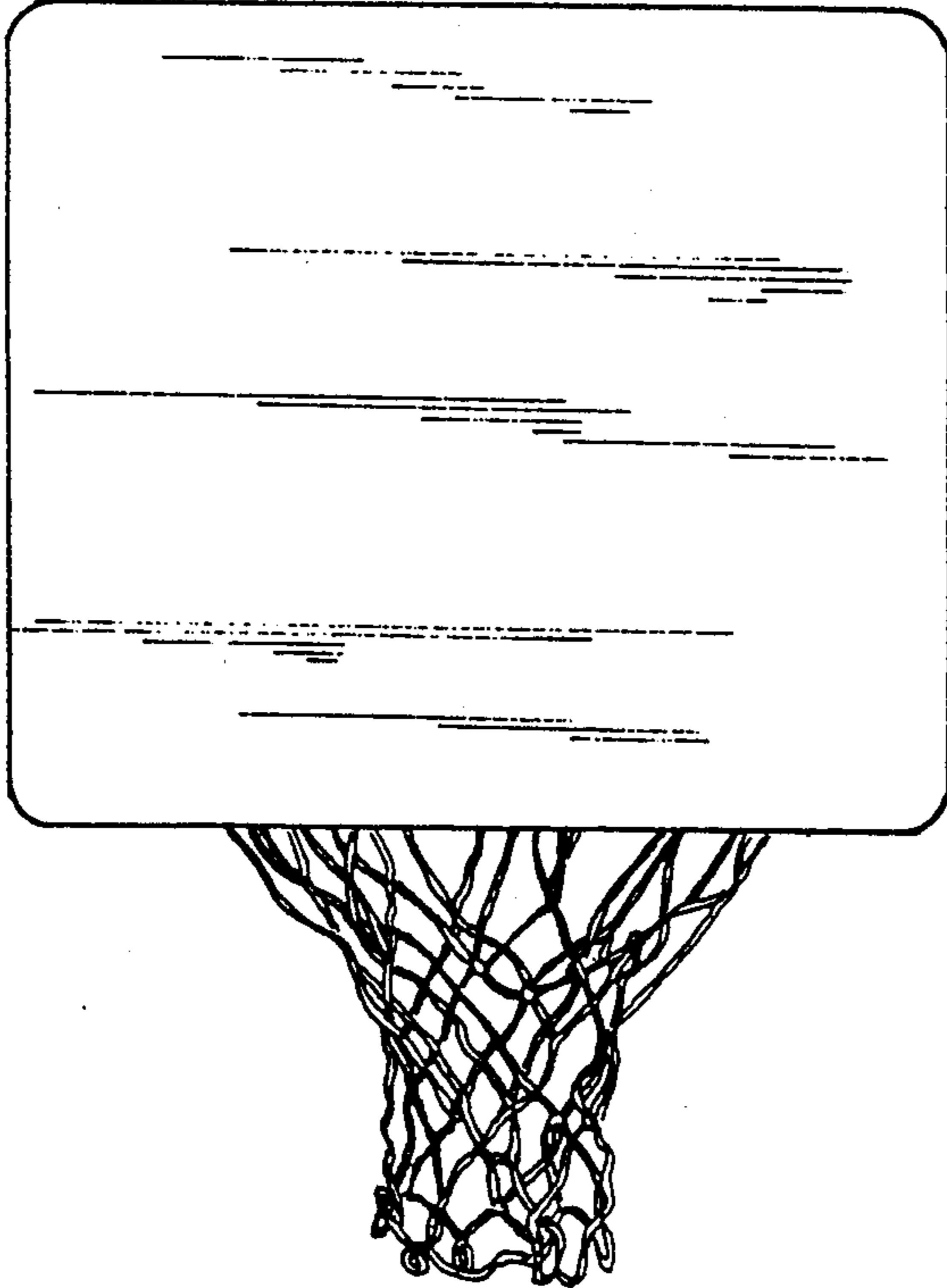


FIG. 3.

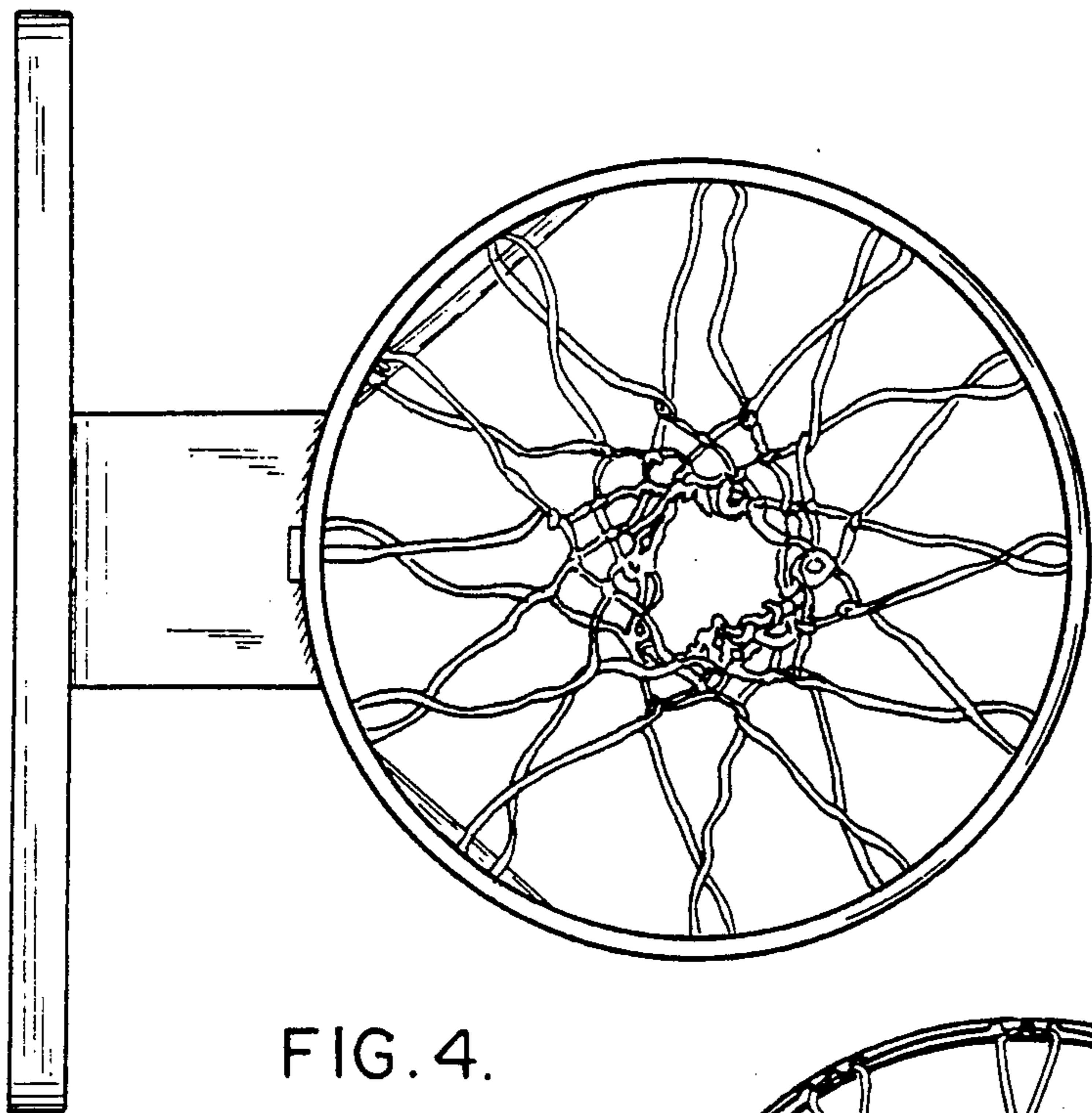


FIG. 4.

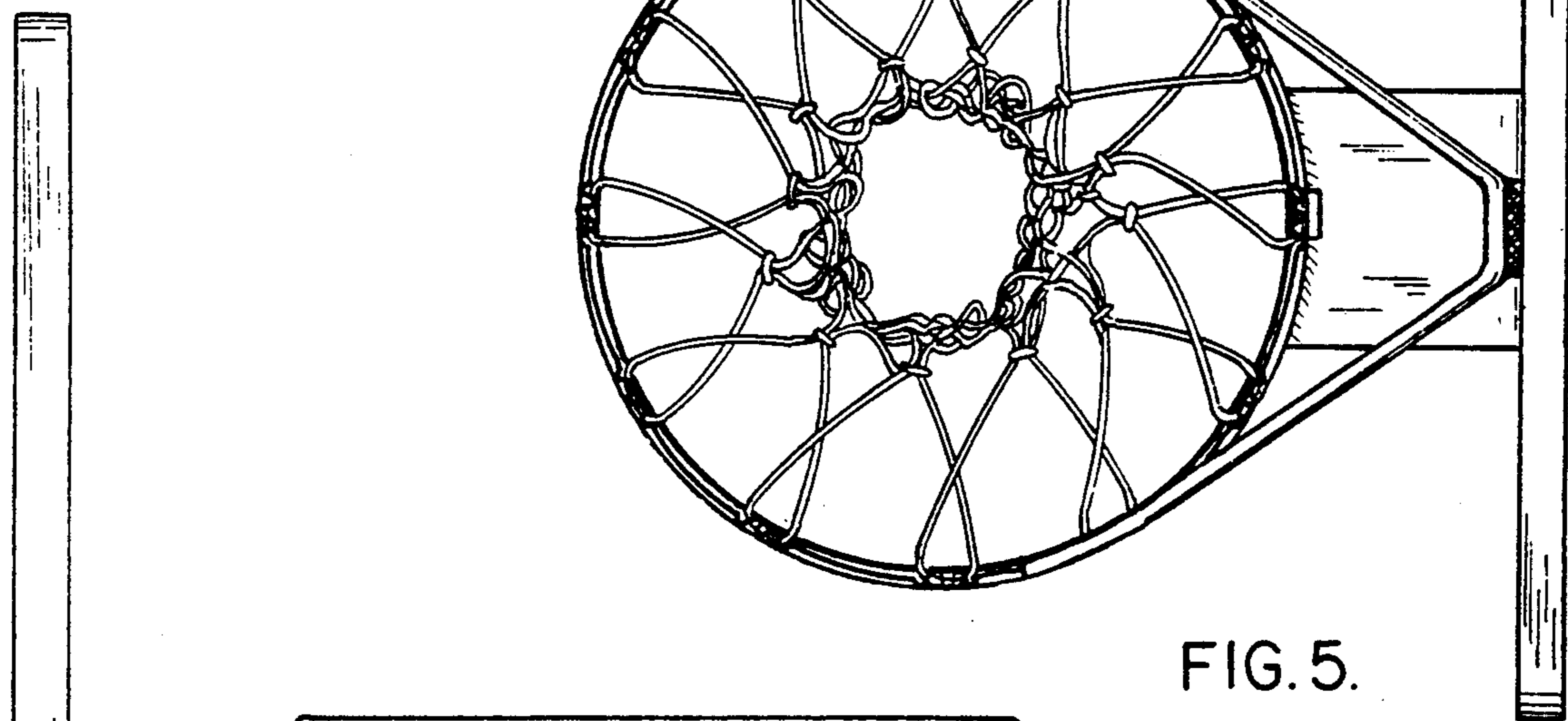


FIG. 5.

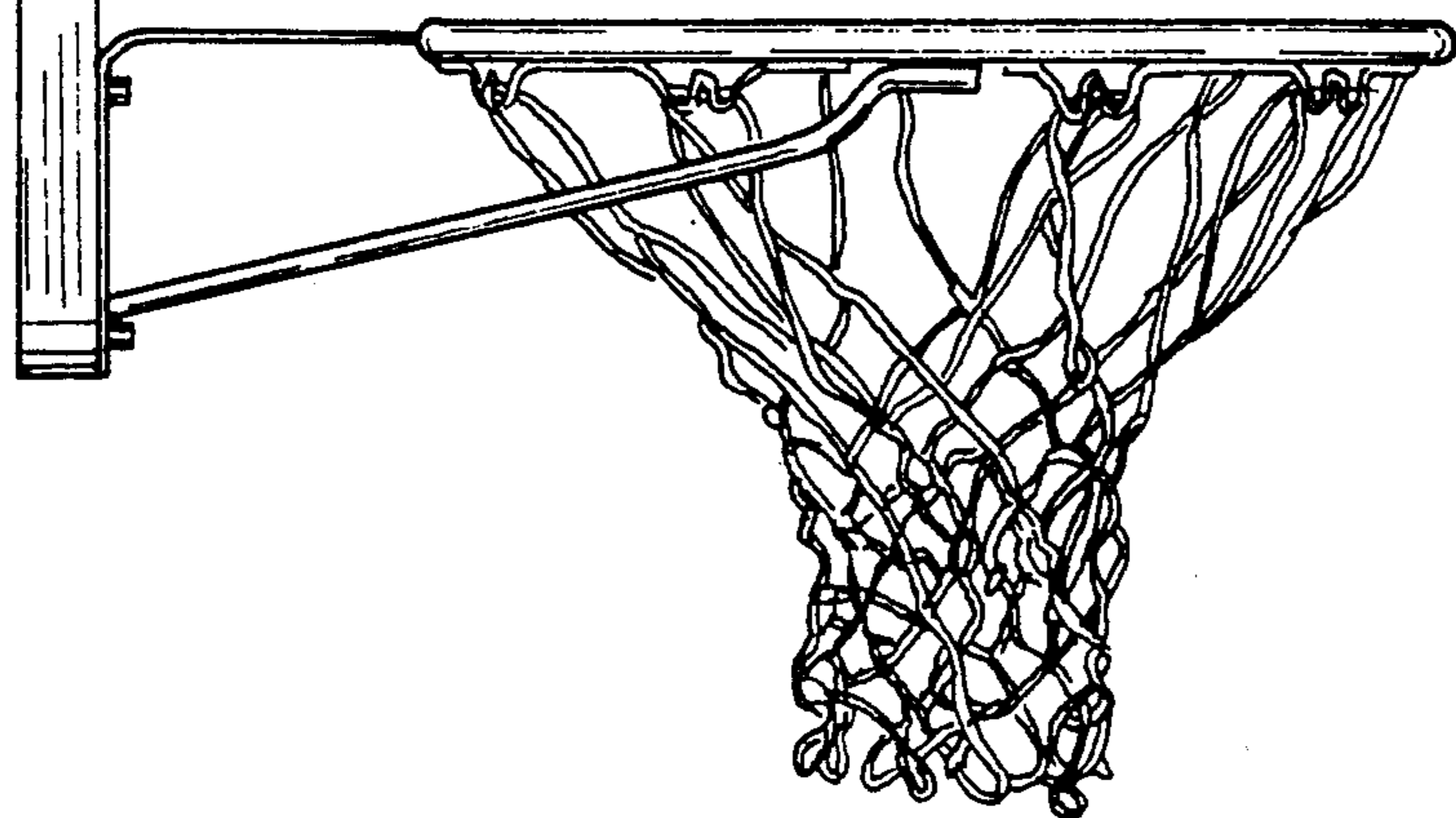


FIG. 6.

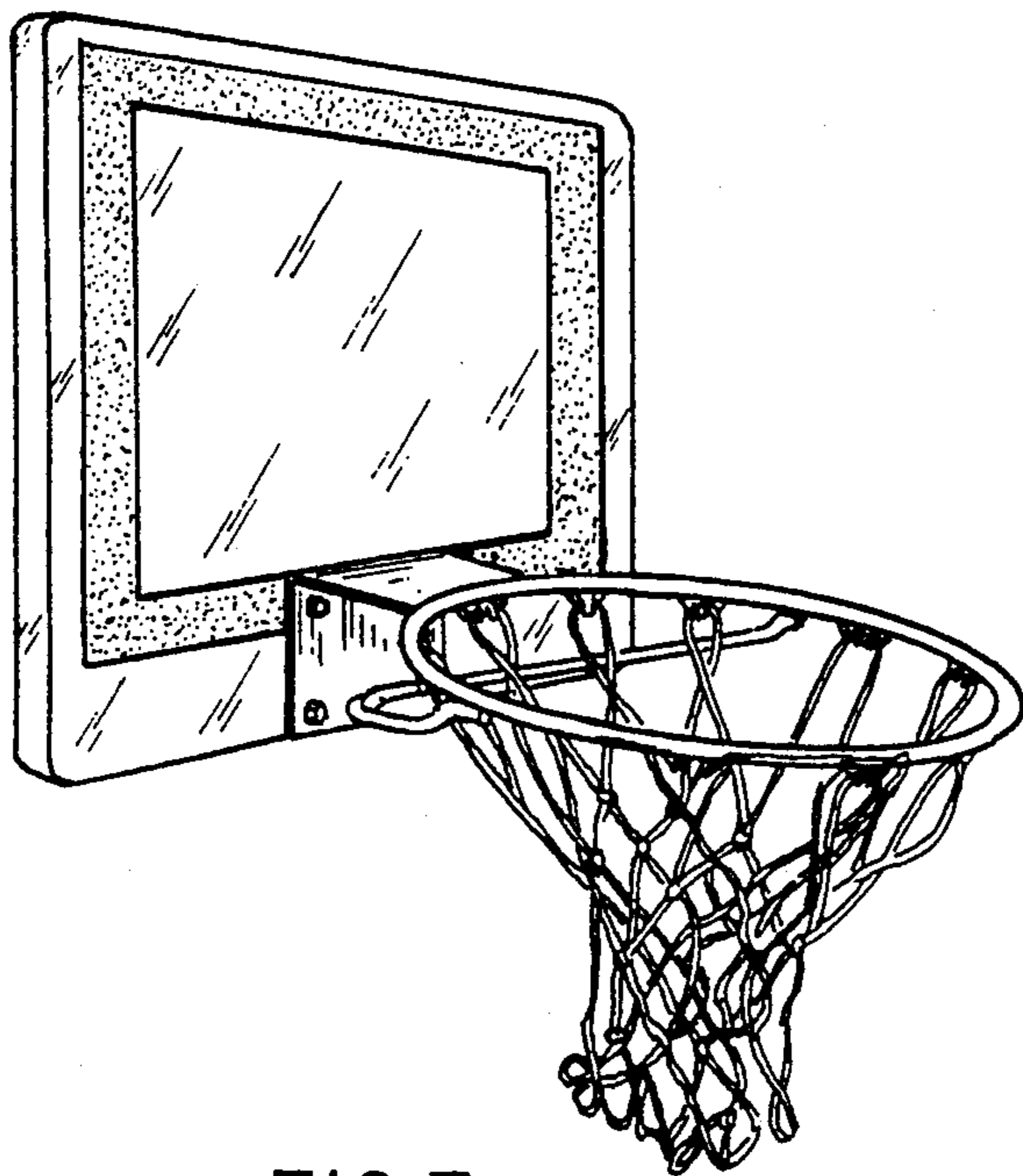


FIG. 7.

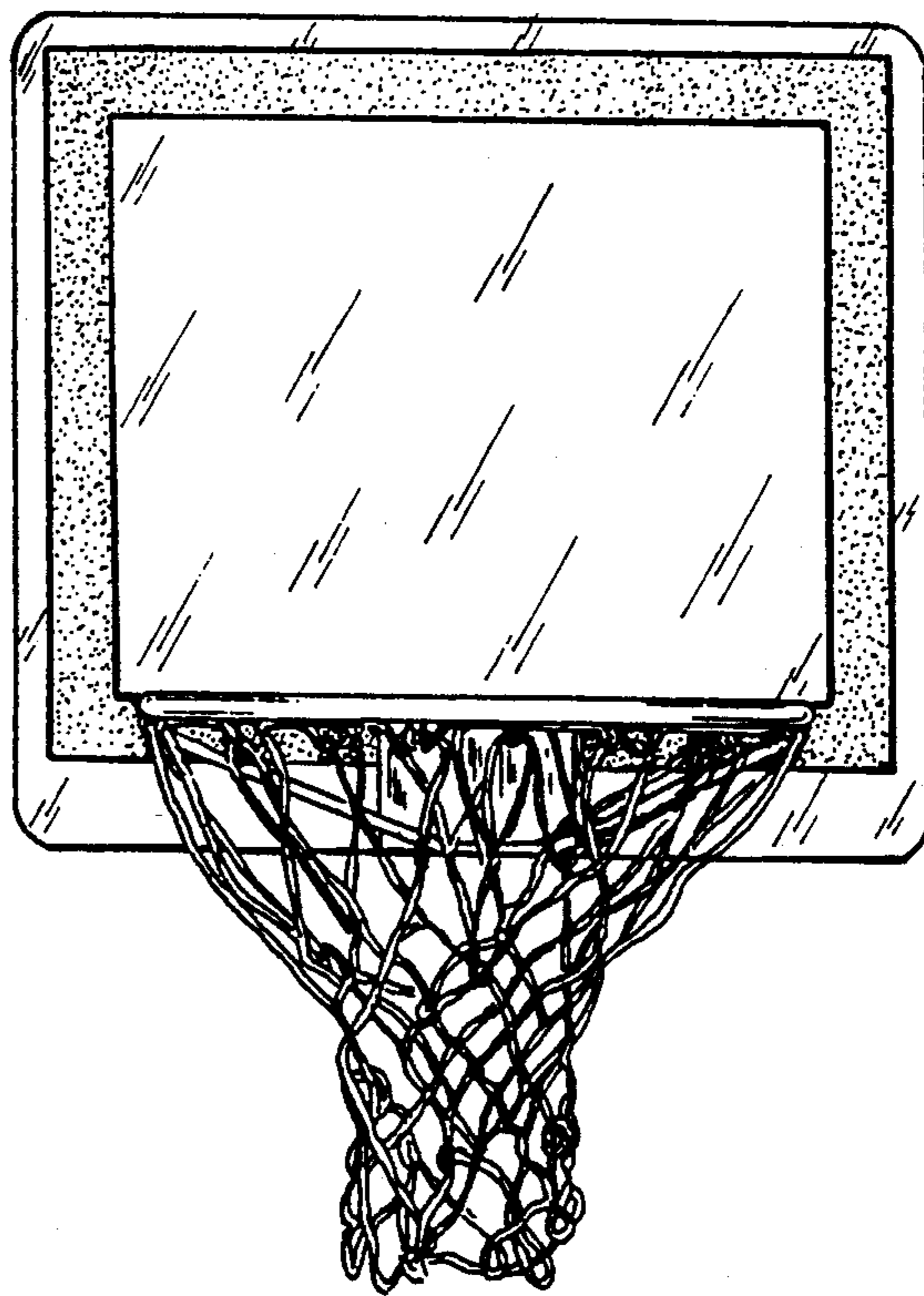


FIG. 8.

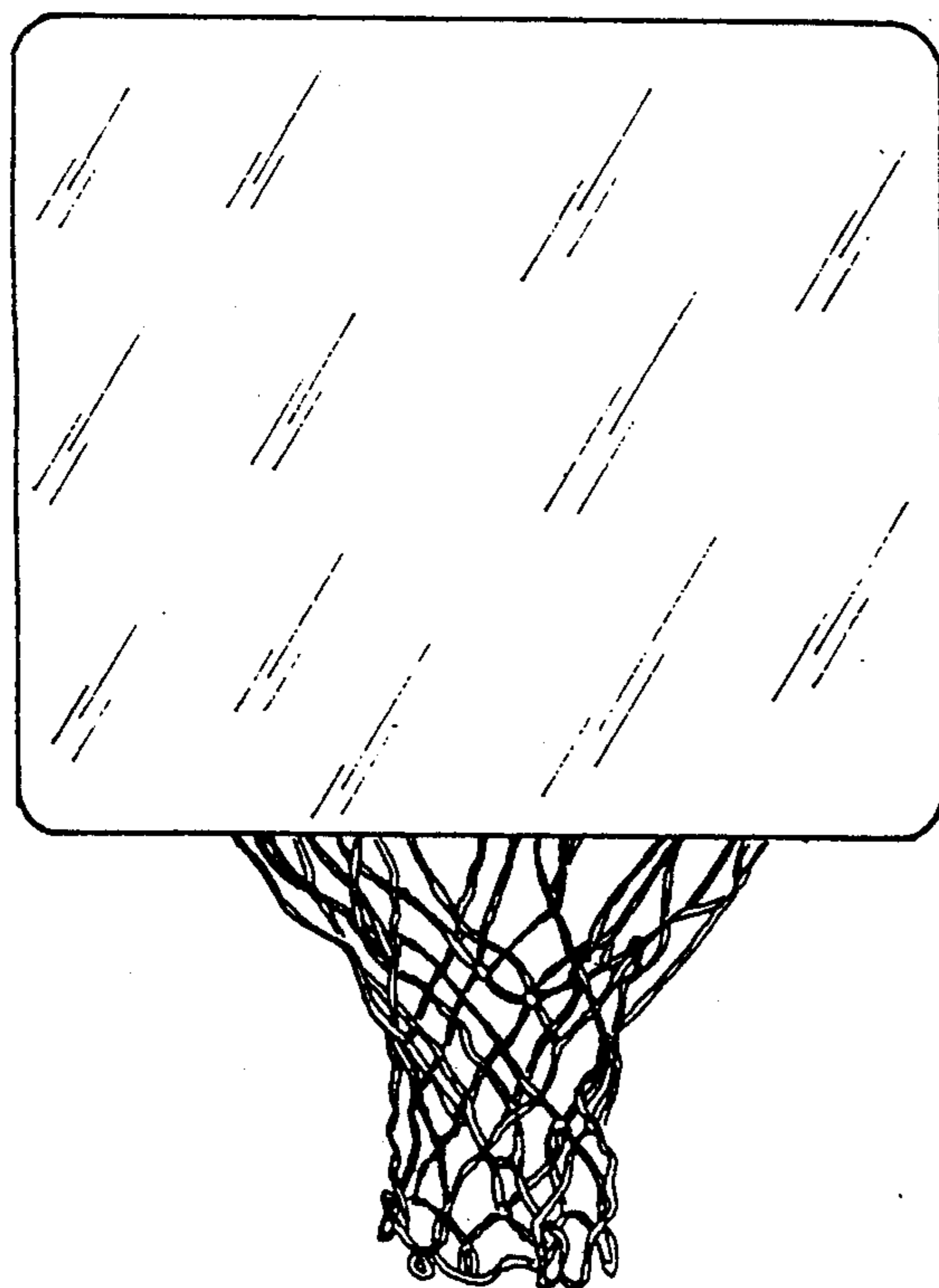


FIG. 9.

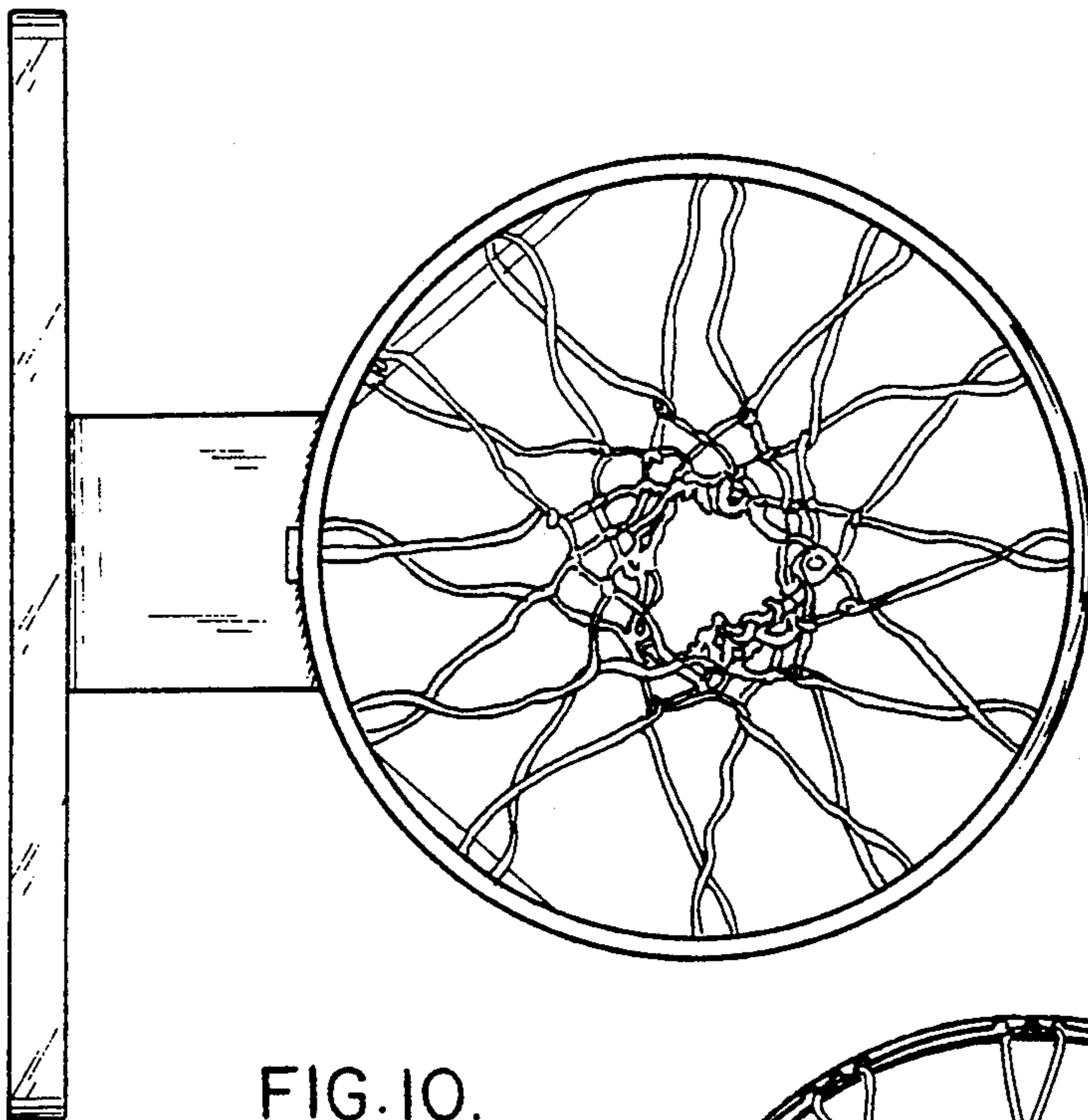


FIG. 10.

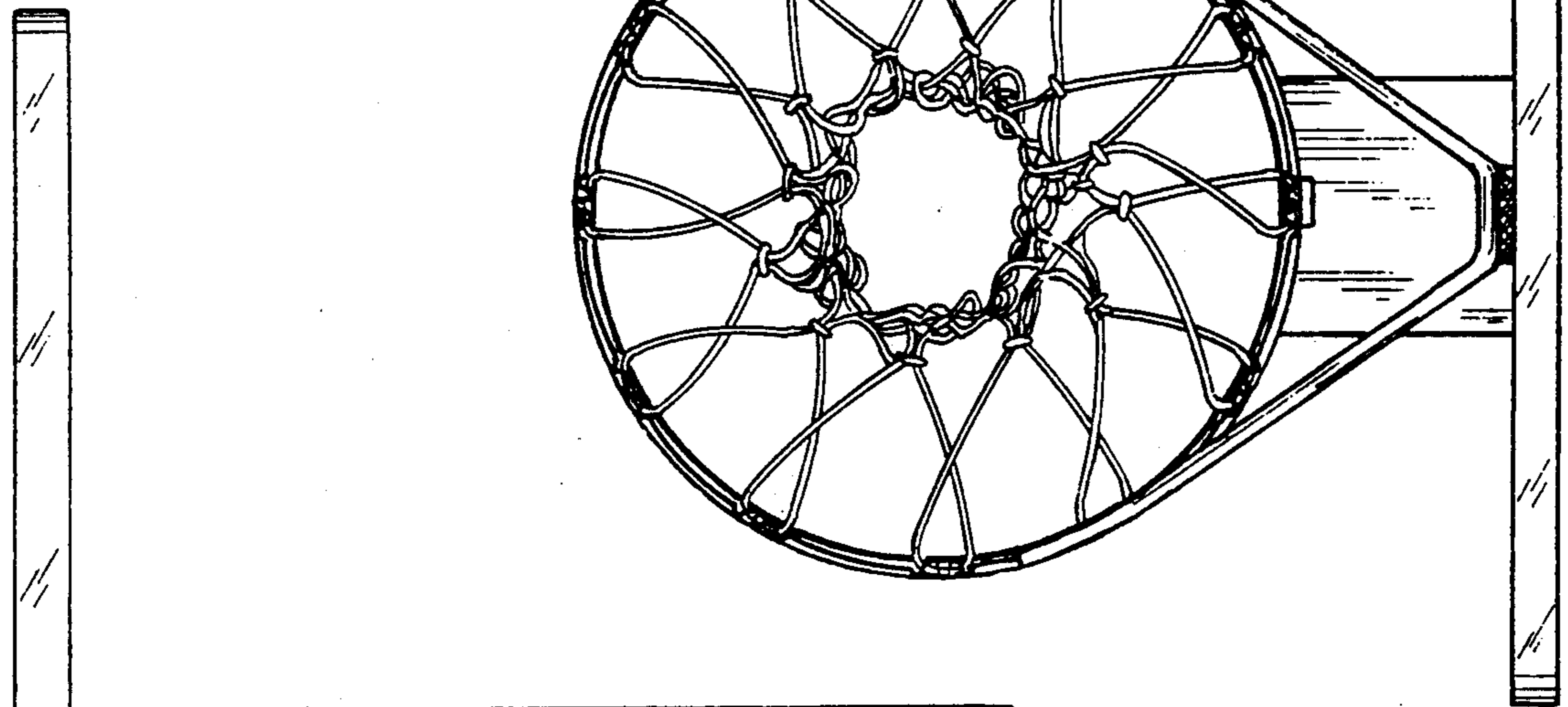


FIG. 11.

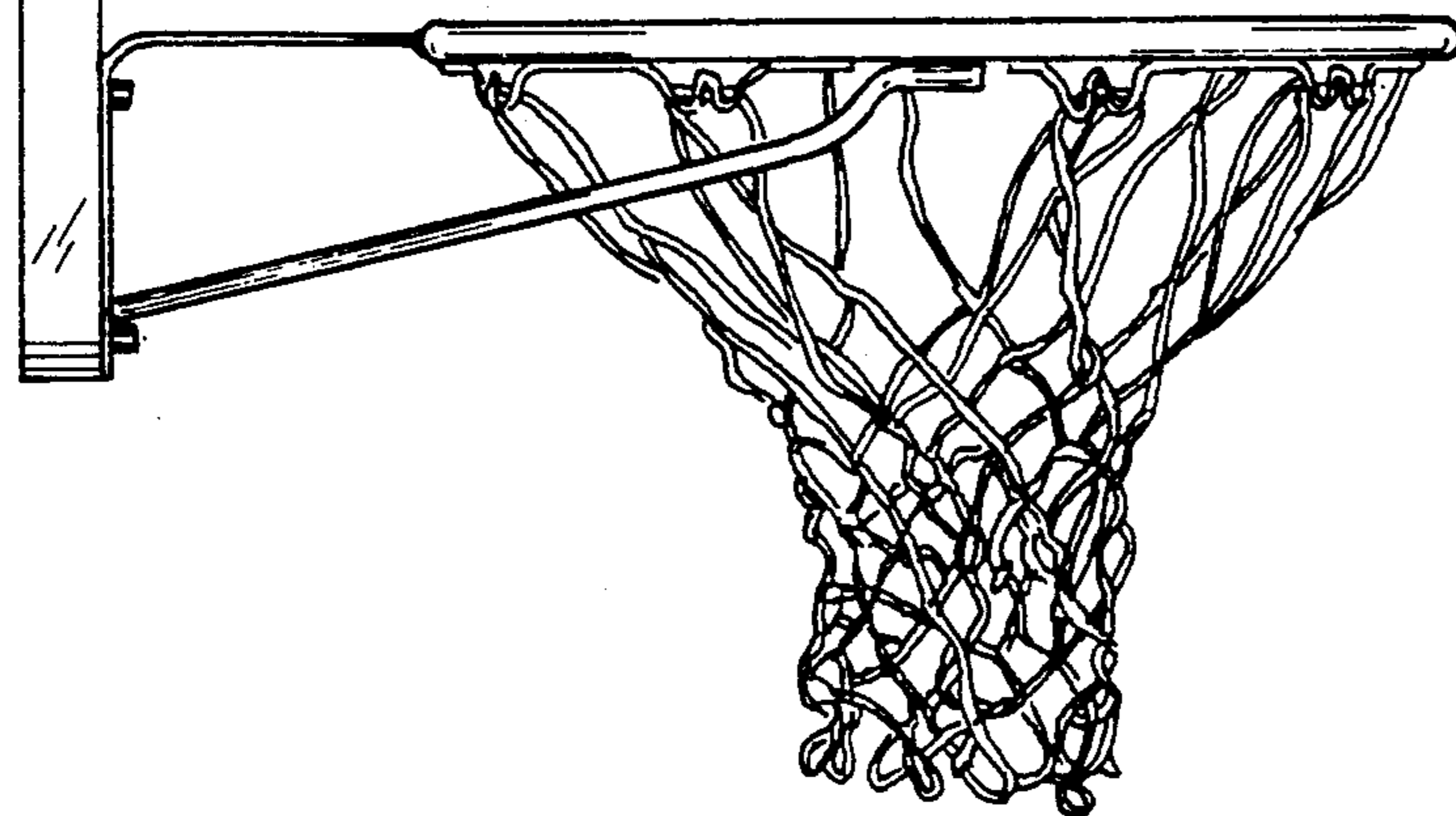


FIG. 12.