



US00D330058S

United States Patent [19]

[11] Patent Number: **Des. 330,058**

Yang

[45] Date of Patent: **** Oct. 6, 1992**

[54] **CLIMBING EXERCISER**

D. 324,089 2/1992 Miller D21/191
4,989,857 2/1991 Kuo et al. 482/52

[76] Inventor: **Chung-Chin Yang**, No. 39-7, Hsin Pon Road, Toayean, Taiwan

Primary Examiner—Charles A. Rademaker
Attorney, Agent, or Firm—Zarley, McKee, Thomte, Voorhees & Sease

[**] Term: **14 Years**

[21] Appl. No.: **545,184**

[57] **CLAIM**

[22] Filed: **Jun. 28, 1990**

The ornamental design for a climbing exerciser, as shown and described.

[52] U.S. Cl. **D21/195**

[58] Field of Search D21/191-199;
482/51, 66, 70, 52, DIG. 901

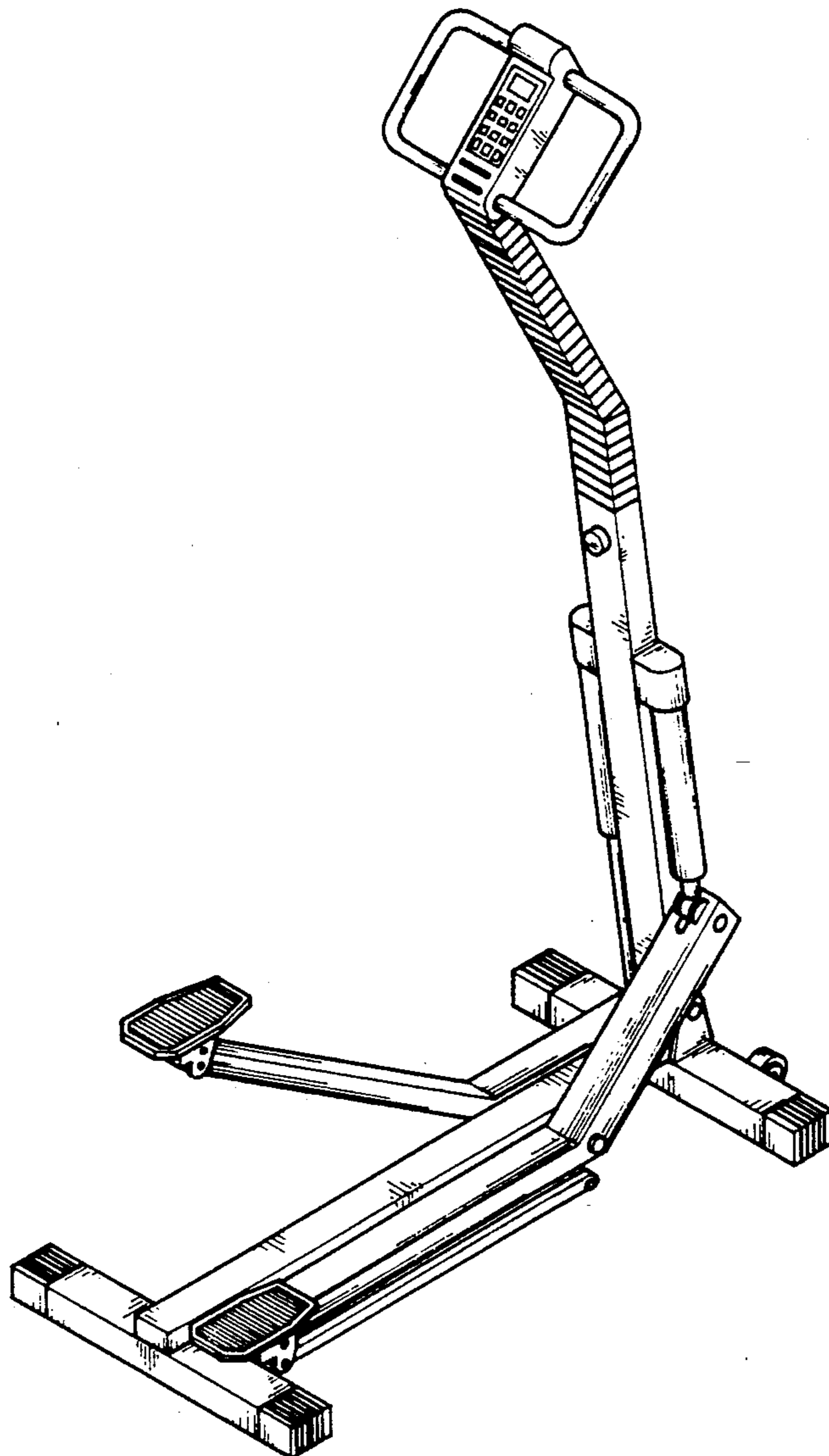
DESCRIPTION

[56] **References Cited**

U.S. PATENT DOCUMENTS

- D. 304,358 10/1989 Armstrong et al. D21/195
- D. 319,085 8/1991 Kuo D21/195
- D. 319,855 9/1991 Bull D21/195
- D. 321,388 11/1991 Dalebout D21/195

FIG. 1 is a front perspective view of a climbing exerciser showing my new design;
 FIG. 2 is a front elevational view thereof;
 FIG. 3 is a rear elevational view thereof;
 FIG. 4 is a top plan view thereof;
 FIG. 5 is a bottom plan view thereof;
 FIG. 6 is a right side elevational view thereof; and,
 FIG. 7 is a left side elevational view thereof.



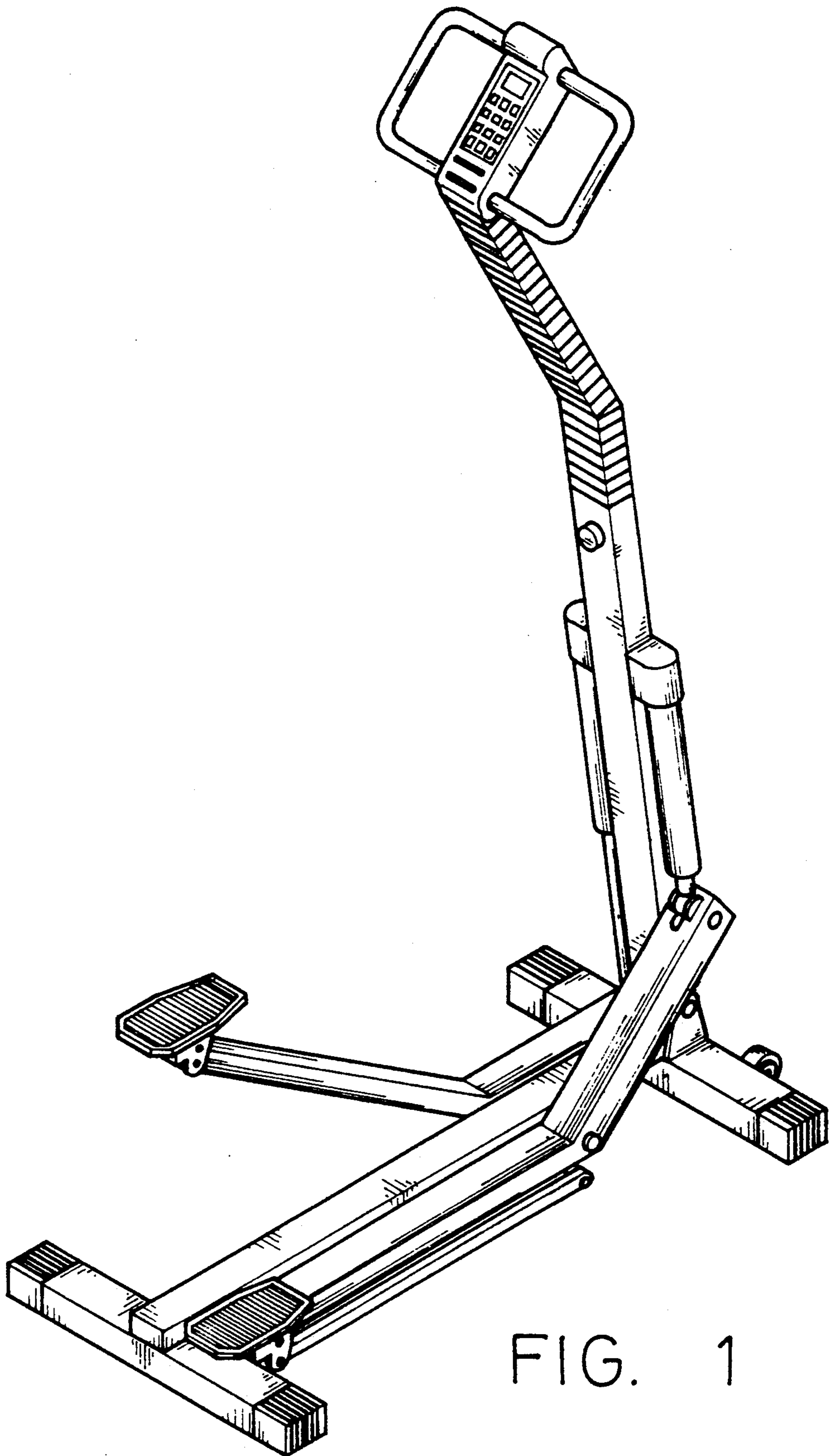


FIG. 1

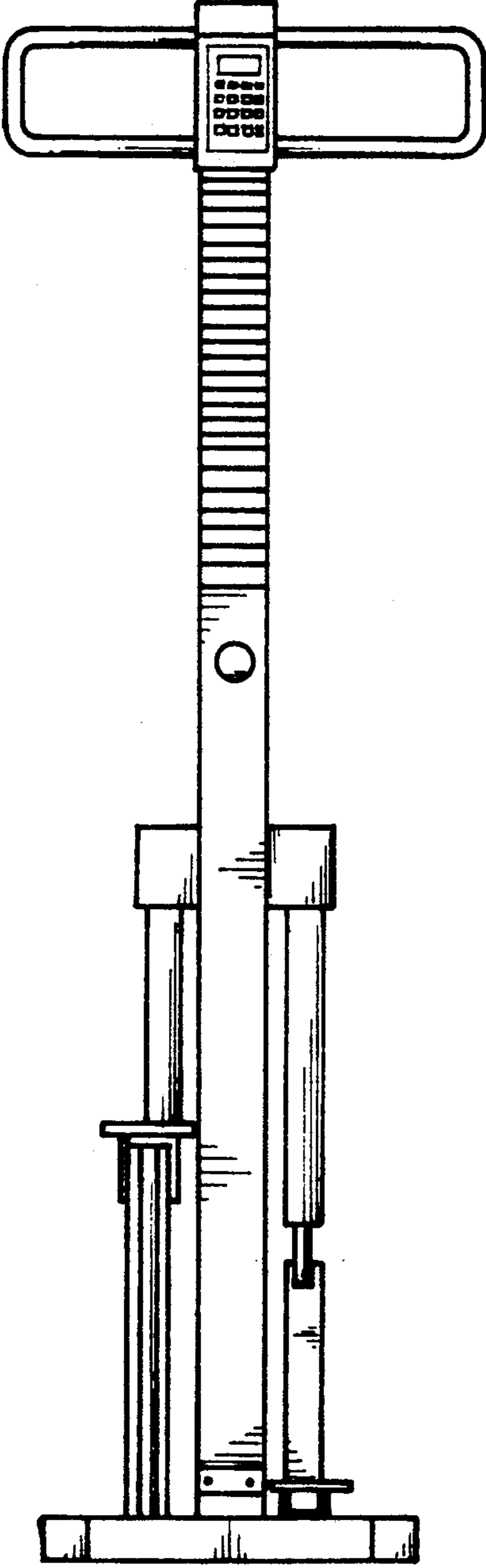


FIG. 2

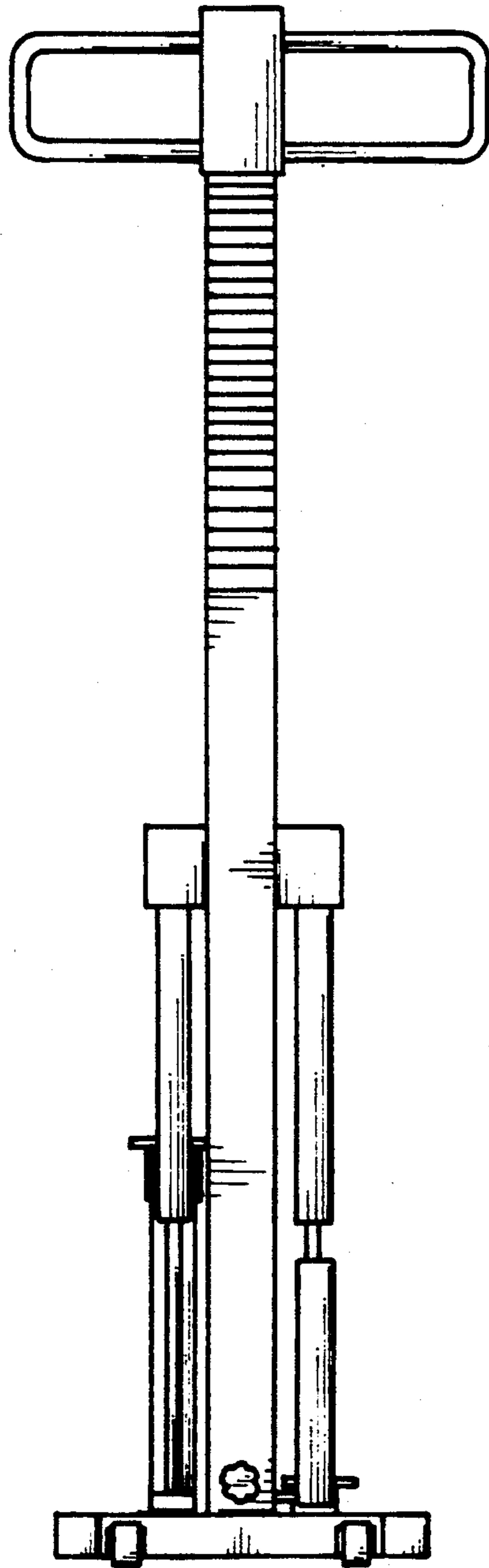


FIG. 3

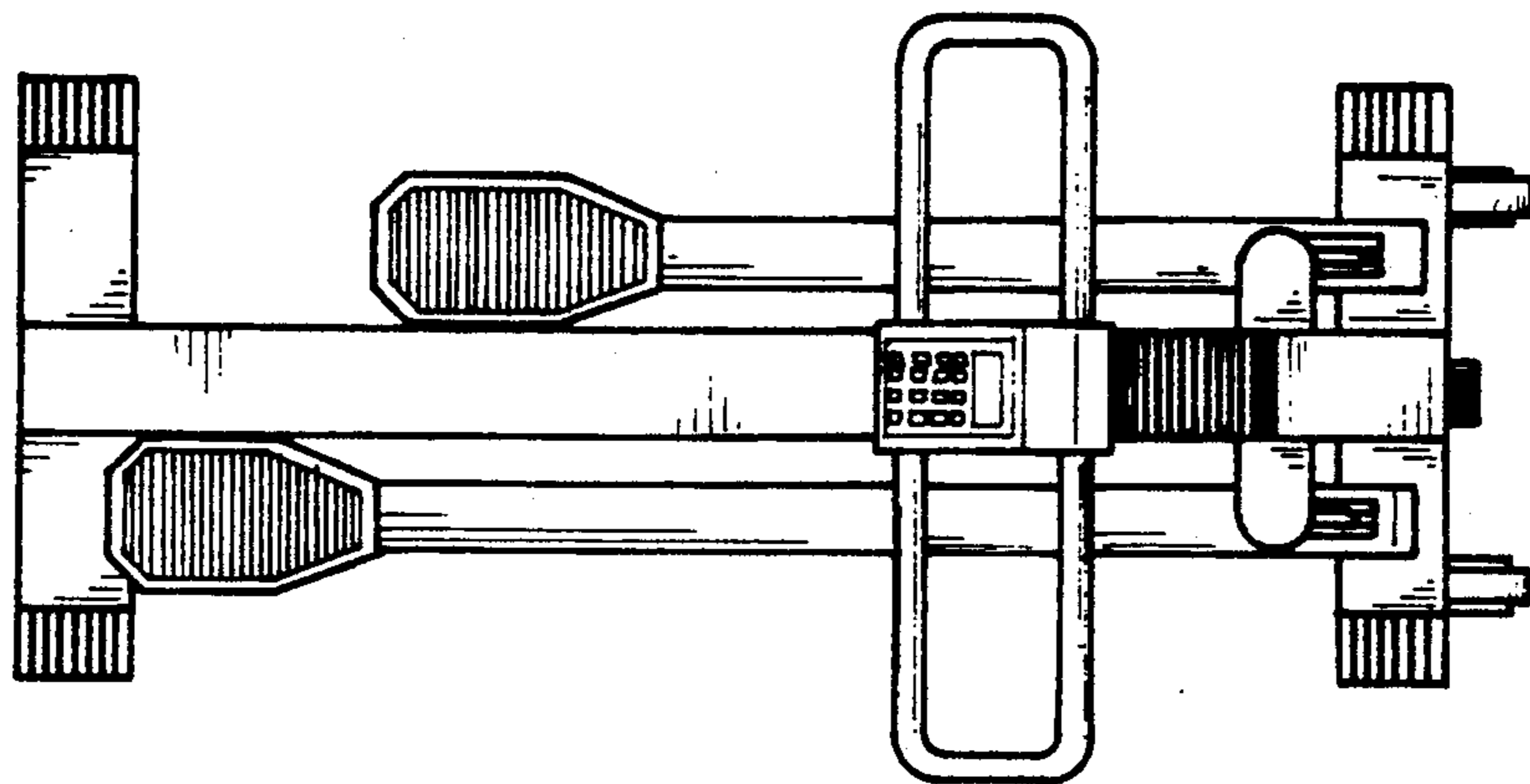


FIG. 4

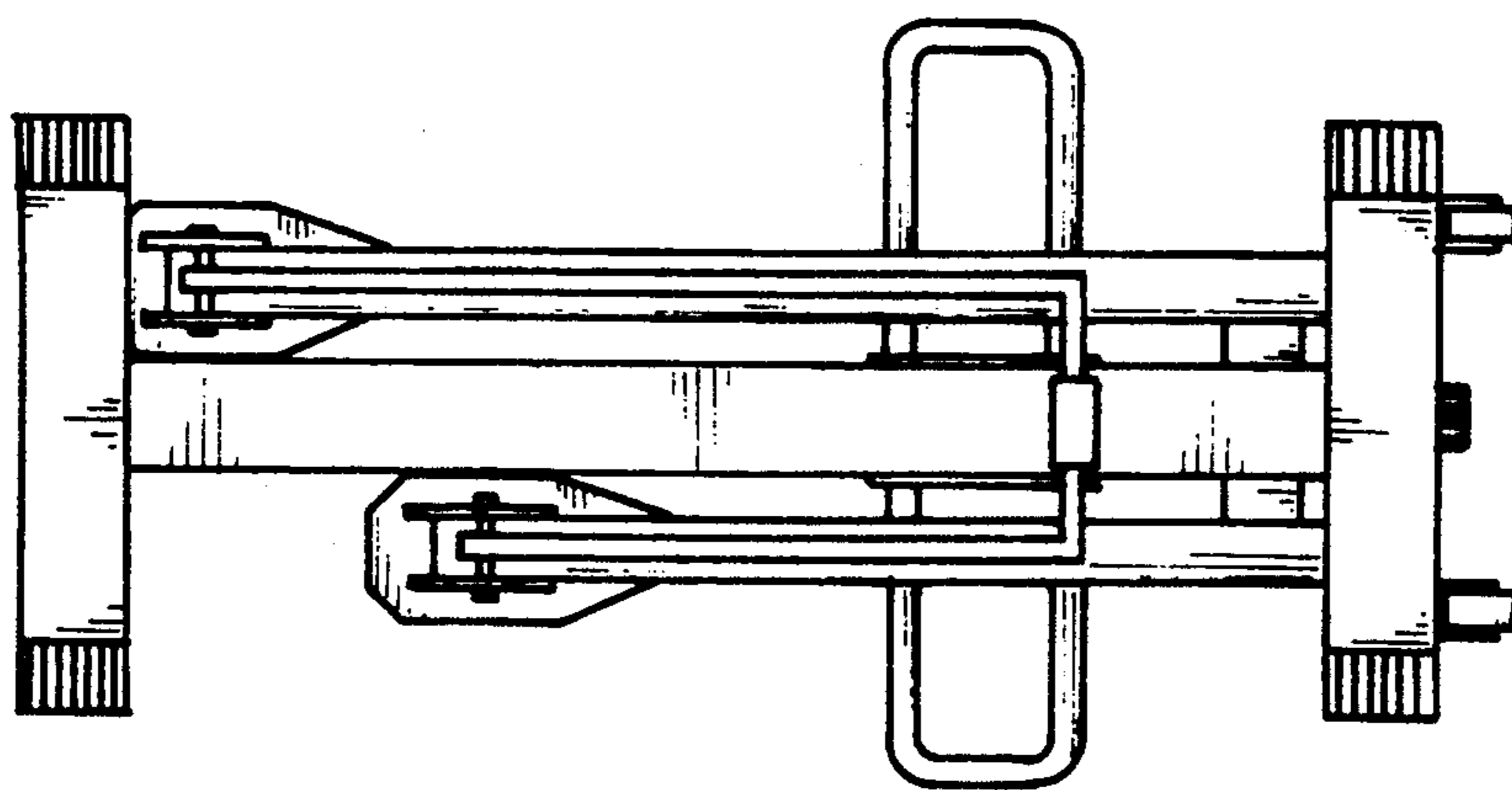


FIG. 5

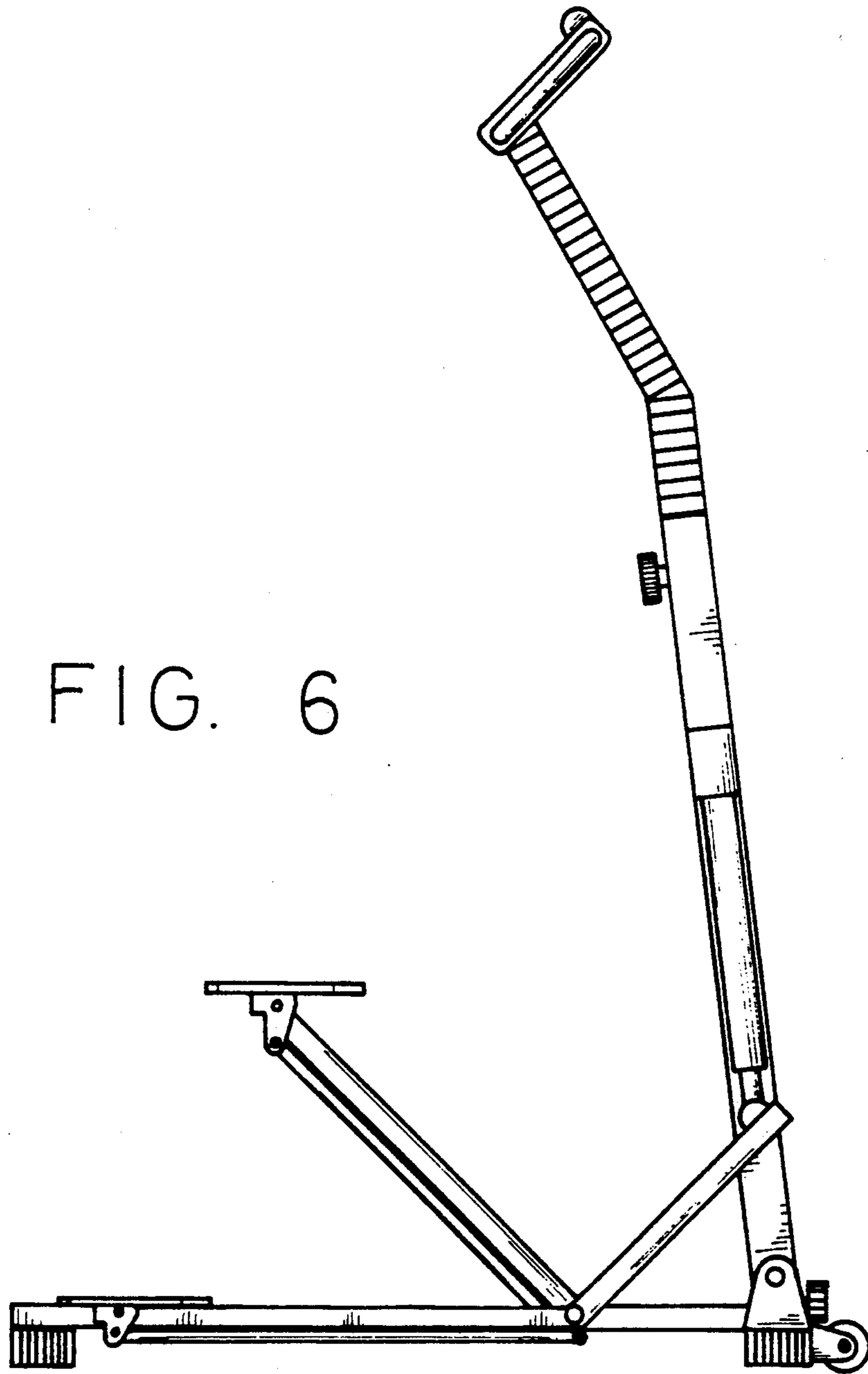


FIG. 6

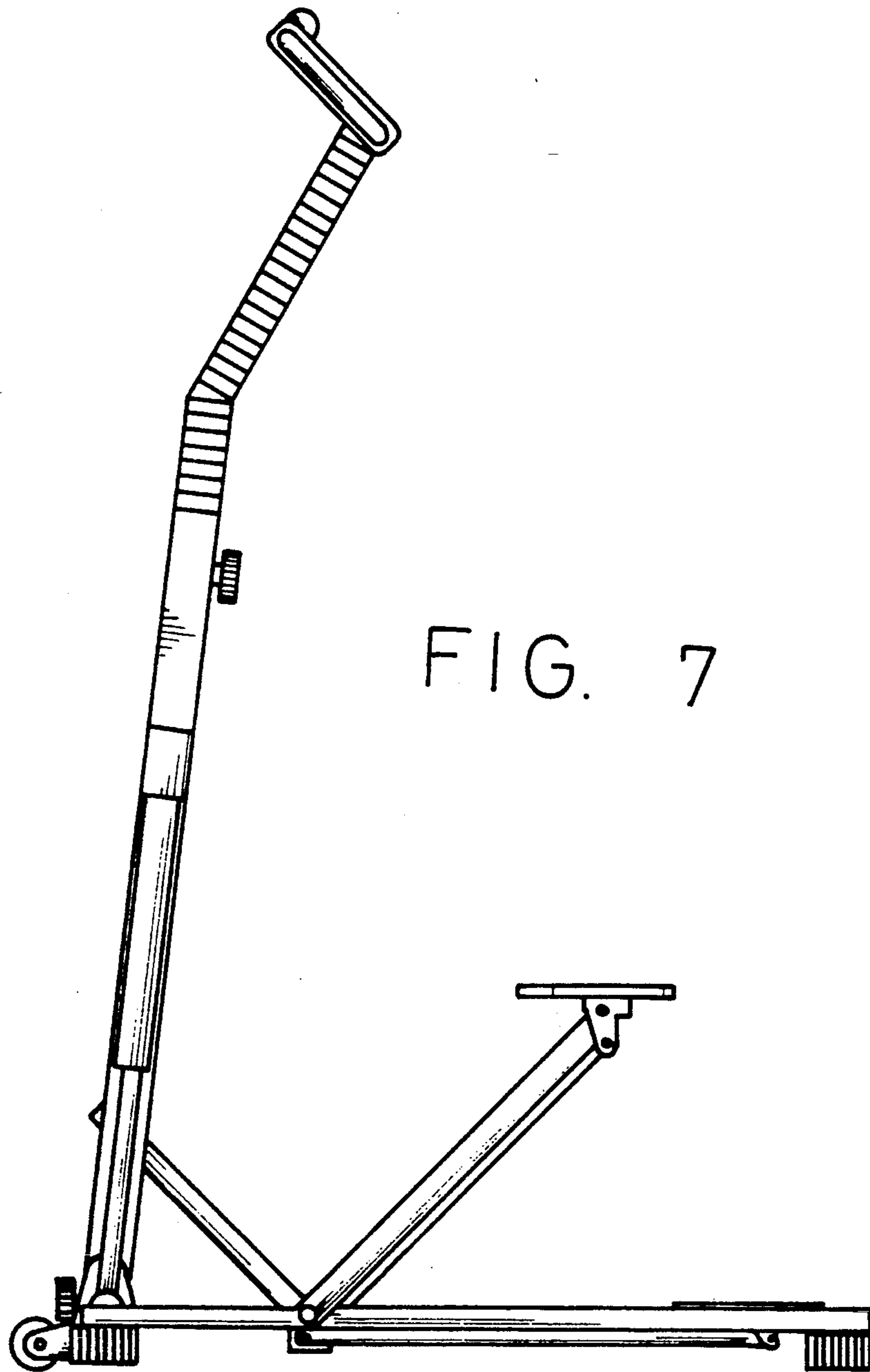


FIG. 7