



US00D330048S

United States Patent [19]

[11] Patent Number: **Des. 330,048**

Cheung et al.

[45] Date of Patent: **** Oct. 6, 1992**

[54] **ELECTRONIC EDUCATIONAL GAME HOUSING**

D. 317,759 6/1991 Azima D14/106
D. 319,223 8/1991 Pierce et al. D14/106

[75] Inventors: **David Cheung, New Territories; Yiu H. Wai, Kowloon, both of Hong Kong**

OTHER PUBLICATIONS

1987 Video Technology catalog excerpt, pp. 8, 9.

[73] Assignee: **Video Technology Industries, Inc., Wheeling, Ill.**

Primary Examiner—Wallace R. Burke
Assistant Examiner—Freda S. Nunn
Attorney, Agent, or Firm—Dick and Harris

[**] Term: **14 Years**

[57] CLAIM

[21] Appl. No.: **525,182**

The ornamental design for an electronic educational game housing, as shown and described.

[22] Filed: **May 17, 1990**

DESCRIPTION

[30] Foreign Application Priority Data

Jan. 23, 1990 [GB] United Kingdom 2004202

[52] U.S. Cl. **D19/60; D14/106**

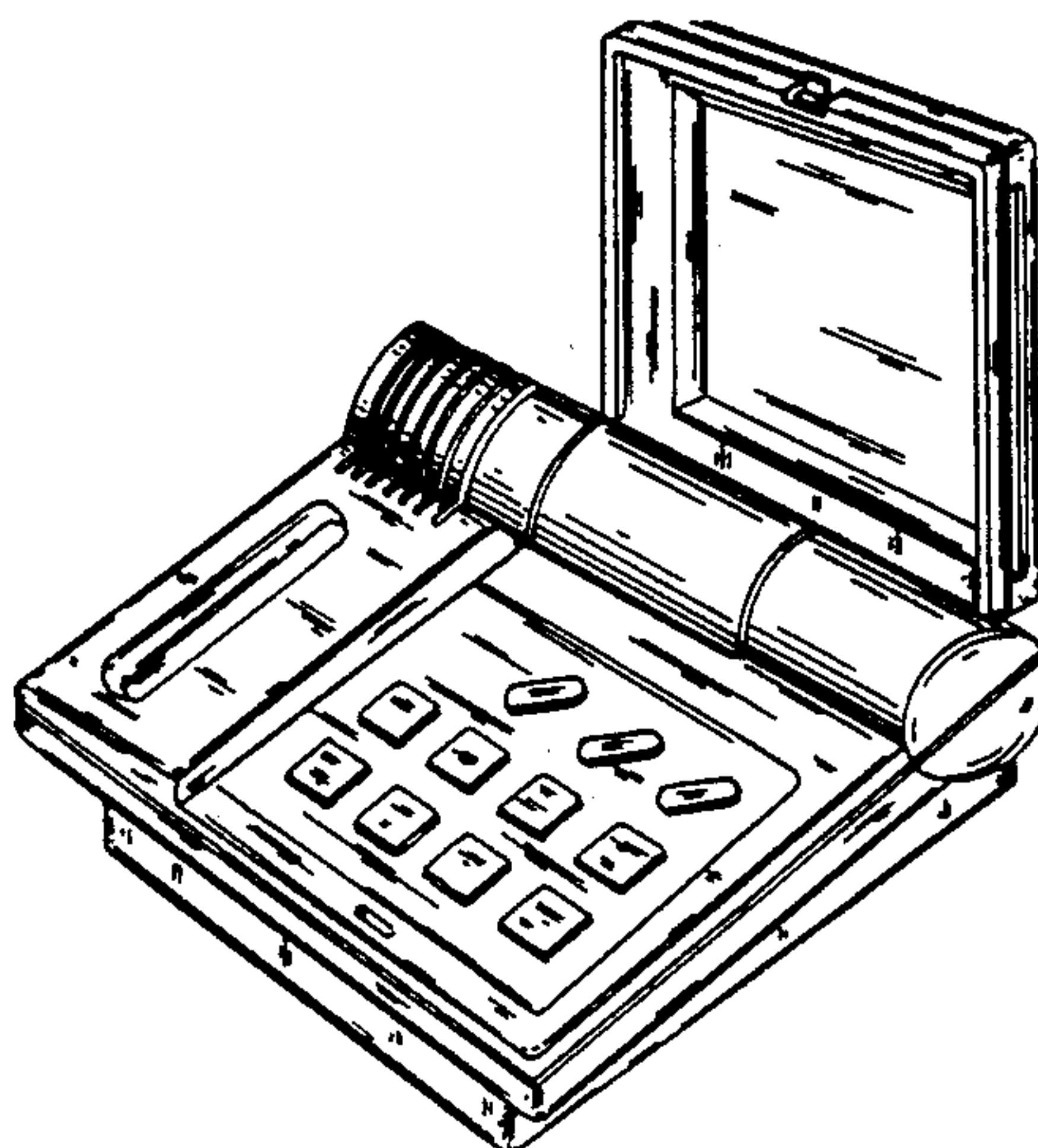
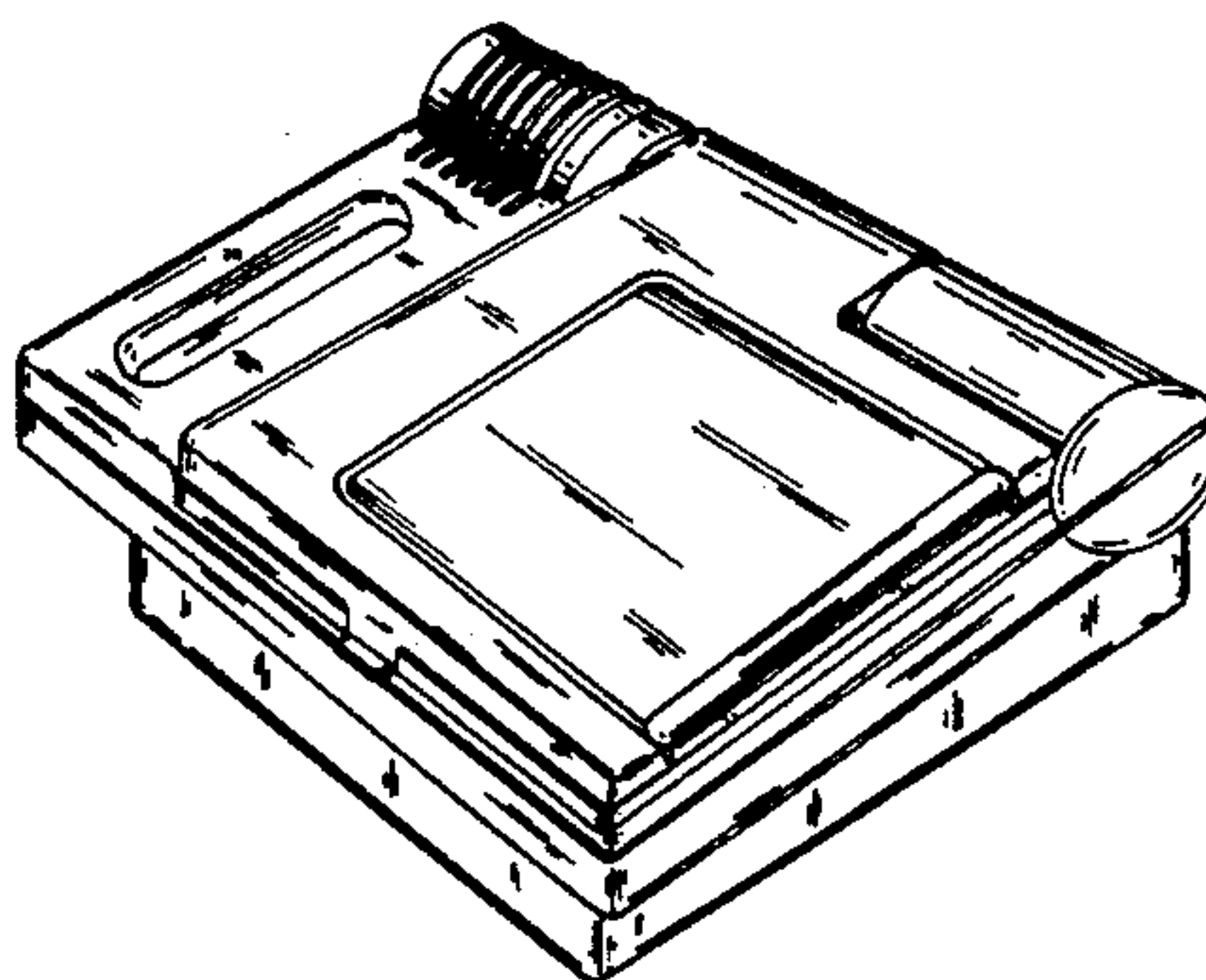
[58] Field of Search D14/100, 101, 105, 106, D14/115, 247; D18/1, 7, 11, 12; D19/60, 62, 64; D21/13; 340/700, 706, 711, 712; 341/22, 23; 235/145 A, 145 R; 400/472, 473, 485, 488, 489, 486, 493.1, 494, 693; 364/706-709.09, 900

FIG. 1 is a top plan view of an electronic educational game housing showing our new design;
FIG. 2 is a front elevational view thereof;
FIG. 3 is a rear elevational view thereof;
FIG. 4 is a left side elevational view thereof;
FIG. 5 is a right side elevational view thereof;
FIG. 6 is a bottom plan view thereof;
FIG. 7 is a slightly reduced top front and right side perspective view thereof;
FIG. 8 is a slightly reduced top front and right side perspective view thereof in the opened position;
FIG. 9 is a top plan view thereof;
FIG. 10 is a front elevational view thereof;
FIG. 11 is a rear elevational view thereof;
FIG. 12 is a left side elevational view thereof; and,
FIG. 13 is a right side elevational view thereof.

[56] References Cited

U.S. PATENT DOCUMENTS

D. 271,029 10/1983 Nagel et al. D19/60
D. 273,594 4/1984 Lovejoy D19/60
D. 307,004 4/1990 Azima D14/106
D. 308,510 6/1990 Cheung D7/139
D. 311,908 11/1990 Molyneaux D14/106



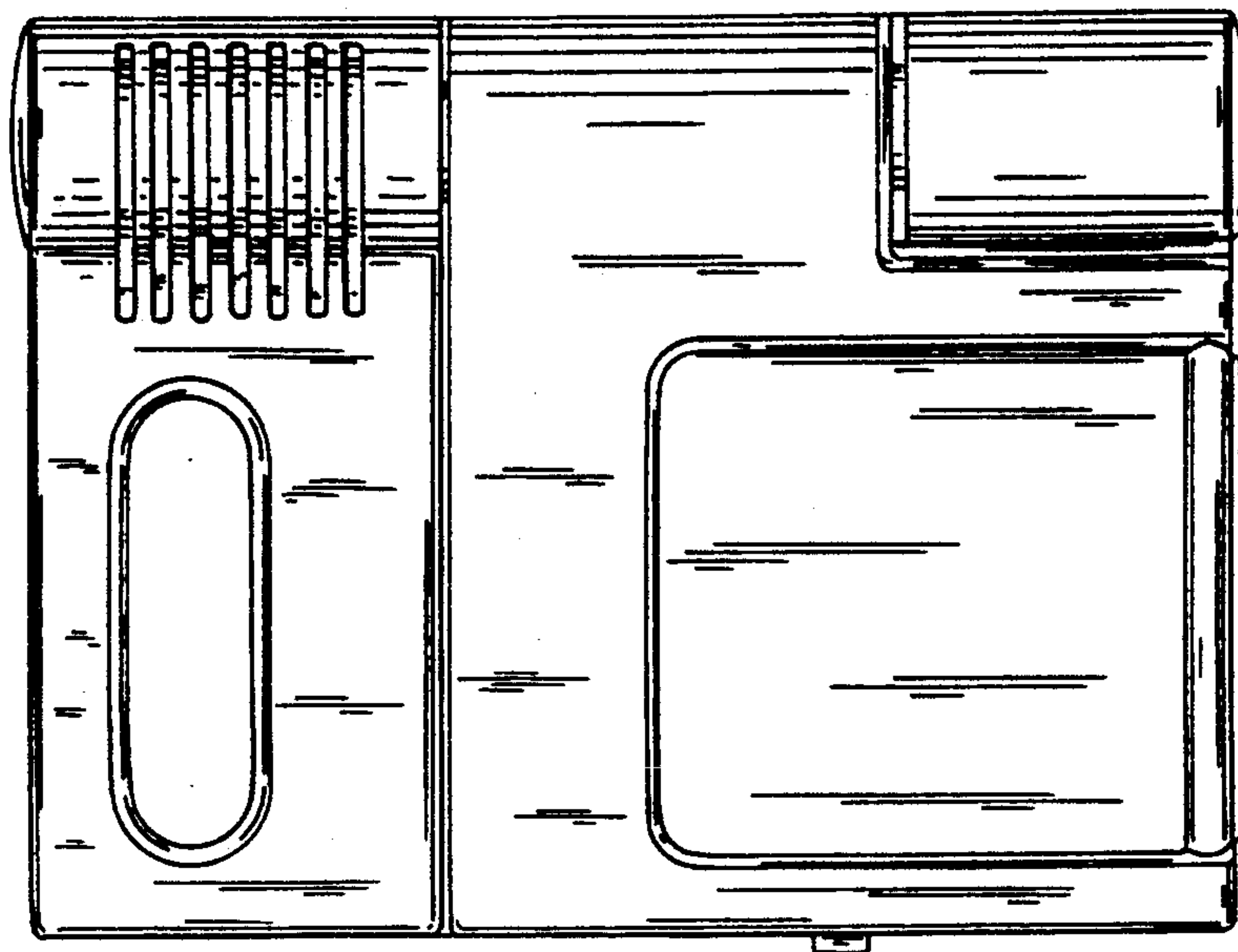


FIG. 1

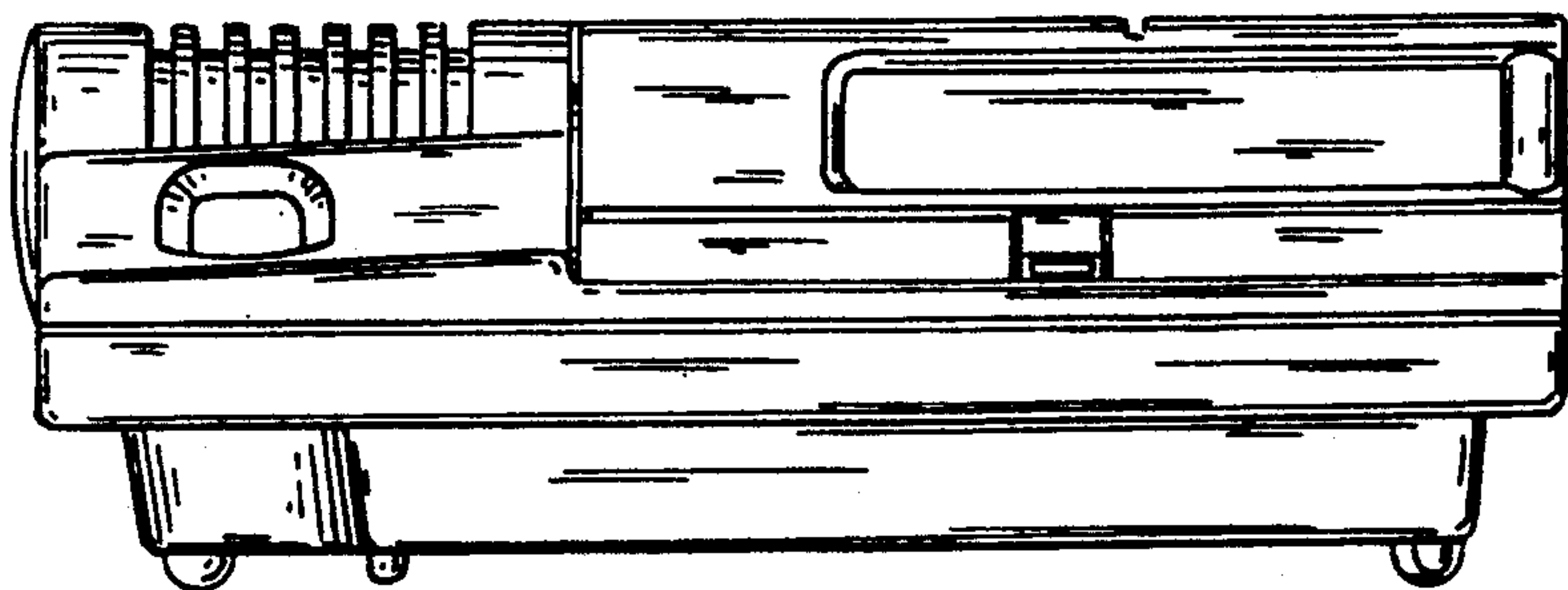


FIG. 2

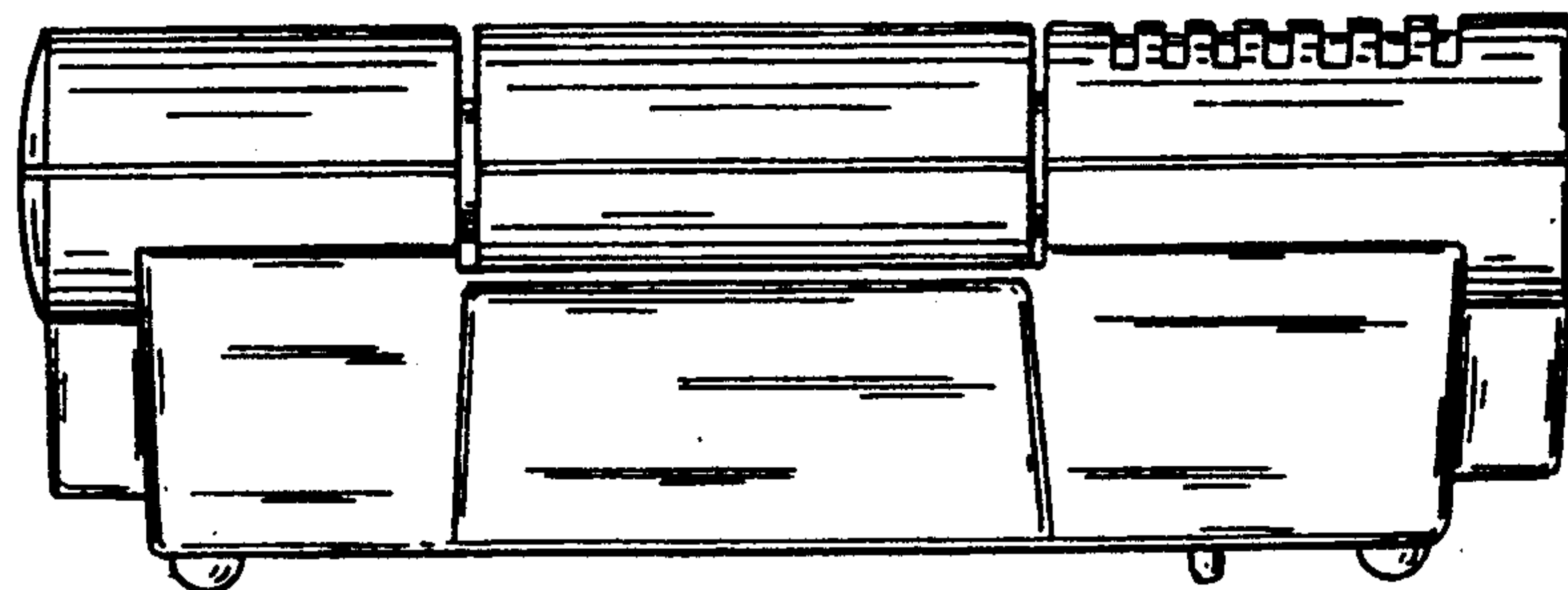


FIG. 3

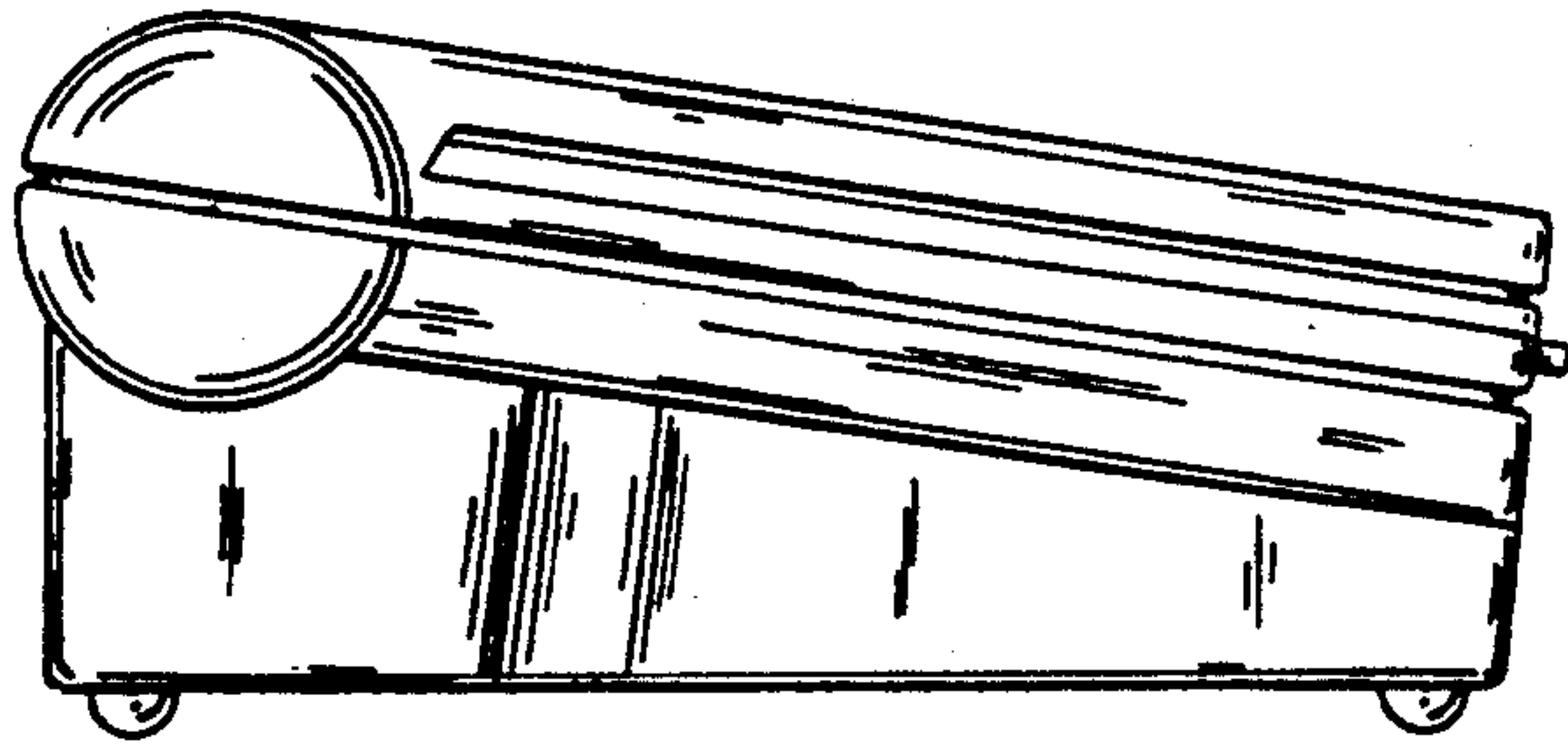


FIG. 4

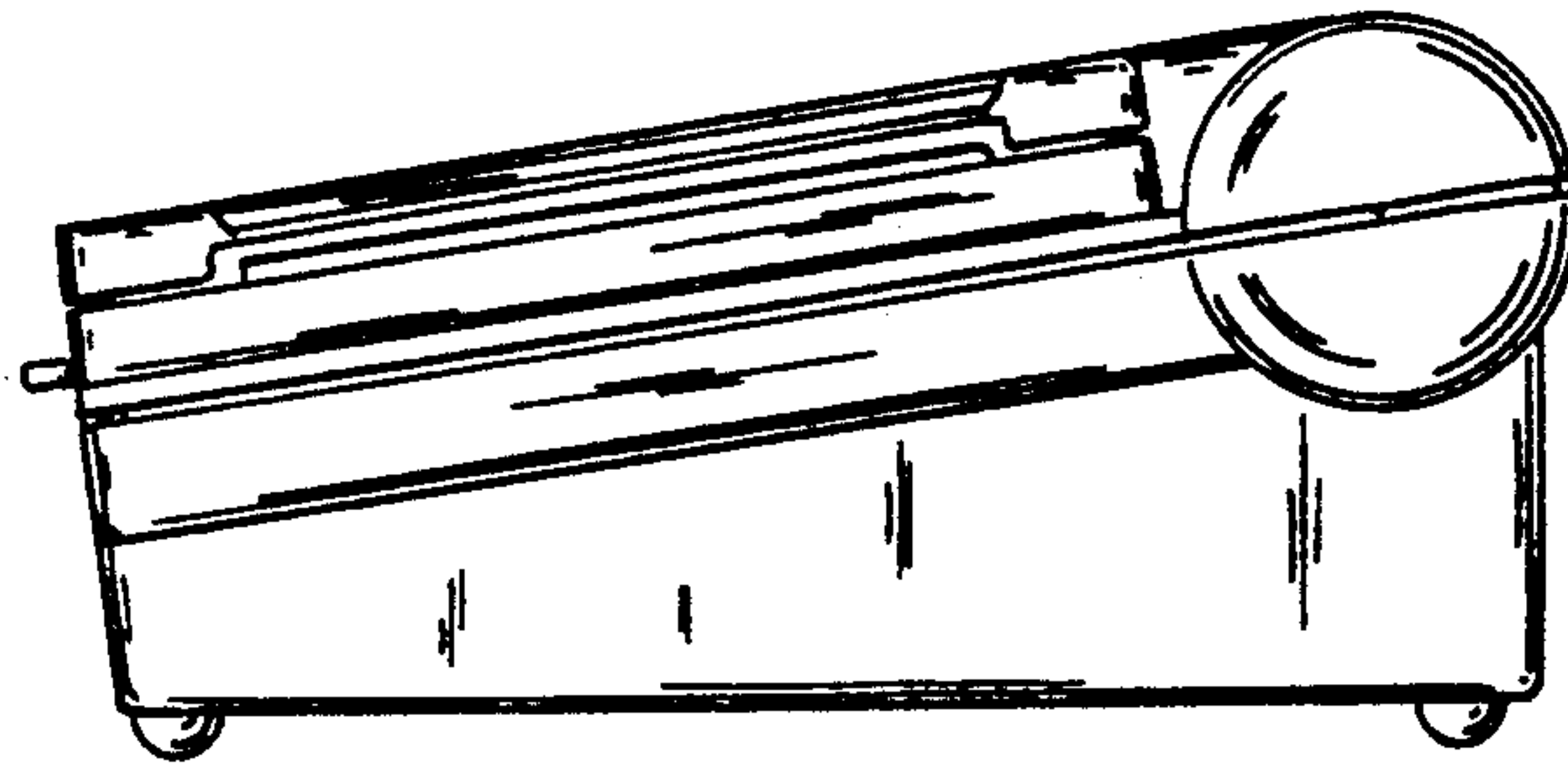


FIG. 5

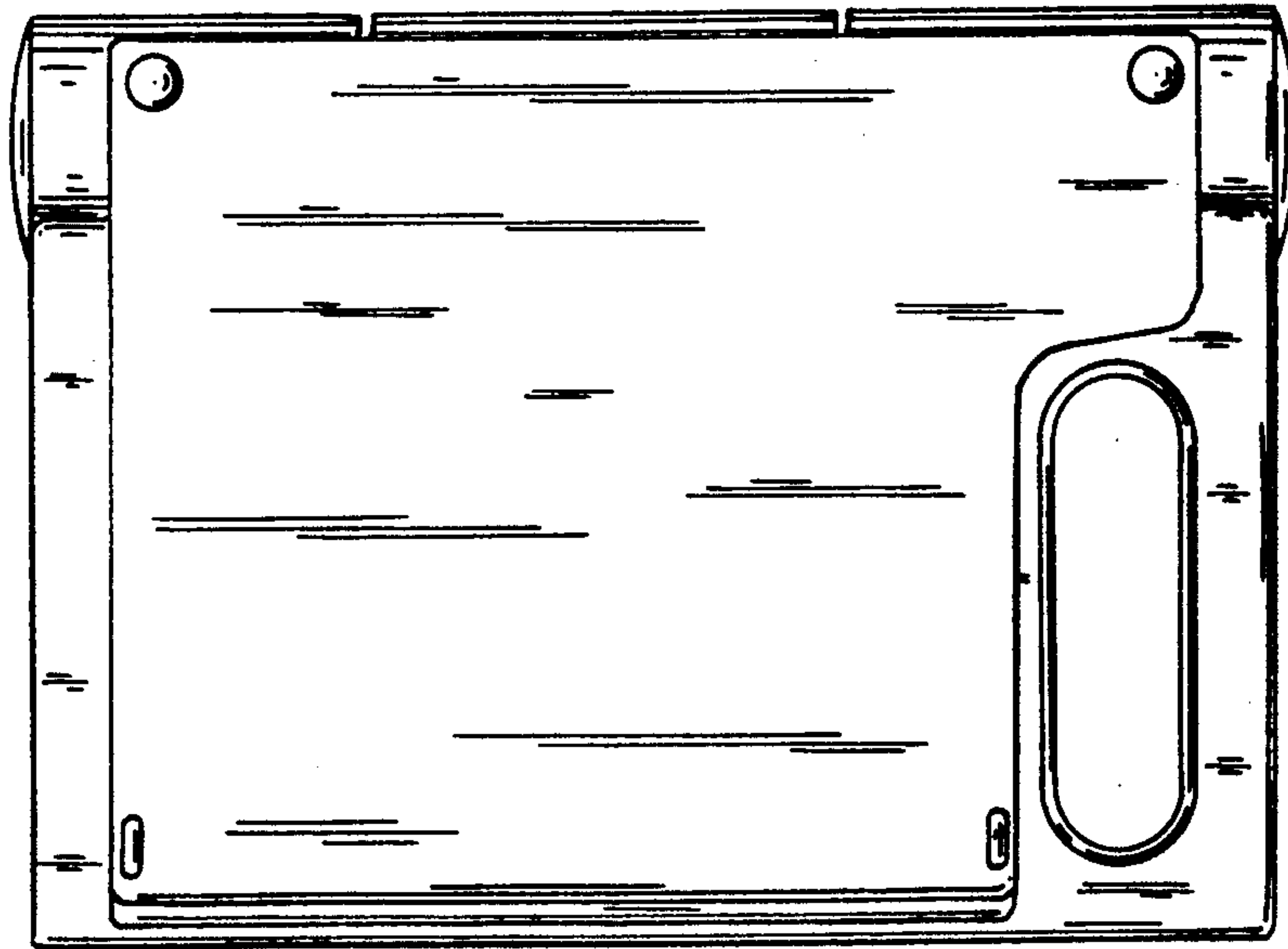


FIG. 6

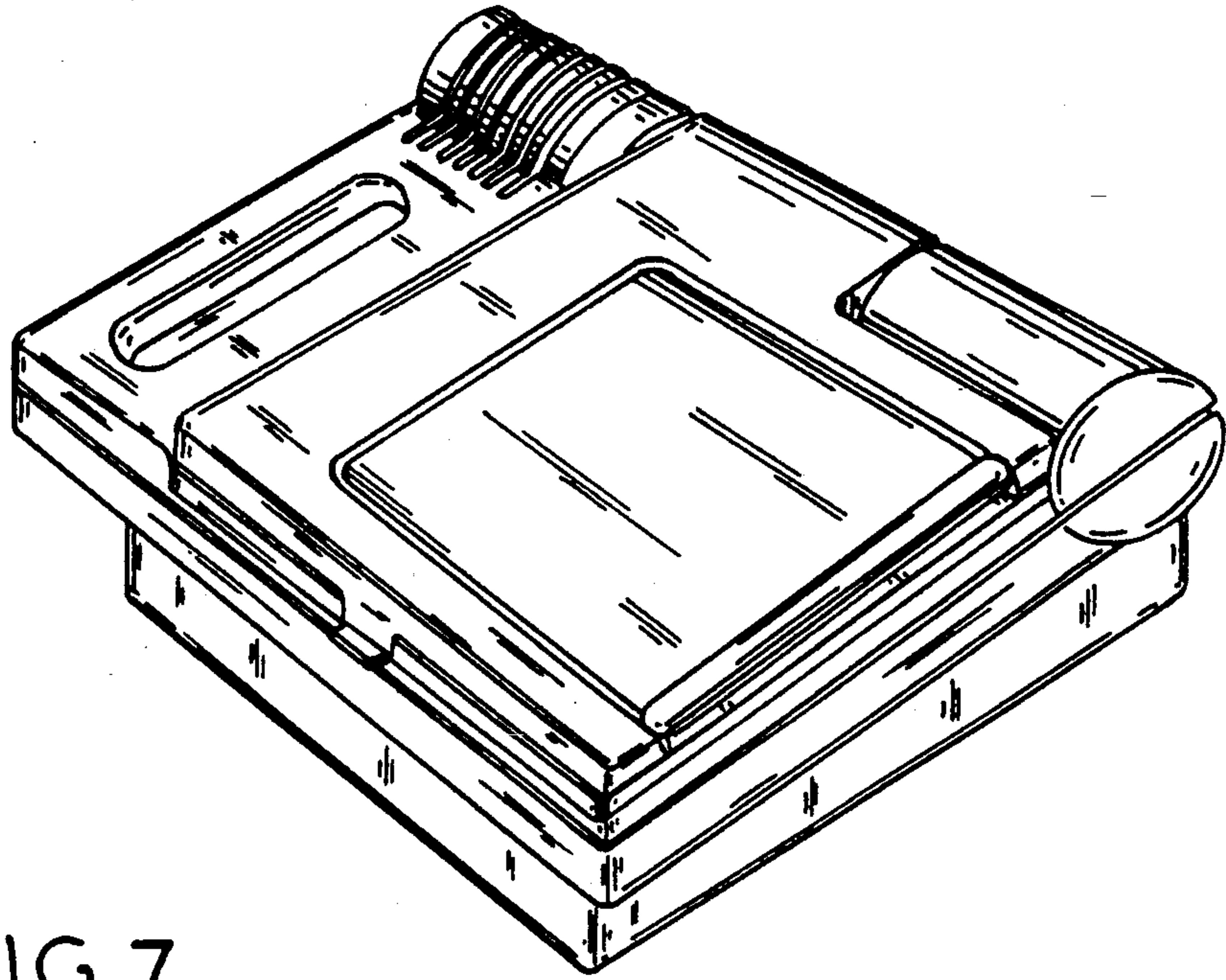


FIG. 7

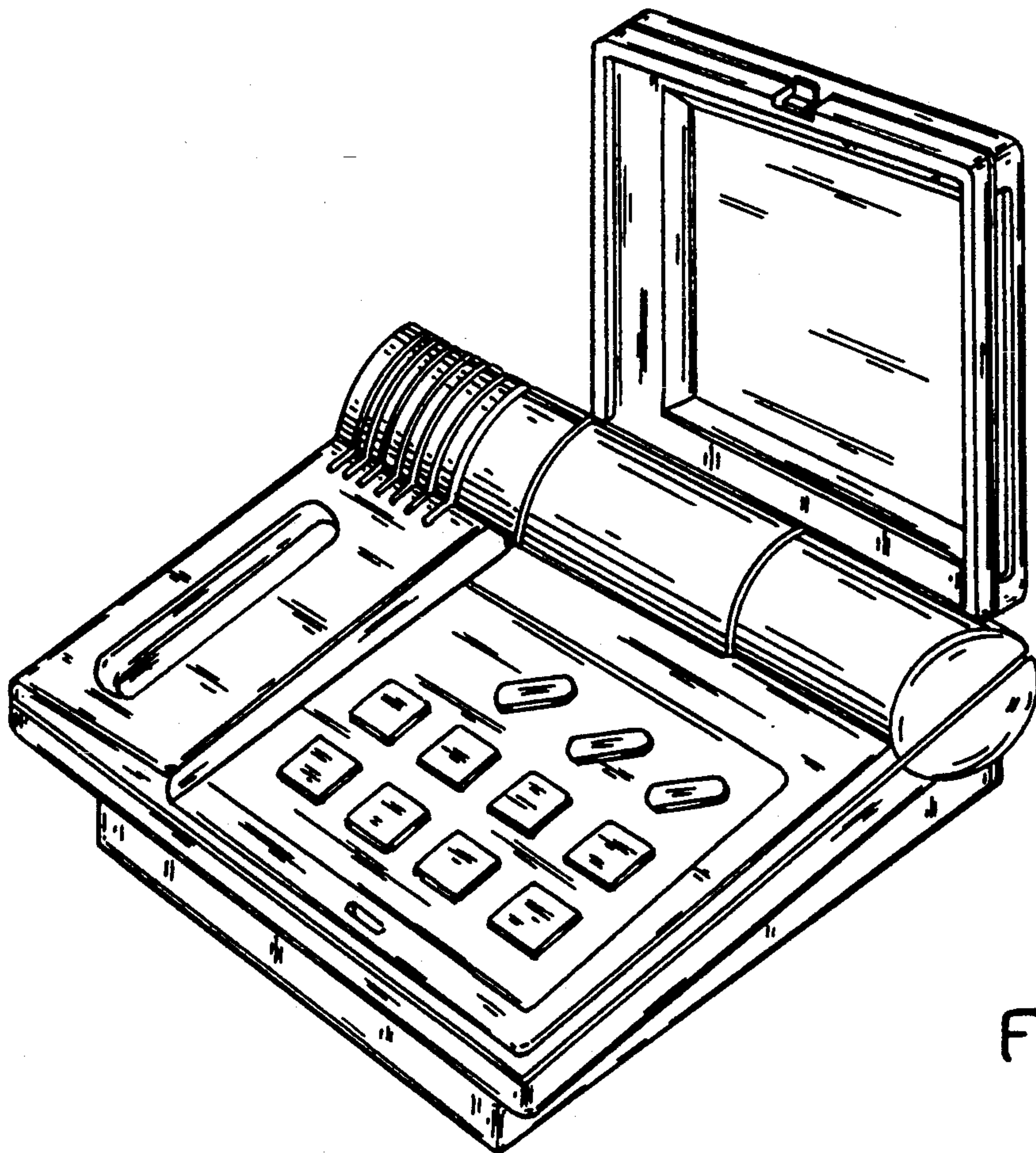


FIG. 8

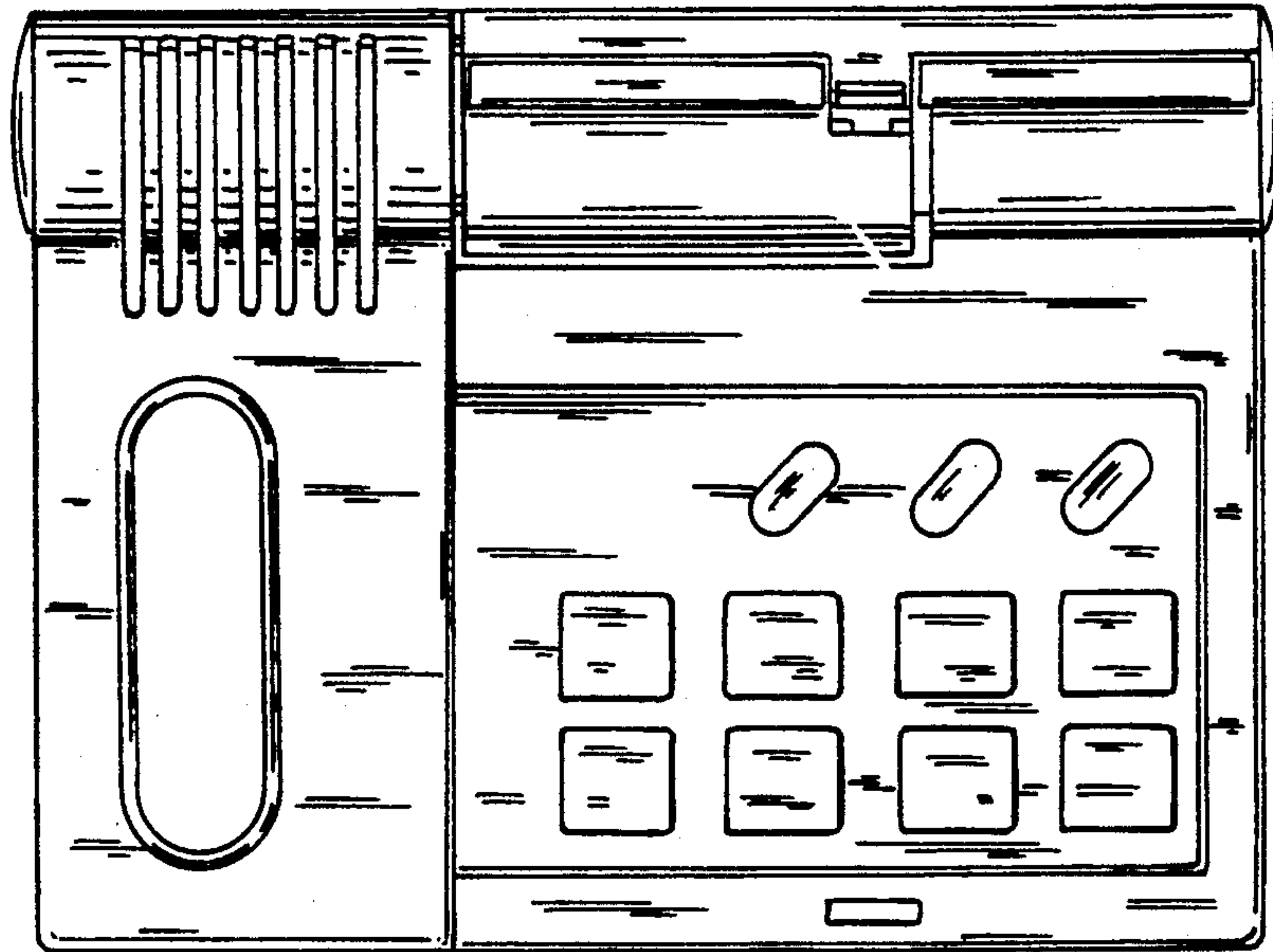


FIG. 9

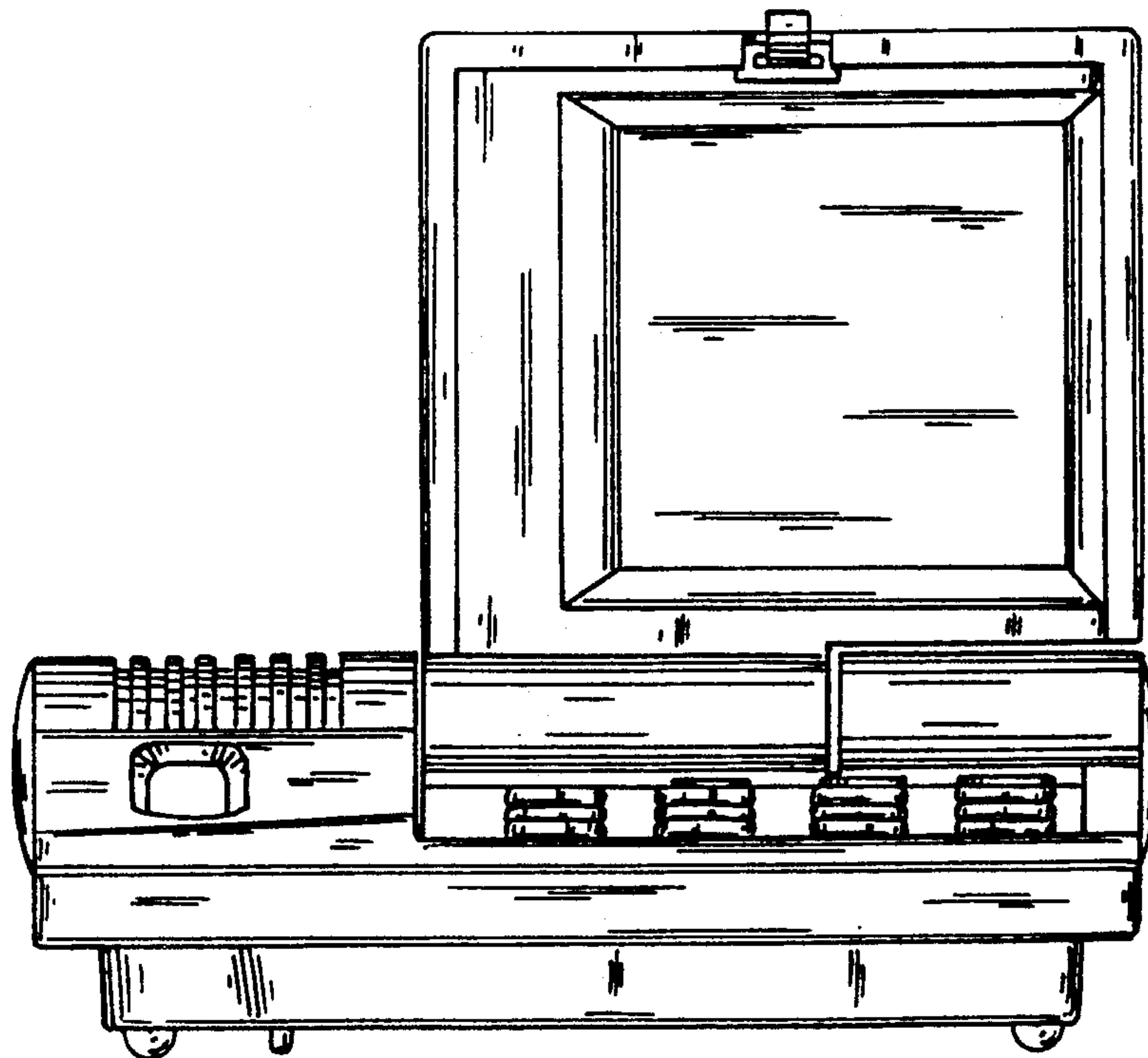


FIG. 10

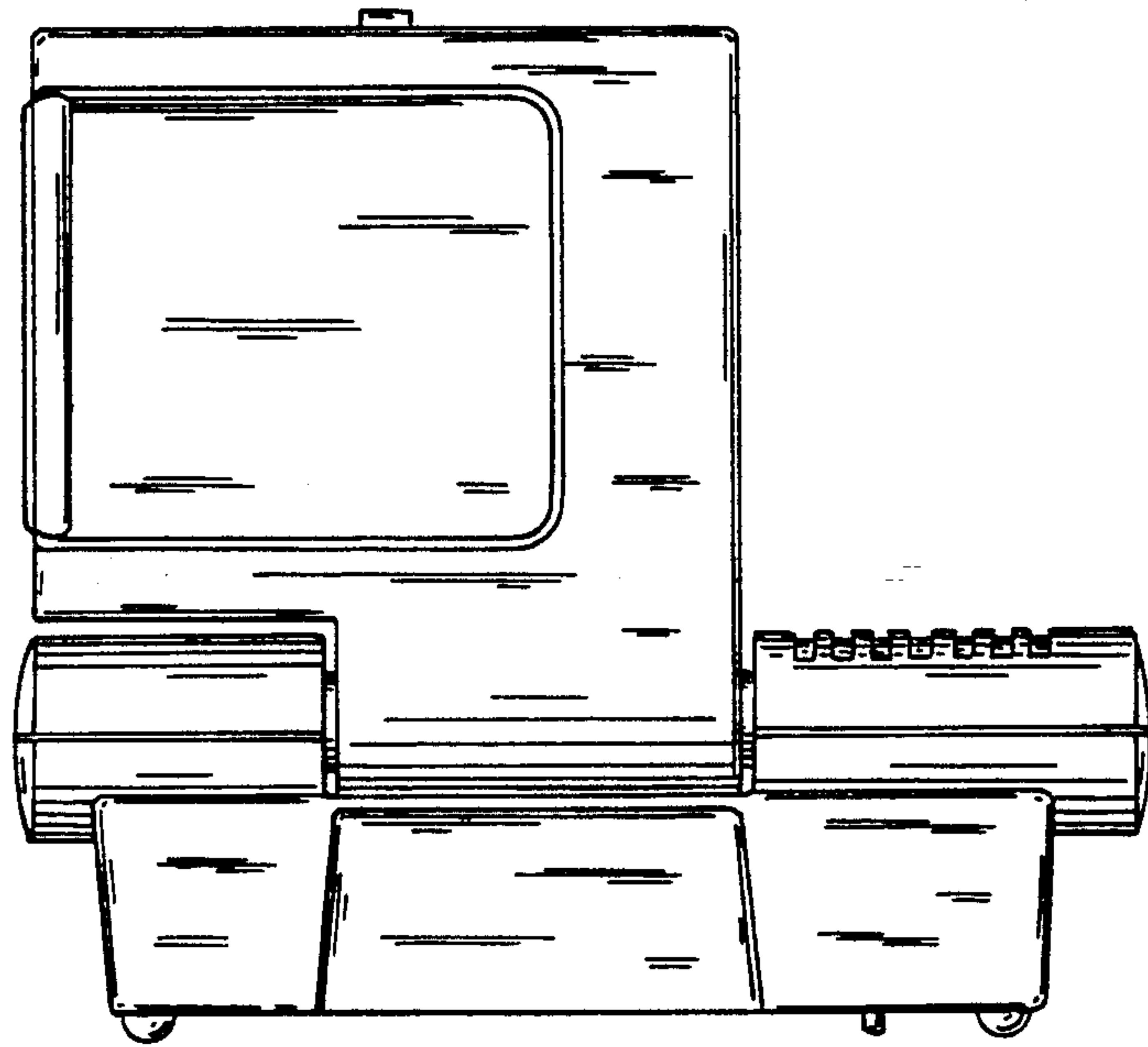


FIG. 11

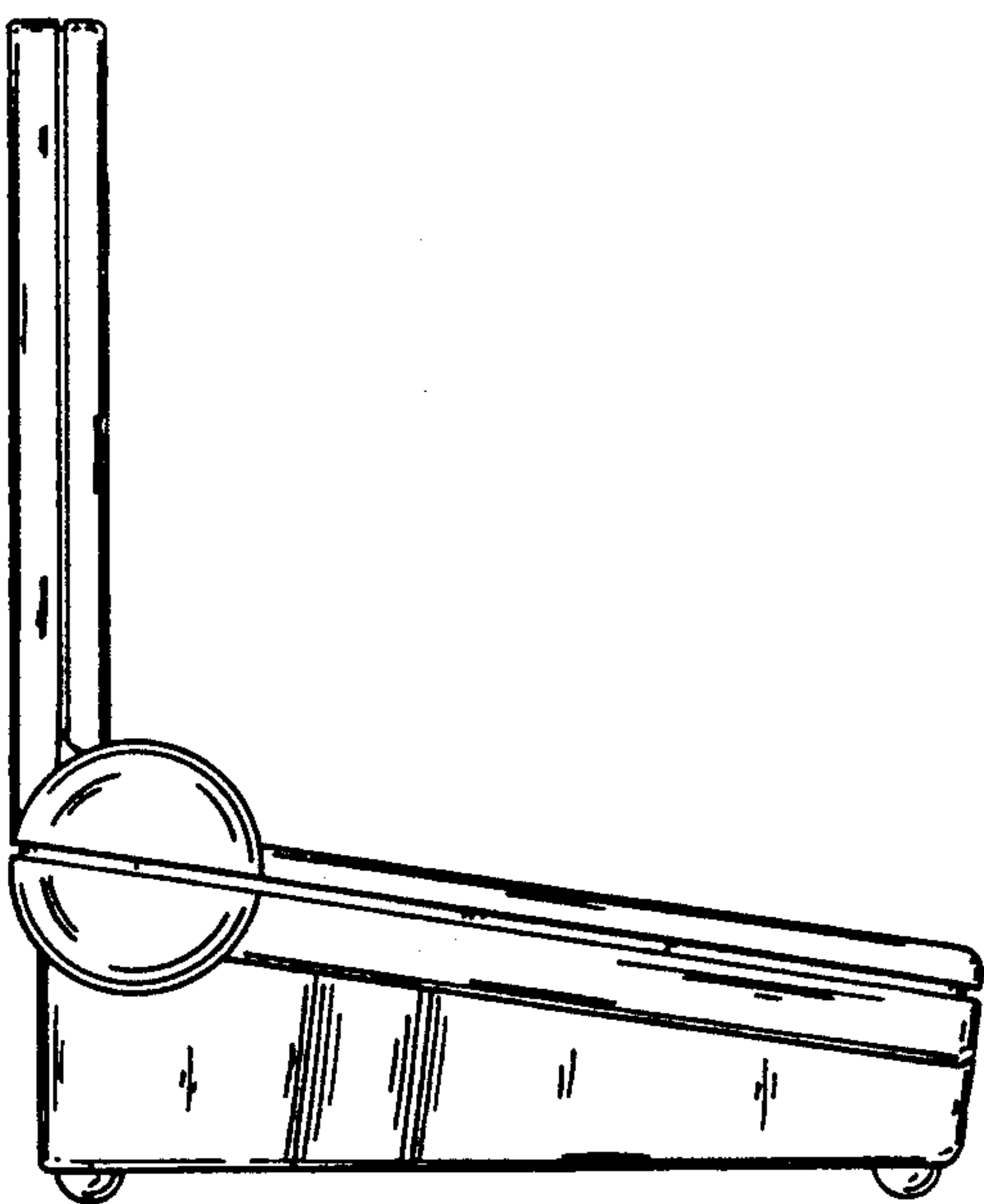


FIG. 12

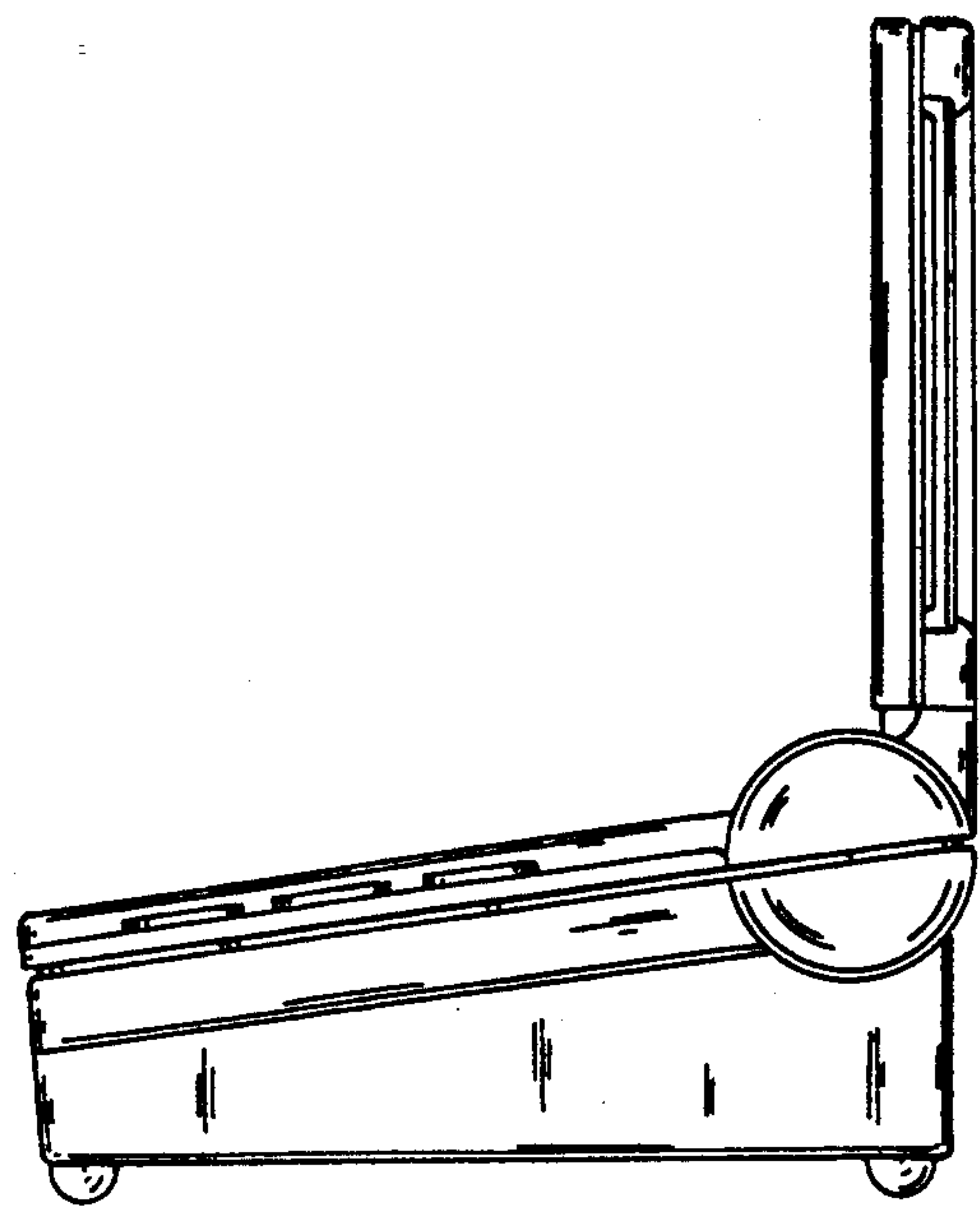


FIG. 13