



US00D330044S

# United States Patent [19]

[11] Patent Number: **Des. 330,044**

Egly et al.

[45] Date of Patent: **\*\* Oct. 6, 1992**

[54] **ADJUSTABLE PRINTER STAND**

[56] **References Cited**

[75] Inventors: **Robert A. Egly**, 31 Belcourt South  
30994, Newport Beach, Calif. 92660;  
**Patrick Sullivan**, Orange, Calif.

**U.S. PATENT DOCUMENTS**

D. 290,719	7/1987	Judd	.....	D18/59
D. 290,850	7/1987	Yon et al.	.....	D18/59
D. 300,147	3/1989	Meyer et al.	.....	D6/474
D. 303,988	10/1989	Buchweitz, Jr. et al.	.....	D18/59
D. 313,614	1/1991	Hassel et al.	.....	D18/59
4,938,447	7/1990	Schriner	.....	248/676

[73] Assignee: **Robert A. Egly**, Newport Beach,  
Calif.

*Primary Examiner*—A. Hugo Word  
*Assistant Examiner*—CathyAnne MacCormac  
*Attorney, Agent, or Firm*—George F. Bethel; Patience  
K. Bethel

[\*\*] Term: **14 Years**

### [57] **CLAIM**

[21] Appl. No.: **540,511**

The new and ornamental design for an adjustable  
printer stand, as shown and described.

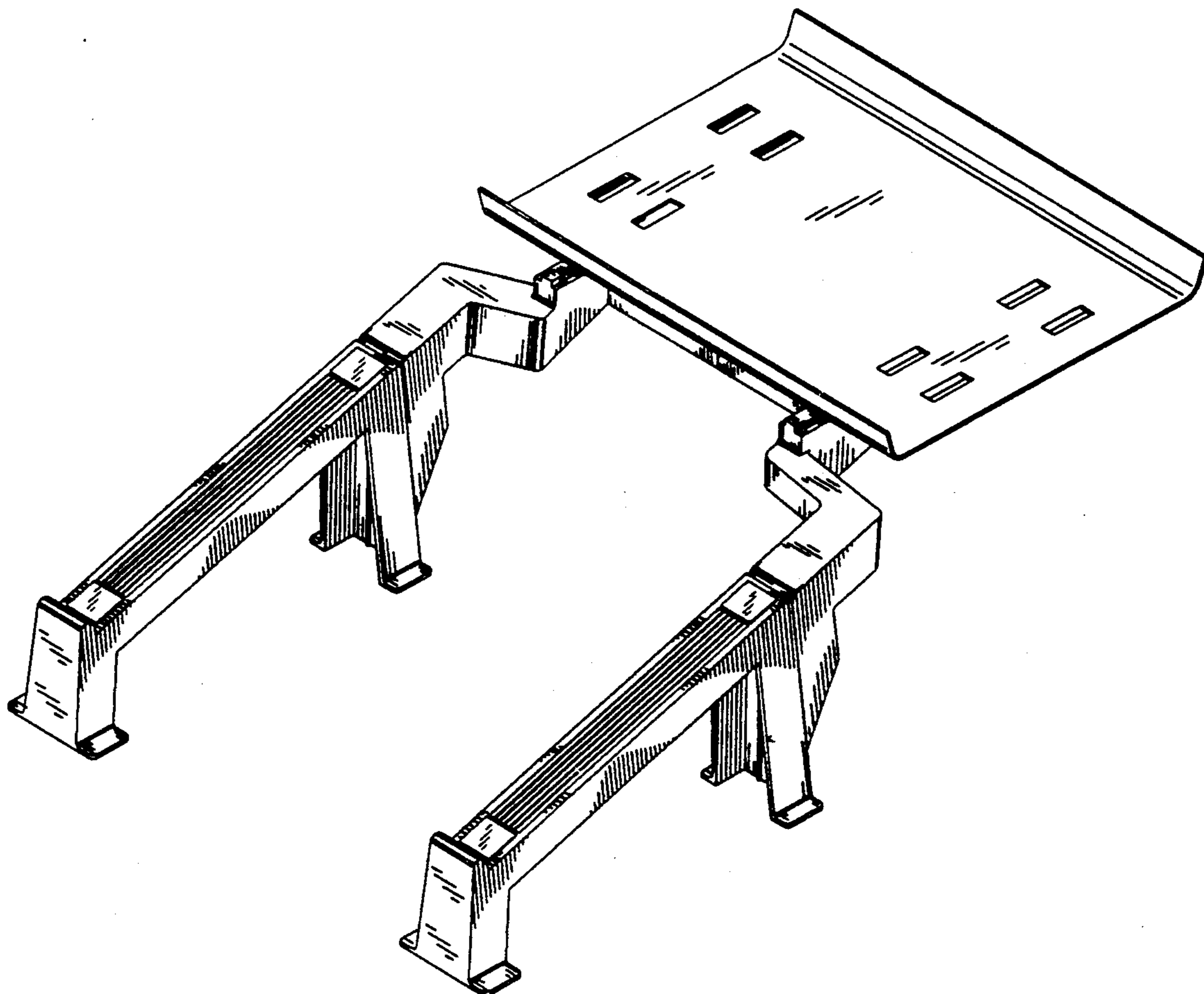
[22] Filed: **Jun. 19, 1990**

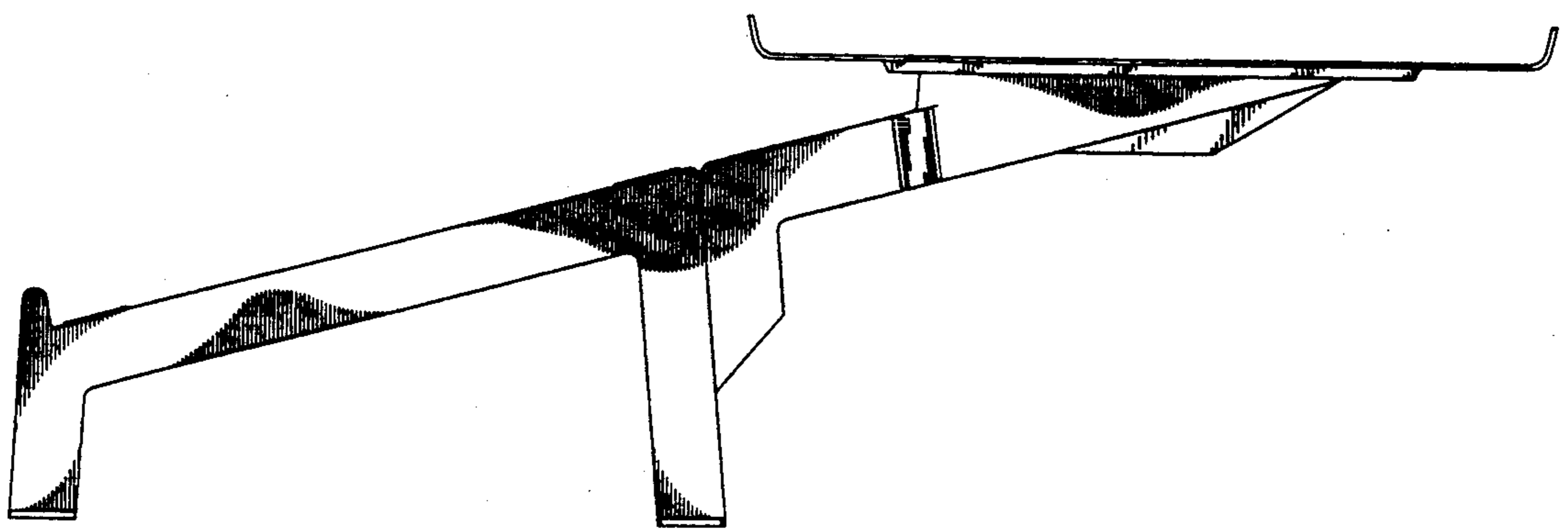
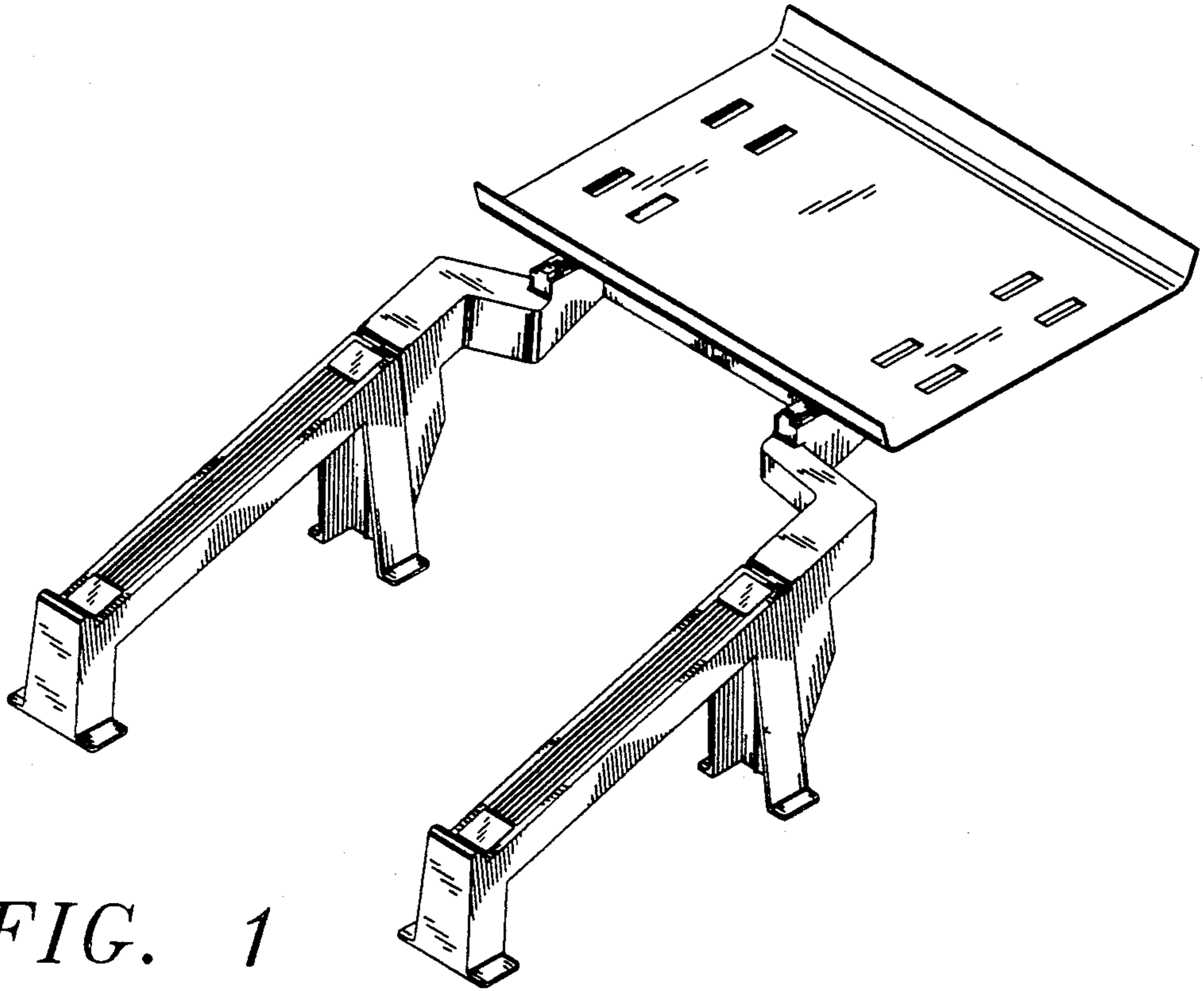
### **DESCRIPTION**

[52] U.S. Cl. .... **D18/59**

[58] Field of Search ..... **D15/141; D18/53, 59;**  
**D6/411-415, 419-420, 429-430, 436, 449,**  
**462-463, 474; D34/19-20; 211/11, 126;**  
**248/174, 176, 459-460, 676; 229/111-112;**  
**220/6; 206/214, 371, 505, 511, 561**

FIG. 1 is a top perspective view of an adjustable printer  
stand showing our new design;  
FIG. 2 is a right side elevational view thereof;  
FIG. 3 is a left side elevational view thereof;  
FIG. 4 is a rear view thereof; and,  
FIG. 5 is a bottom plan view thereof.





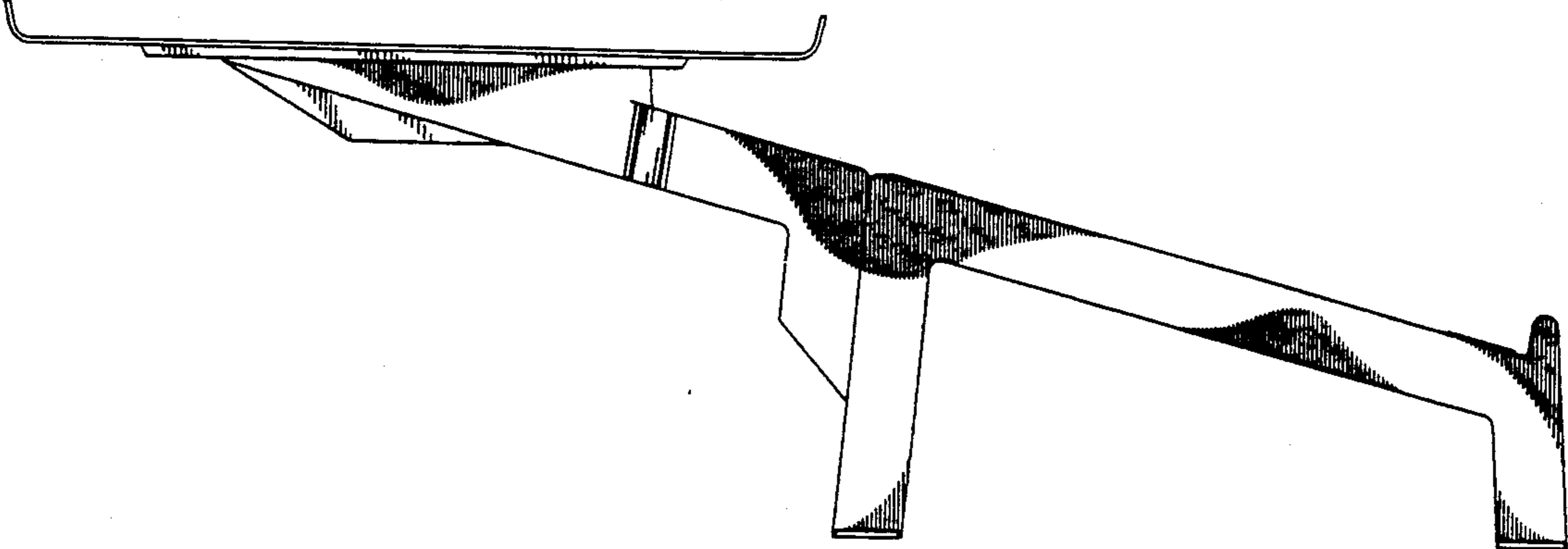


FIG. 3

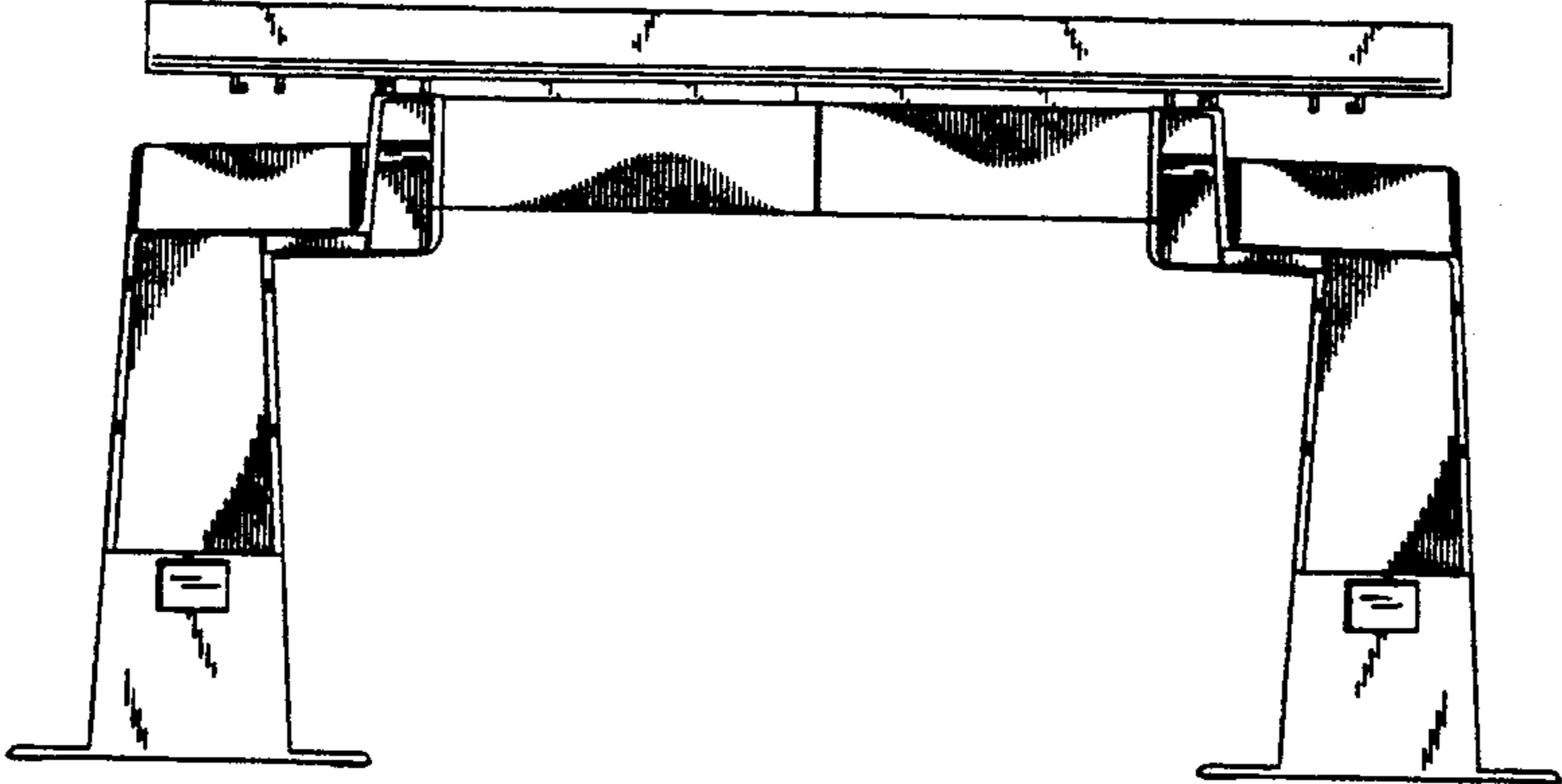


FIG. 4

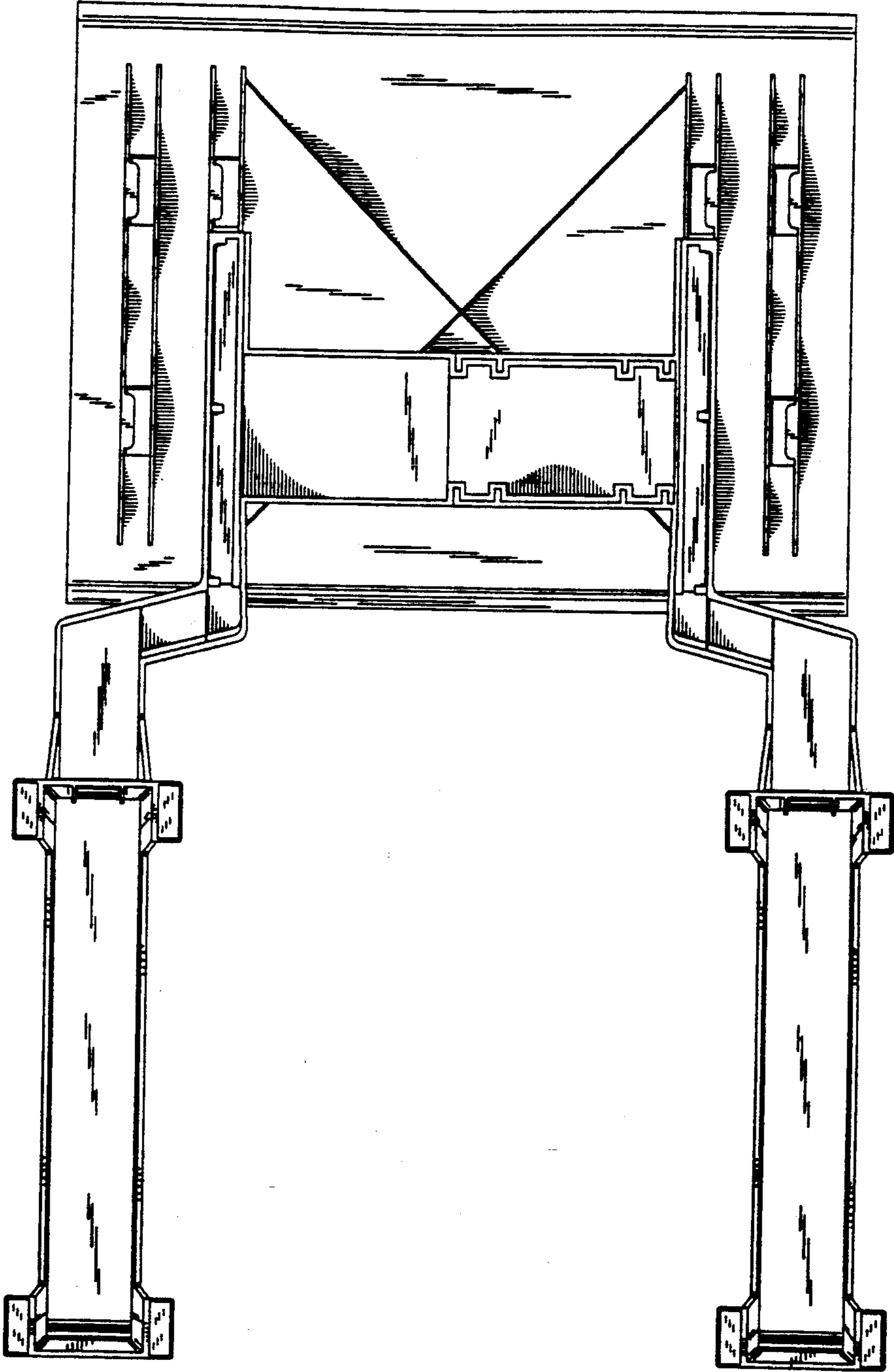


FIG. 5