



US00D330042S

# United States Patent [19]

Yamaguchi et al.

[11] Patent Number: **Des. 330,042**

[45] Date of Patent: **\*\* Oct. 6, 1992**

[54] **COMBINED WHITEBOARD AND PHOTOCOPIER**

[75] Inventors: **Hidehiko Yamaguchi, Ichikawa; Yoshihisa Hirano, Tokyo; Hiroshi Torikai, Matsudo, all of Japan**

[73] Assignee: **Plus Corporation, Tokyo, Japan**

[\*\*] Term: **14 Years**

[21] Appl. No.: **599,908**

[22] Filed: **Oct. 18, 1990**

[30] **Foreign Application Priority Data**

Aug. 27, 1990 [JP] Japan ..... 2-28713

[52] U.S. Cl. .... **D18/36; D19/52; D19/36**

[58] Field of Search ..... **D16/27, 30; D18/36; D19/52, 65, 36, 88, 95, 99, 100; 248/441.1, 454, 457, 458; 355/3 R, 5, 7; 434/85, 88**

[56] **References Cited**

### U.S. PATENT DOCUMENTS

D. 174,015 2/1955 Bosma ..... D19/52

D. 224,739	9/1972	Lamberson .....	D19/52 X
D. 300,041	2/1989	Kurozumi et al. ....	D18/36
D. 300,150	3/1989	Ishii .....	D18/36
D. 302,986	8/1989	Takai et al. ....	D19/52 X
4,667,254	5/1987	Araki et al. ....	D18/36 X
4,669,984	6/1987	Jones et al. ....	434/85
4,752,803	6/1988	Sakurai et al. ....	355/3 R

*Primary Examiner*—Nelson C. Holtje  
*Assistant Examiner*—Martha Thompson  
*Attorney, Agent, or Firm*—Darby & Darby

### [57] CLAIM

The ornamental design for a combined whiteboard and photocopier, as shown and described.

### DESCRIPTION

FIG. 1 is a front elevational view of a combined whiteboard and photocopier showing our new design; FIG. 2 is a left side elevational view, the right side being a mirror image thereof; FIG. 3 is a top plan view; FIG. 4 is a bottom plan view; FIG. 5 is a rear elevational view; and, FIG. 6 is a top, left front perspective view drawn to a reduced scale with respect to FIGS. 1 through 5.

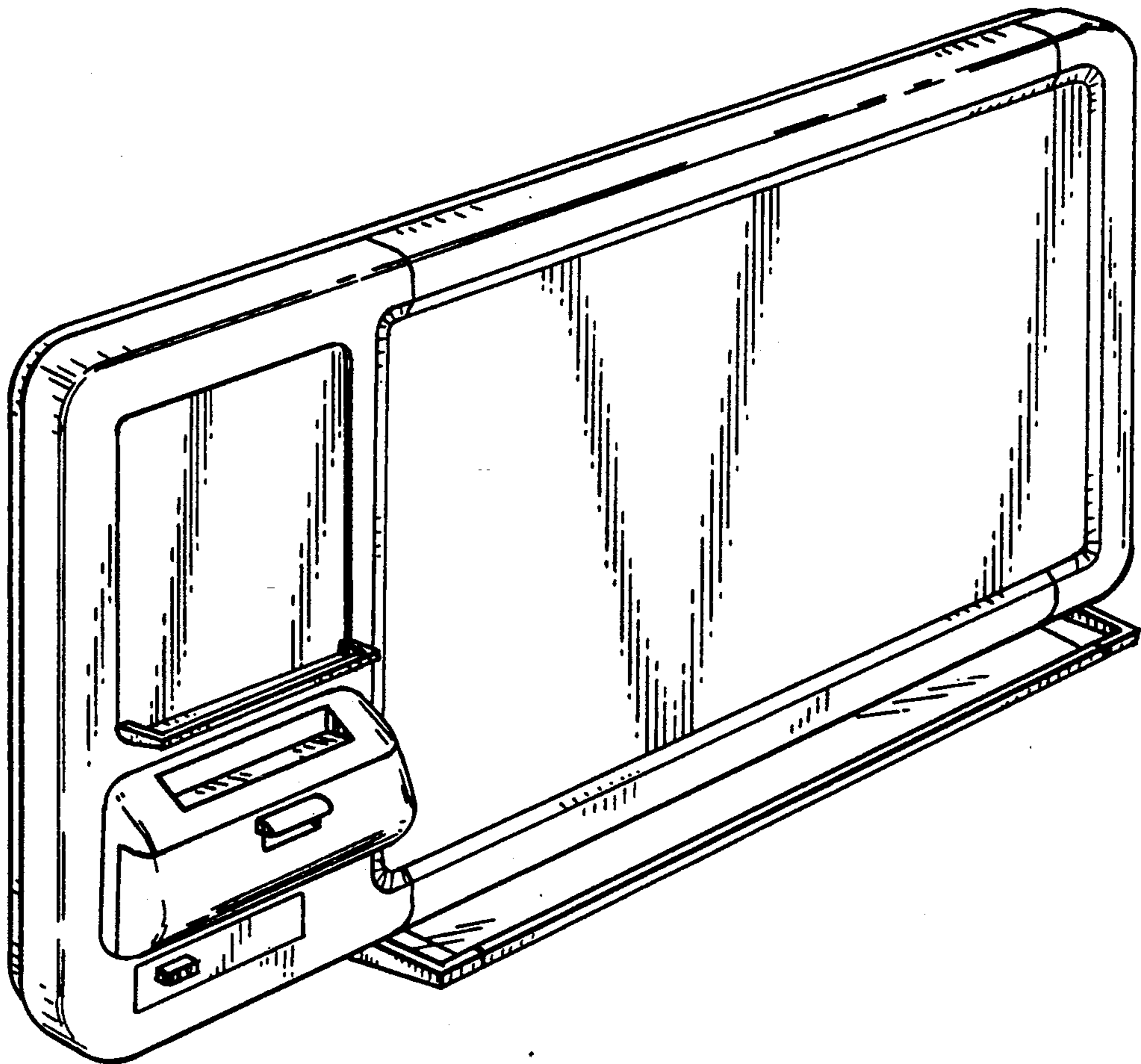


FIG. 3.

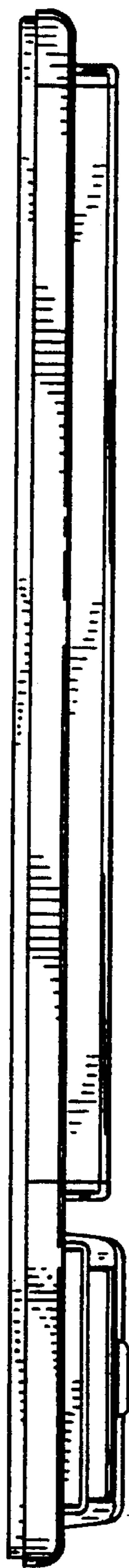


FIG. 1.

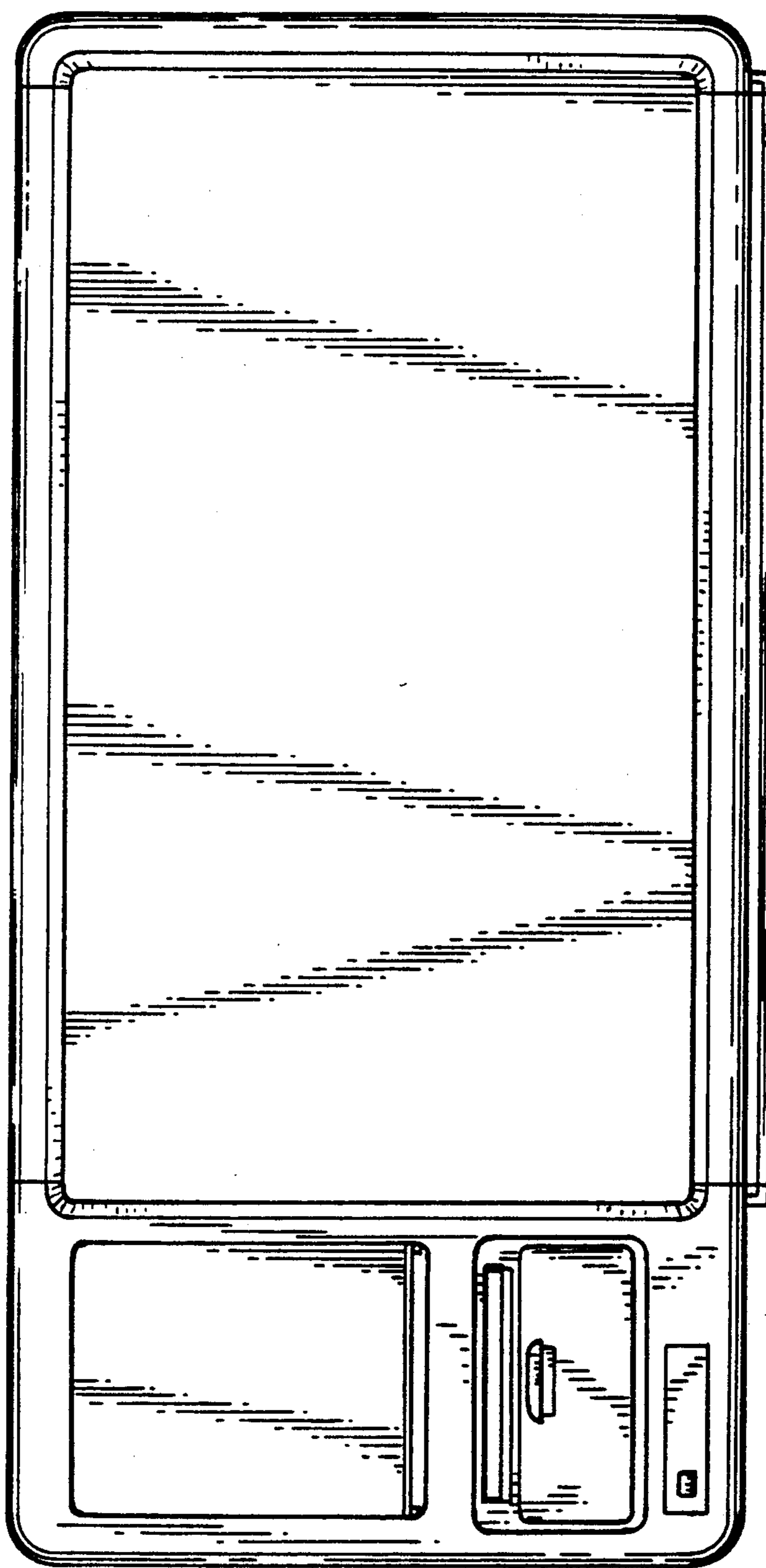
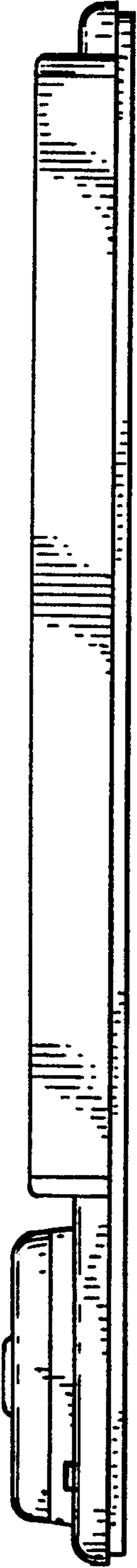


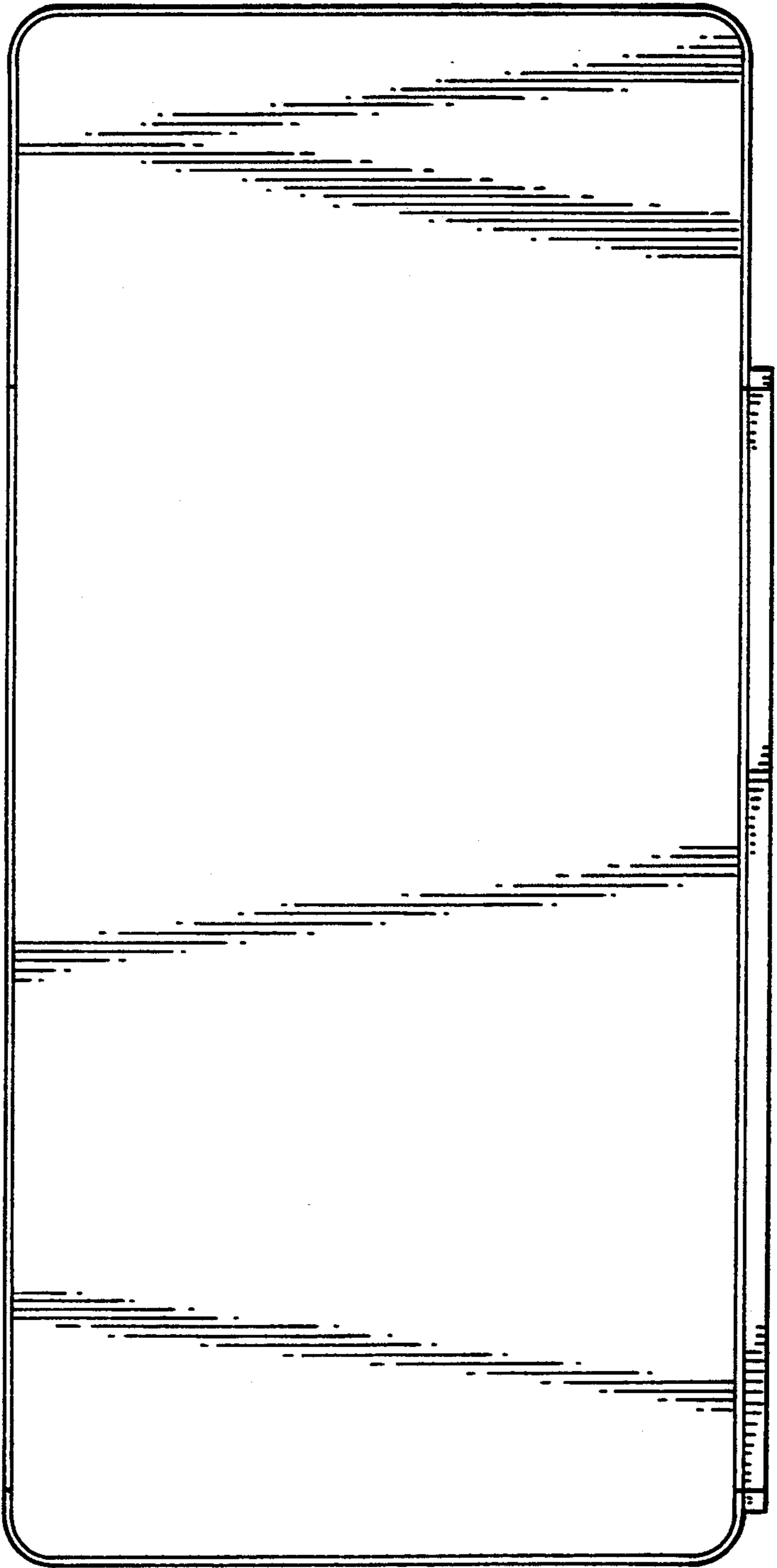
FIG. 2.



*FIG. 4.*



*FIG. 5.*



*FIG. 6.*

