



US00D330040S

United States Patent [19]

[11] Patent Number: **Des. 330,040**

Watanabe et al.

[45] Date of Patent: **** Oct. 6, 1992**

[54] OVER-HEAD PROJECTOR

[75] Inventors: **Toshihiko Watanabe; Iwao Itoh**, both of Osaka, Japan

[73] Assignee: **Mita Industrial Co., Ltd.**, Osaka, Japan

[**] Term: **14 Years**

[21] Appl. No.: **510,915**

[22] Filed: **Apr. 18, 1990**

[30] Foreign Application Priority Data

Oct. 27, 1989 [JP]	Japan	1-39385
[52] U.S. Cl.		D16/232
[58] Field of Search	D16/221, 232, 229, 233, D16/234; 353/66, 98, 99, 119, 122, DIG. 3, DIG. 4, DIG. 5-DIG. 6	

[56] References Cited

U.S. PATENT DOCUMENTS

D. 244,602	6/1977	Mango et al.	D16/232
D. 317,616	6/1991	Shiiba	D16/232
4,795,252	1/1989	Kyhl	353/DIG. 5
4,811,110	3/1989	Ohmura et al.	353/119
4,938,587	7/1990	Namioka et al.	353/66

FOREIGN PATENT DOCUMENTS

1-140137	6/1989	Japan	353/119
----------	--------	-------	---------

OTHER PUBLICATIONS

Gallant Inc. Catalog, Apr. 3, 1968 p. 5 (3M Brand Model 88 Projector).

Primary Examiner—Bernard Ansher
Assistant Examiner—Adir Aronovich
Attorney, Agent, or Firm—Sughrue, Mion, Zinn, Macpeak & Seas

[57] CLAIM

The ornamental design for an over-head projector, as shown and described.

DESCRIPTION

FIG. 1 is a top, front, perspective view of an overhead projector in an operational position; the cover member has been omitted for ease of illustration, showing our new design;

FIG. 2 is a top, front and right side view thereof with the cover member in a folded position;

FIG. 3 is a right side elevational view of the projector shown in FIG. 1;

FIG. 4 is a left side elevational view thereof;

FIG. 5 is a front elevational view thereof;

FIG. 6 is a rear elevational view thereof;

FIG. 7 is a top plan view thereof;

FIG. 8 is a bottom plan view thereof;

FIG. 9 is a right side elevational view of the projector shown in FIG. 2;

FIG. 10 is a left side elevational view thereof;

FIG. 11 is a front elevational view thereof;

FIG. 12 is a rear elevational view thereof;

FIG. 13 is a top plan view thereof; and,

FIG. 14 is a bottom plan view thereof.

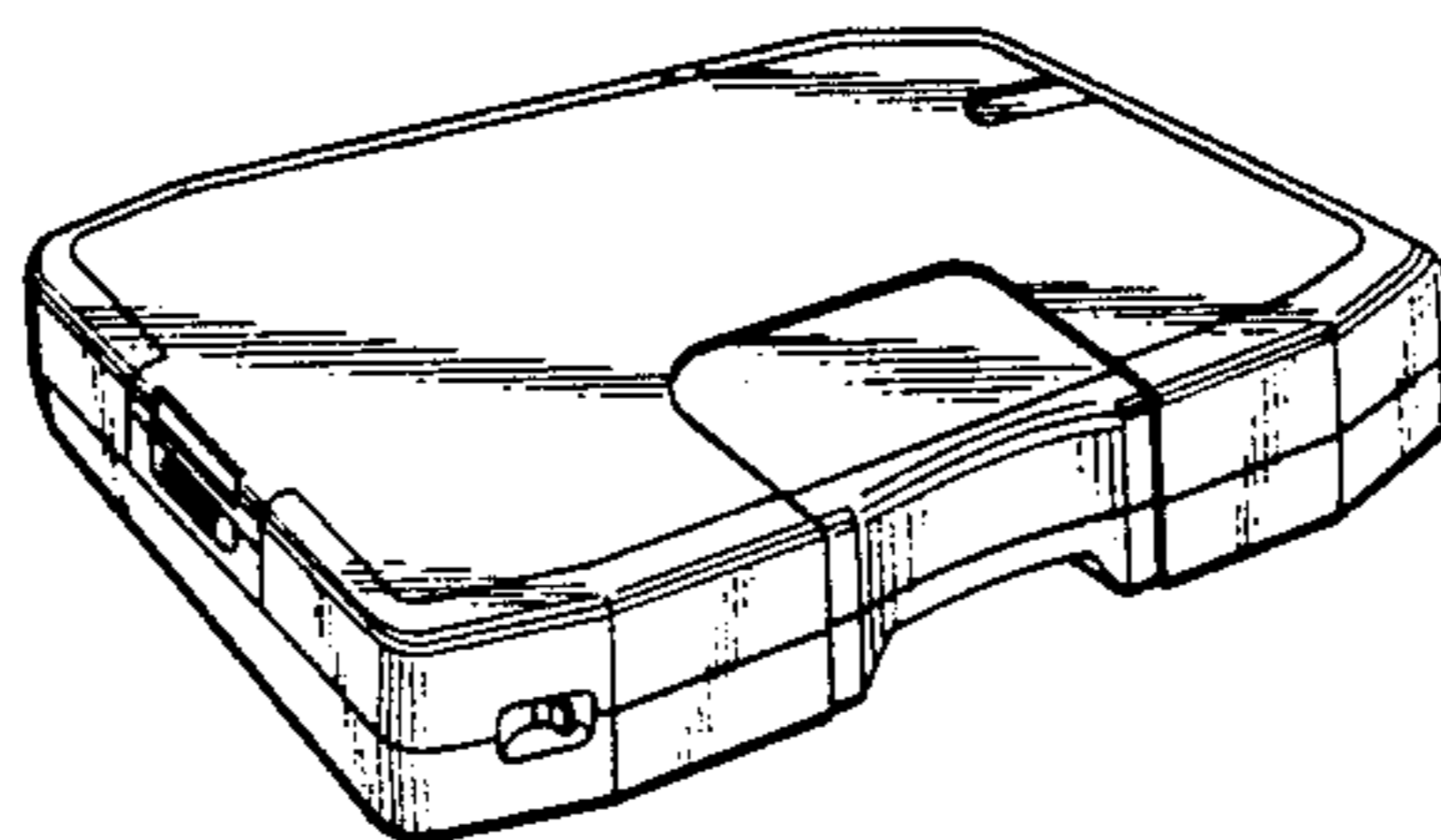
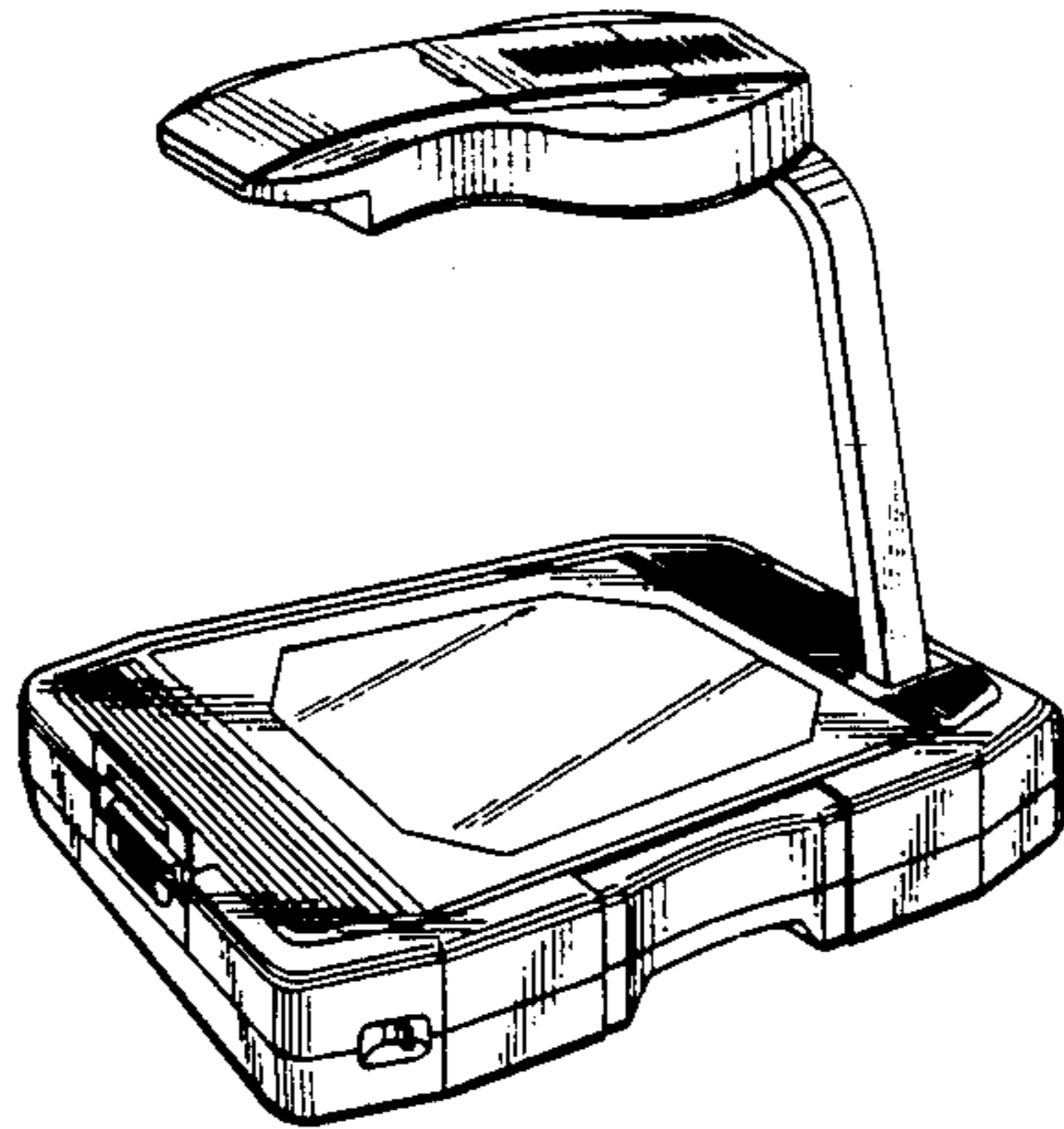


Fig. 1

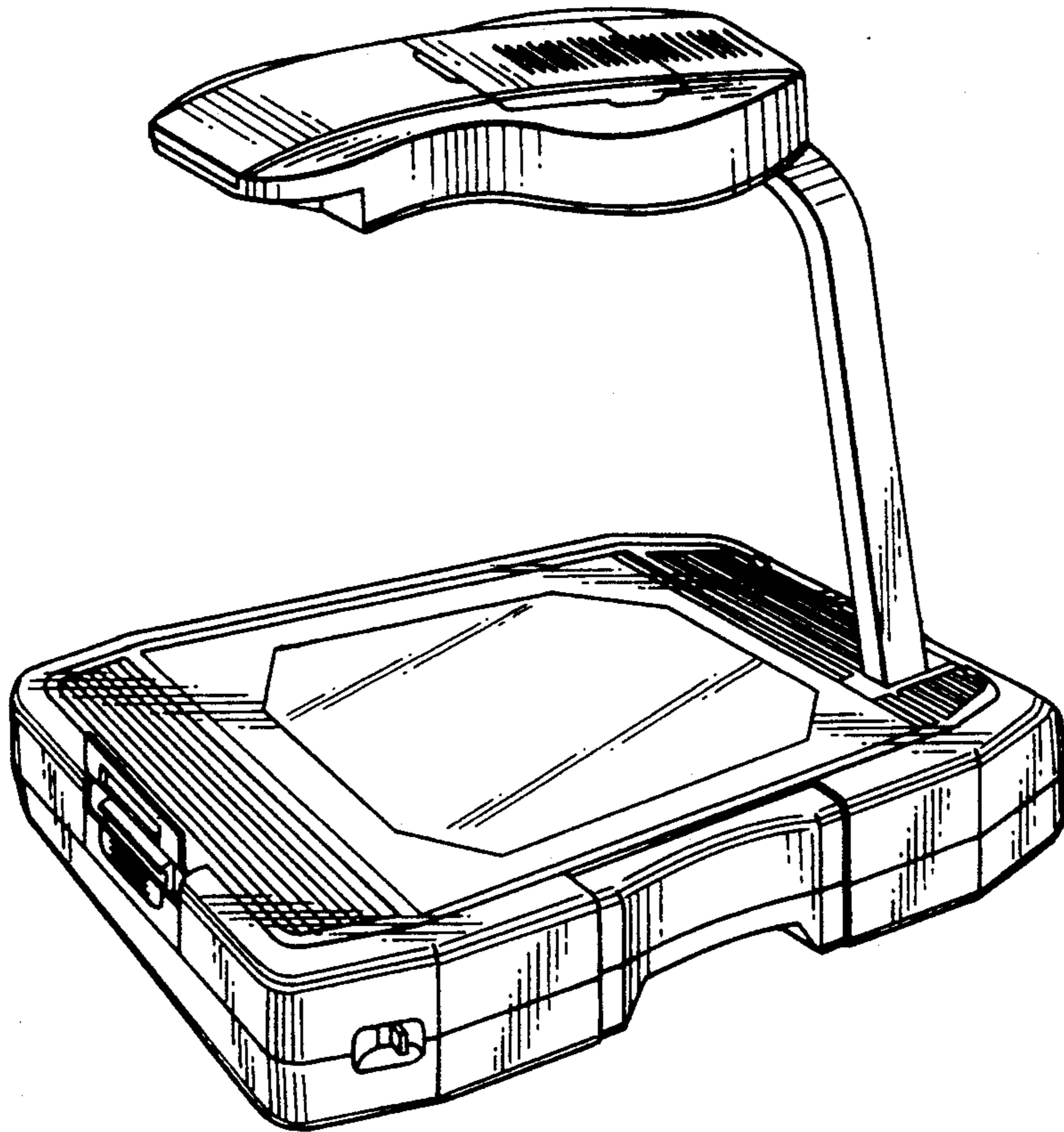


Fig. 2

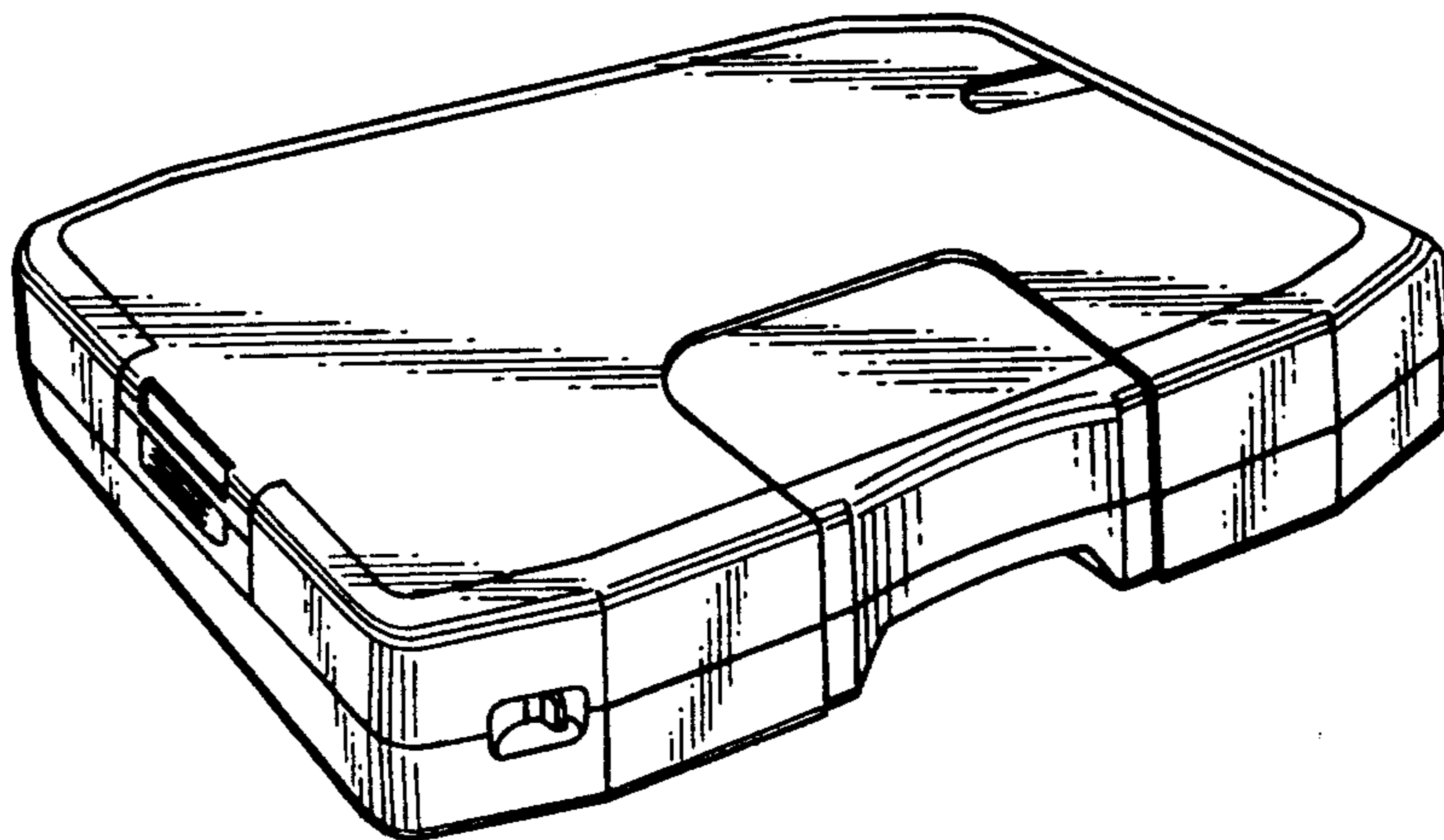


Fig. 3

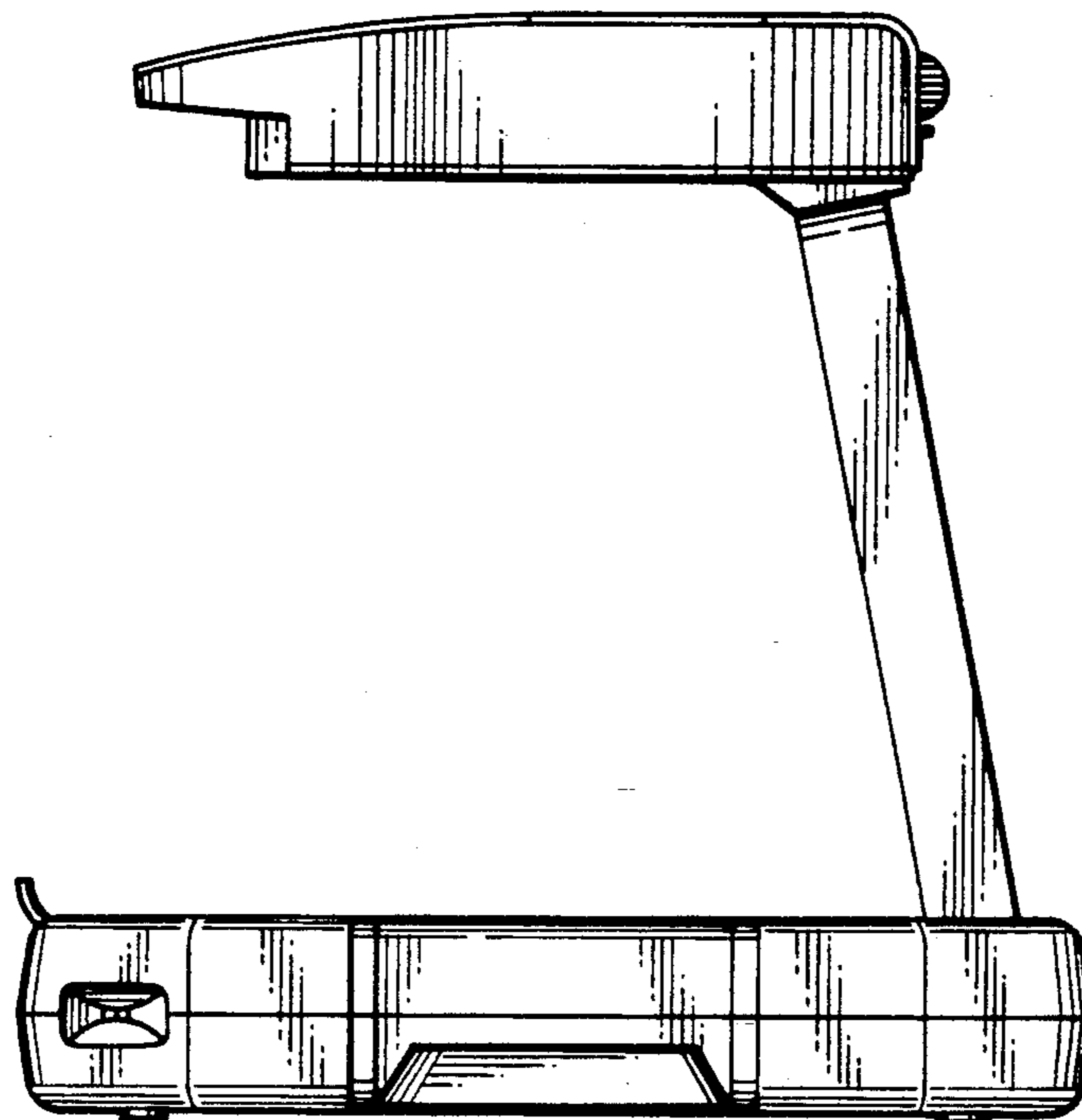


Fig. 4

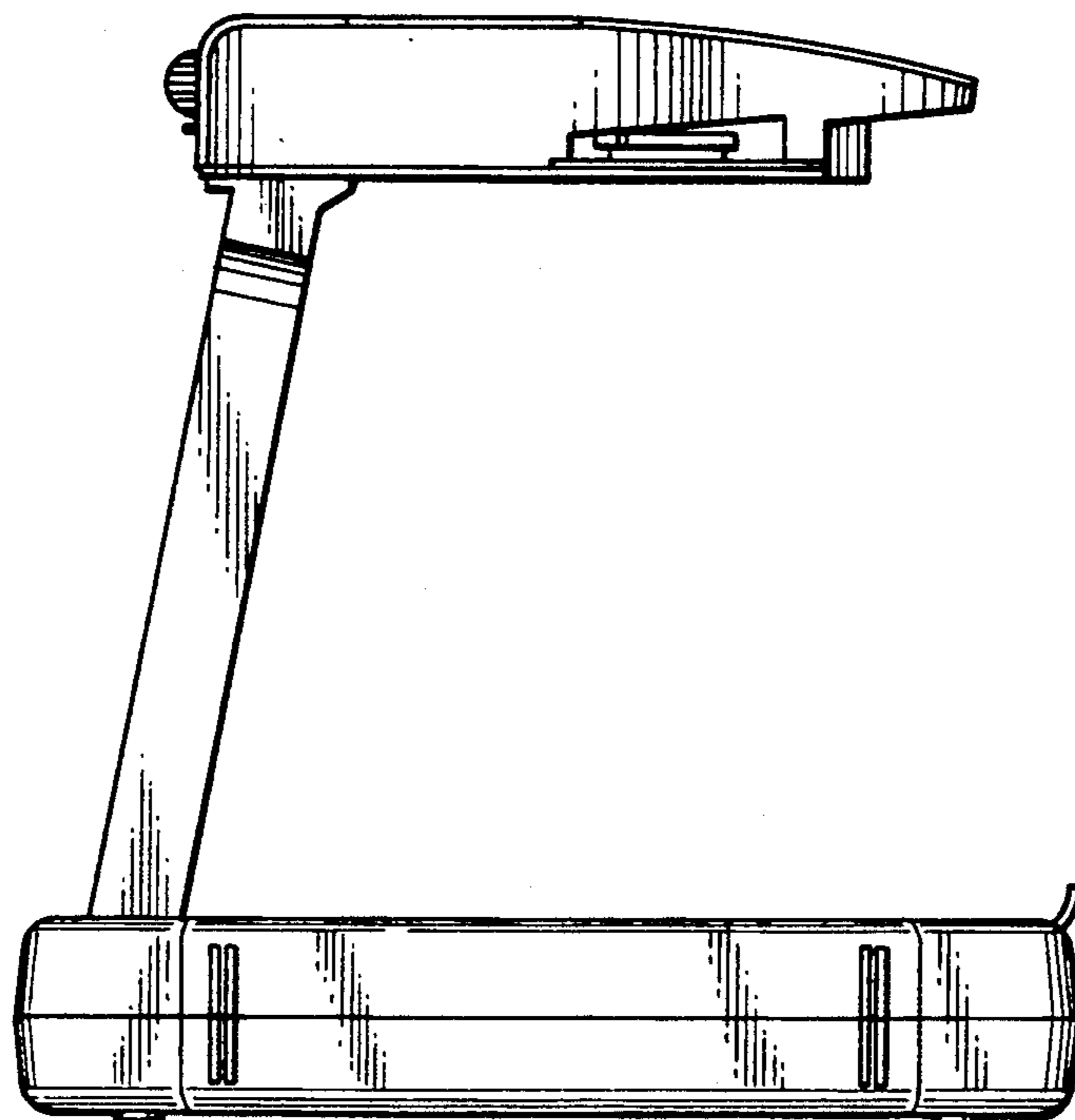


Fig. 5

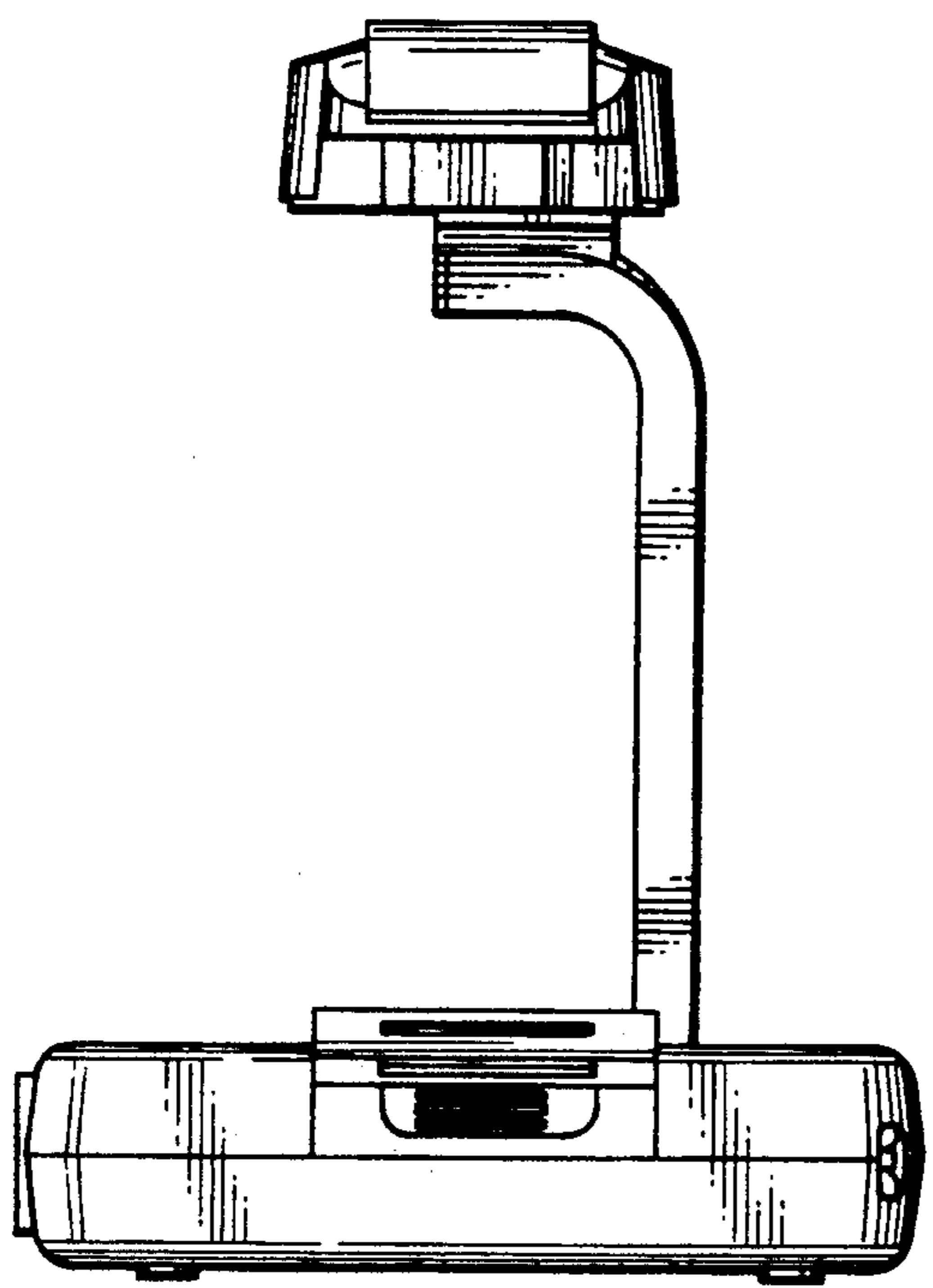


Fig. 6

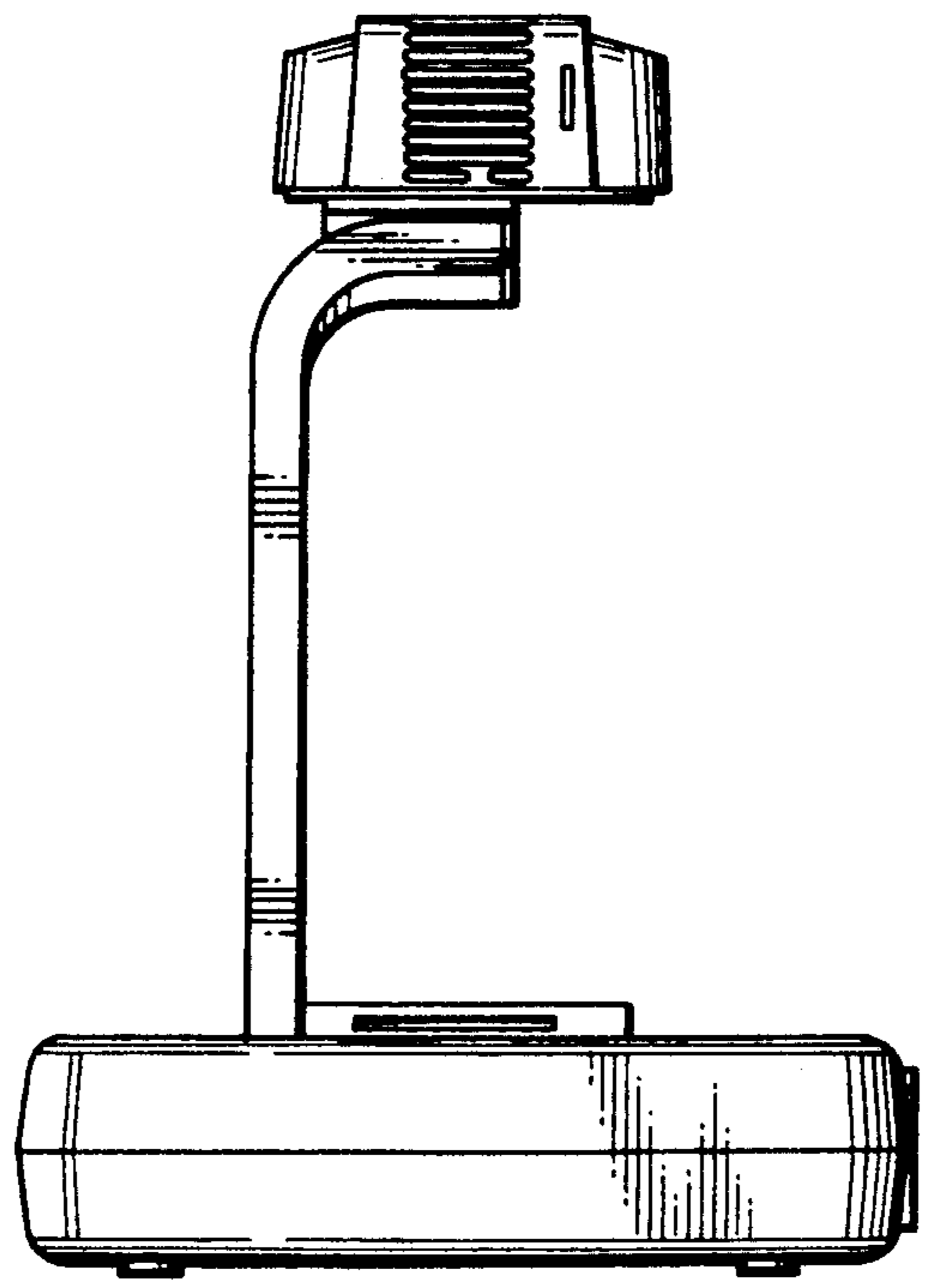


Fig. 7

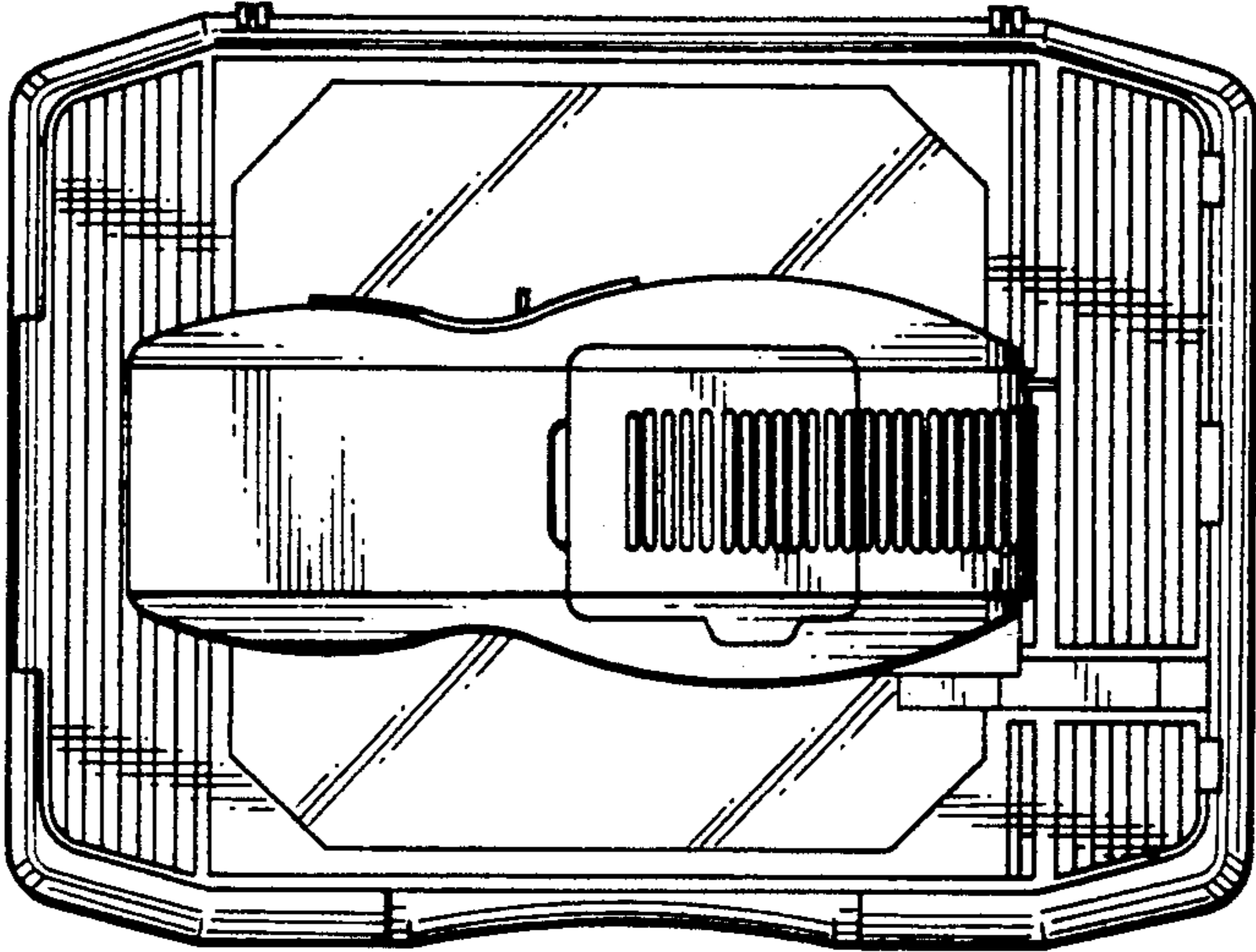


Fig. 8

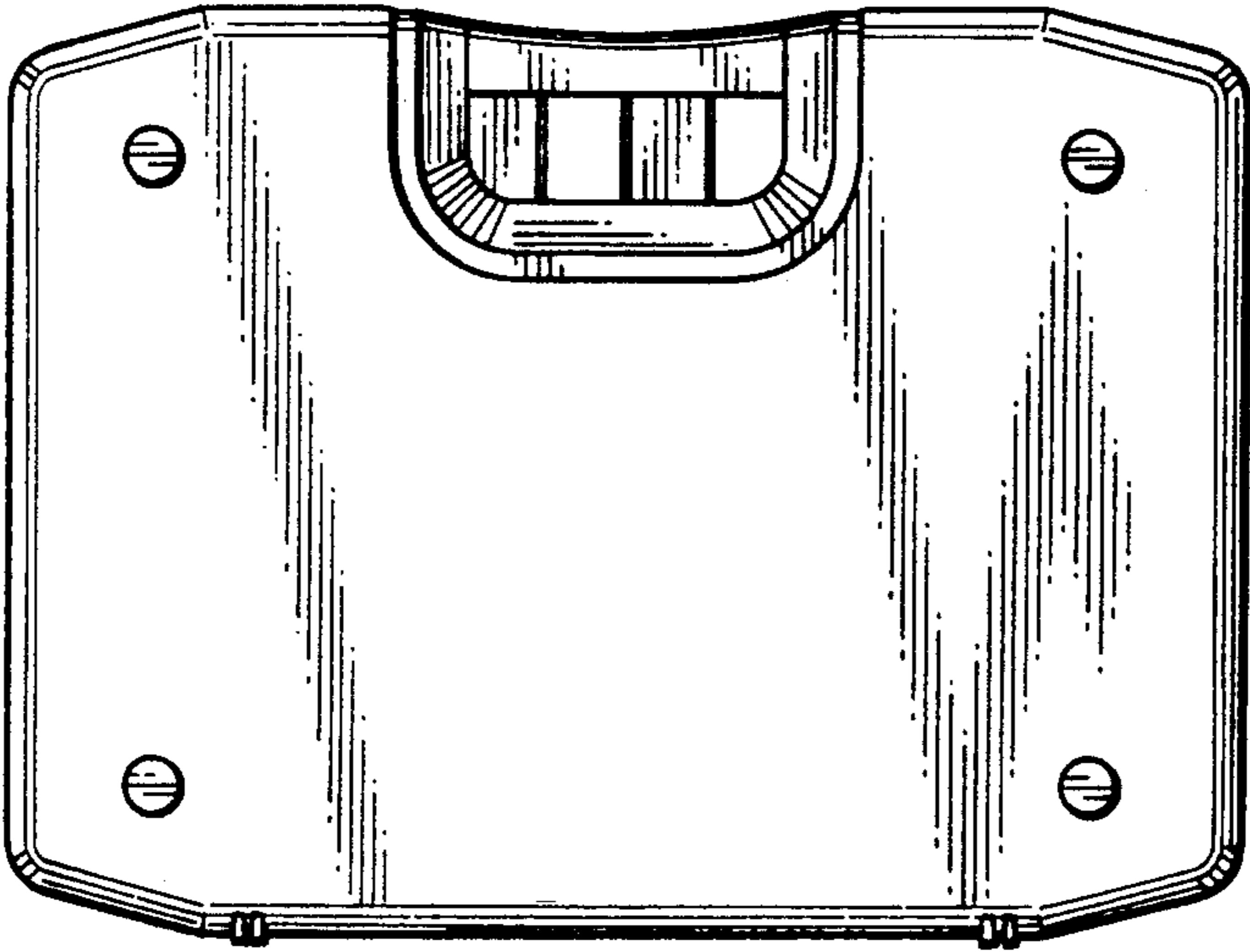


Fig. 9

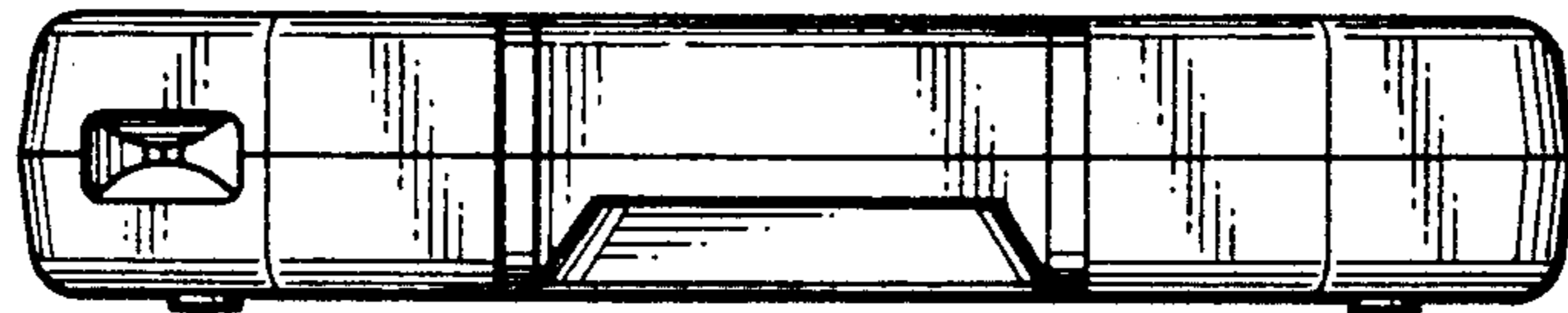


Fig. 10

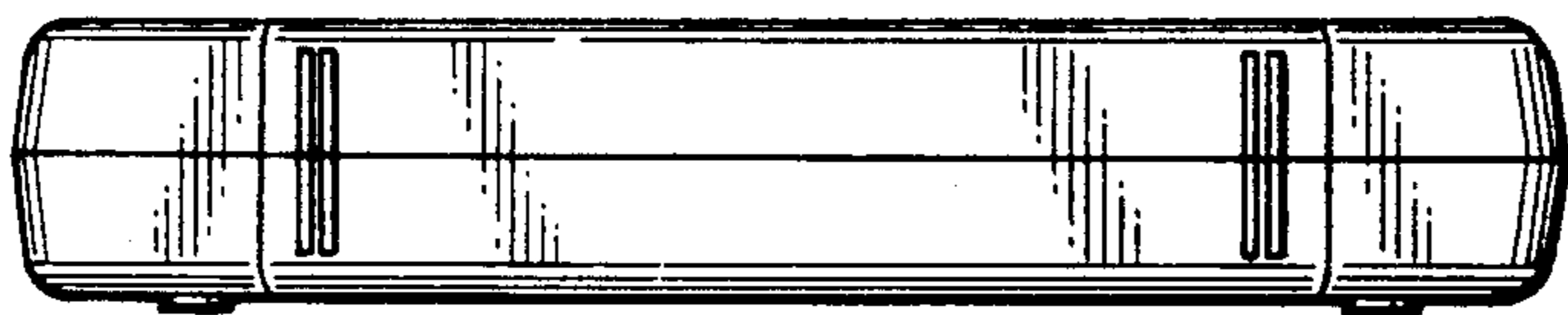


Fig. 11

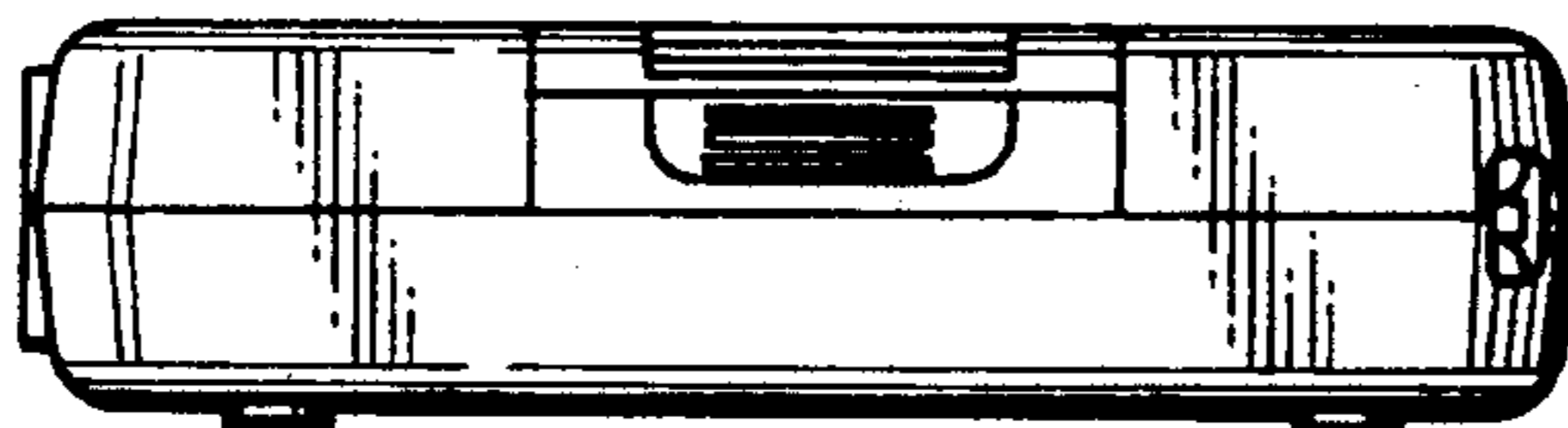


Fig. 12

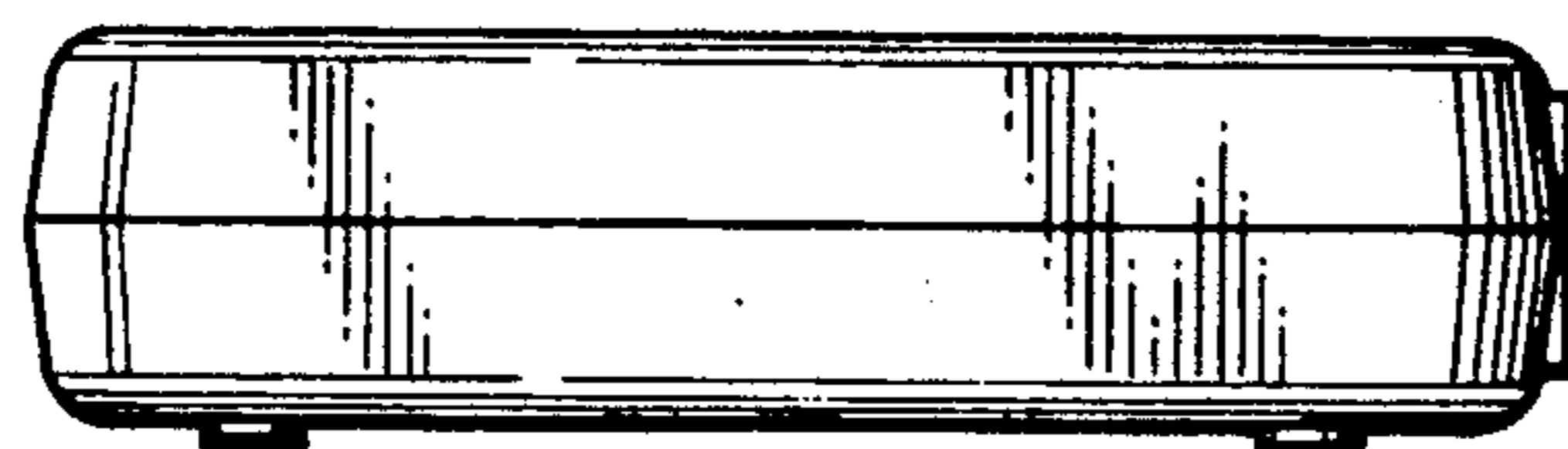


Fig. 13

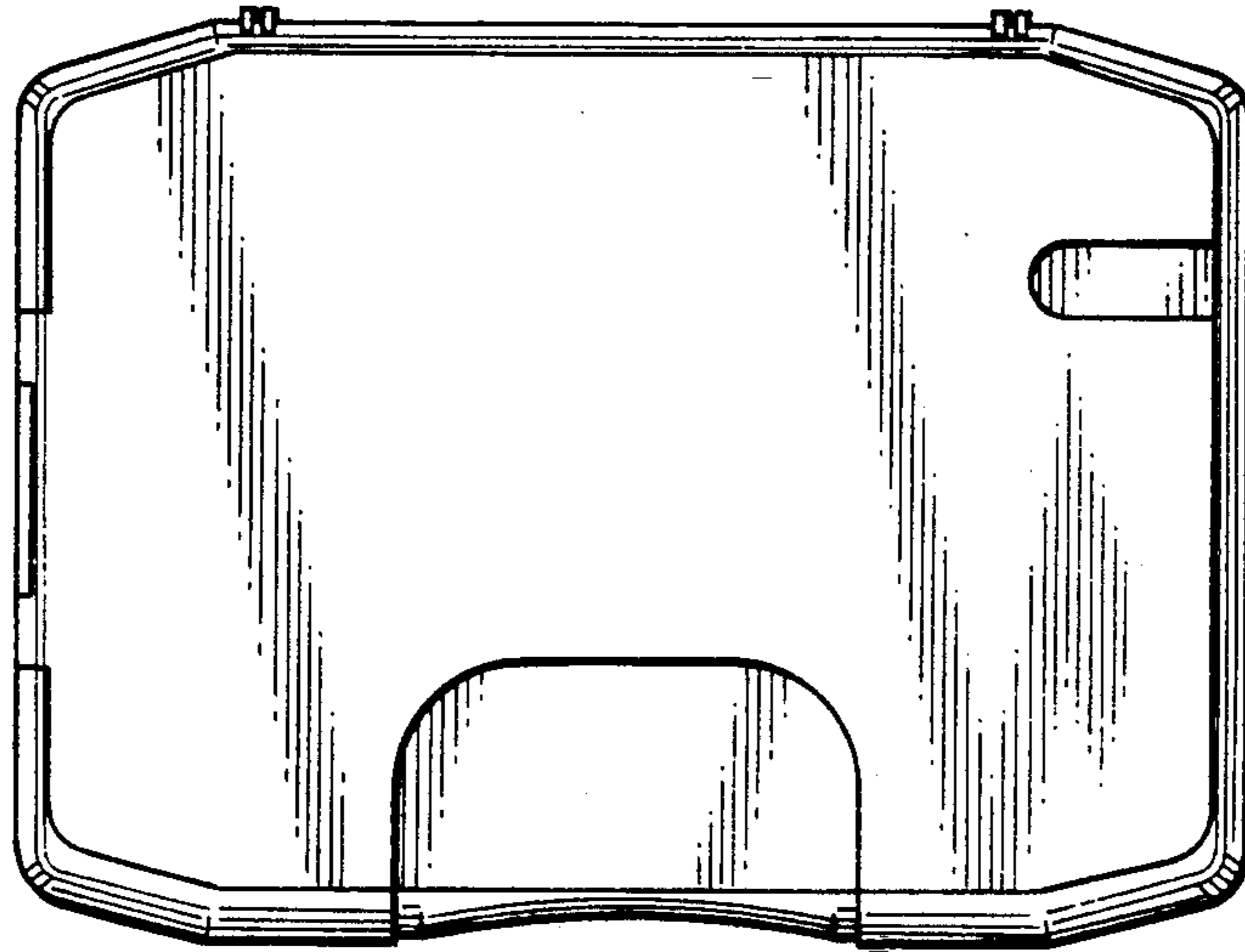


Fig. 14

