



US00D330034S

United States Patent [19]

[11] Patent Number: **Des. 330,034**

Edstrom

[45] Date of Patent: **** Oct. 6, 1992**

[54] SEALING UNIT FOR CONTAINER LIDS

[76] Inventor: **Gene K. Edstrom**, 111 N. Wilshire, Arlington Heights, Ill. 60004

[**] Term: **14 Years**

[21] Appl. No.: **74,507**

[22] Filed: **Jul. 17, 1987**

[52] U.S. Cl. **D15/145; D15/123; D15/199**

[58] Field of Search **D15/123, 145, 199, 128; 53/287; 100/54**

[56] References Cited

U.S. PATENT DOCUMENTS

| | | | |
|------------|--------|----------------------|---------|
| D. 134,611 | 4/1942 | Marks et al. | D15/123 |
| D. 153,991 | 5/1949 | Sonnenberg | D15/145 |
| D. 167,493 | 8/1952 | Anderson et al. | D15/145 |
| 1,234,577 | 7/1917 | Squire | 100/54 |

FOREIGN PATENT DOCUMENTS

8200973 4/1982 PCT Int'l Appl. 100/54

Primary Examiner—Bruce W. Dunkins

Assistant Examiner—Jeffrey Asch

[57] CLAIM

The ornamental design for a sealing unit for container lids, as shown and described.

DESCRIPTION

FIG. 1 is a perspective view of a sealing unit for container lids showing my design;

FIG. 2 is a front elevational view on a reduced scale;

FIG. 3 is a top plan view on a reduced scale;

FIG. 4 is a left side elevational view on a reduced scale;

and,

FIG. 5 is a rear elevational view thereof on a reduced scale.

The side of the sealing unit for container lids not shown in a mirror image of the side shown in FIG. 4.

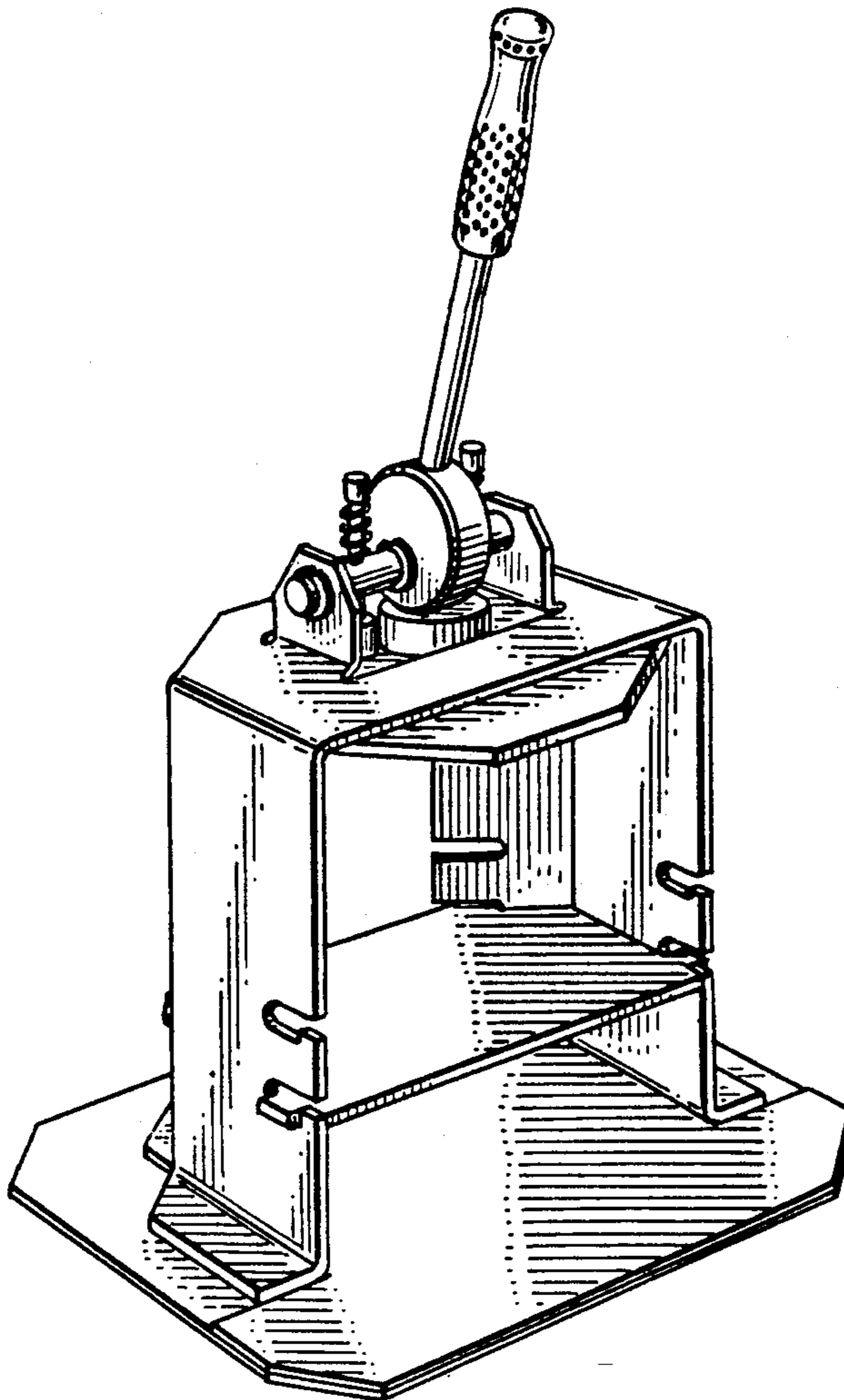


FIG. 1

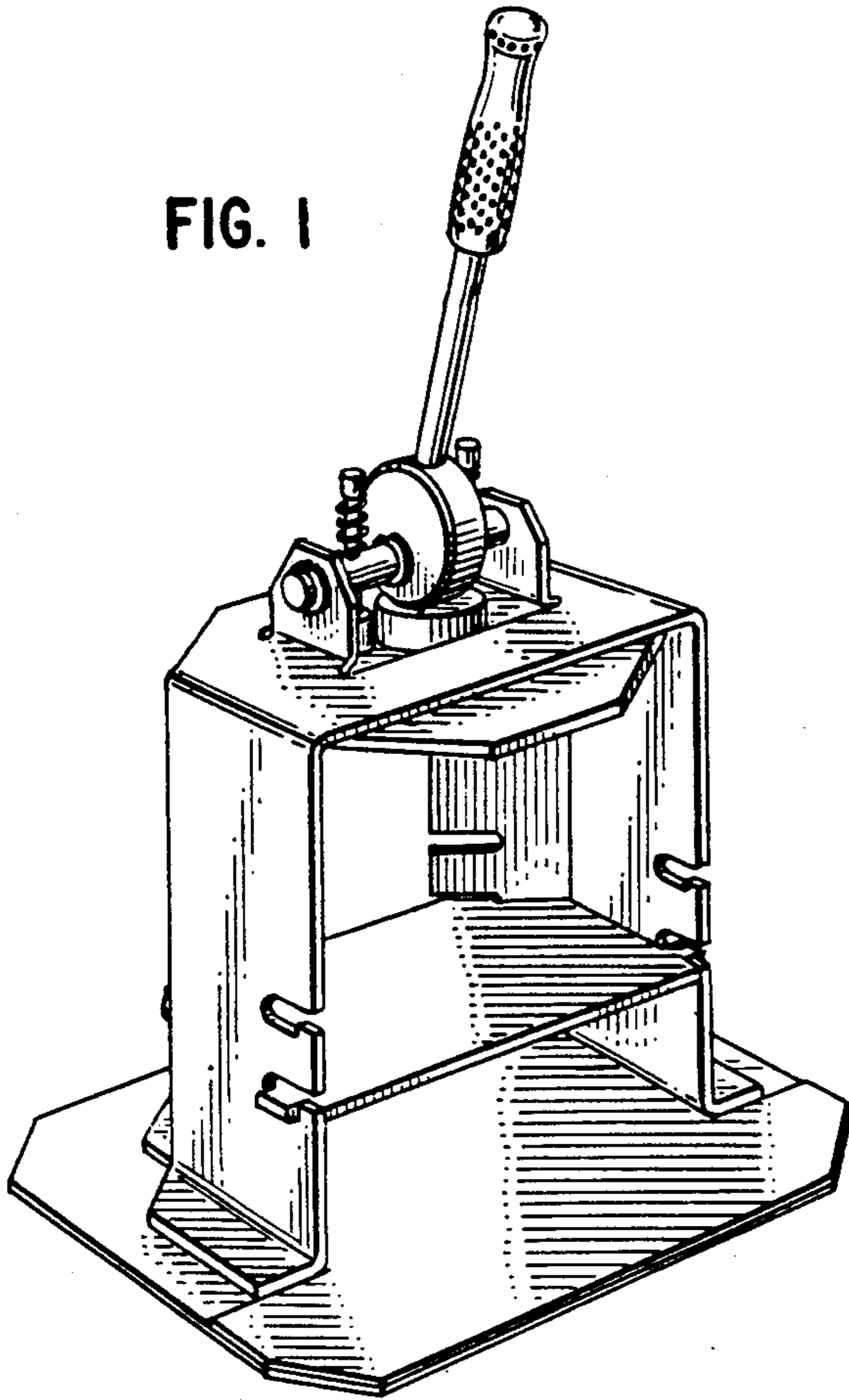


FIG. 2

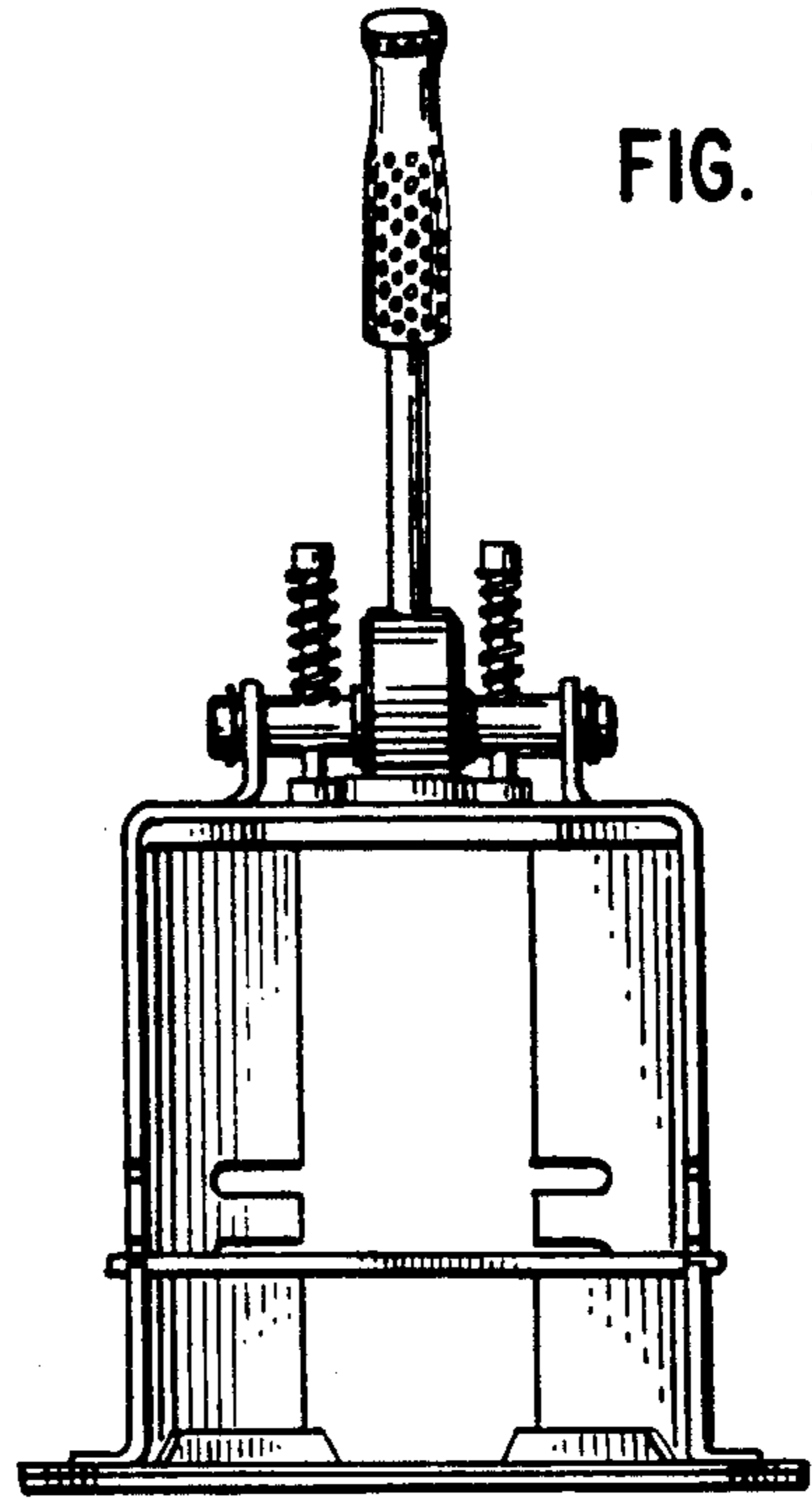


FIG. 3

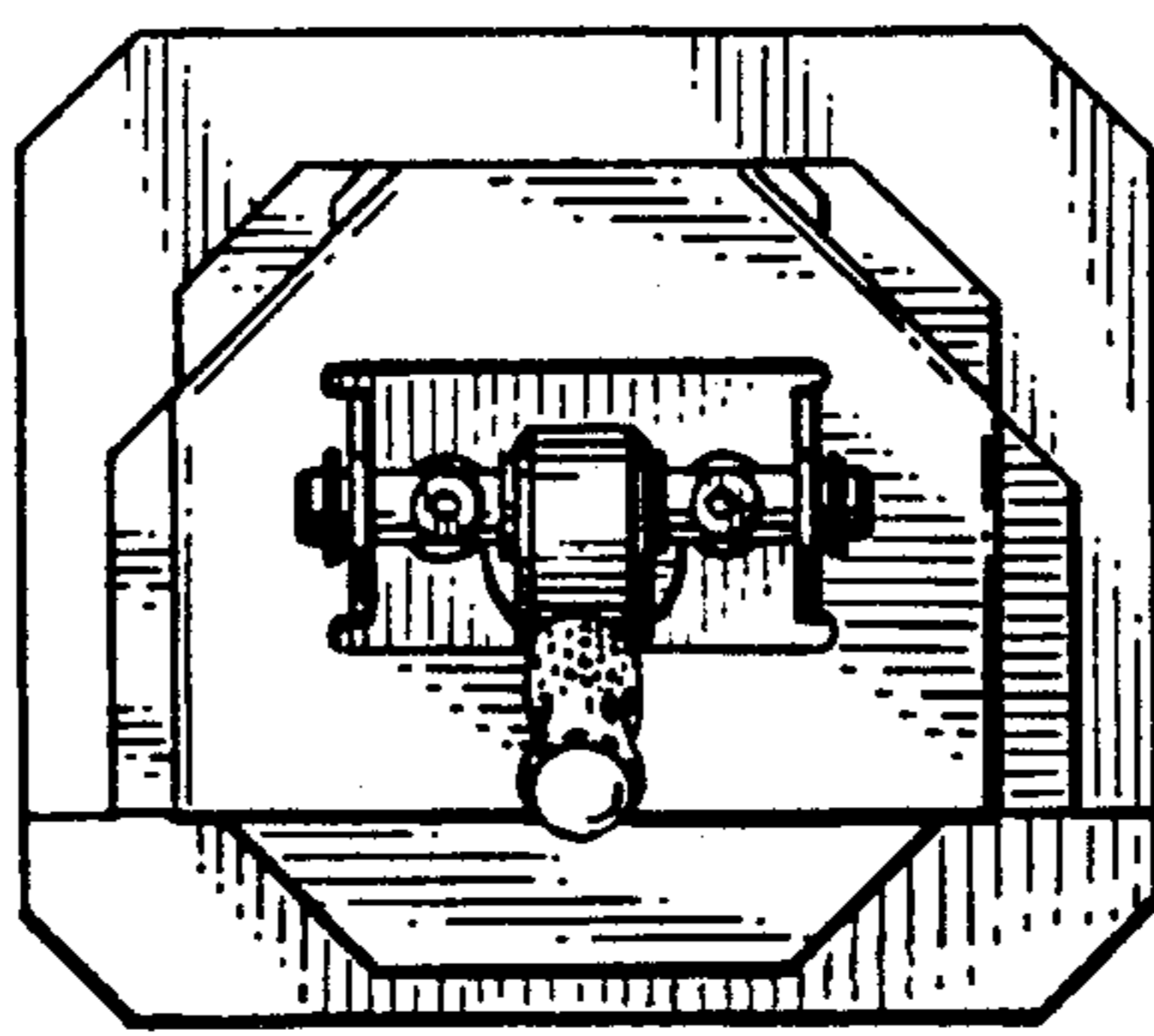


FIG. 4

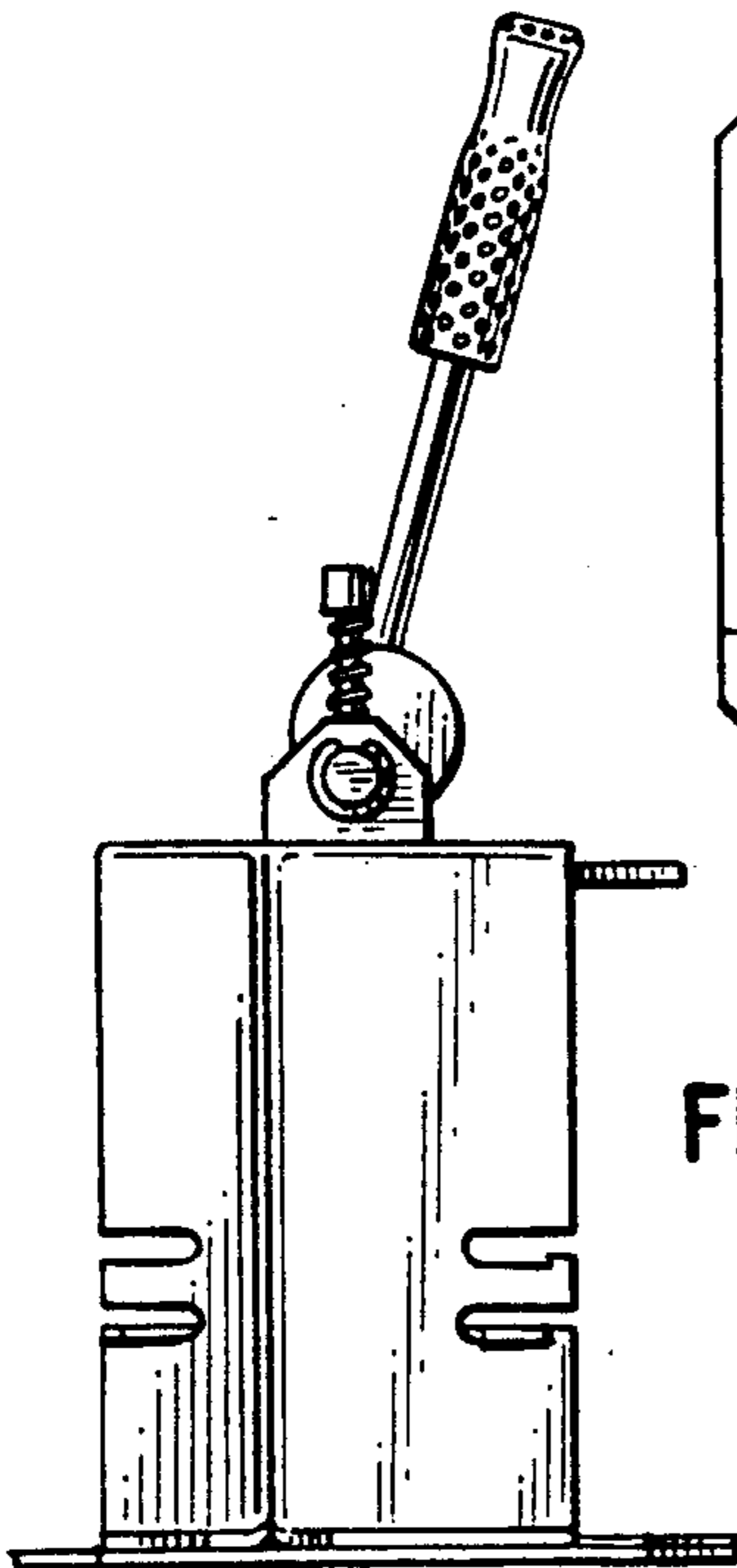
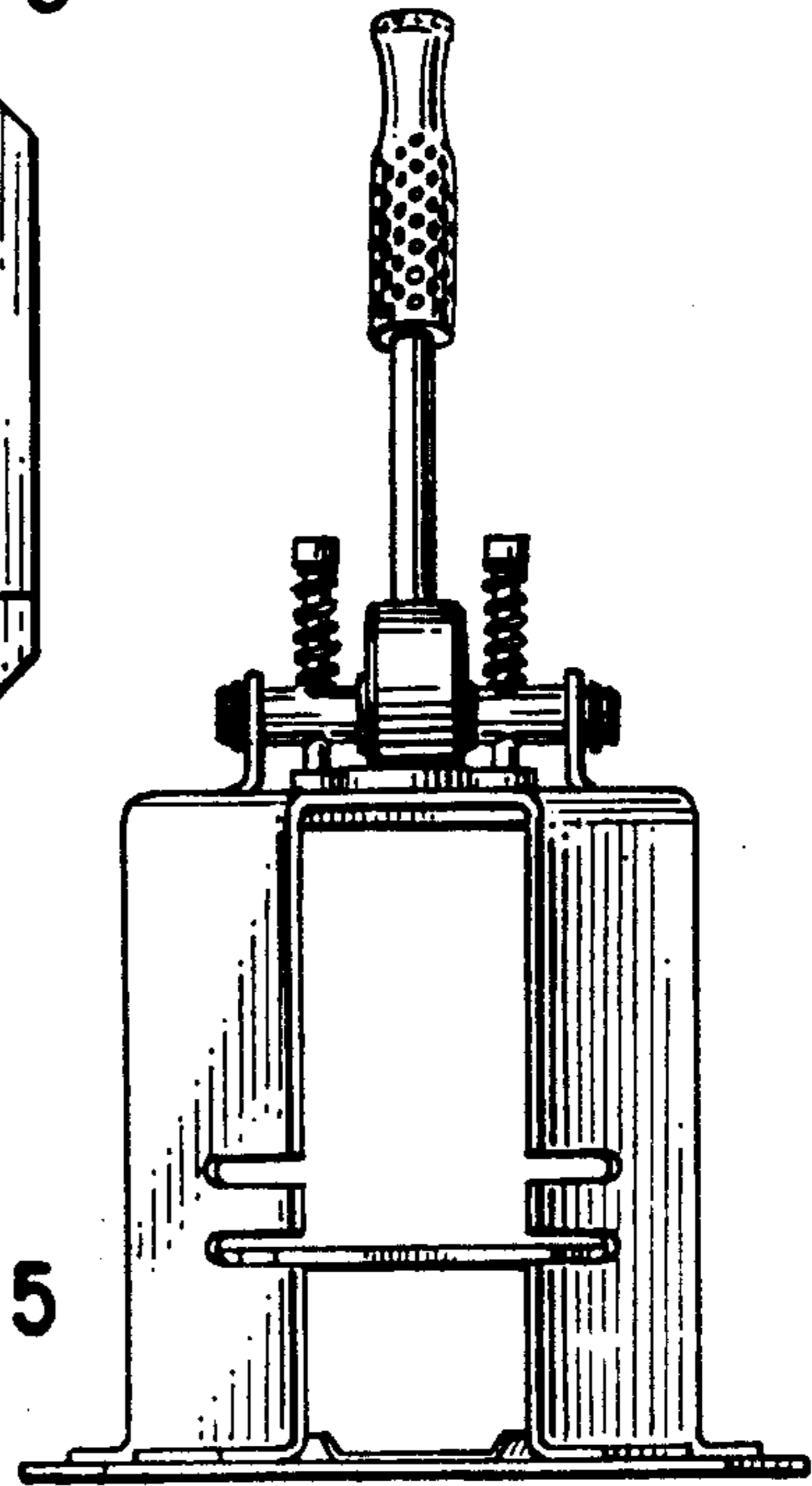


FIG. 5



UNITED STATES PATENT AND TRADEMARK OFFICE
CERTIFICATE OF CORRECTION

PATENT NO. : Des. 330,034
DATED : October 6, 1992
INVENTOR(S) : Edstrom

It is certified that error appears in the above-identified patent and that said Letters Patent is hereby corrected as shown below:

ON THE TITLE PAGE:

Column 1, line 4, under "[76] Inventor:", insert --[73] Assignee: Fluid Management Limited Partnership, Wheeling, Illinois--.

Item [56]

Column 2, line 5, under "Assistant Examiner - Jeffrey Asch" insert --Attorney, Agent, or Firm - Fitch, Even, Tabin & Flannery--.

Item [57]

Column 2, line 10 under "DESCRIPTION", after "shown", change "in" to --is--.

Signed and Sealed this

Twenty-eighth Day of December, 1993

Attest:



BRUCE LEHMAN

Attesting Officer

Commissioner of Patents and Trademarks