



US00D330033S

# United States Patent [19]

[11] Patent Number: Des. 330,033

Gustafsson et al.

[45] Date of Patent: \*\* Oct. 6, 1992

## [54] CUTOFF INSERT

[75] Inventors: **Lars-Erik Gustafsson**, Sandviken, Sweden; **Lars T. Pettersson**, Glen Rock, N.J.

[73] Assignee: **Sandvik AB**, Sandviken, Sweden

[\*\*] Term: **14 Years**

[21] Appl. No.: **418,484**

[22] Filed: **Oct. 10, 1989**

[52] U.S. Cl. .... **D15/139**

[58] Field of Search ..... **D15/139, 140; 83/845; 407/114, 115, 116, 117**

## [56] References Cited

### U.S. PATENT DOCUMENTS

|            |         |             |       |           |
|------------|---------|-------------|-------|-----------|
| D. 275,760 | 10/1984 | Cochran     | ..... | D15/139   |
| D. 278,716 | 5/1985  | Pano        | ..... | D15/139   |
| D. 284,011 | 5/1986  | Pano        | ..... | D15/139   |
| D. 306,032 | 2/1990  | Mihic       | ..... | D15/139   |
| 2,677,170  | 5/1954  | Kuns et al. | ..... | D15/139 X |
| 4,340,325  | 6/1982  | Gowanlock   | ..... | D15/139 X |
| 4,778,311  | 10/1988 | Niemi       | ..... | 407/116   |
| 4,844,668  | 7/1989  | Pettersson  | ..... | 407/116 X |
| 4,946,319  | 8/1990  | Lyon et al. | ..... | 407/115   |
| 4,992,007  | 2/1991  | Satran      | ..... | 407/116 X |
| 4,992,008  | 2/1991  | Pano        | ..... | 407/115 X |
| 5,004,378  | 4/1991  | Little      | ..... | 407/116 X |

## FOREIGN PATENT DOCUMENTS

2804072 8/1978 Fed. Rep. of Germany ..... 407/115

## OTHER PUBLICATIONS

Teledync Firth Sterling Cutting Tools, Atar Atal, Aug. 1981, pp. 44-48.

Valenitc, Total Capability Tooling Manual, TRG & TRH Styles, May 1984 page 189.

Kennametal/81, Top Notch Threading and Grooving Inserts, ©1980, p. 34.

*Primary Examiner*—Donald P. Walsh

*Assistant Examiner*—Antoine D. Davis

*Attorney, Agent, or Firm*—Burns, Doane, Swecker & Mathis

## [57] CLAIM

The ornamental design for a cutoff insert, as shown and described.

## DESCRIPTION

FIG. 1 is a front perspective view of a cutoff insert showing my new design;

FIG. 2 is a rear perspective view;

FIG. 3 is a front elevational view;

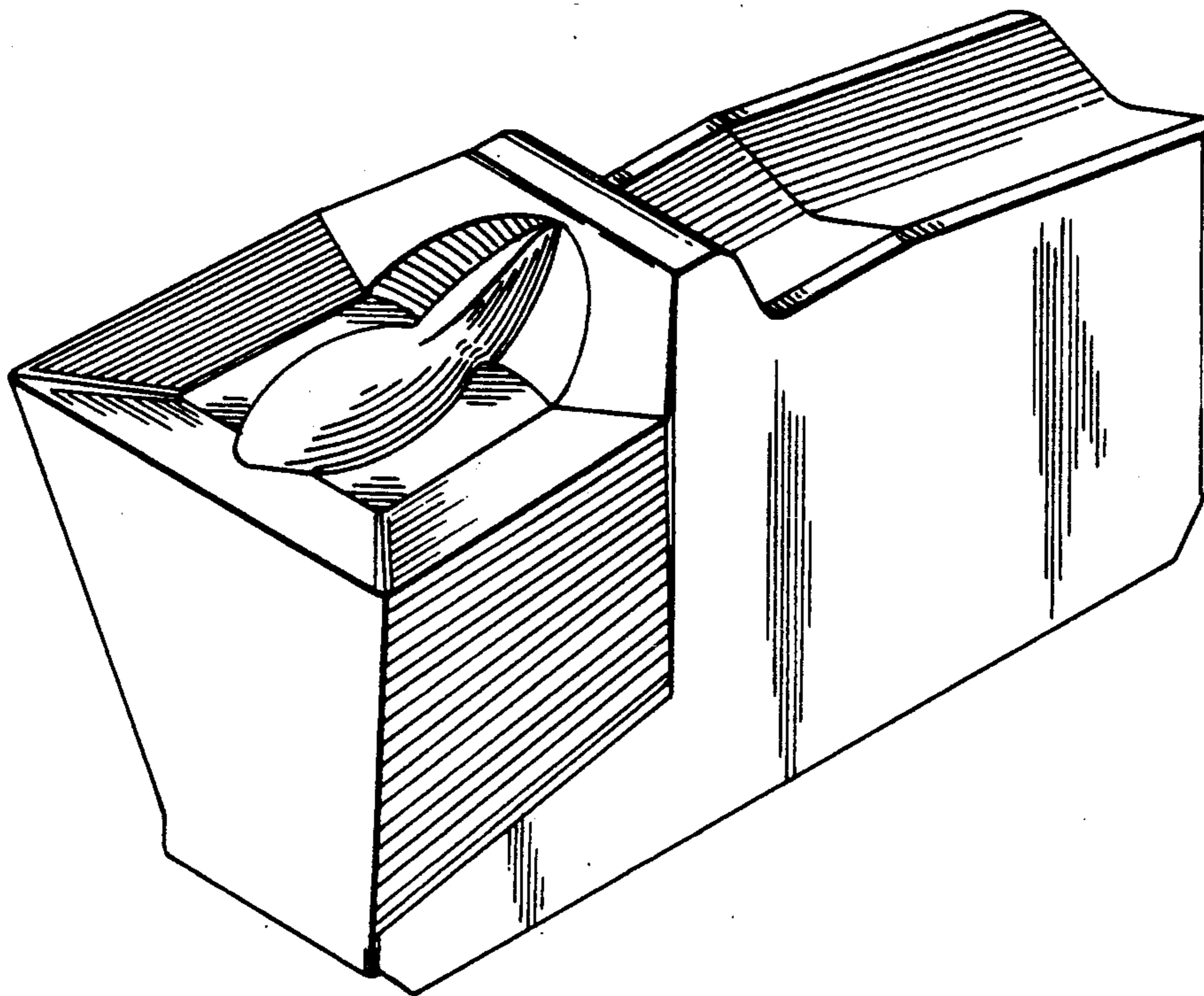
FIG. 4 is a bottom plan view;

FIG. 5 is a left side elevational view;

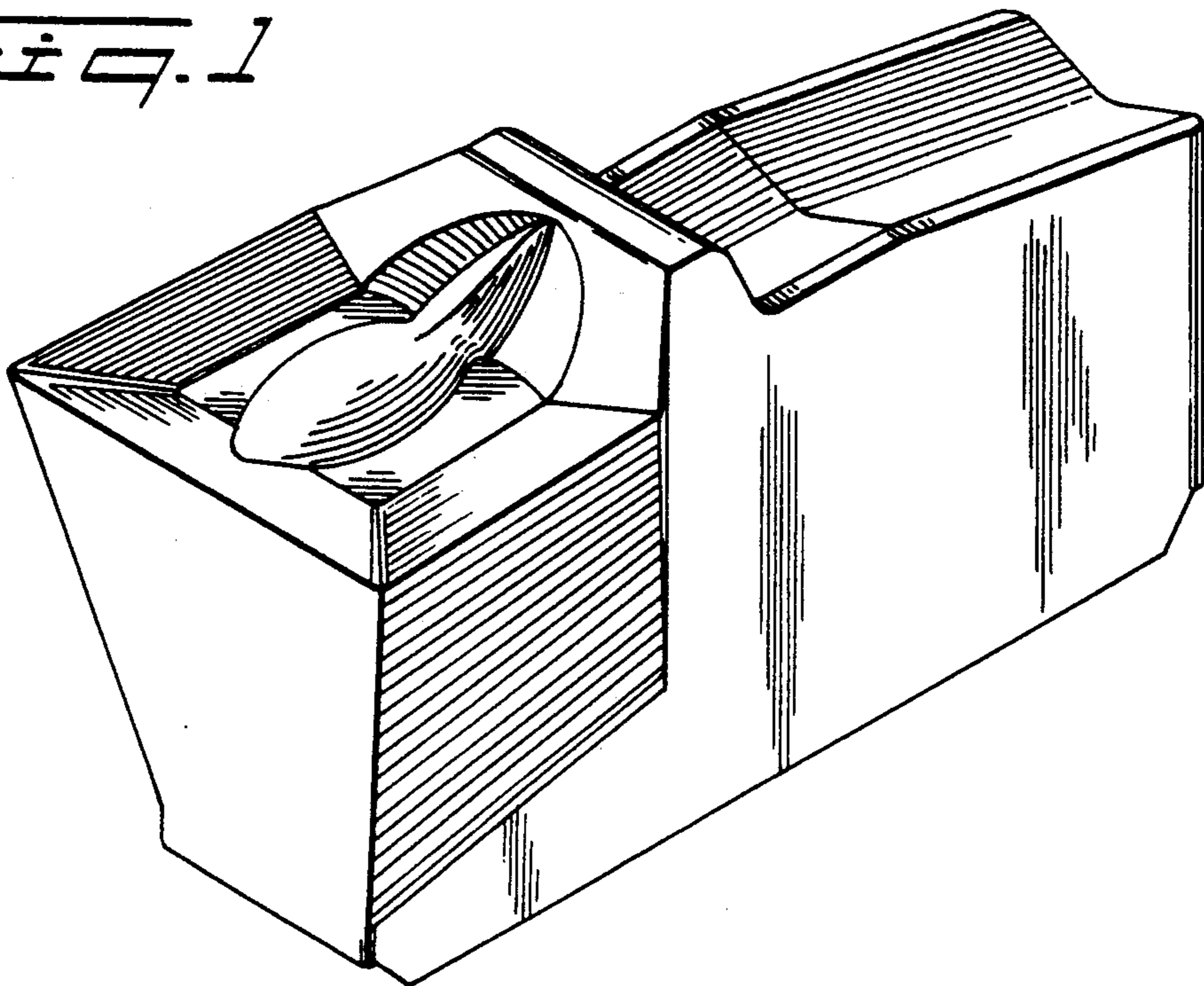
FIG. 6 is a top plan view;

FIG. 7 is a rear elevational view; and,

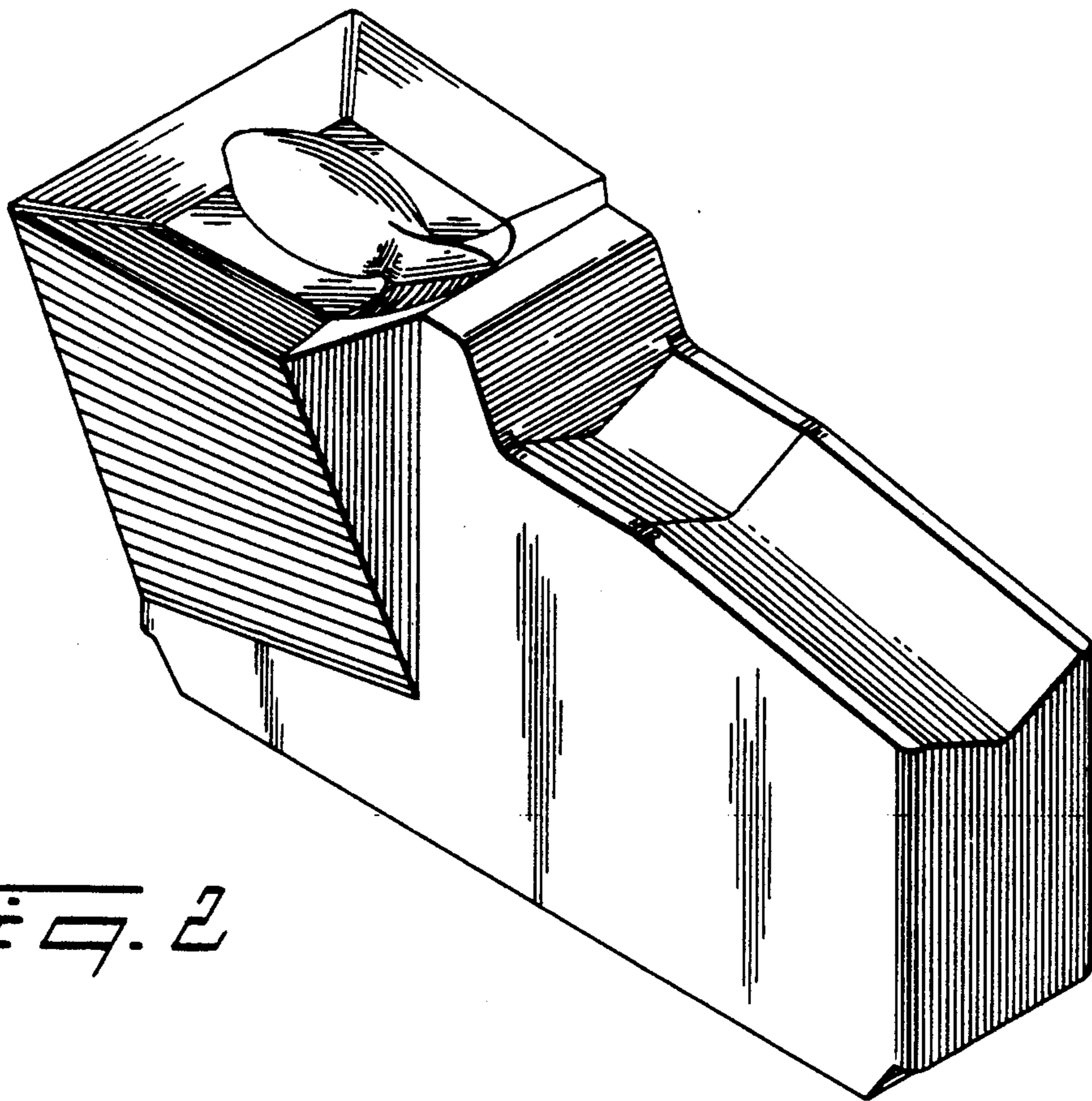
FIG. 8 is a right side elevational view thereof.



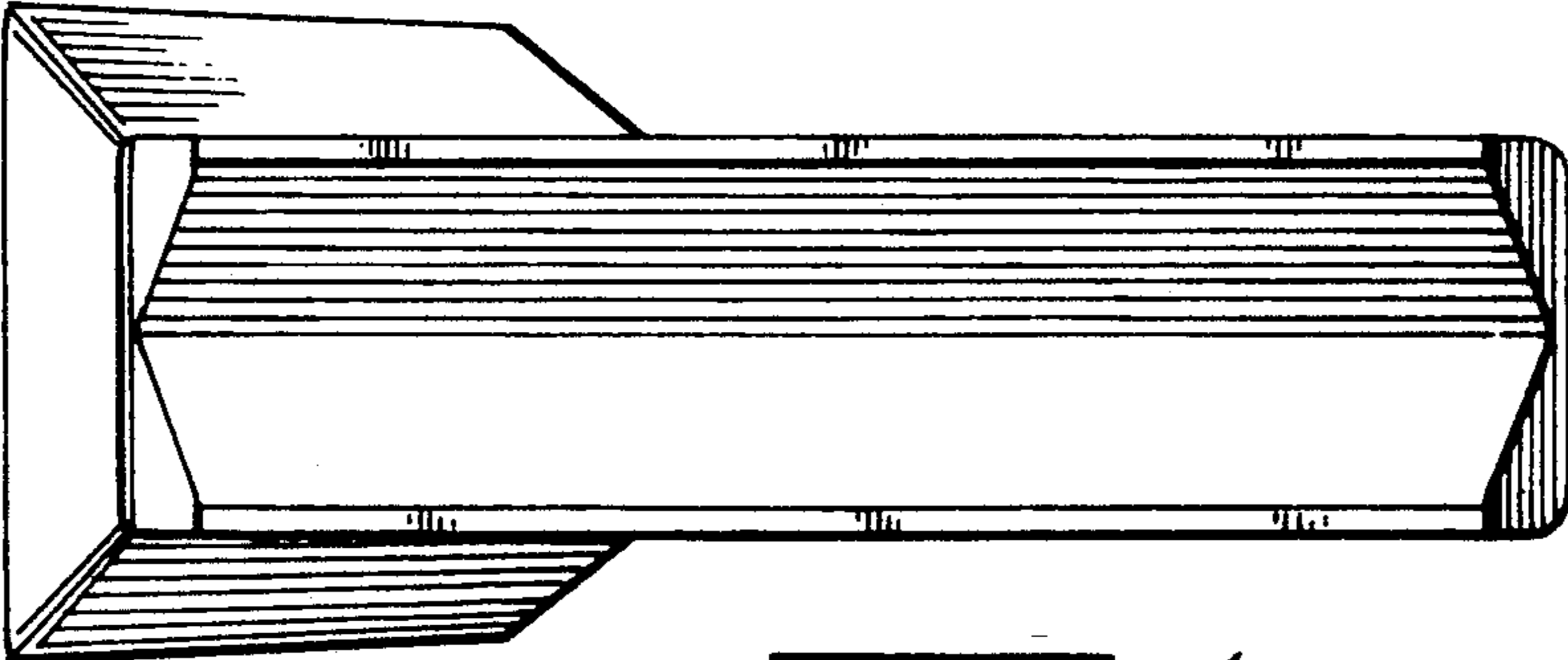
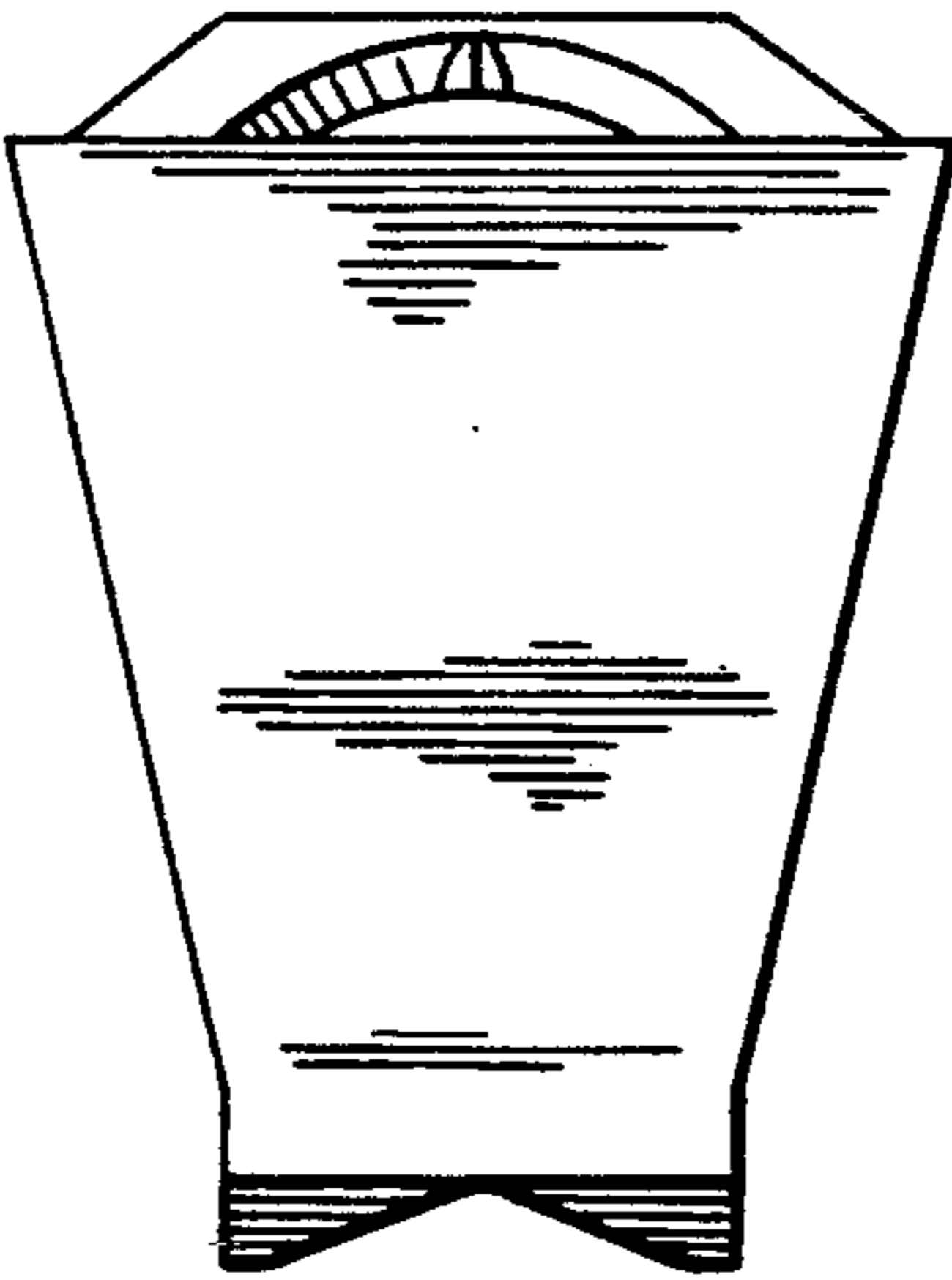
*Fig. 1*



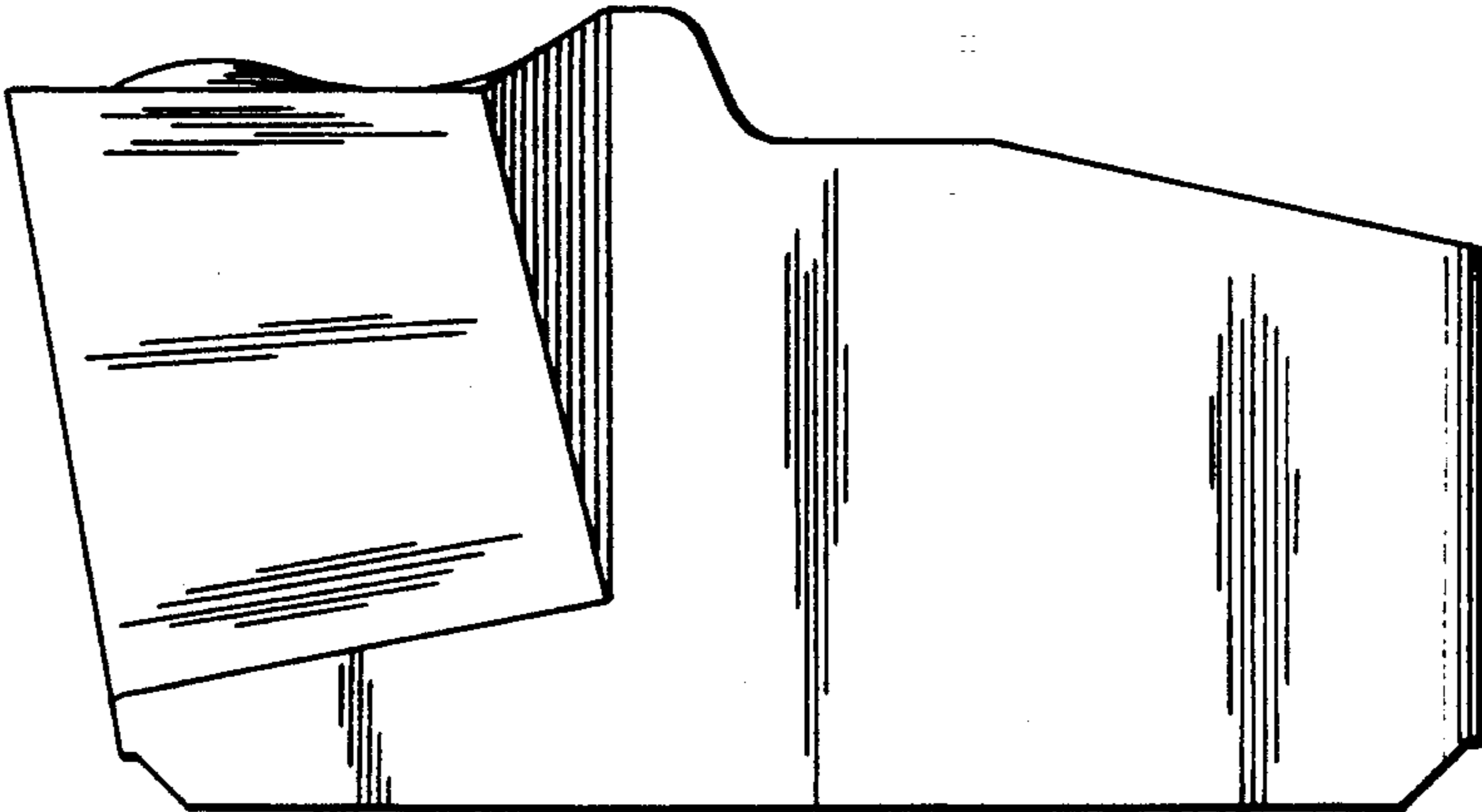
*Fig. 2*



*Fig. 3*

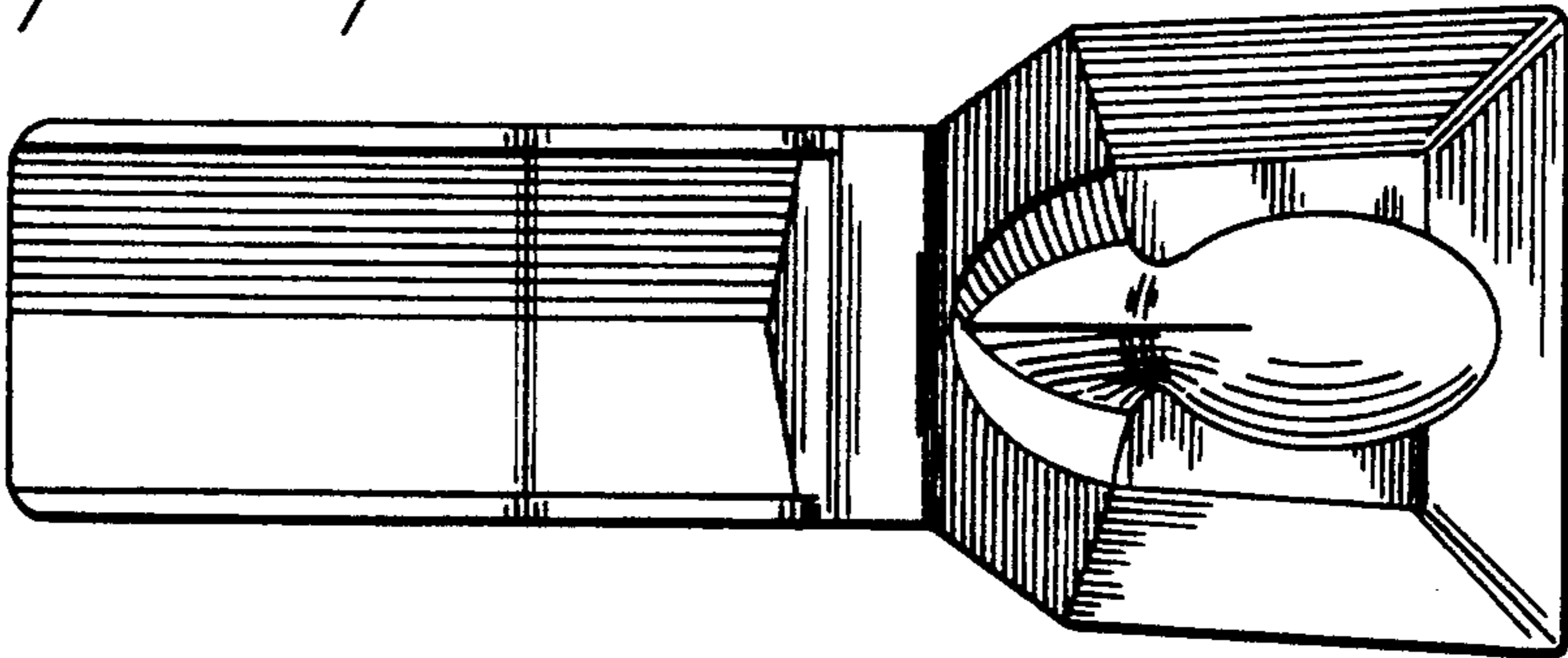


*Fig. 4*

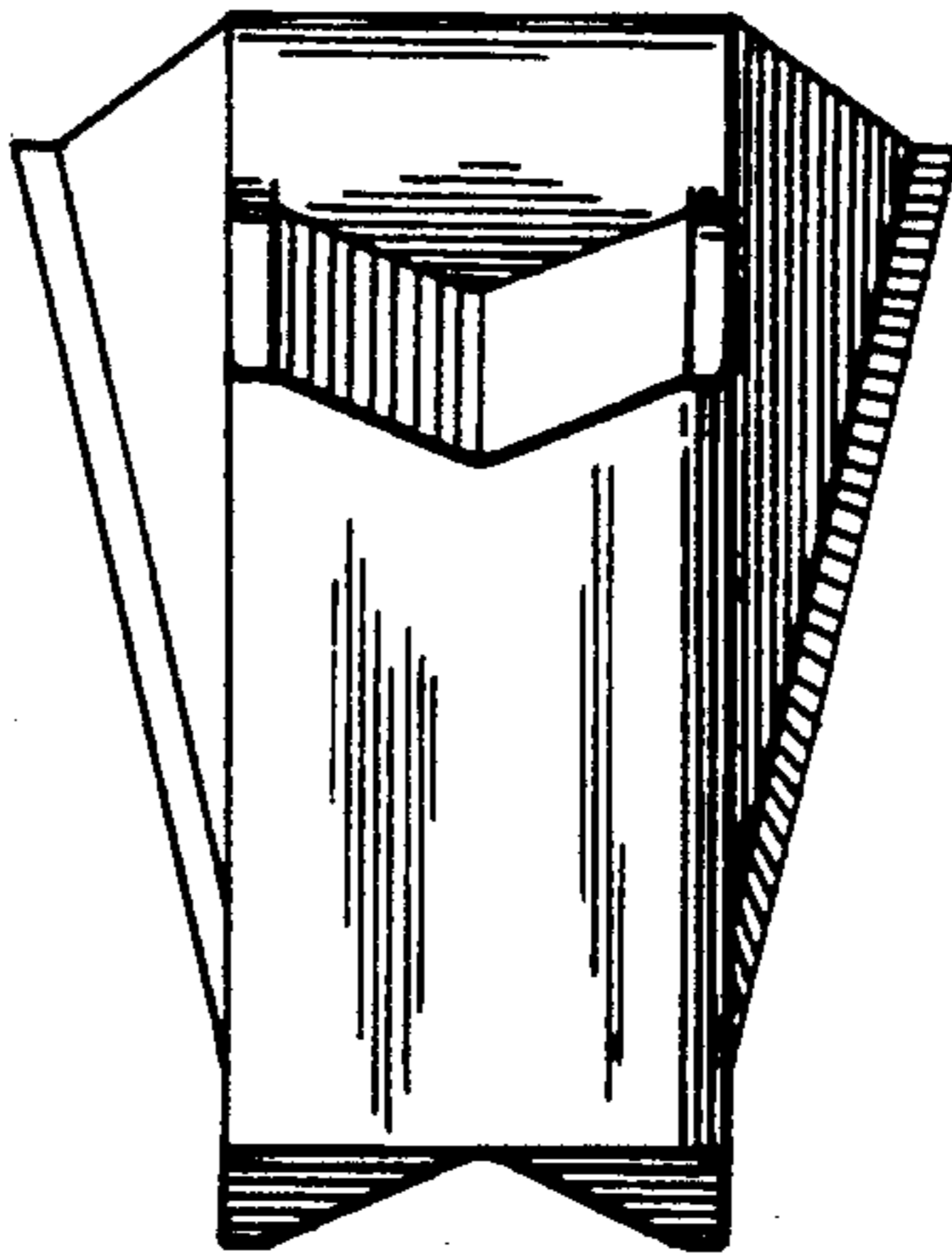


*Fig. 5*

*Fig. 6*



*Fig. 7*



*Fig. 8*

