



US00D330032S

United States Patent [19]

[11] Patent Number: **Des. 330,032**

Cromer et al.

[45] Date of Patent: **** Oct. 6, 1992**

[54] **GANGED SLICING MACHINE**

4,407,262 10/1983 Wirz et al. 125/13.01
4,420,909 12/1983 Steere, Jr. 51/73 R
4,424,649 1/1984 Vincent et al. 125/13.01 X

[75] Inventors: **Michael I. Cromer, Ojai; James J. McKay, Ventura; Christian M. Nielsen, Saugus, all of Calif.**

OTHER PUBLICATIONS

[73] Assignee: **Manufacturing Technology, Inc., Ojai, Calif.**

Meyer-Burger TS116 Slicing Machine Data Sheet Apr. 1986.

[**] Term: **14 Years**

Primary Examiner—Donald P. Walsh
Assistant Examiner—Antoine D. Davis
Attorney, Agent, or Firm—Koppel & Jacobs

[21] Appl. No.: **478,761**

[22] Filed: **Feb. 12, 1990**

[57] CLAIM

[52] U.S. Cl. **D15/127; D15/129**

The ornamental design for a ganged slicing machine, as shown and described.

[58] Field of Search **D15/127, 128, 129, 130, D15/131, 132, 133, 134; 29/29.35; 83/411.5; 125/13.01, 15; 264/158, 275; 310/310, 311; 404/90; 51/73 R, 215 CD, 215 VG, 215 R, 283 R, 217 R, 163.75, 165.77**

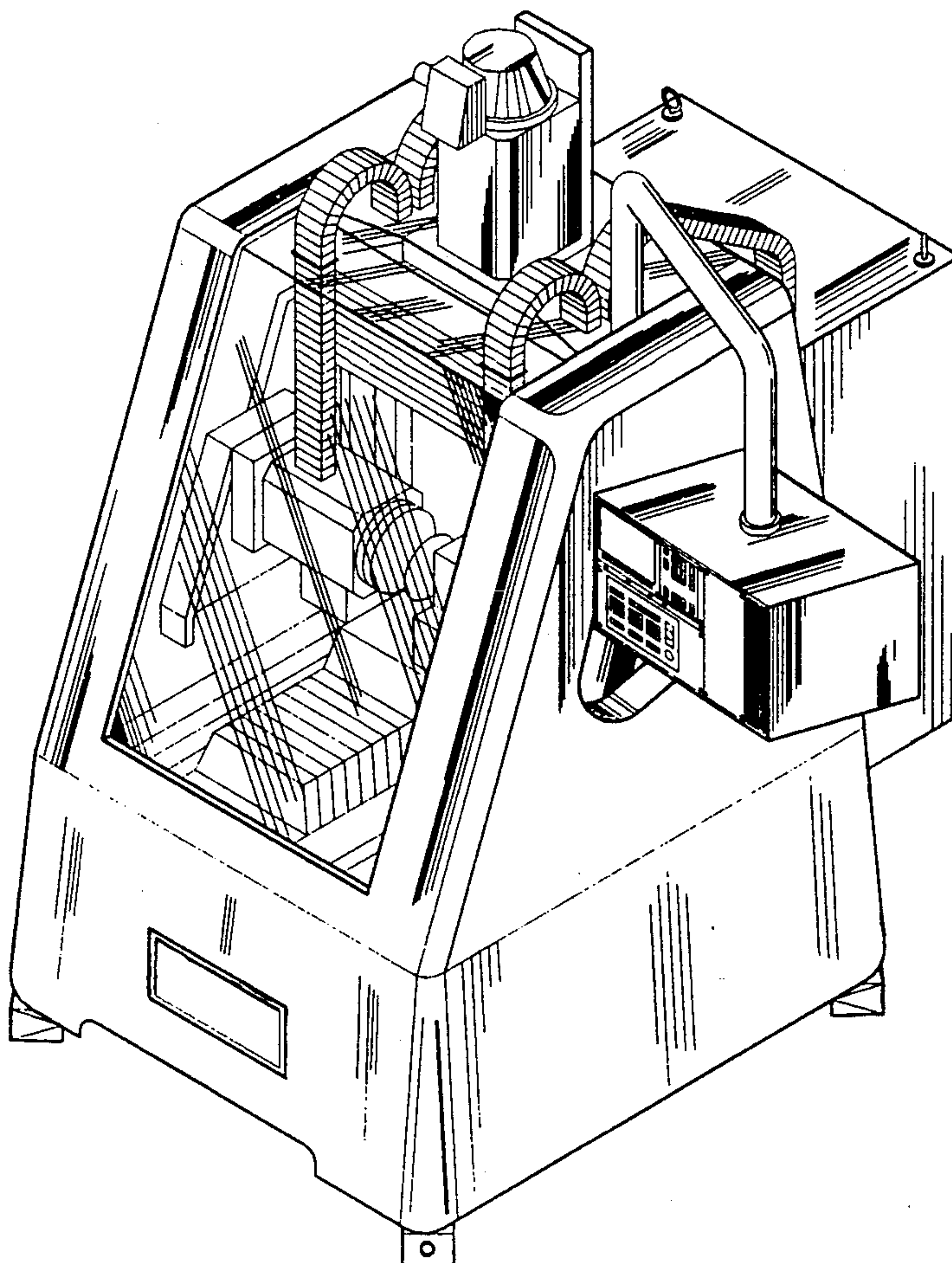
DESCRIPTION

[56] References Cited

U.S. PATENT DOCUMENTS

D. 289,525 4/1987 Nielson et al. D15/127
D. 319,834 9/1991 Rüttschle D15/131
4,323,049 4/1982 Sogn 125/13.01

FIG. 1 is a top, front and right side perspective view of a ganged slicing machine showing our new design; FIG. 2 is a front elevational view; FIG. 3 is a top plan view; FIG. 4 is a bottom plan view; FIG. 5 is a right side elevational view; FIG. 6 is a left side elevational view; and, FIG. 7 is a rear elevational view thereof.



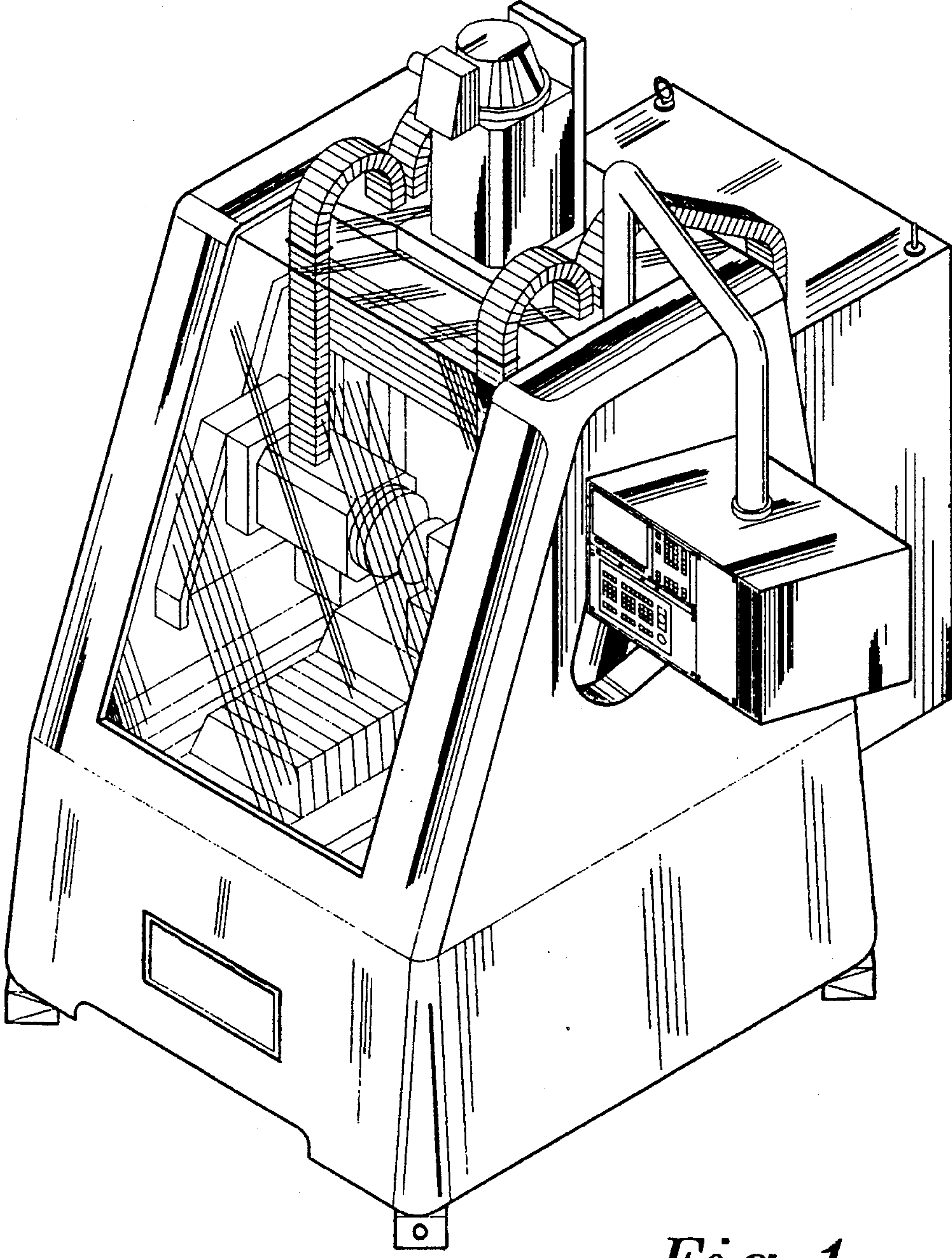


Fig. 1

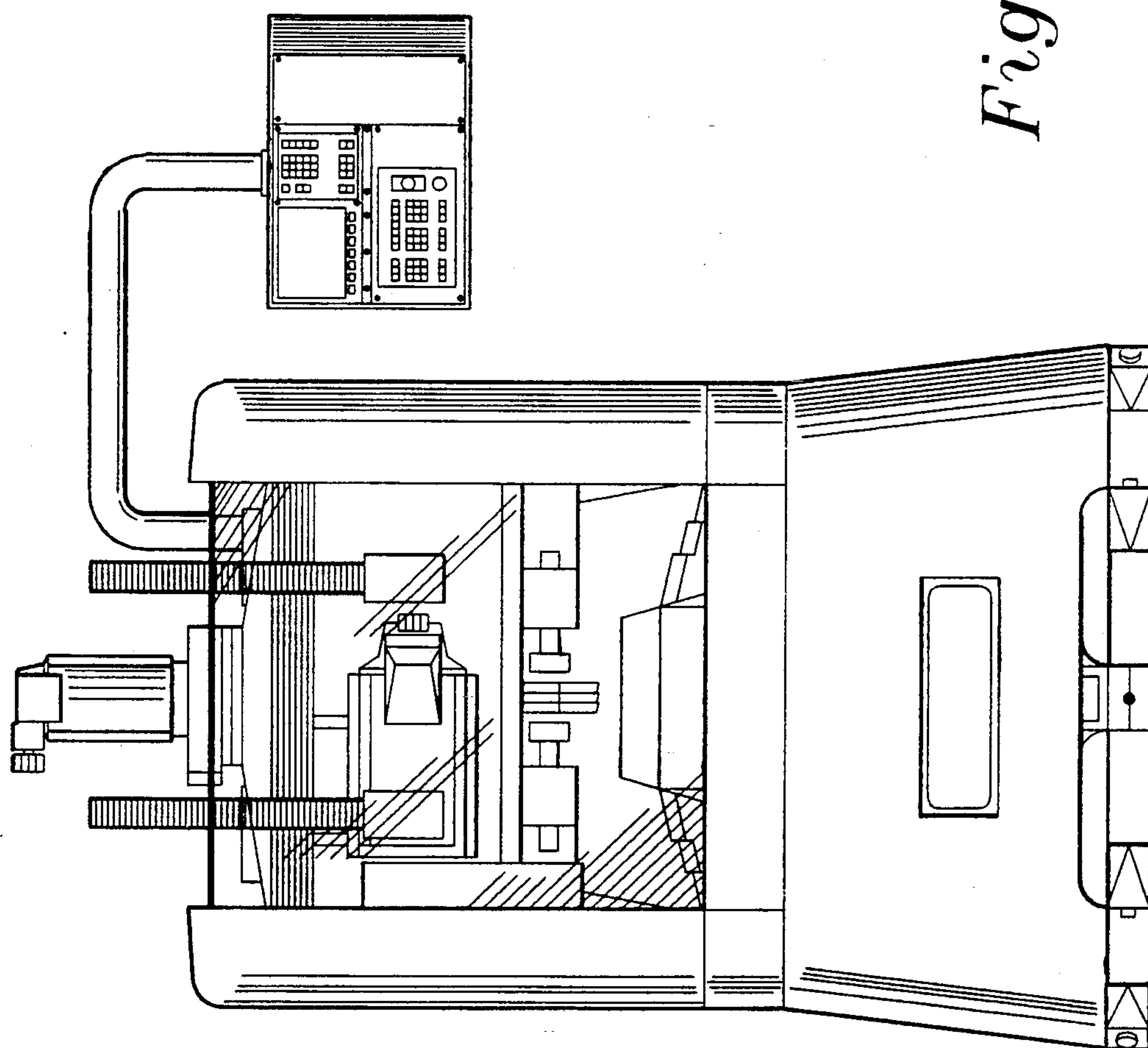
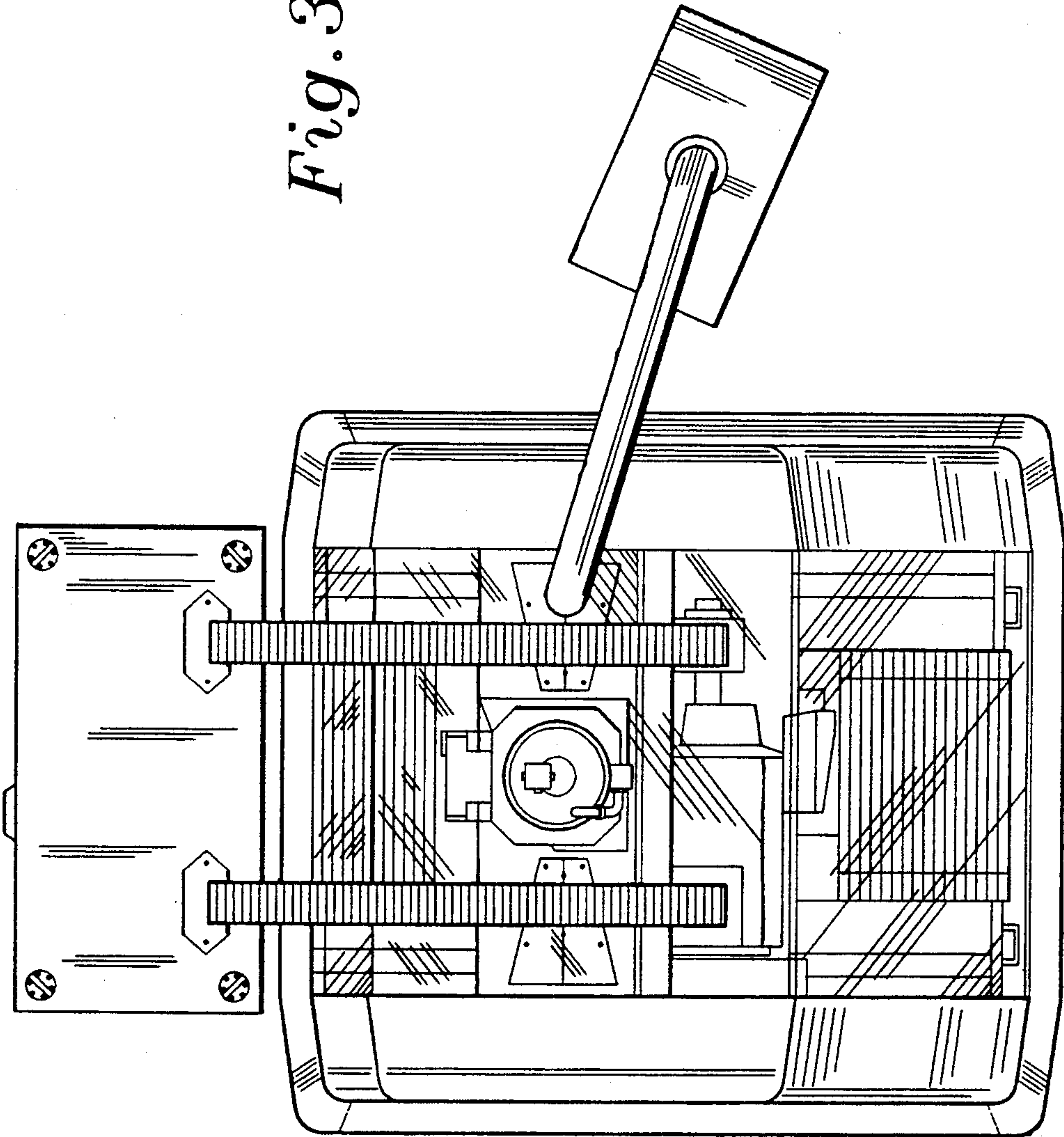


Fig. 2

Fig. 3



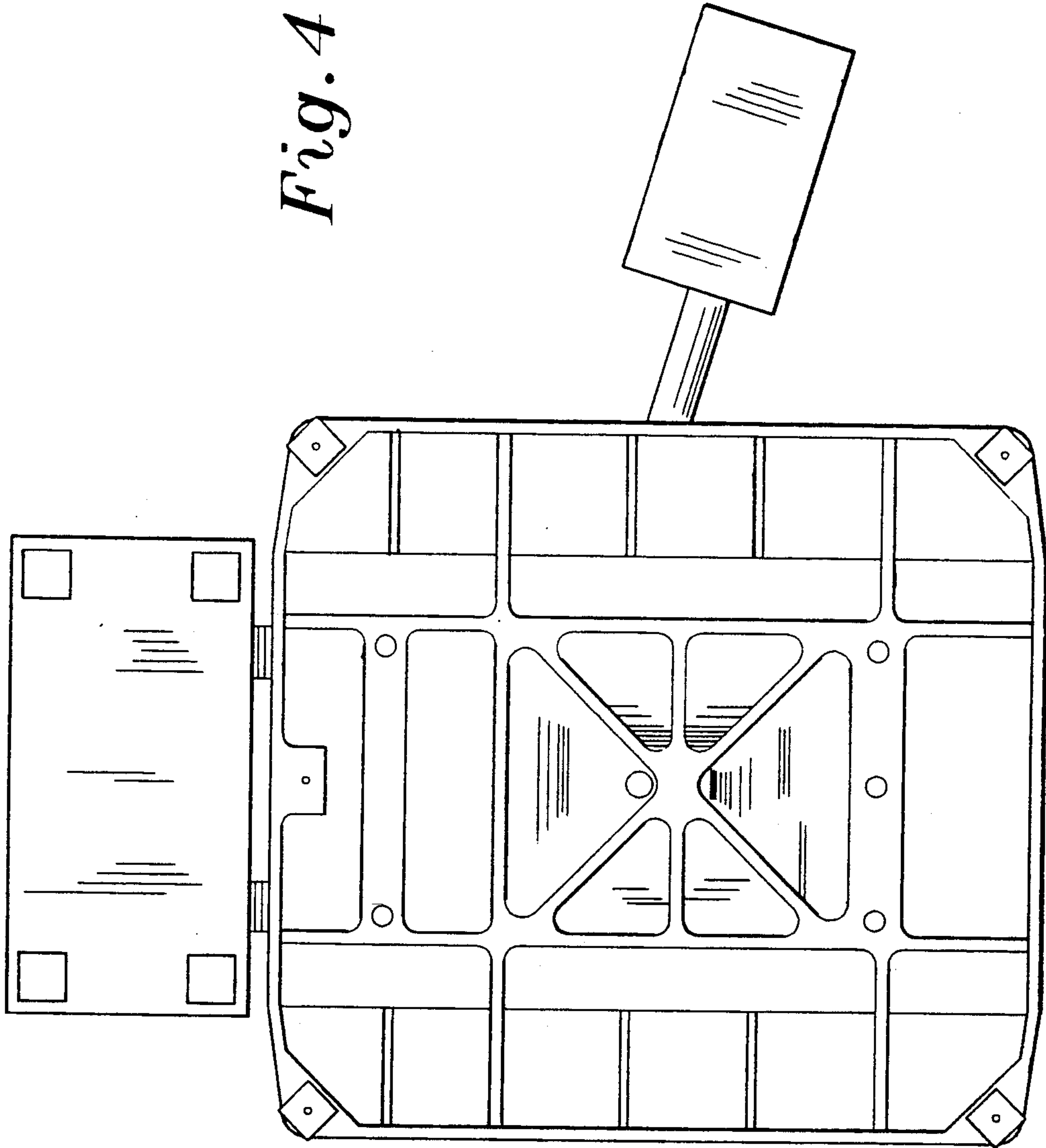


Fig. 5

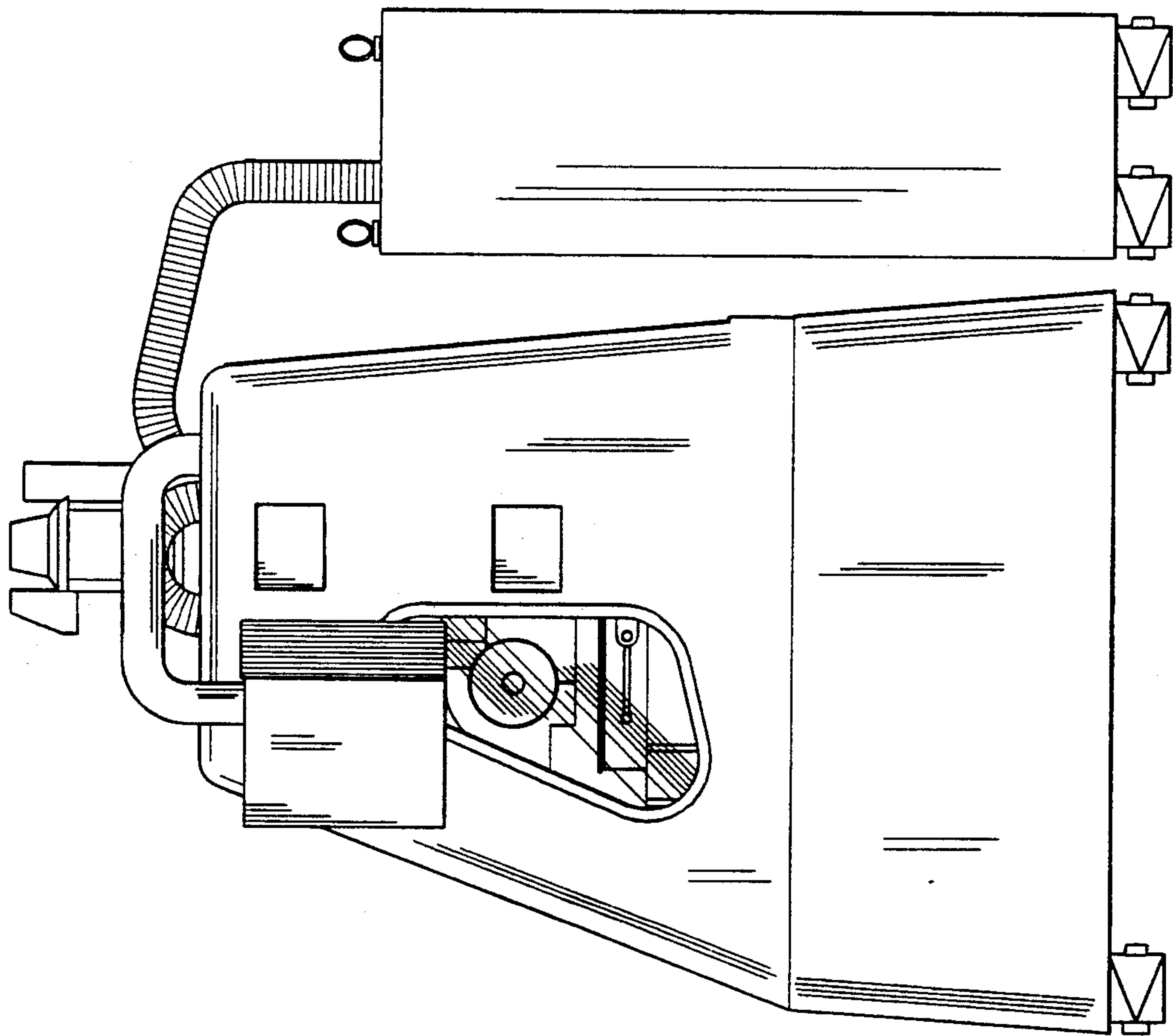
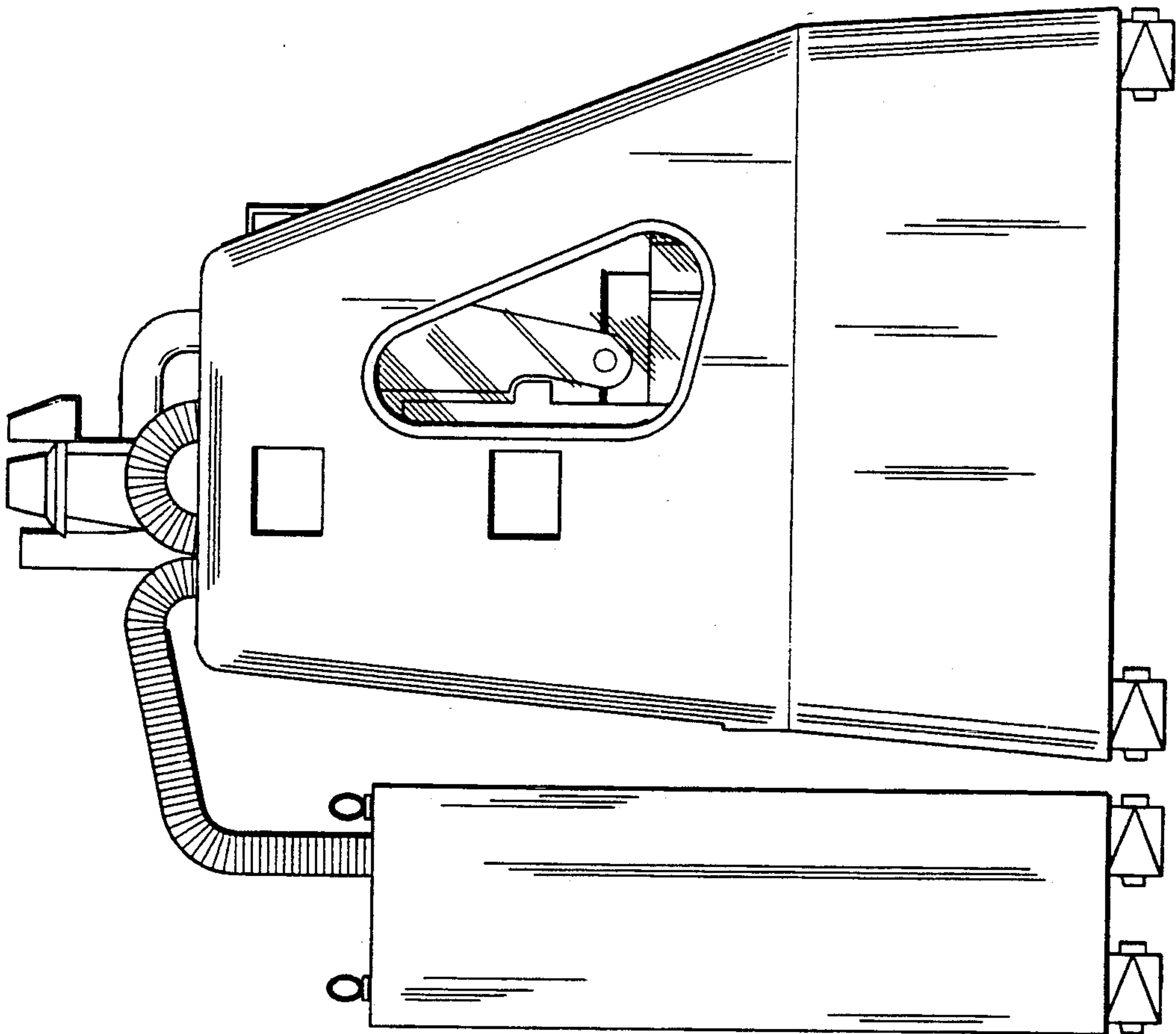


Fig. 6



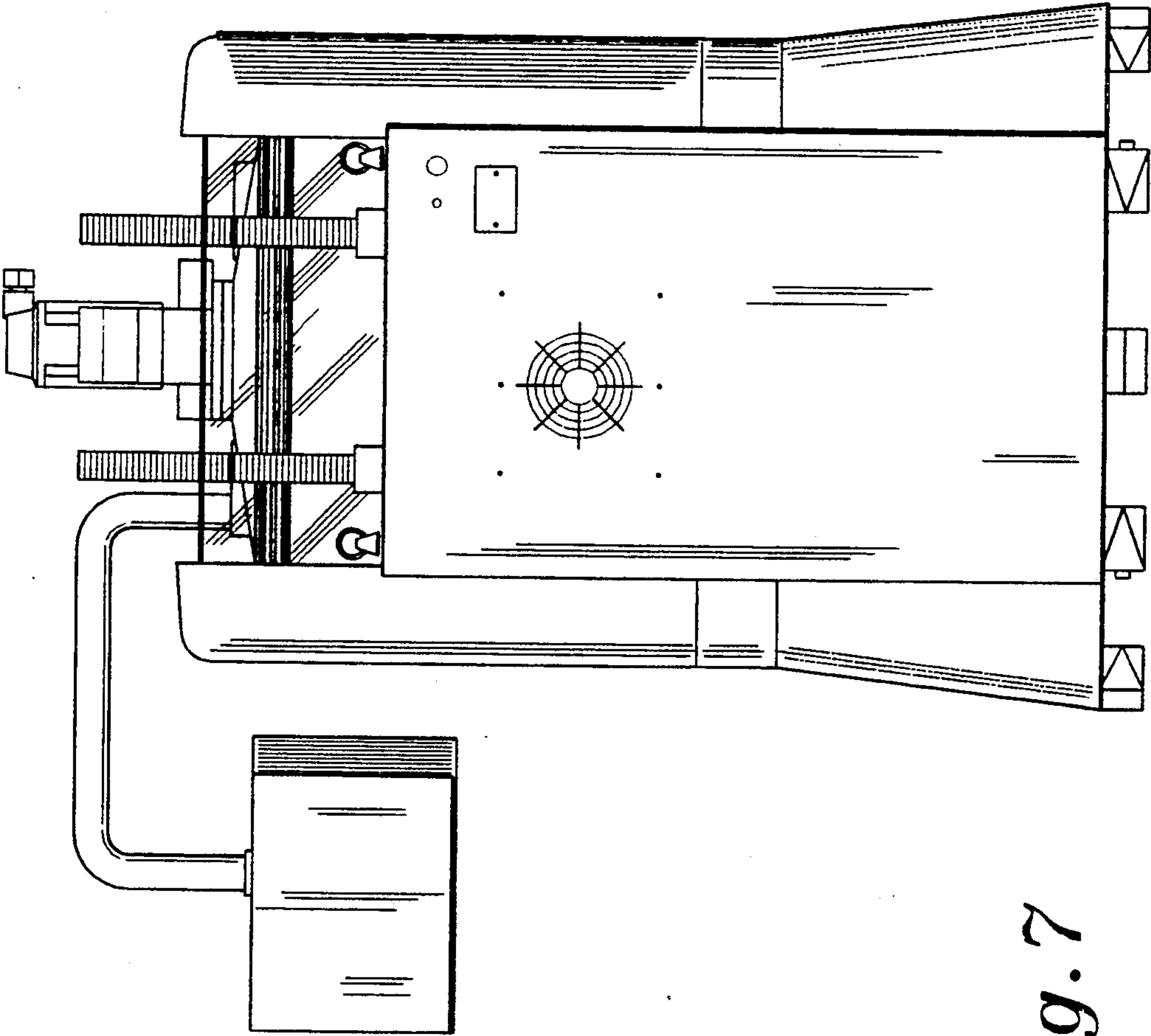


Fig. 7