



US00D330027S

# United States Patent [19]

[11] Patent Number: Des. 330,027

Kikutani

[45] Date of Patent: \*\* Oct. 6, 1992

## [54] TAPE RECORDER

[75] Inventor: Fumitaka Kikutani, Kanagawa, Japan

[73] Assignee: Sony Corporation, Tokyo, Japan

[\*\*] Term: 14 Years

[21] Appl. No.: 533,904

[22] Filed: Jun. 6, 1990

### [30] Foreign Application Priority Data

Dec. 28, 1989 [JP] Japan ..... 1-48271

[52] U.S. Cl. .... D14/165

[58] Field of Search ..... D14/154, 160-172, D14/188-198, 257, 259, 265, 299; 455/344, 347, 350, 351; 312/7.1

### [56] References Cited

#### U.S. PATENT DOCUMENTS

- D. 277,475 2/1985 Takata ..... D14/165
- D. 278,900 5/1985 Takata ..... D14/165
- D. 305,540 1/1990 Kawabe et al. .... D14/163

## OTHER PUBLICATIONS

Stereo Review, Oct. 1988, p. 69, Technics DAT recorder.

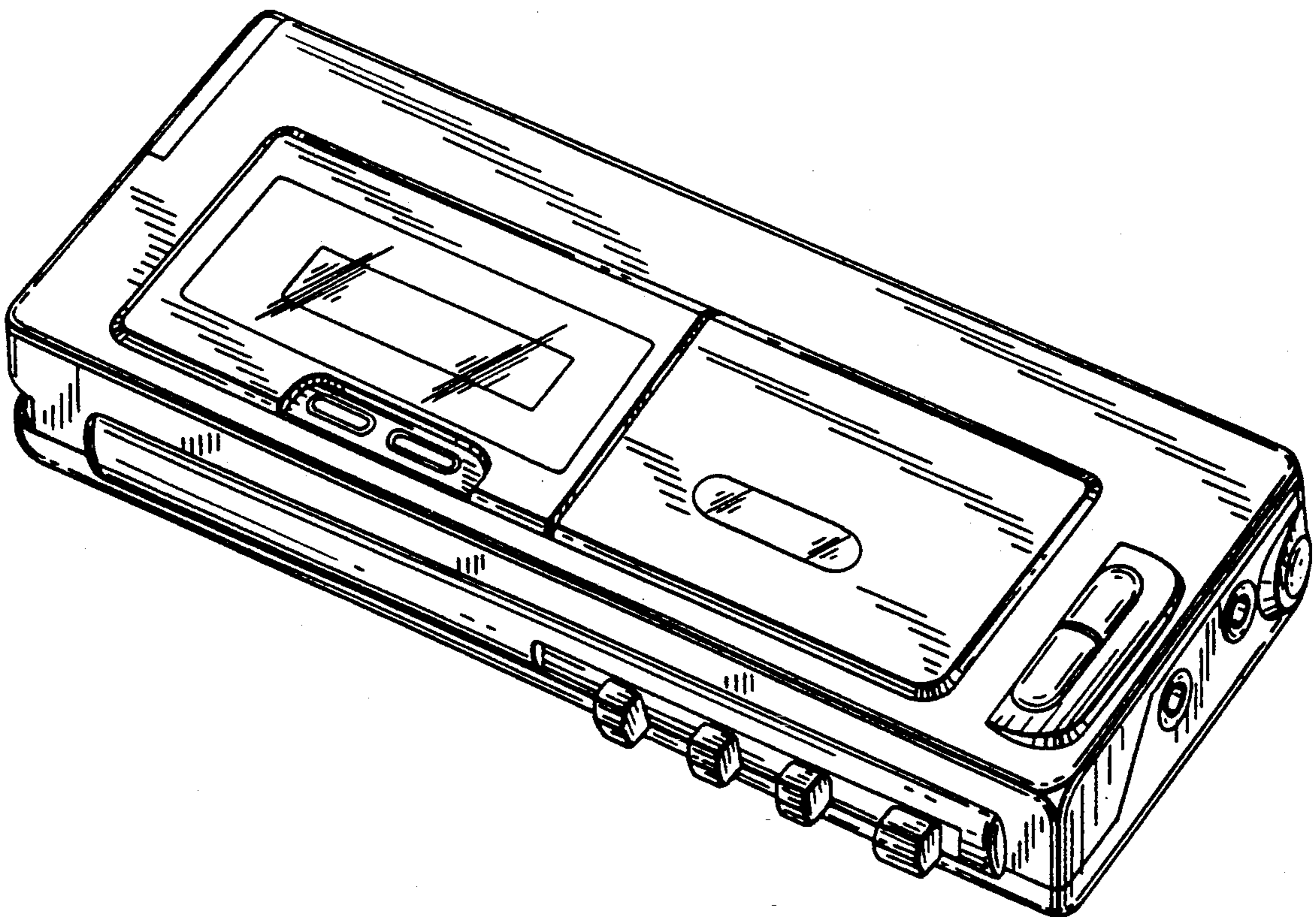
Primary Examiner—Theodore M. Shooman  
Attorney, Agent, or Firm—Lewis H. Eslinger; Jay H. Maioli

## [57] CLAIM

The ornamental design for a tape recorder, as shown and described.

## DESCRIPTION

FIG. 1 is a top, front and right-side perspective view of a tape recorder, showing my new design;  
 FIG. 2 is a bottom, rear and left-side perspective view thereof;  
 FIG. 3 is a top, front and right-side perspective view thereof, shown with cassette holder in the opened position;  
 FIG. 4 is a front elevational view thereof;  
 FIG. 5 is a rear elevational view thereof;  
 FIG. 6 is a left-side elevational view thereof;  
 FIG. 7 is a right-side elevational view thereof;  
 FIG. 8 is a top plan view thereof; and,  
 FIG. 9 is a bottom plan view thereof.



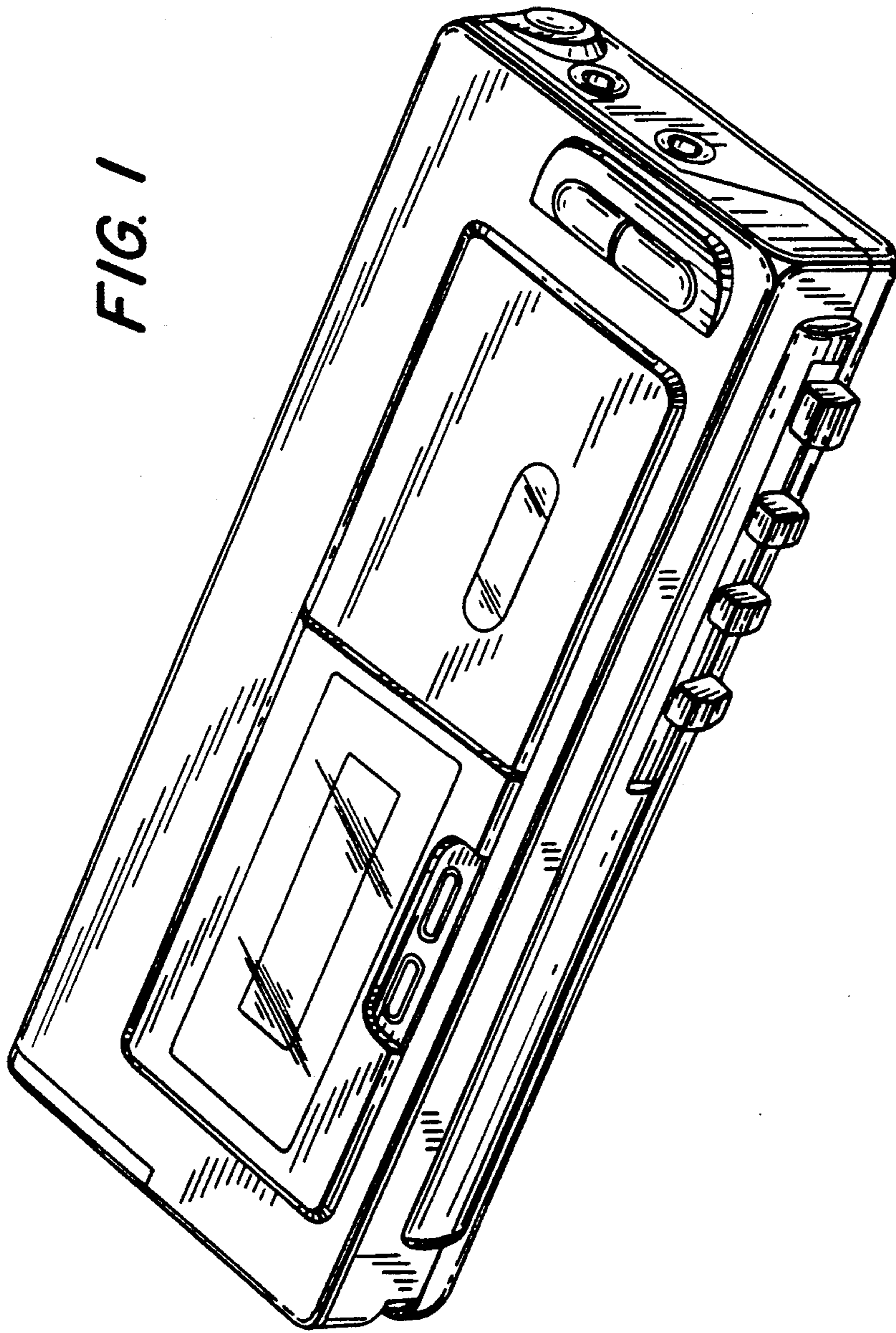
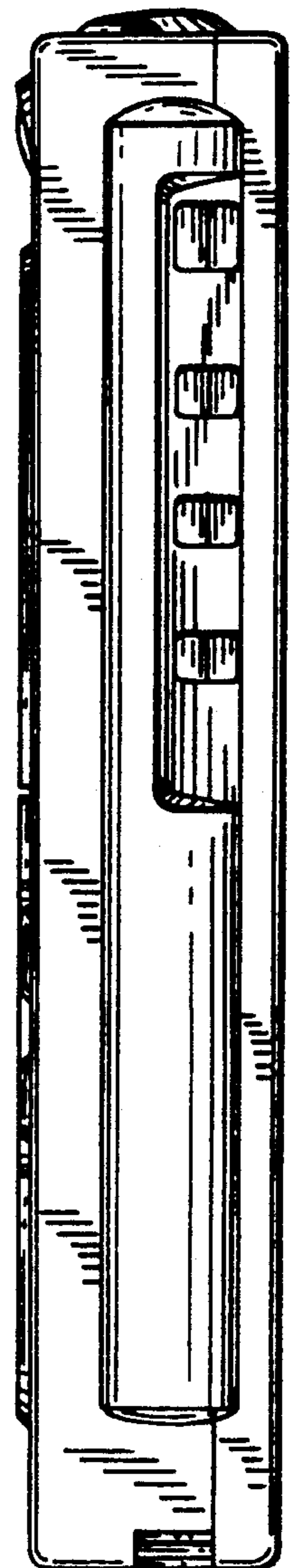


FIG. 1

FIG. 4





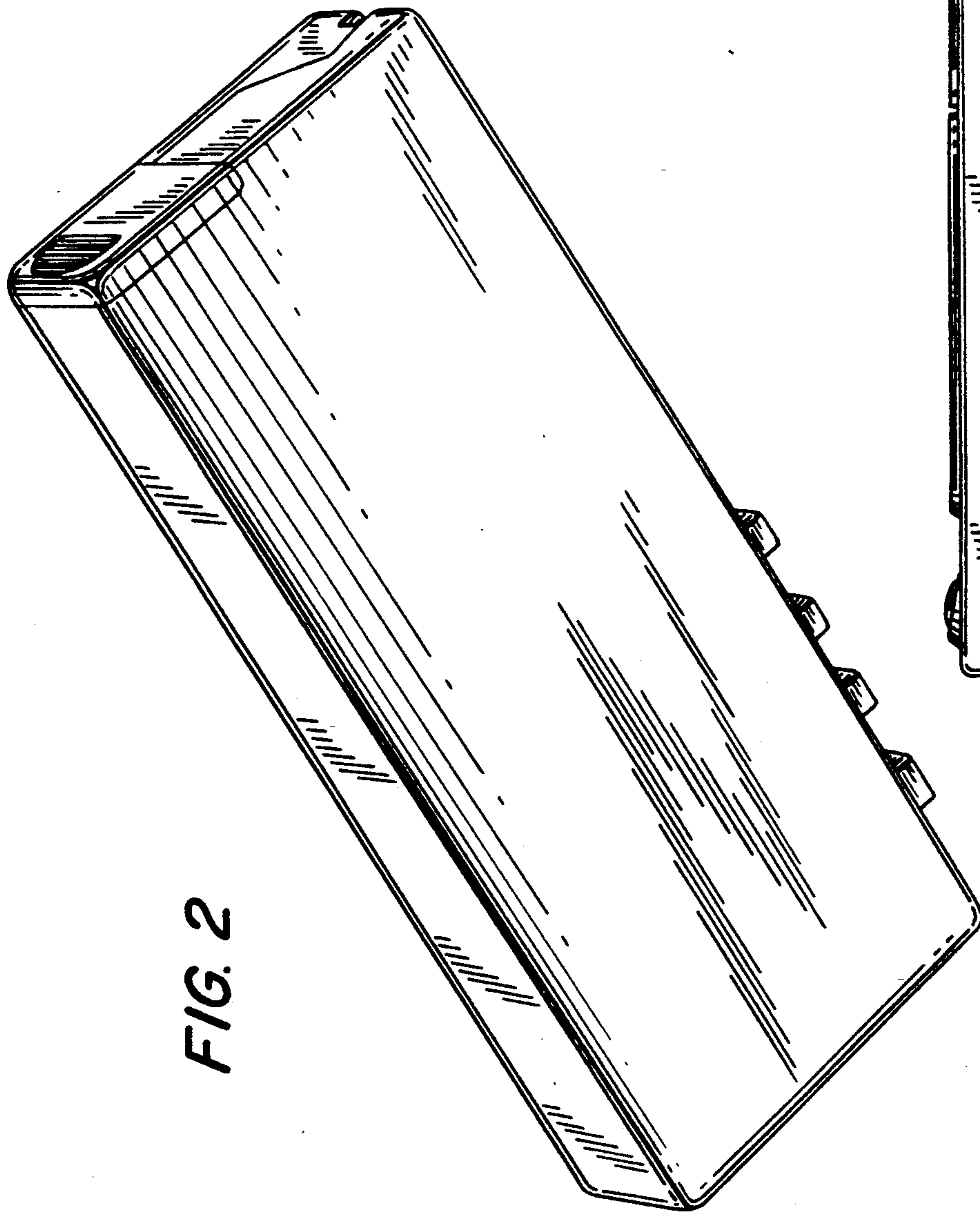
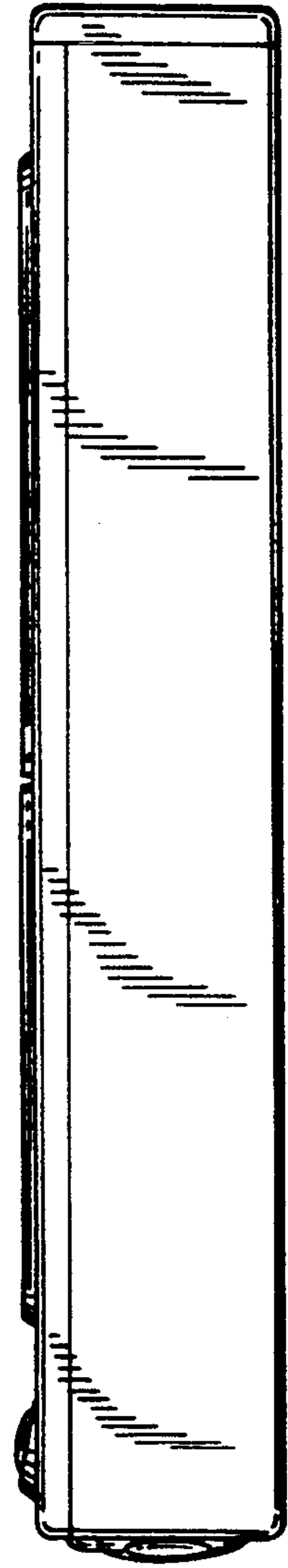


FIG. 2

FIG. 5



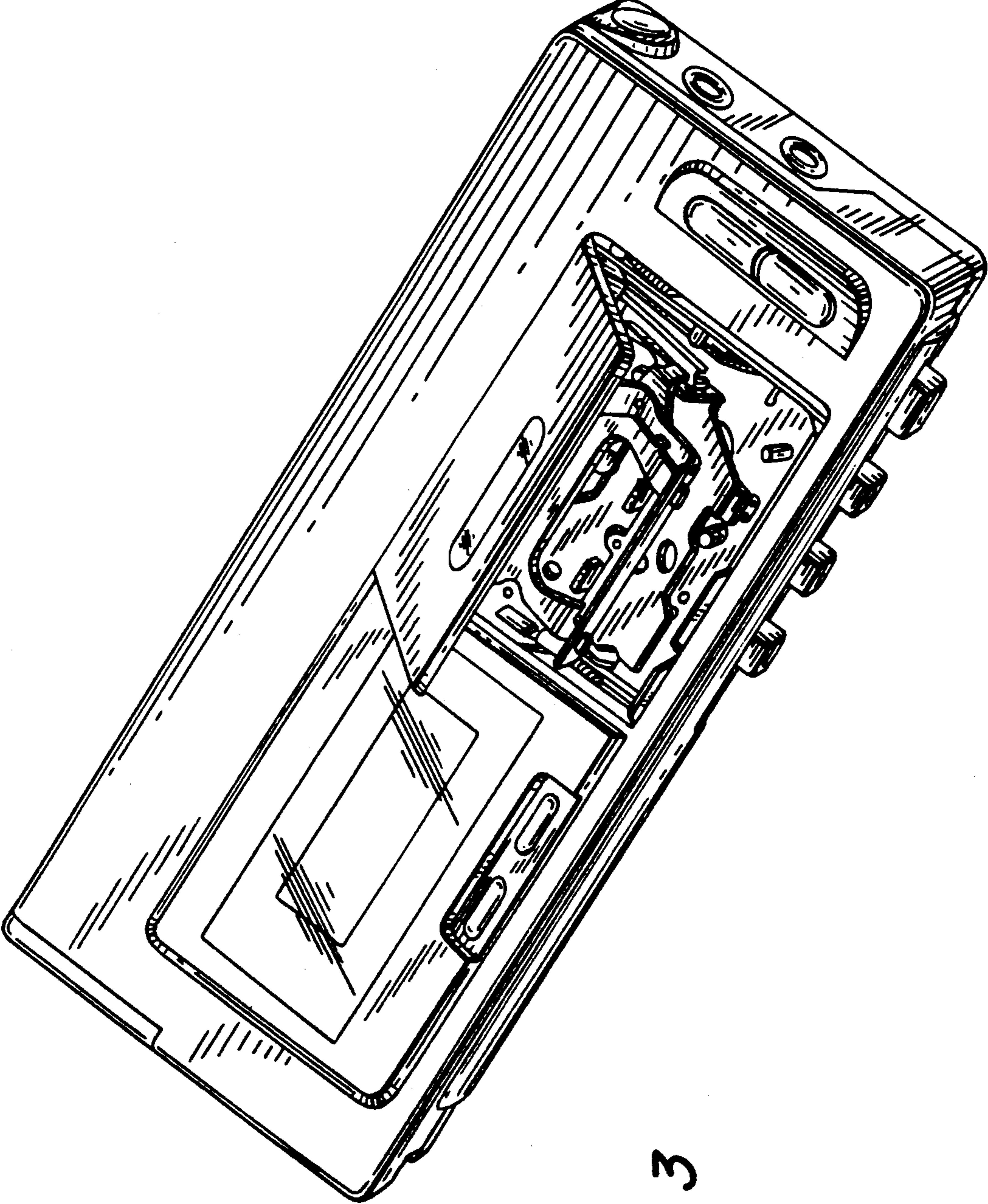
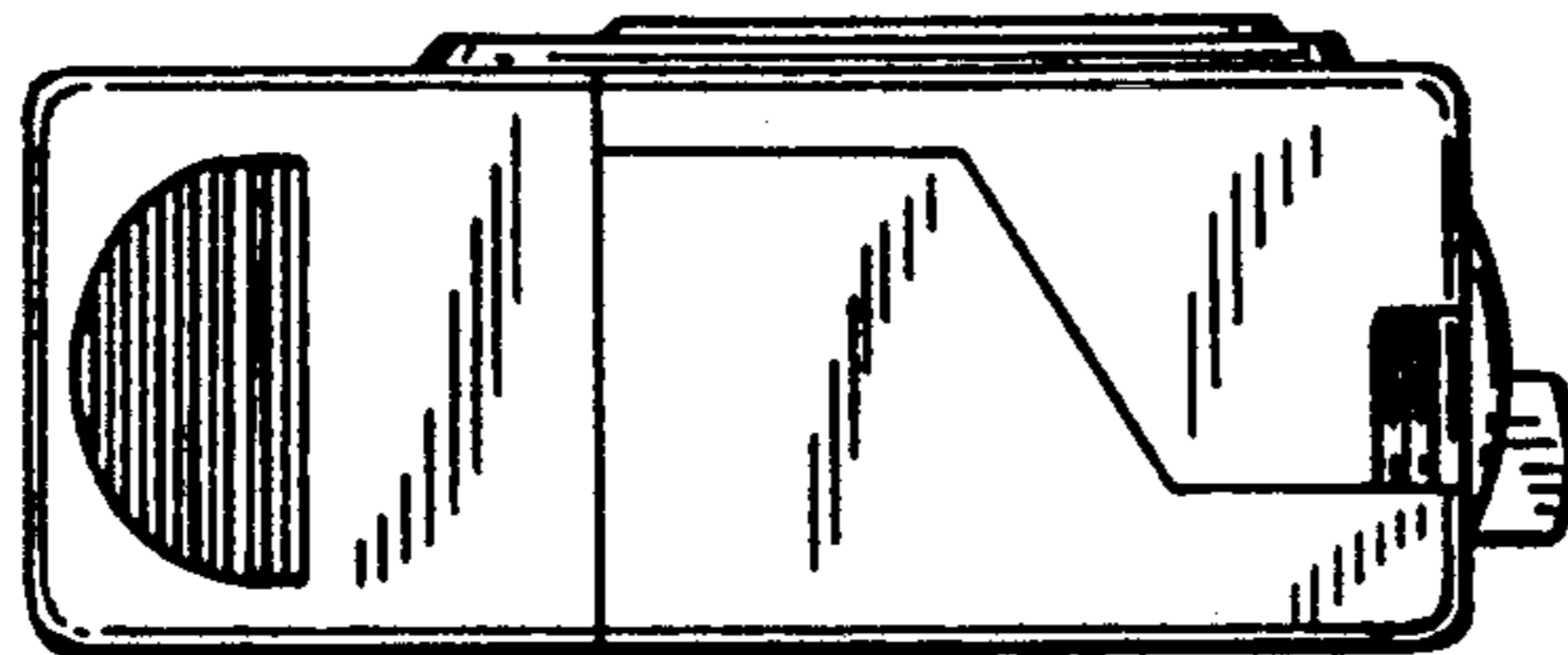
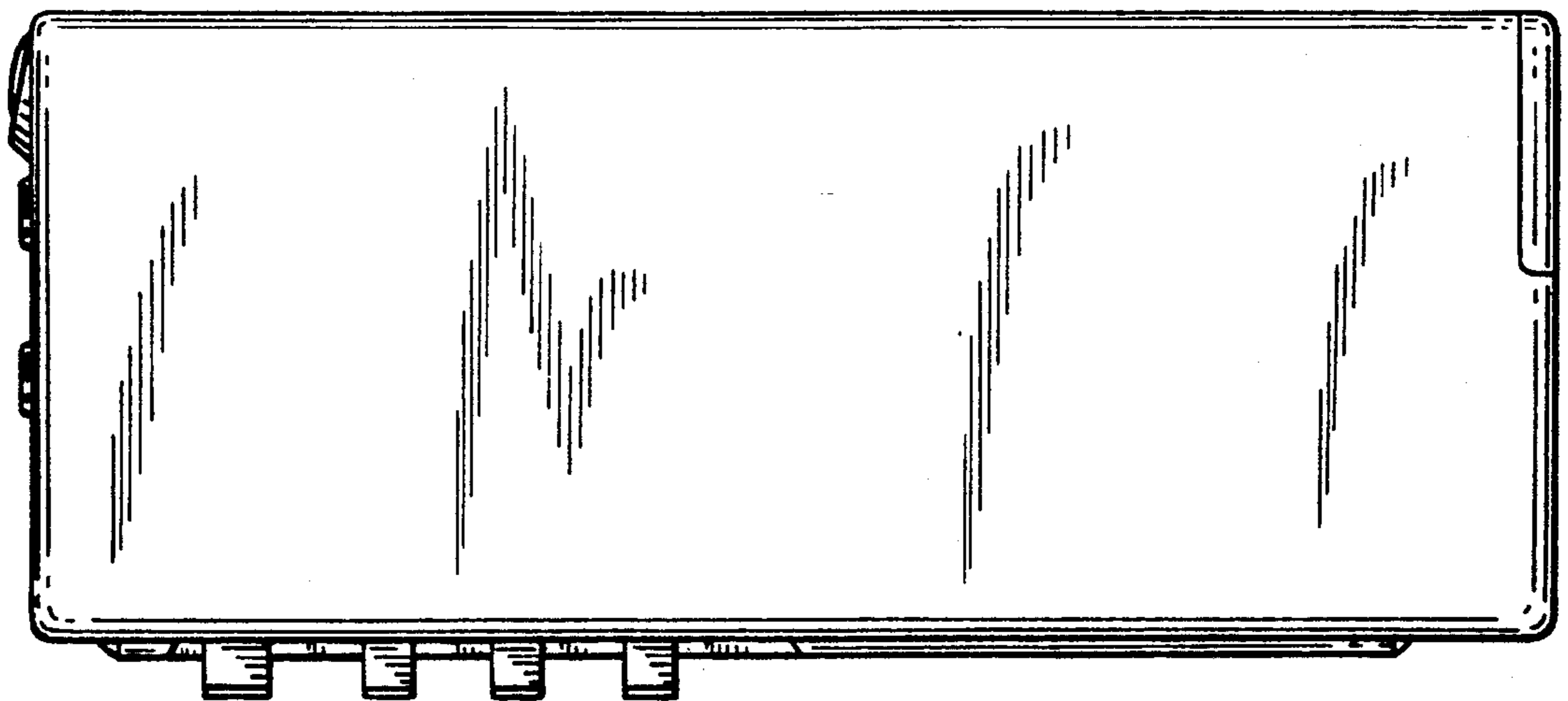


FIG. 3

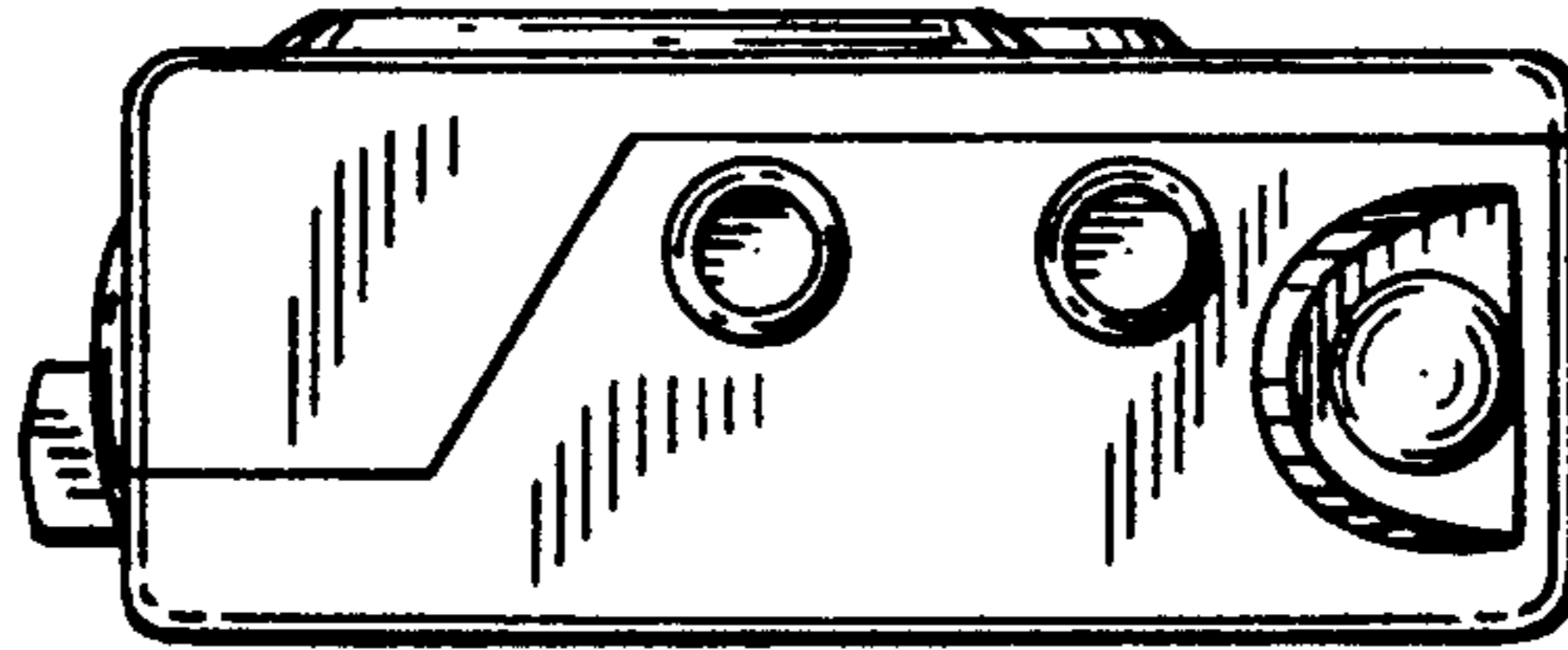
*FIG. 6*



*FIG. 9*



*FIG. 7*



*FIG. 8*

