



US00D330022S

United States Patent [19]

[11] Patent Number: **Des. 330,022**

Chen

[45] Date of Patent: **** Oct. 6, 1992**

[54] **VIDEO GAME DISKETTE CARD**

[75] Inventor: **Michael Chen, Taipei, Taiwan**

[73] Assignee: **Bit Corporation, Taipei, Taiwan**

[**] Term: **14 Years**

[21] Appl. No.: **483,588**

[22] Filed: **Feb. 21, 1990**

[52] U.S. Cl. **D14/117; D14/114**

[58] Field of Search **D14/100, 114, 117, 121; D21/13, 48; 369/106, 109, 291; 273/148 B; 360/99.01, 132, 133, 133 A, 133 B, 133 C; 206/312, 444**

FOREIGN PATENT DOCUMENTS

3220365 12/1982 European Pat. Off. 360/133

OTHER PUBLICATIONS

TOWA IC Card Card System TOWA Electron Co., Ltd. Oct. 6, 1987 Brochure Card Pop.

Primary Examiner—Wallace R. Burke

Assistant Examiner—Freda S. Nunn

Attorney, Agent, or Firm—Dellett, Smith-Hill and Bedell

[57] **CLAIM**

The ornamental design for a video game diskette card, as shown and described.

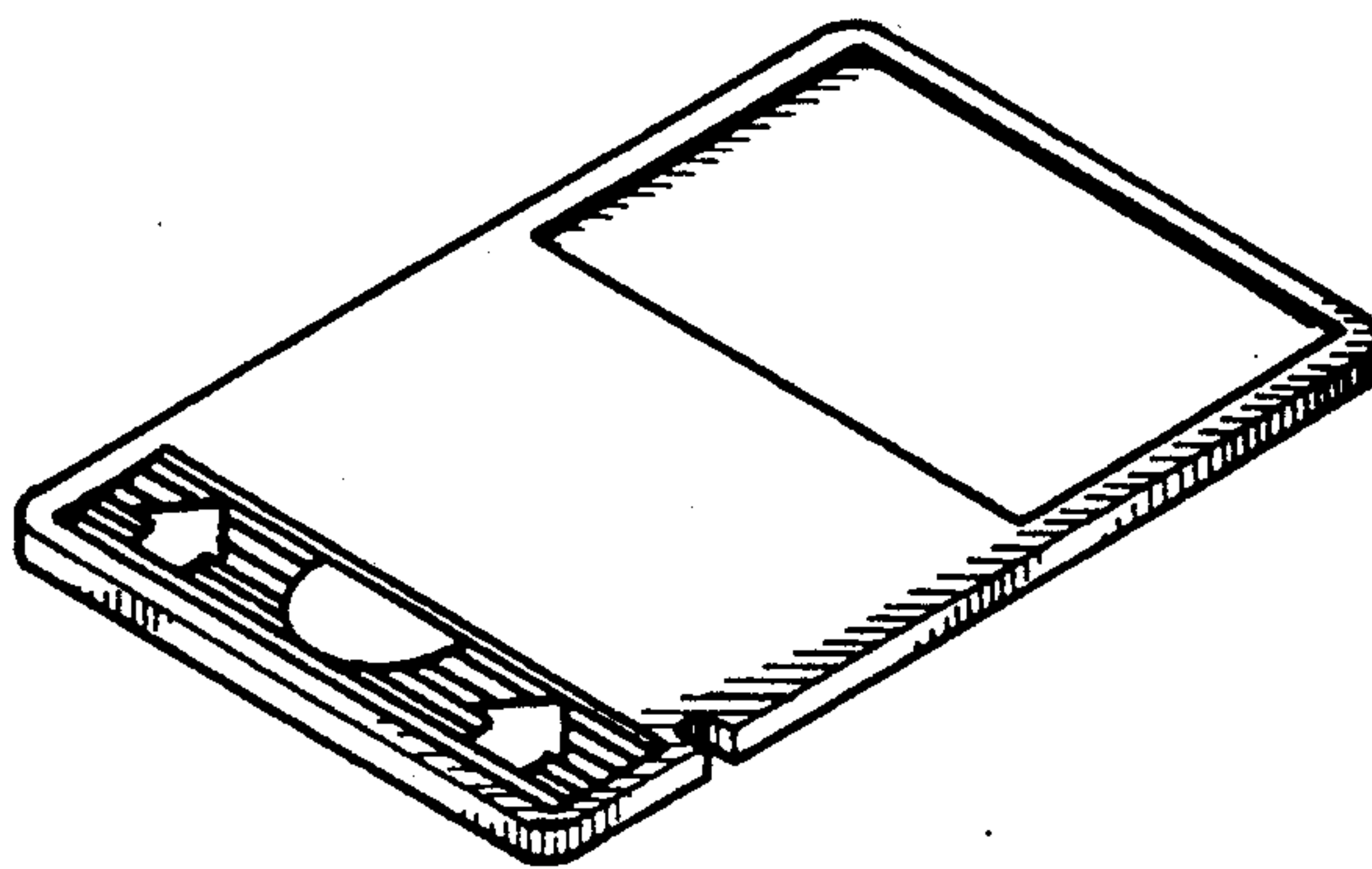
[56] **References Cited**

U.S. PATENT DOCUMENTS

D. 291,698	9/1987	Hirooka et al.	D14/114
D. 304,448	11/1989	De La Cruz et al.	D14/114
D. 305,886	2/1990	Banjo et al.	D14/117
D. 311,391	10/1990	Ueshin et al.	D14/114
D. 312,081	11/1990	Yukawa	D14/114 X
D. 313,229	12/1990	Audebert et al.	D14/117
4,755,982	7/1988	Douwes	369/291

DESCRIPTION

FIG. 1 is a top perspective view of a video game diskette card showing my new design; FIG. 2 is a front elevational view thereof, the rear elevational view being identical; FIG. 3 is a left side elevational view thereof; FIG. 4 is a right side elevational view thereof; FIG. 5 is a top plan view thereof; and, FIG. 6 is a bottom plan view thereof.



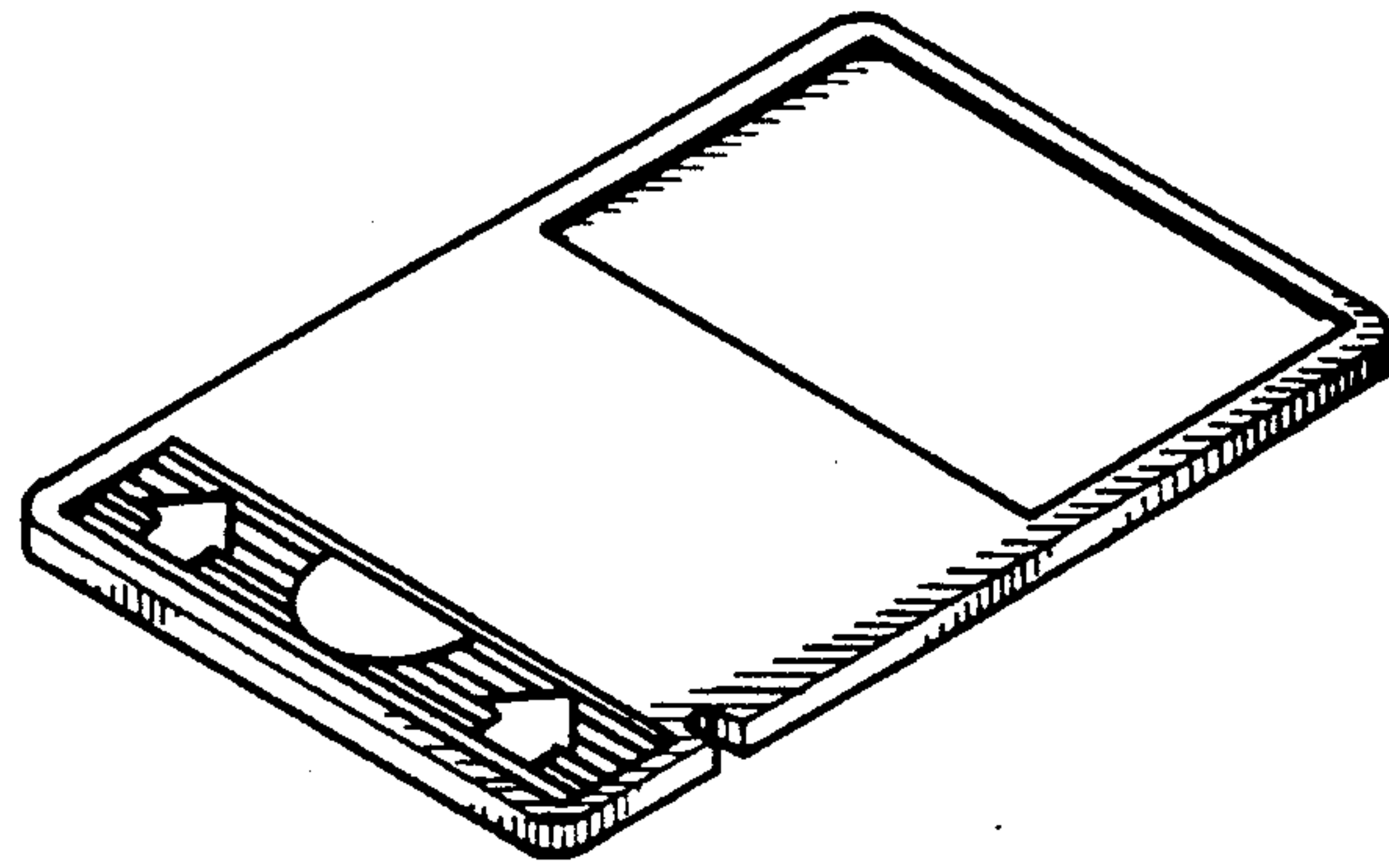


FIG. 1

