



US00D330019S

# United States Patent [19]

[11] Patent Number: **Des. 330,019**

DeVolpi

[45] Date of Patent: **\*\* Oct. 6, 1992**

[54] **JOY STICK**

4,816,622 3/1989 Holloway ..... 340/709 X  
4,879,556 11/1989 Dwinel ..... 340/709 X

[76] Inventor: **Dean DeVolpi**, 607 Columbine, Lisle, Ill. 60532

*Primary Examiner*—Susan J. Lucas  
*Assistant Examiner*—M. H. Tung  
*Attorney, Agent, or Firm*—Hill, Van Santen, Steadman & Simpson

[\*\*] Term: **14 Years**

[21] Appl. No.: **552,607**

[22] Filed: **Jul. 16, 1990**

[52] U.S. Cl. .... **D14/114; D21/48**

[58] Field of Search ..... D14/100, 114; D13/158; D21/48; 178/18, 19; 200/5 R, 5 A, 6 R, 6 A; 273/148 B; 340/707, 709-710; 74/471 XY

[57] **CLAIM**

The ornamental design for a joy stick, as shown.

[56] **References Cited**

**U.S. PATENT DOCUMENTS**

D. 290,719 7/1987 Holloway ..... D14/114 X  
D. 303,405 9/1989 Kim ..... D21/48  
D. 319,081 8/1991 Ishiwata ..... D21/48  
4,459,440 7/1984 Wiczer ..... 200/6 A

**DESCRIPTION**

FIG. 1 is a front right perspective view of a joy stick showing my new design;  
FIG. 2 is a front elevational view thereof;  
FIG. 3 is a rear elevational view thereof;  
FIG. 4 is a top plan view thereof;  
FIG. 5 is a right side elevational view thereof;  
FIG. 6 is a bottom plan view thereof; and,  
FIG. 7 is a left side elevational view thereof.

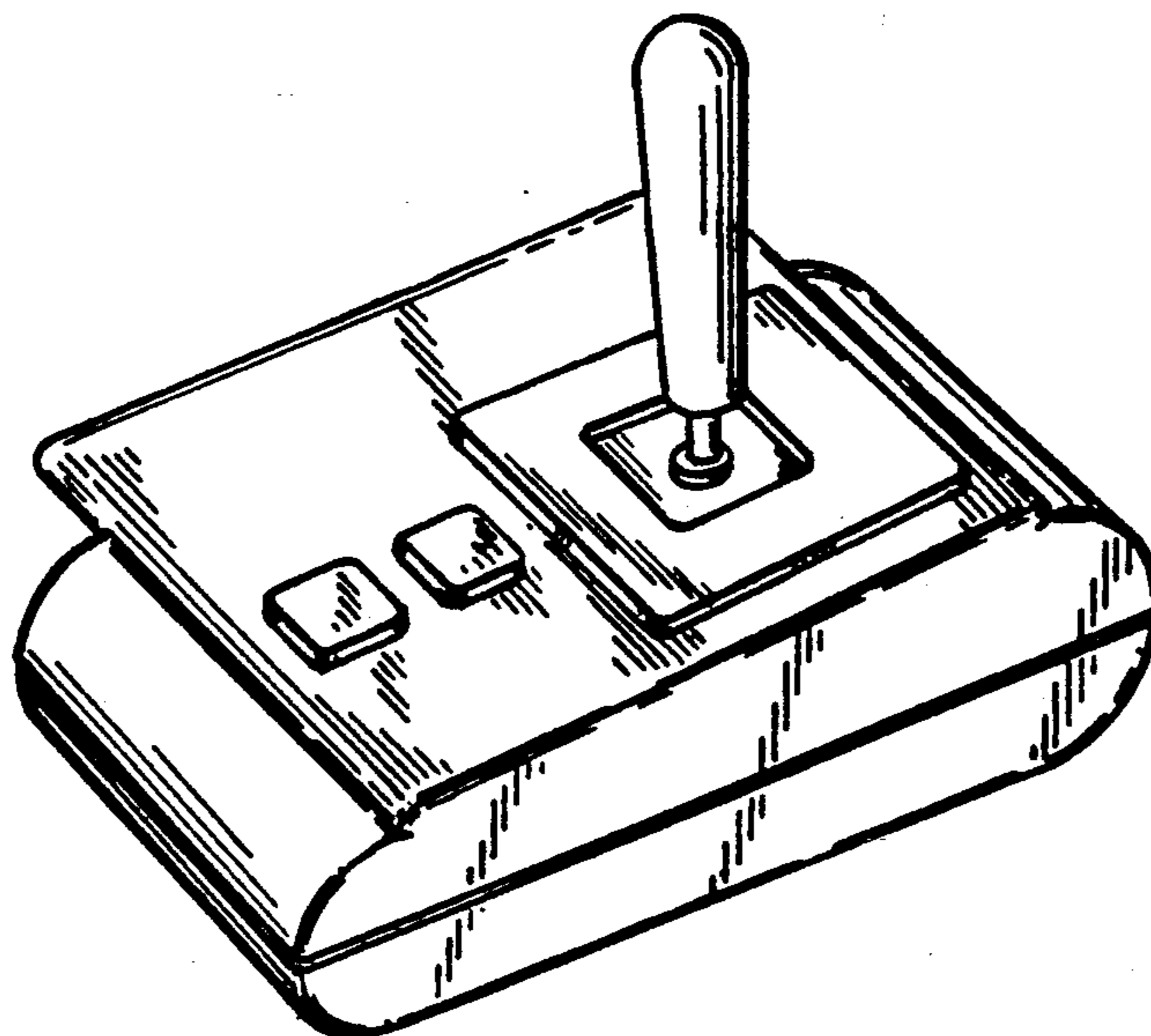


FIG. 1

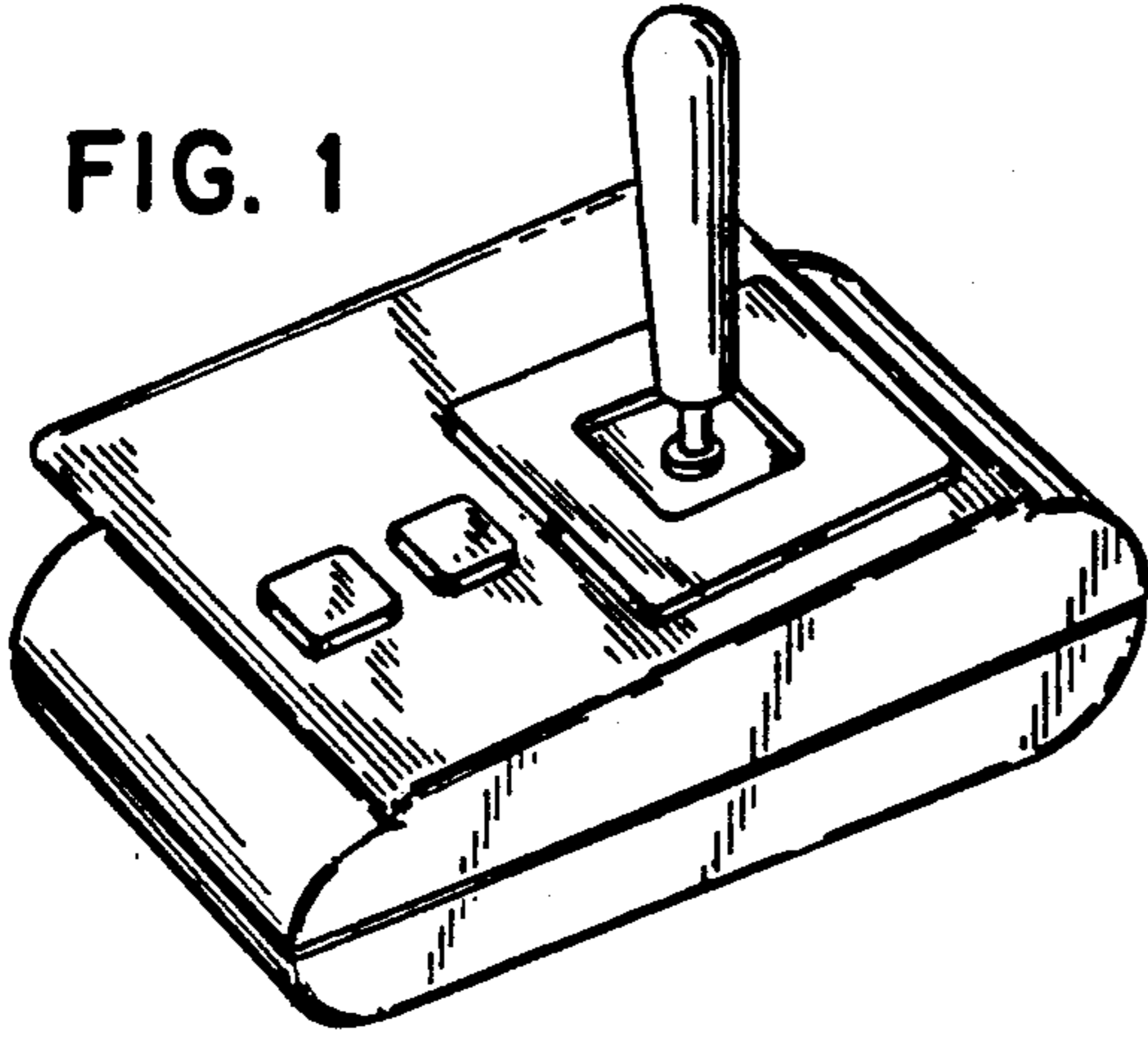


FIG. 2

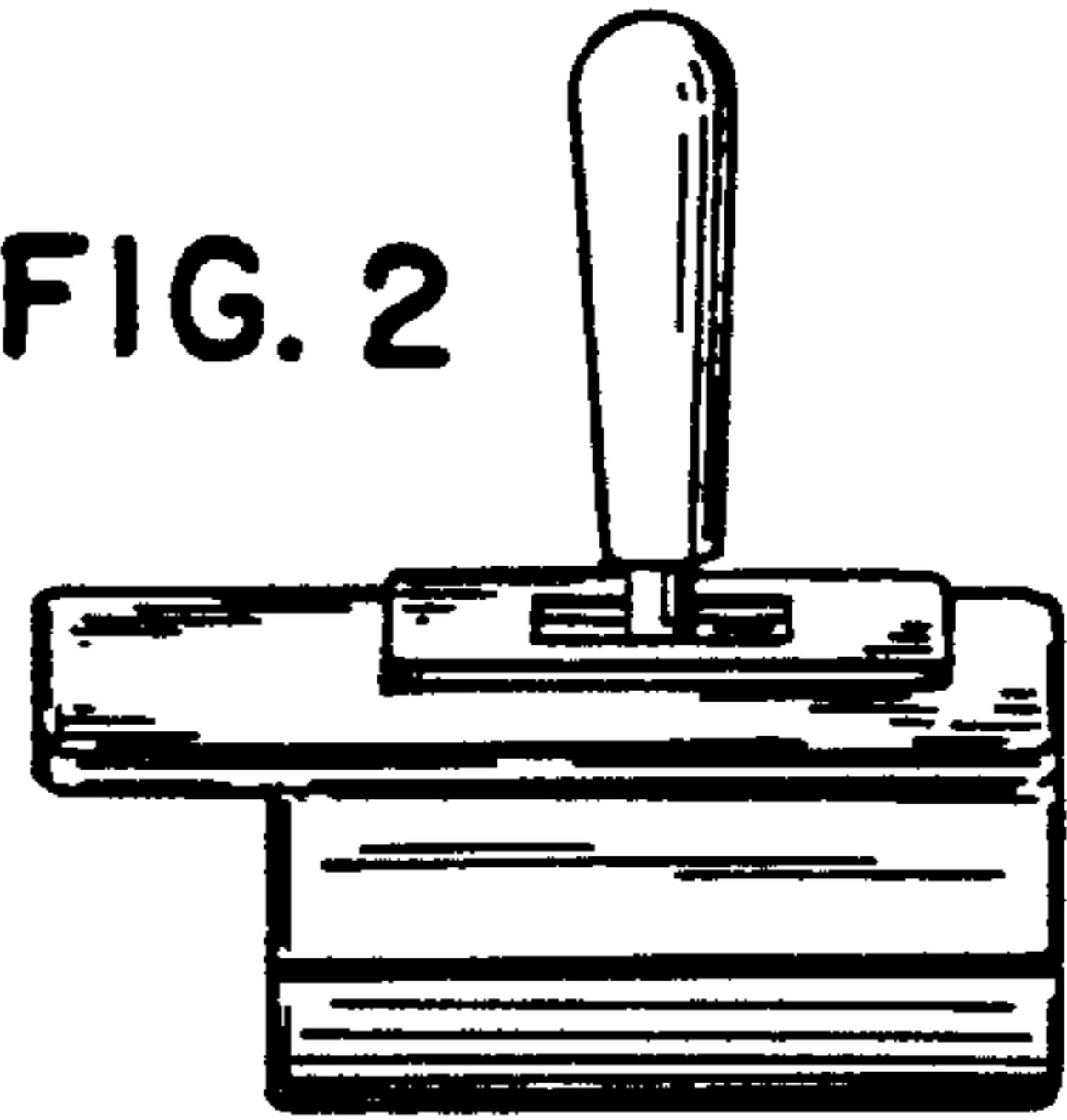


FIG. 3

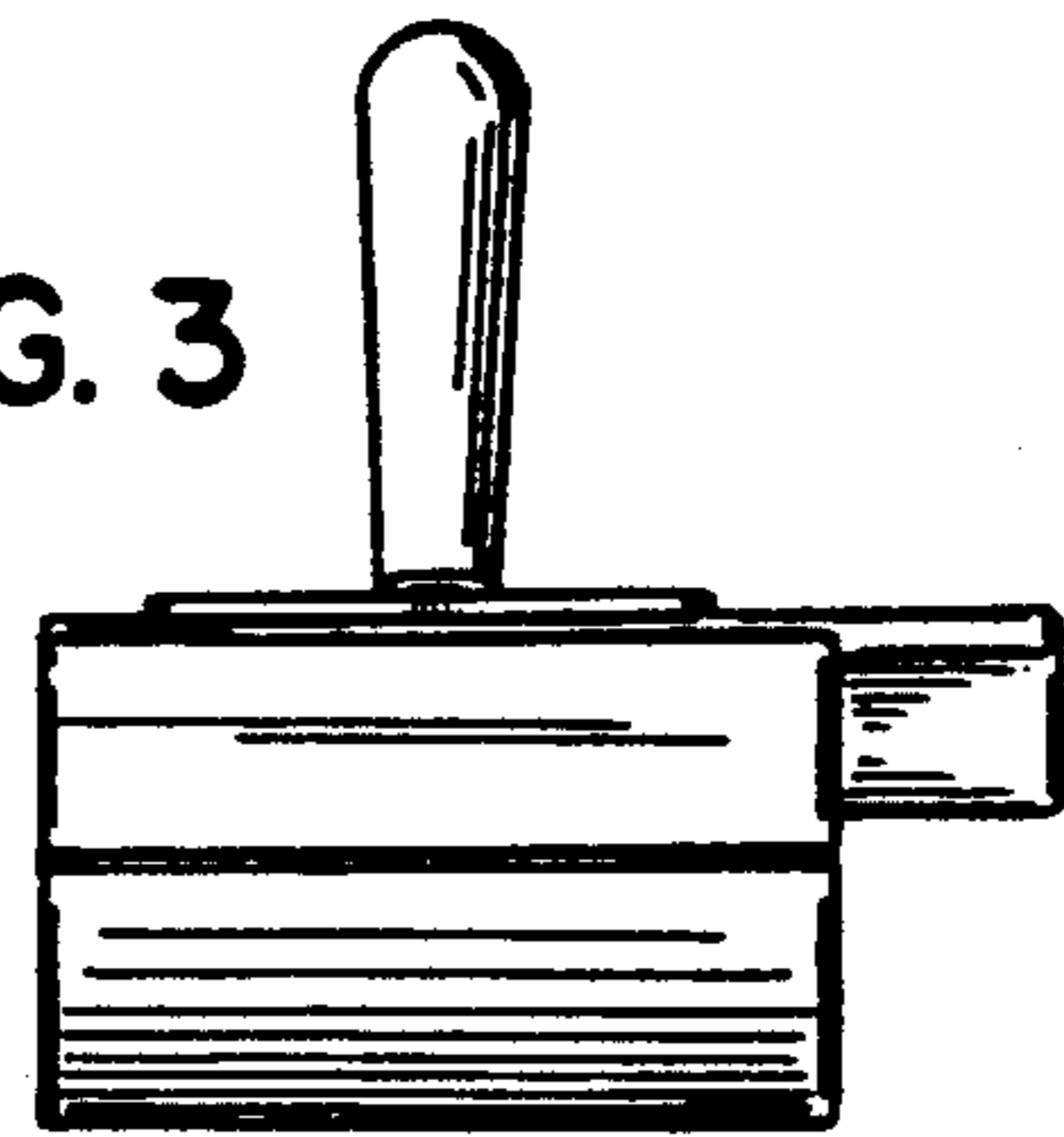


FIG. 4

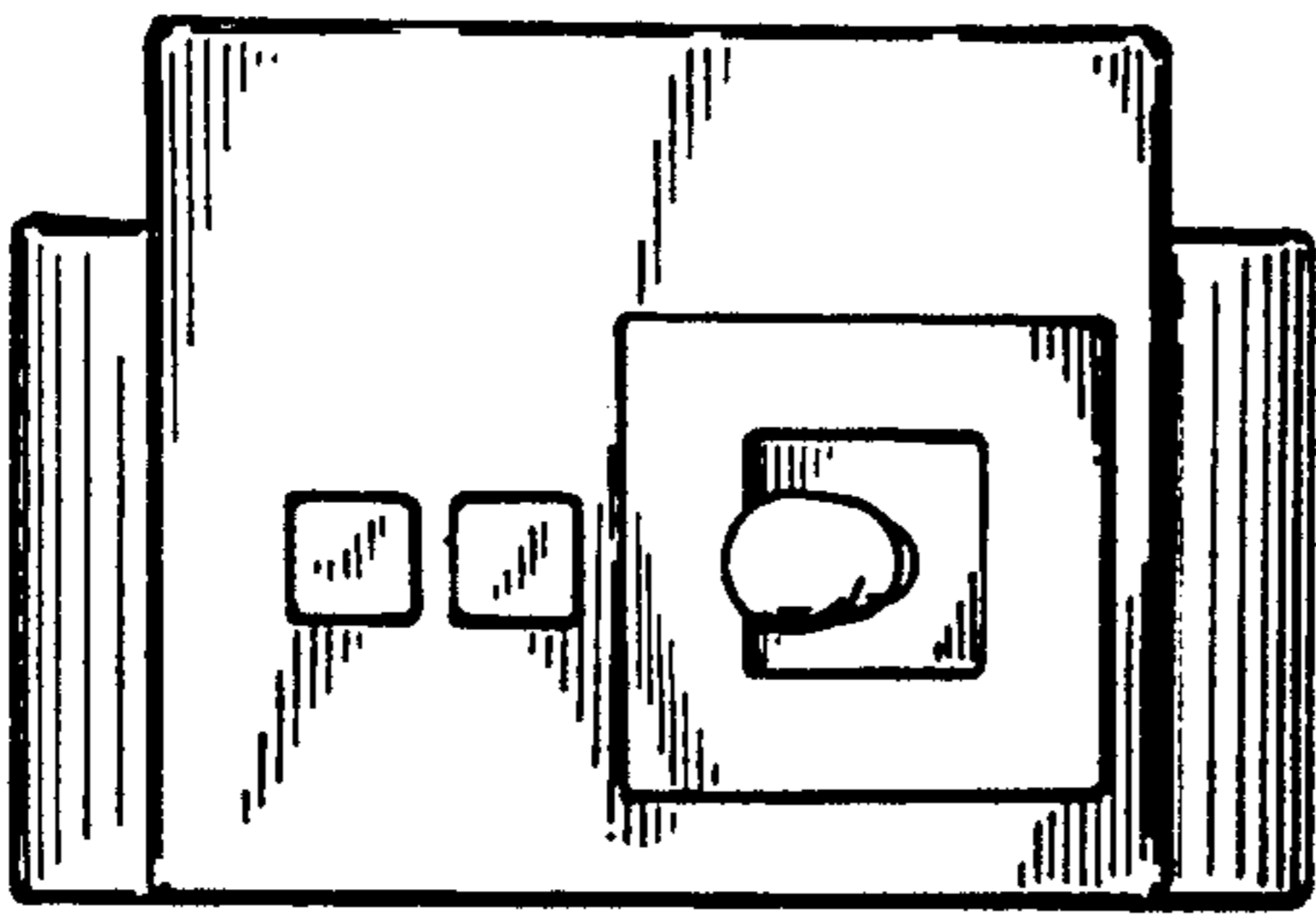


FIG. 5

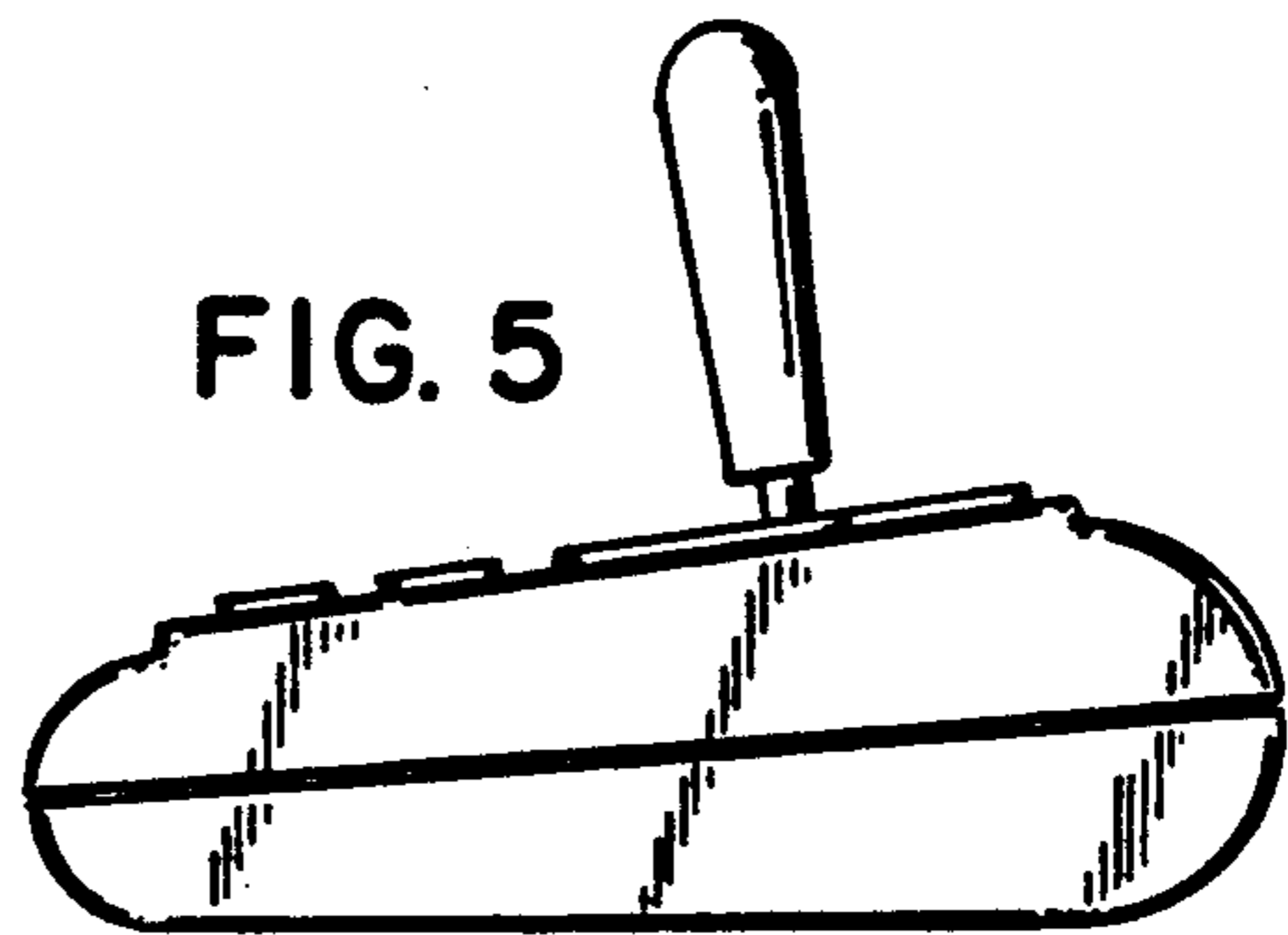


FIG. 6

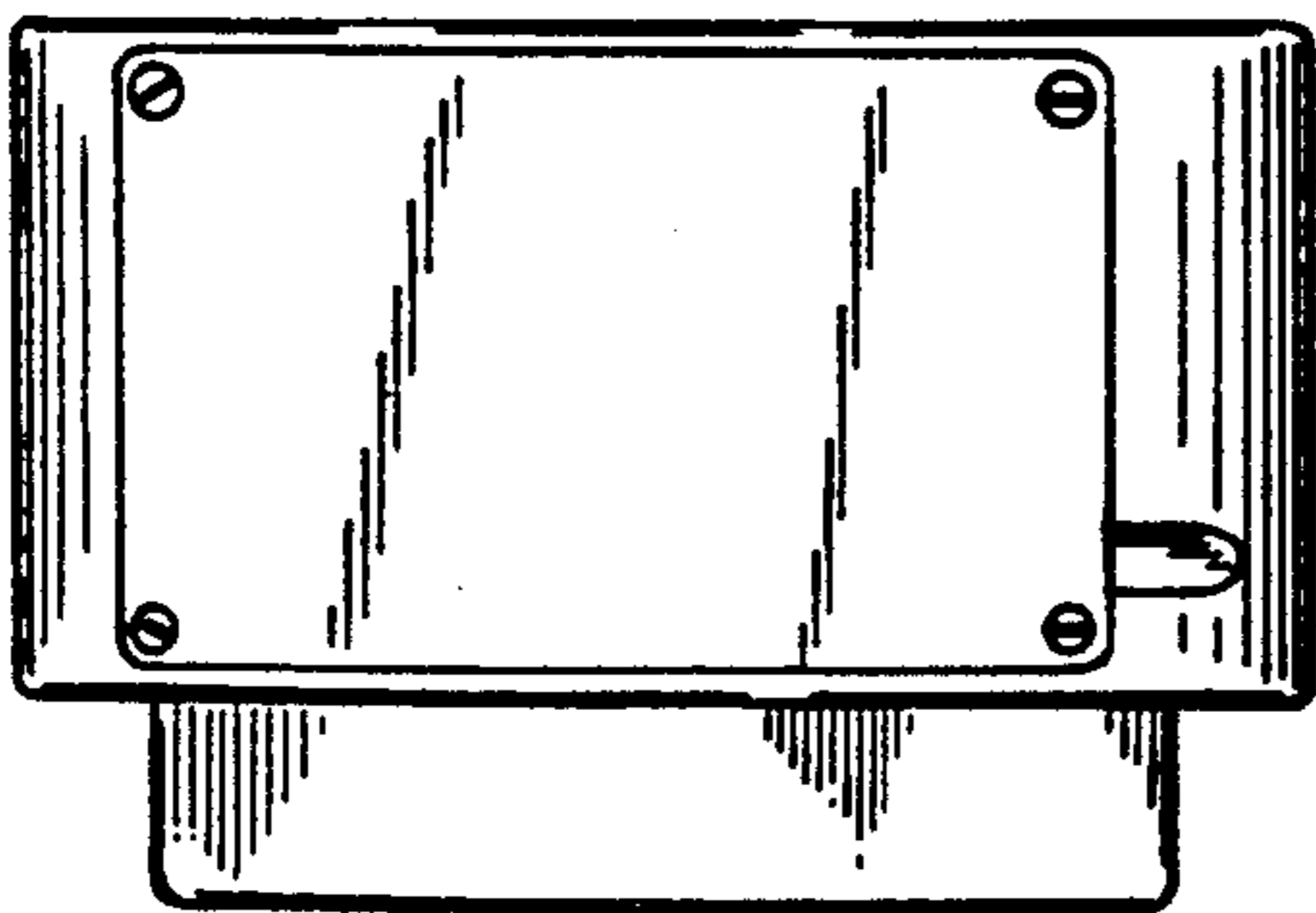


FIG. 7

