



US00D330017S

United States Patent [19]

[11] Patent Number: **Des. 330,017**

Falkner et al.

[45] Date of Patent: **** Oct. 6, 1992**

[54] VIDEO DISPLAY MONITOR

[75] Inventors: **Maria J. Falkner, Arlington; Bernard J. Maurer, Melrose, both of Mass.**

[73] Assignee: **Digital Equipment Corporation, Maynard, Mass.**

[**] Term: **14 Years**

[21] Appl. No.: **764,951**

[22] Filed: **Sep. 24, 1991**

Related U.S. Application Data

[63] Continuation of Ser. No. 467,218, Jan. 19, 1990, abandoned.

[52] U.S. Cl. **D14/113**

[58] Field of Search **D14/100, 101, 106, 113, D14/115, 124-126; D18/1, 4, 12; 340/700, 706, 711, 712; 341/22, 23, 26; 358/248, 249, 252-255, 64; 364/706-710.14; 312/208; 248/917-923**

[56] References Cited

U.S. PATENT DOCUMENTS

- D. 277,383 1/1985 Boudreau et al. D14/113
- D. 299,347 1/1989 Landry et al. D14/113
- D. 300,829 4/1989 Morgan D14/113
- D. 310,356 9/1990 Barron et al. D14/113
- D. 311,738 10/1990 Landry et al. D14/113
- D. 313,407 1/1991 Kao D14/113
- D. 314,375 2/1991 Sacherman et al. D14/113
- D. 314,563 2/1991 Maurer et al. D14/113
- D. 314,952 2/1991 Orchard et al. D14/113
- D. 316,547 4/1991 Faranda et al. D14/113

FOREIGN PATENT DOCUMENTS

92700 7/1989 Rep. of Korea .

OTHER PUBLICATIONS

Wang Laboratories, Inc. "The Wang Professional Computer" (marketing literature), copyright 1982, 1983.

Wang Laboratories, Inc. "The Wang Professional Computer Voice Attachment" (marketing literature), undated.

Wang Laboratories, Inc., Untitled photograph showing video monitor for Wang Professional Computer, undated.

Liberty Electronics, "The Freedom 220 VDT" (marketing literature), Nov. 1, 1984.

Mitsuba Corp., Advertisement for "Maxi-View" monitor in Sep. 20, 1988 issue of MacWeek, p. 44.

Sigma Designs Inc., Advertisement for "Laser View Display System," undated.

Wyse Technology, Advertisement for Wyse WY-185 video monitor, undated.

IBM Corp., Advertisement for IBM Models 310/360 and 410/460 personal computer terminals, undated.

Primary Examiner—Wallace R. Burke

Assistant Examiner—Freda S. Nunn

Attorney, Agent, or Firm—Kenyon & Kenyon

[57] CLAIM

The ornamental design for a video display monitor, as shown and described.

DESCRIPTION

FIG. 1 is a front perspective view of a video display monitor showing our new design;

FIG. 2 is a front elevational view thereof;

FIG. 3 is a top plan view thereof;

FIG. 4 is a left side elevational view thereof;

FIG. 5 is a right side elevational view thereof;

FIG. 6 is a rear elevational view thereof; and,

FIG. 7 is a bottom plan view thereof.

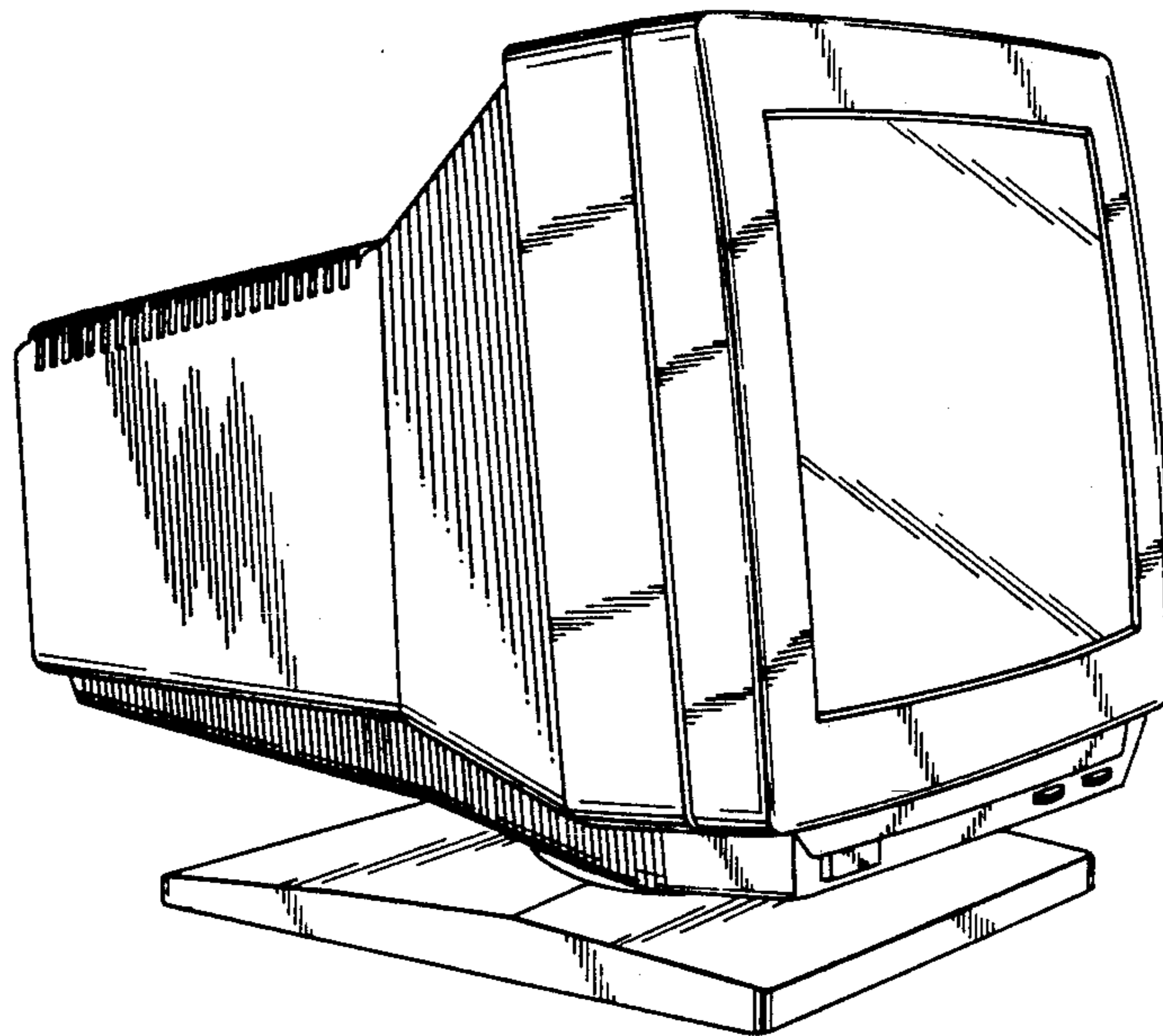
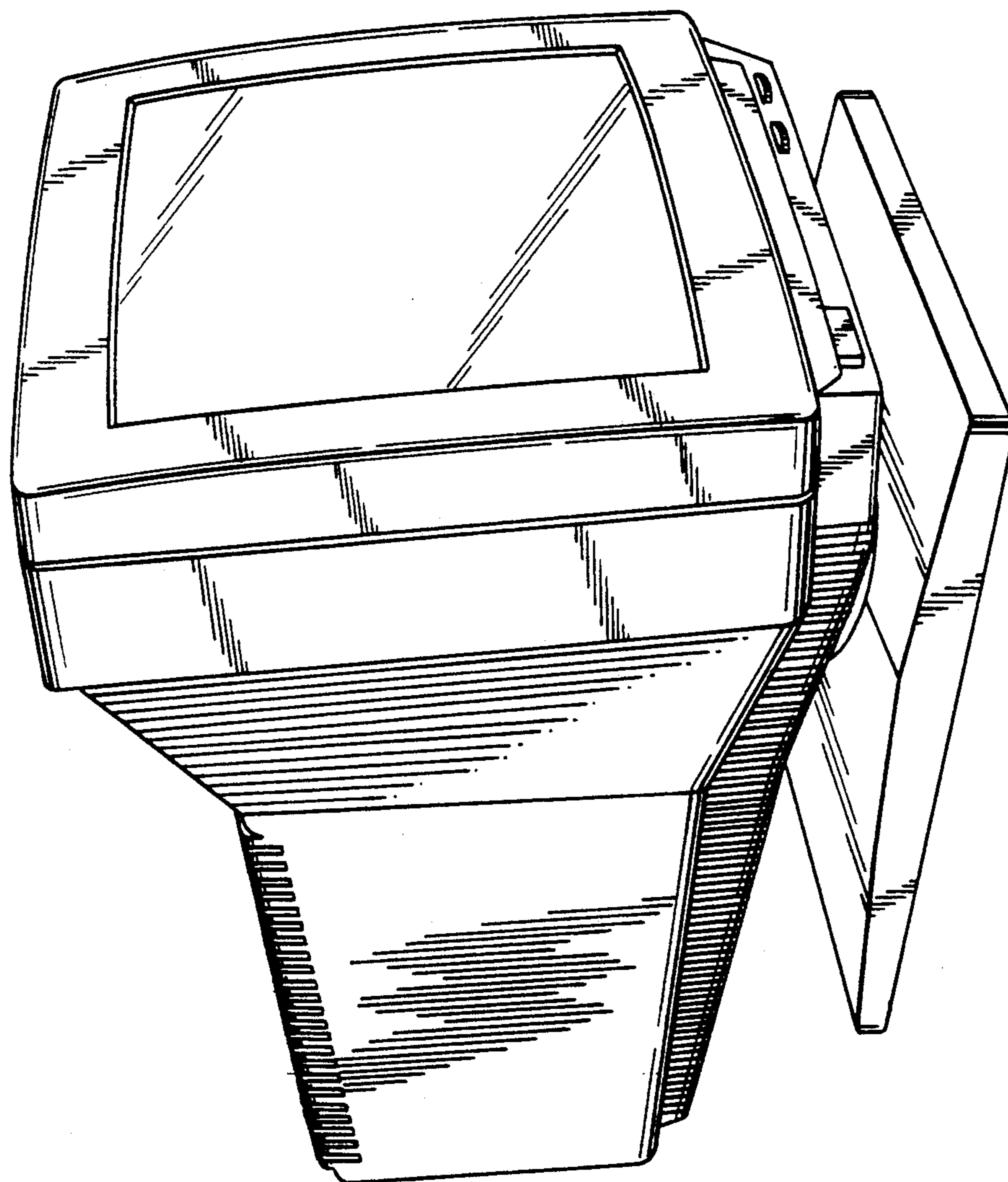


FIG. 1



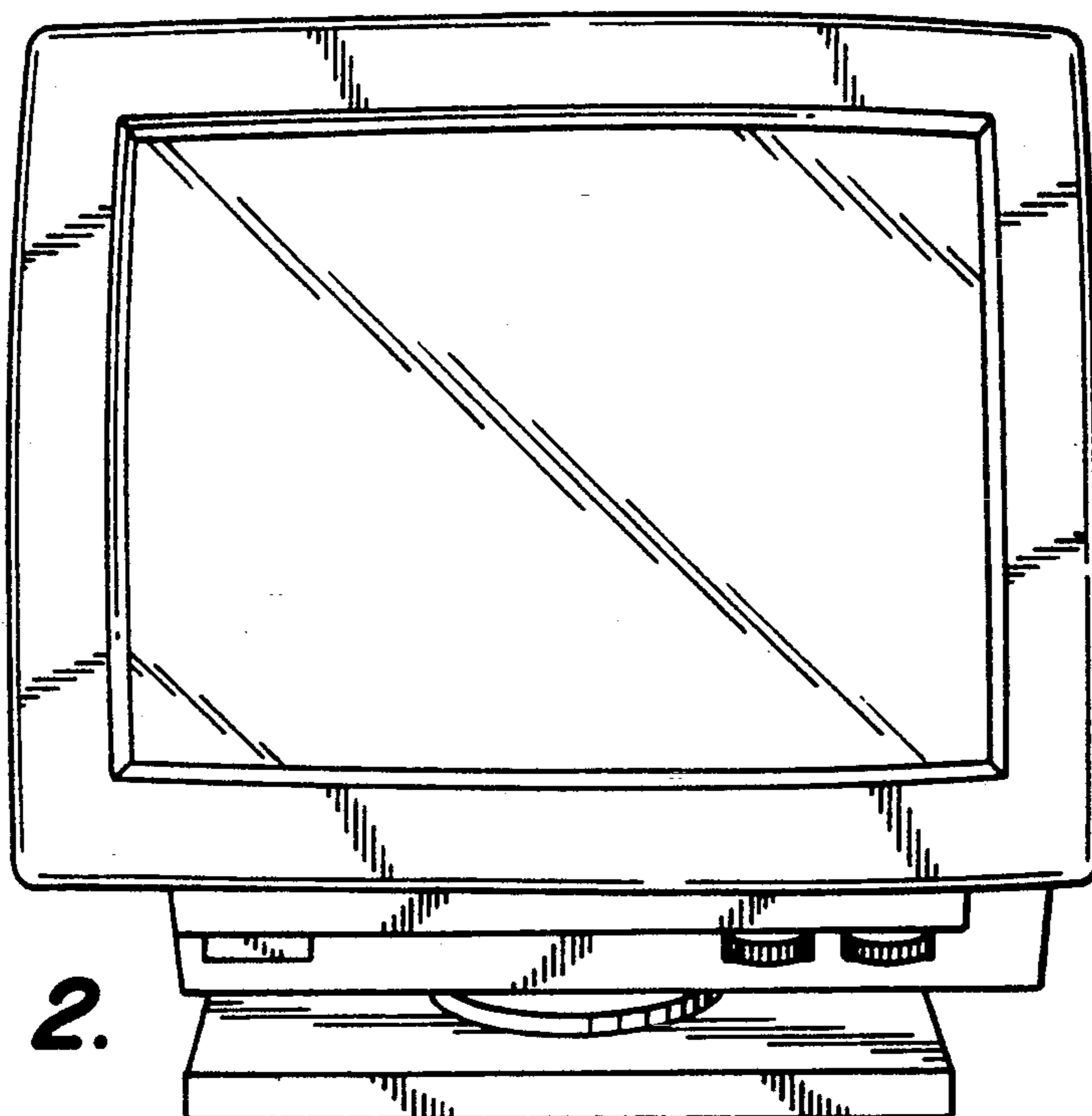


FIG. 2.

FIG. 3.

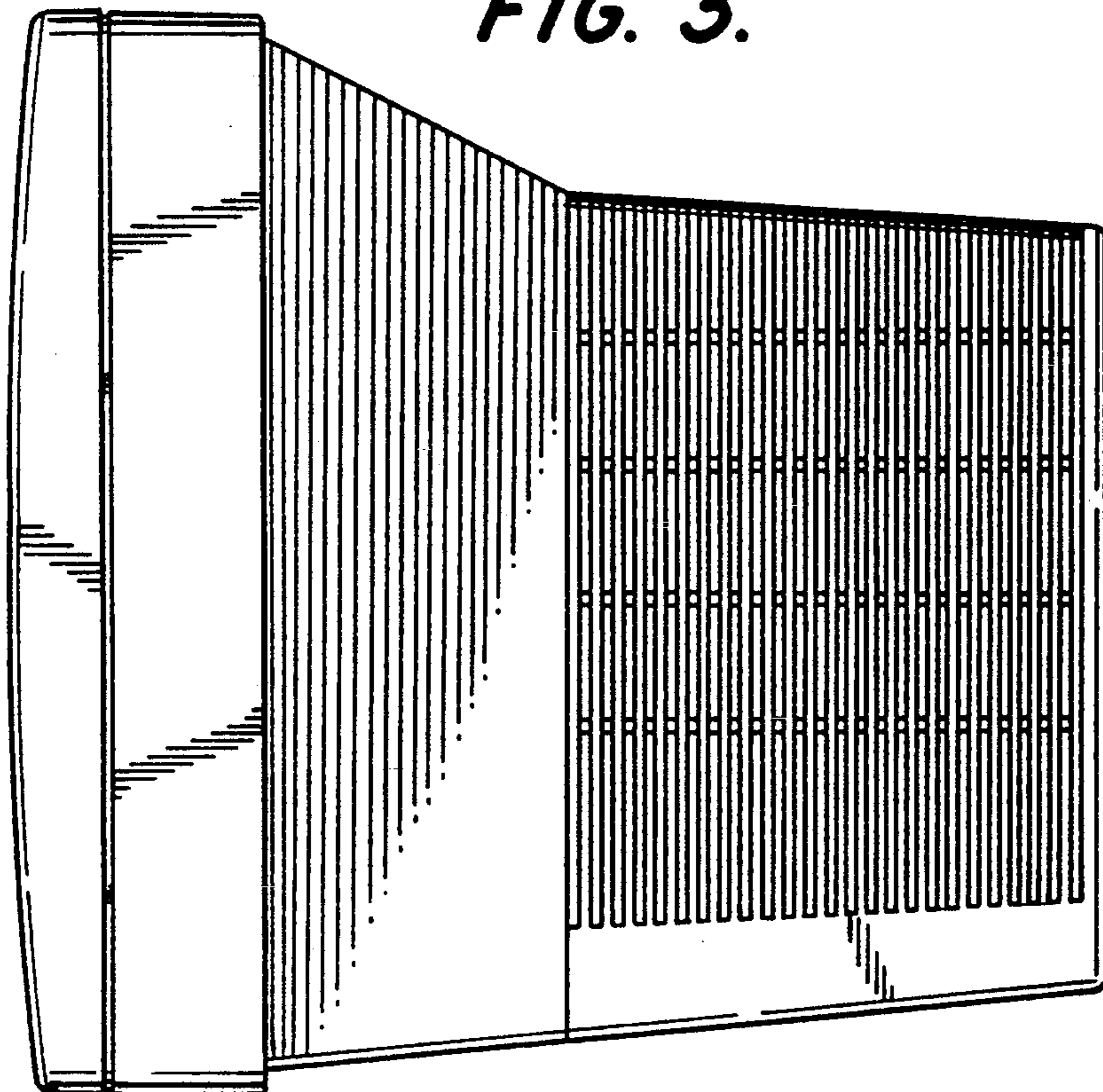


FIG. 4.

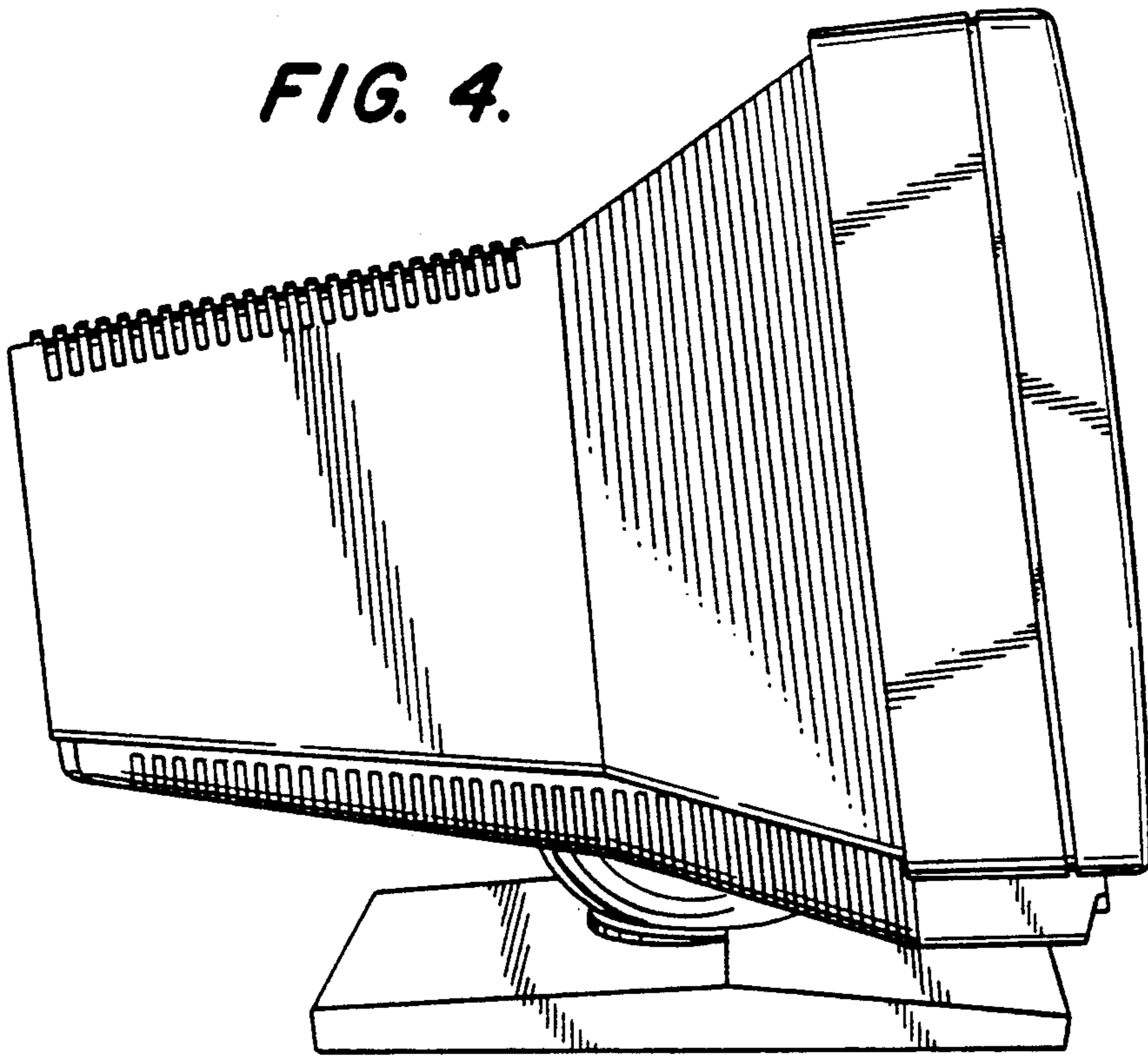
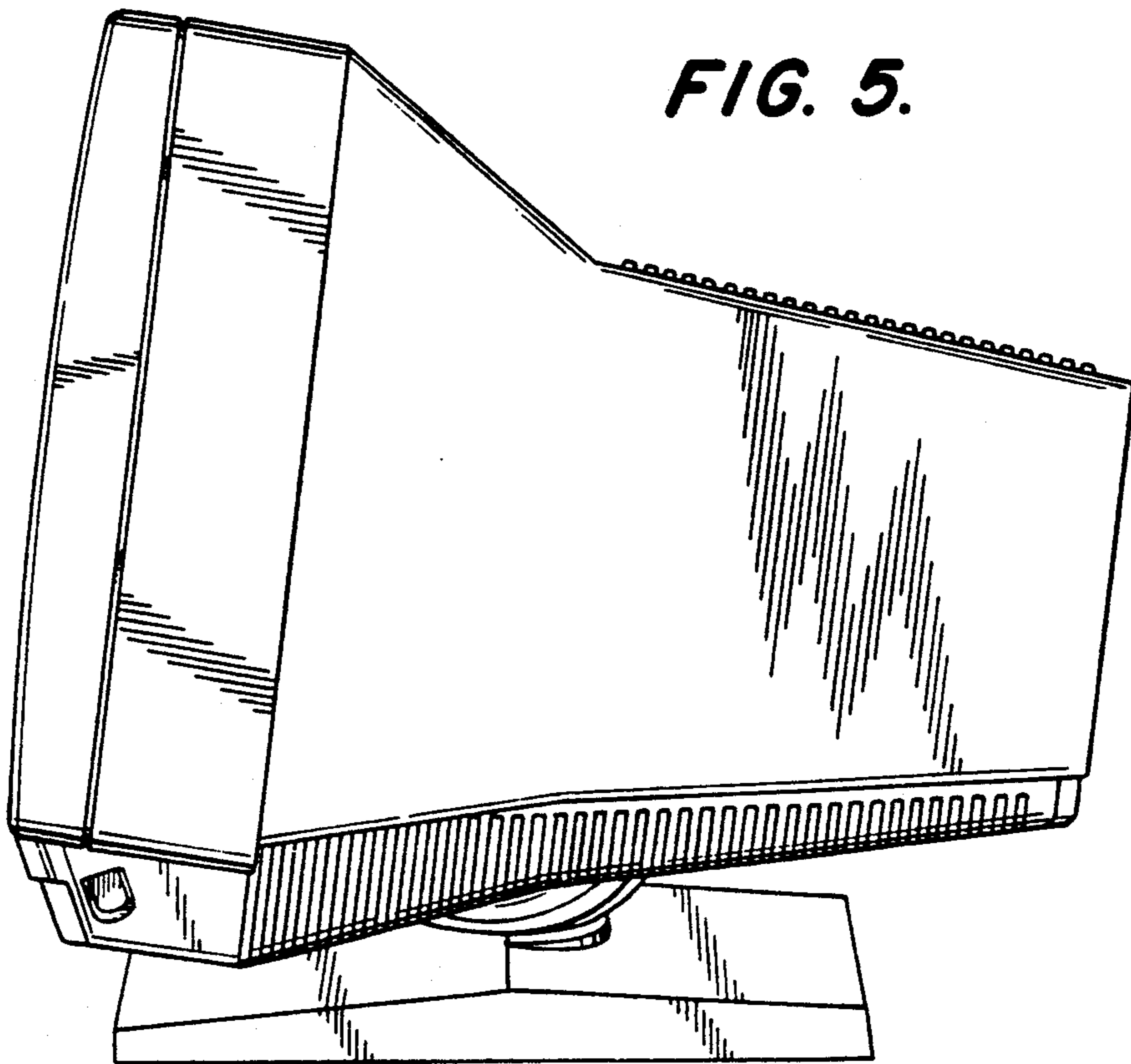


FIG. 5.



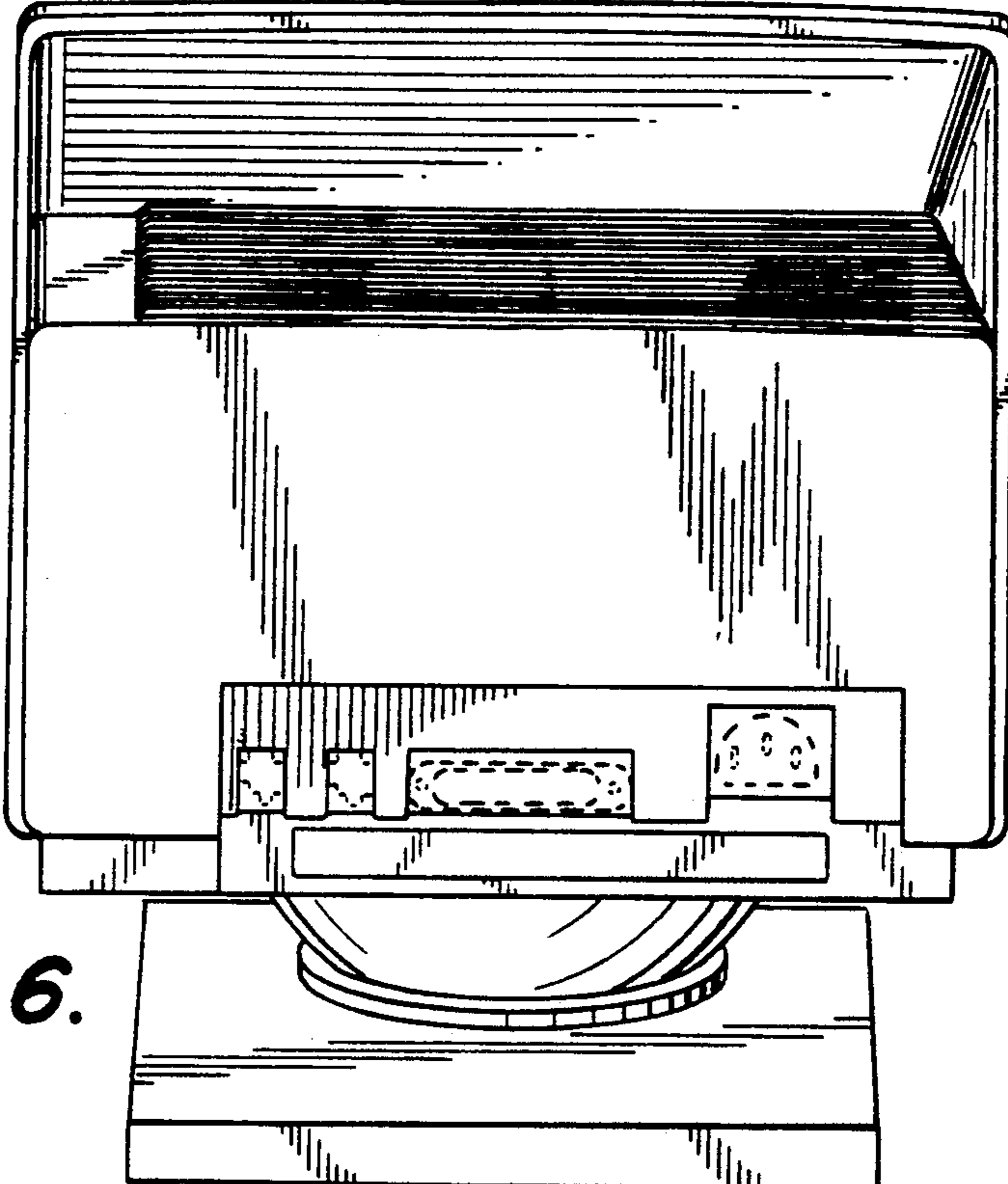


FIG. 6.

FIG. 7.

