



US00D330012S

United States Patent [19]

[11] Patent Number: **Des. 330,012**

Takahashi et al.

[45] Date of Patent: **** Oct. 6, 1992**

[54] **MULTIPLE PUSH-BUTTON SWITCH MODULE**

4,792,649 12/1988 Wada 200/5 E
4,857,669 8/1989 Kitamura et al. 200/296 X

[75] Inventors: **Akimichi Takahashi; Tadashi Takata; Mayumi Usami**, all of Yokohama, Japan

Primary Examiner—Wallace R. Burke
Assistant Examiner—J. Sincavage
Attorney, Agent, or Firm—Finnegan, Henderson, Farabow, Garrett and Dunner

[73] Assignee: **Toshiba Lighting & Technology Corporation**, Tokyo, Japan

[57] **CLAIM**

[**] Term: **14 Years**

The ornamental design for a multiple push-button switch module, as shown and described.

[21] Appl. No.: **544,786**

DESCRIPTION

[22] Filed: **Jun. 27, 1990**

[30] **Foreign Application Priority Data**

Dec. 28, 1989 [JP] Japan 1-47592
Dec. 28, 1989 [JP] Japan 1-47593
Dec. 28, 1989 [JP] Japan 1-47594
Dec. 28, 1989 [JP] Japan 1-47595

FIG. 1 is a front and lower right perspective view of a multiple push-button switch module showing our new design;

[52] U.S. Cl. **D13/162; D13/171**

[58] Field of Search **D13/158, 164, 171; 200/5 E, 293, 296, 314, 315, 341, 417, 520**

FIG. 2 is a rear and upper left perspective view thereof;

FIG. 3 is a front elevational view thereof;

FIG. 4 is a right side elevational view thereof;

FIG. 5 is a top plan view thereof, the bottom plan view thereof being a mirror image;

FIG. 6 is a rear elevational view thereof;

FIG. 7 is a left side elevational view thereof;

[56] **References Cited**

U.S. PATENT DOCUMENTS

D. 209,513 12/1967 Walters et al. D13/158
D. 316,540 4/1991 Hirose D13/171
3,269,209 8/1966 Davis 200/5 E
3,691,985 9/1972 Otterlei 200/314 X
4,544,811 10/1985 Brevick 200/5 R
4,631,377 12/1986 Imazeki et al. 200/314
4,760,218 7/1988 Gutman 200/5 R
4,778,967 10/1988 Deng 200/315

FIG. 8 is a front and lower right perspective view of a multiple push-button switch module showing a second embodiment of our new design, the plan and elevational views being the same as the first embodiment except for the number and location of push-button members; and,

FIG. 9 is a front and lower right perspective view of a multiple push-button switch module showing a third embodiment of our new design, the plan and elevational views being the same as the first embodiment except for the number and location of push-button members.

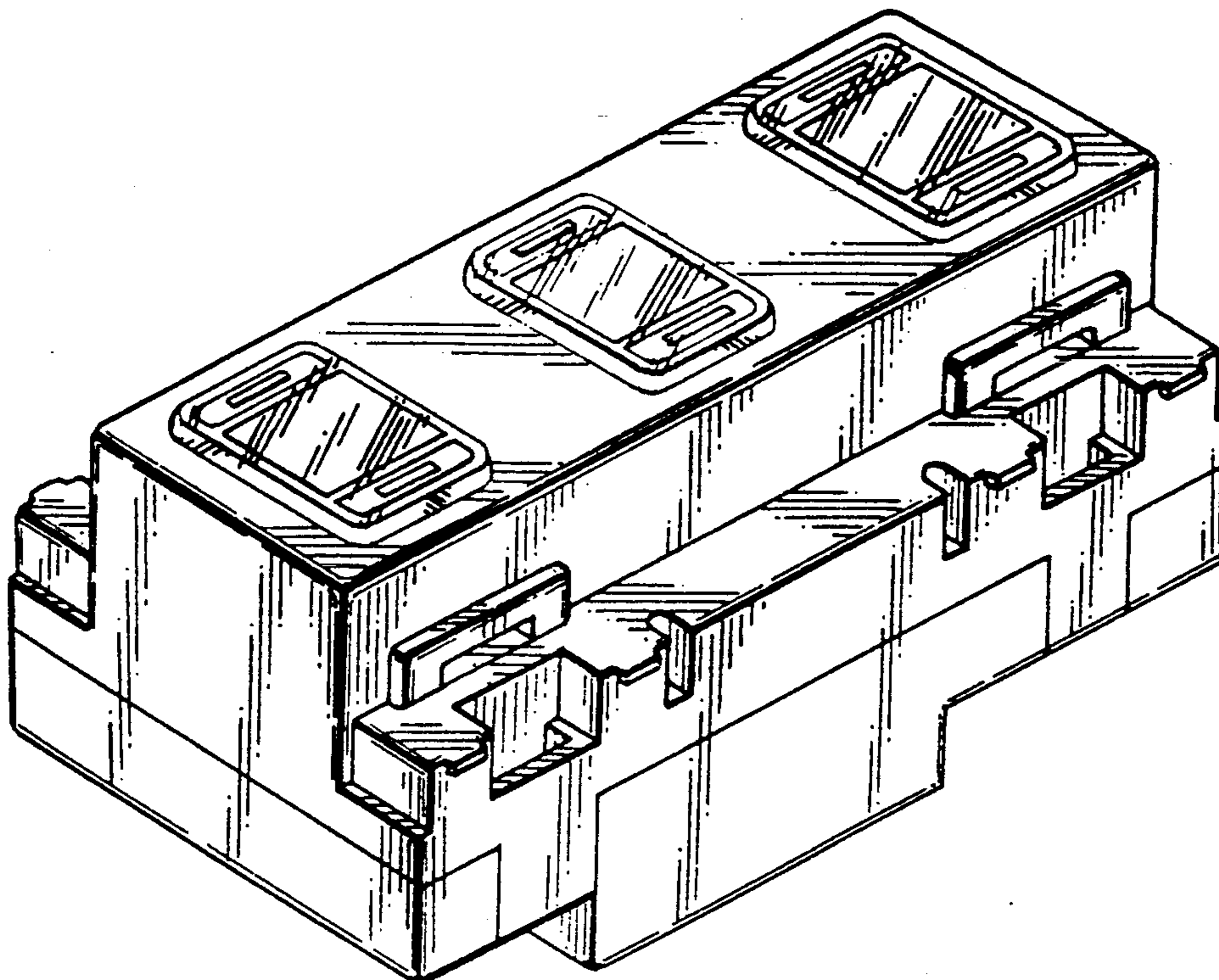


FIG. 1

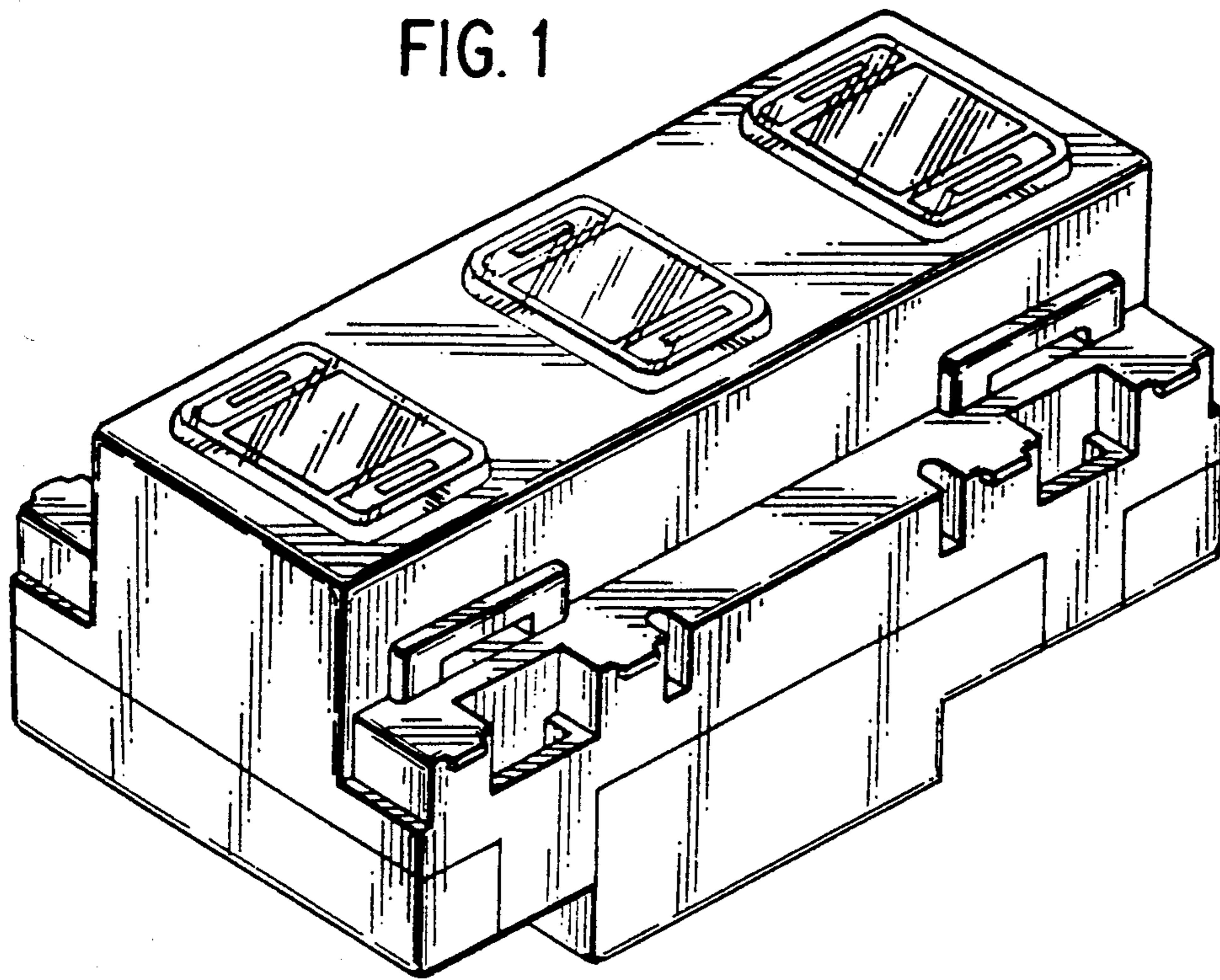


FIG. 2

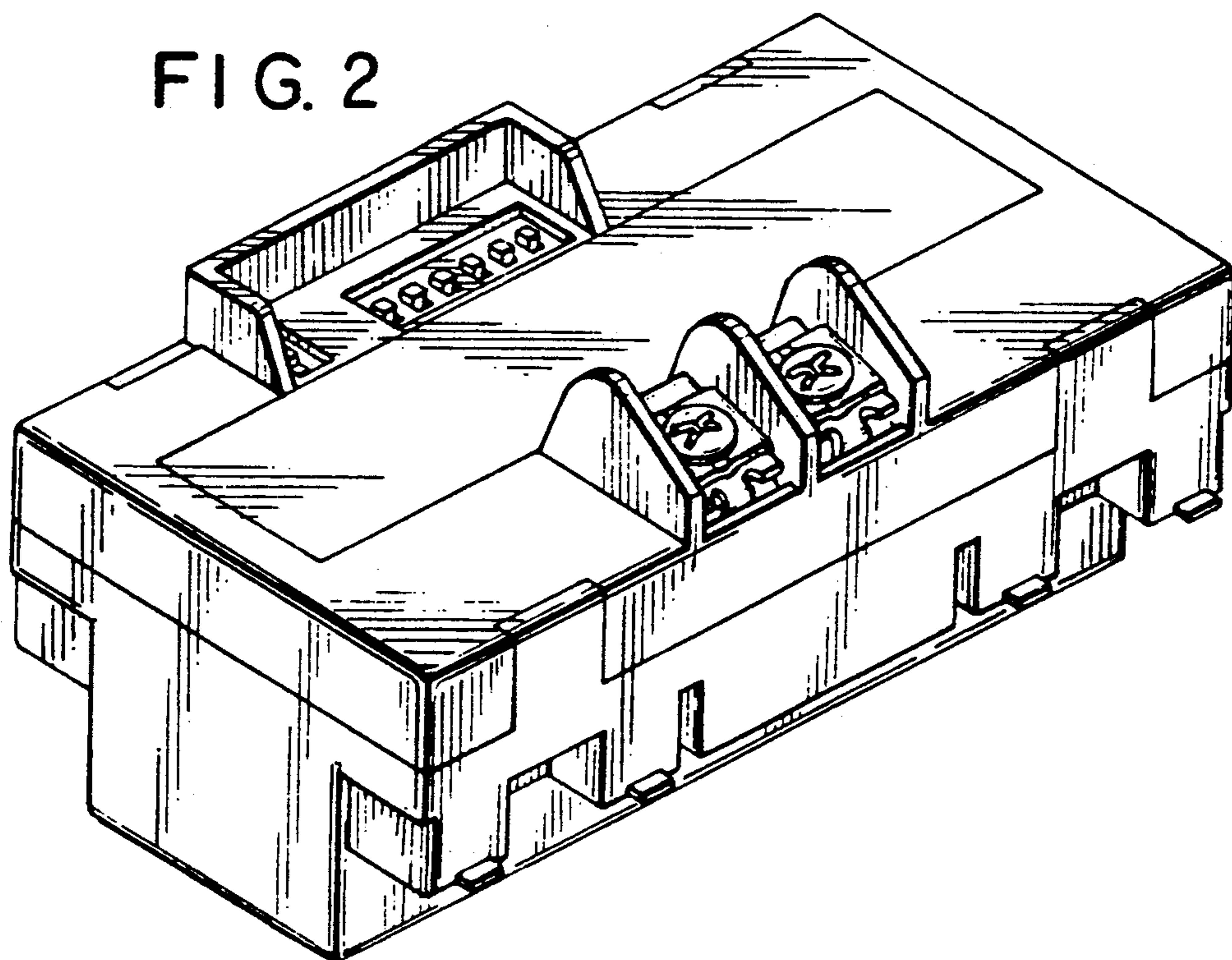


FIG. 3

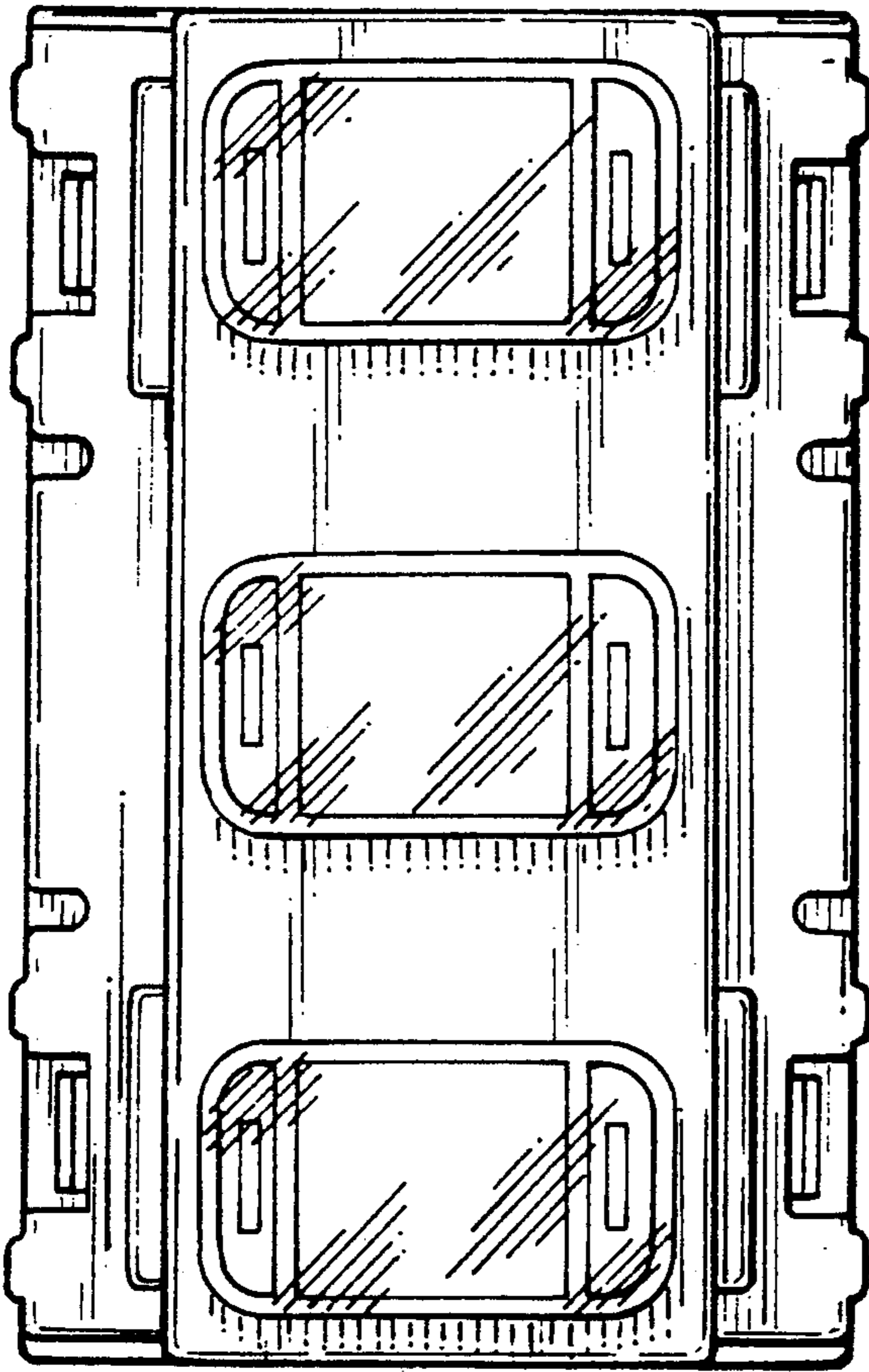


FIG. 4

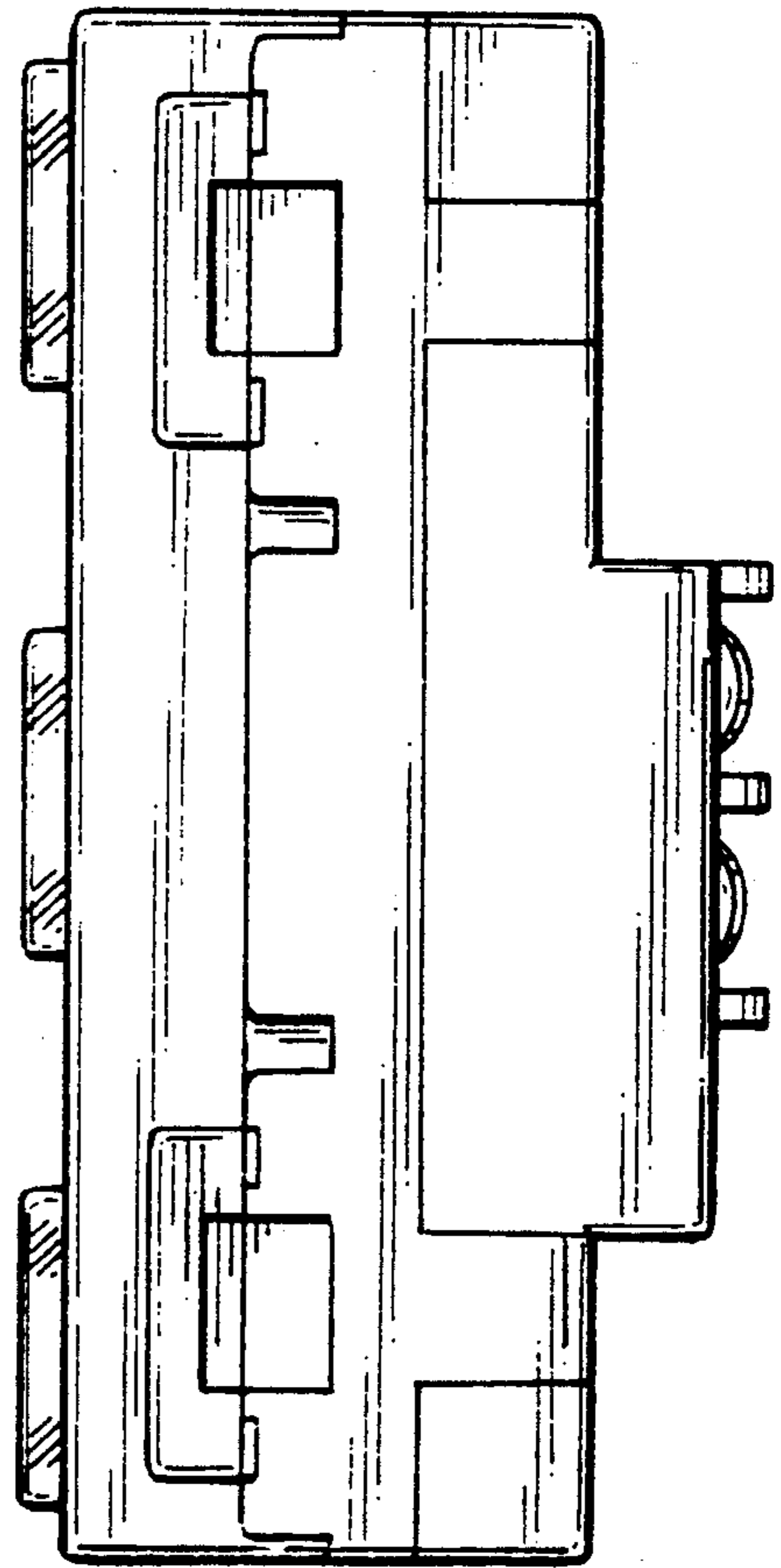


FIG. 5

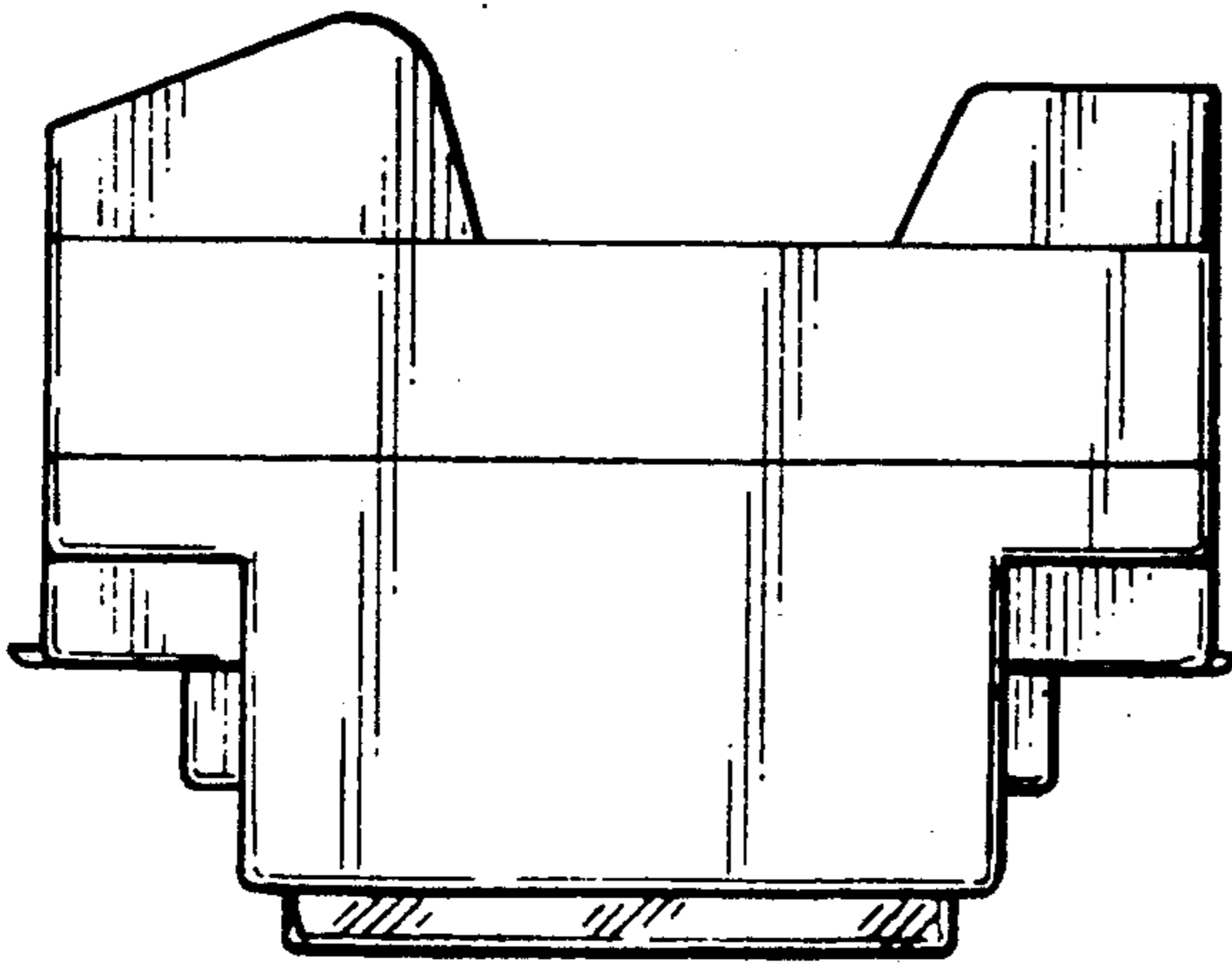


FIG. 6

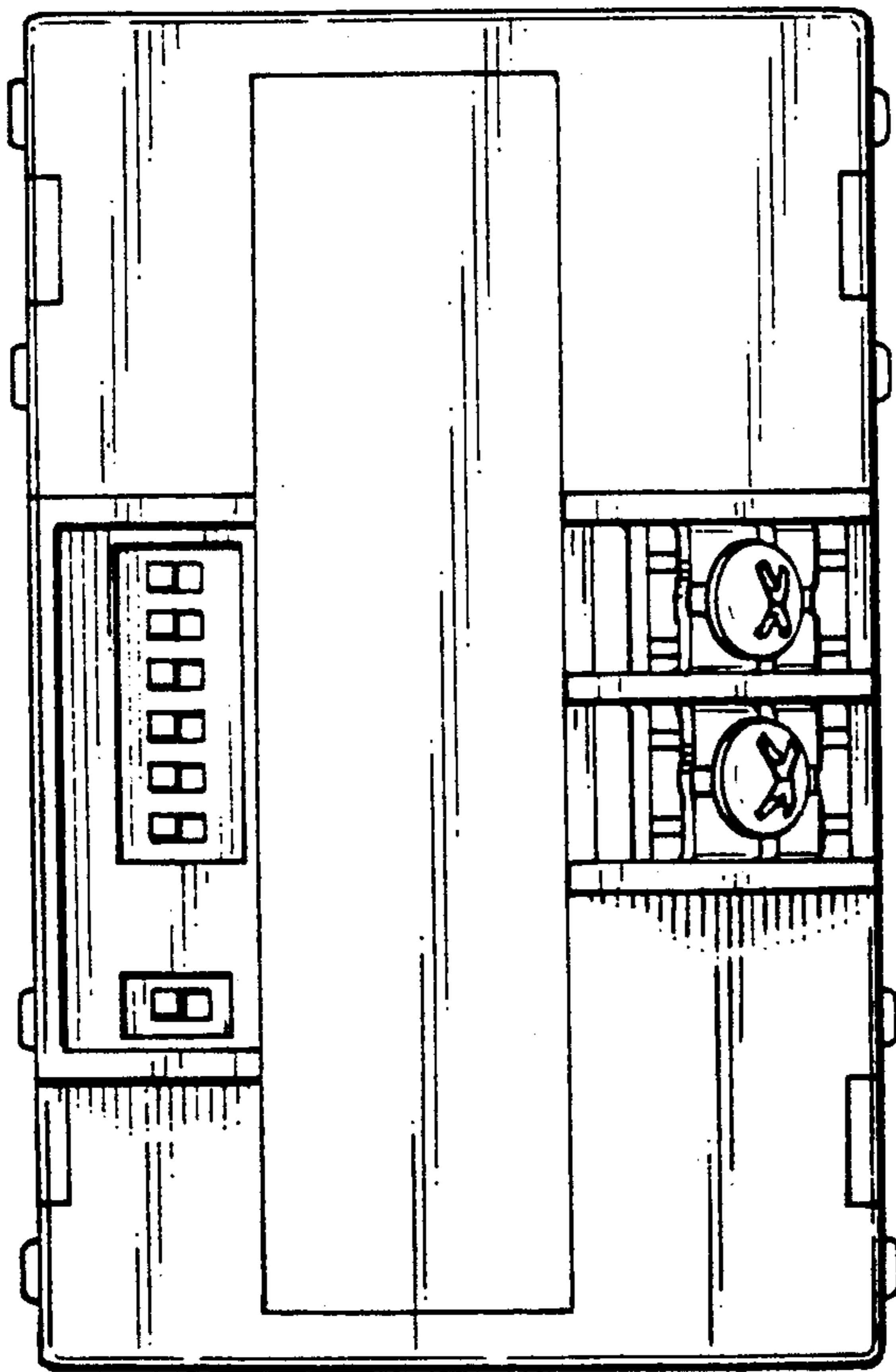


FIG. 7

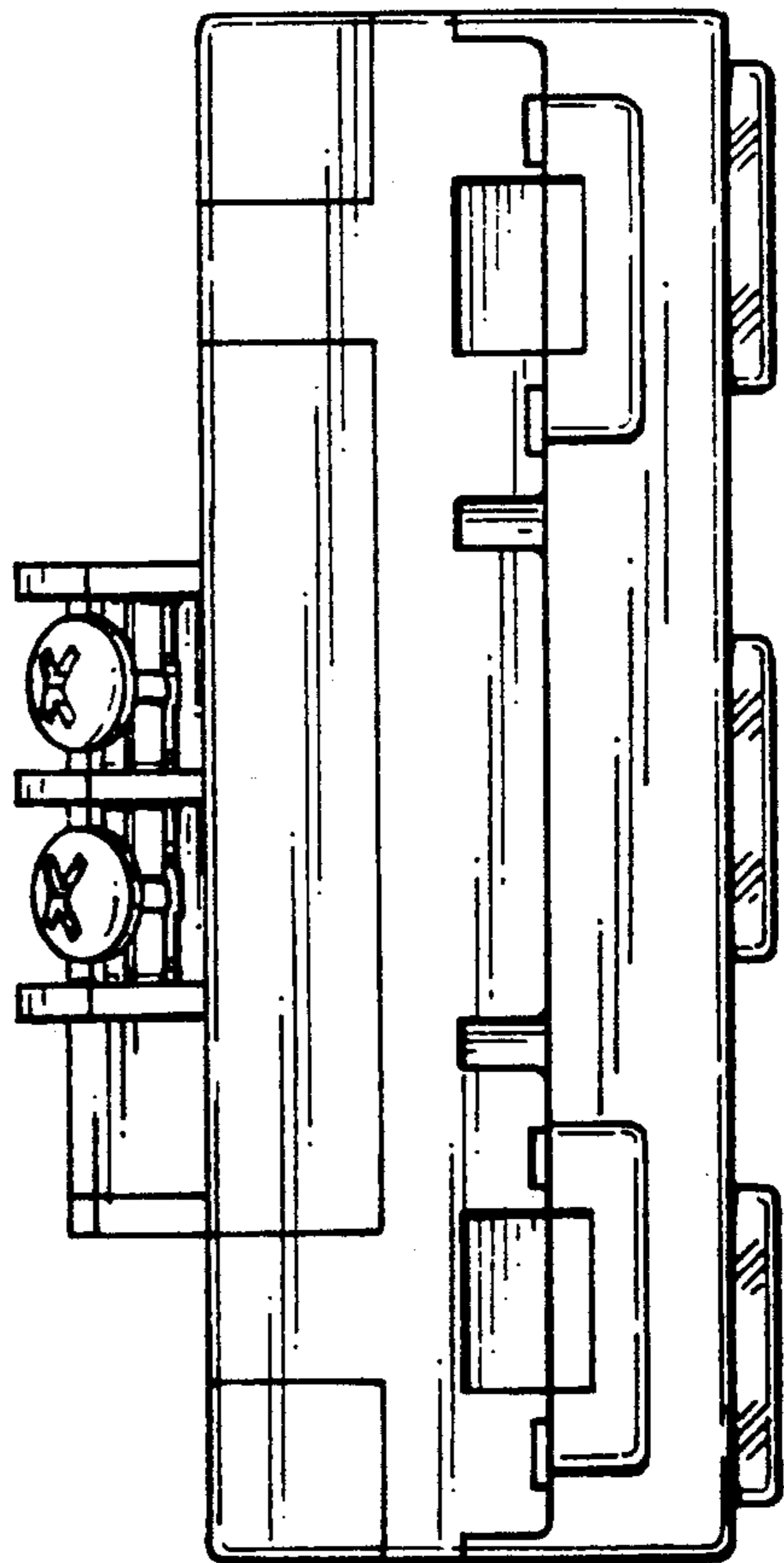


FIG. 8

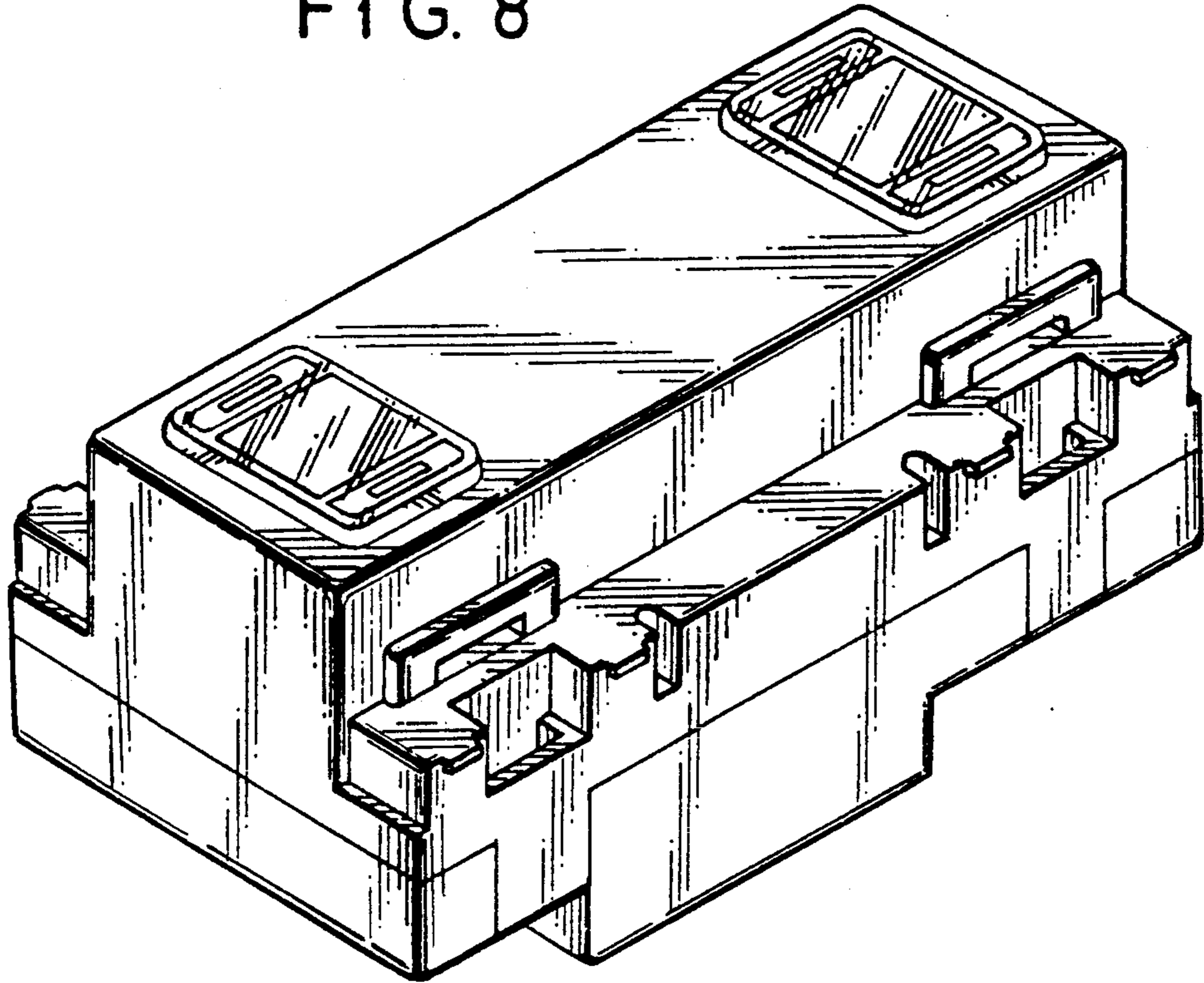


FIG. 9

