



US00D330010S

United States Patent [19]

[11] Patent Number: Des. 330,010

Kameyama

[45] Date of Patent: ** Oct. 6, 1992

[54] ELECTRICAL CONNECTOR HOUSING

[75] Inventor: Isao Kameyama, Shizuoka, Japan

[73] Assignee: Yazaki Corporation, Tokyo, Japan

[**] Term: 14 Years

[21] Appl. No.: 543,293

[22] Filed: Jun. 25, 1990

[30] Foreign Application Priority Data

Dec. 27, 1989 [JP] Japan 1-47403

[52] U.S. Cl. D13/147

[58] Field of Search D13/133, 146, 147;
439/282, 345, 350, 353, 354, 355, 357, 586, 587,
595, 596, 597, 598, 600, 680, 682, 752

[56] References Cited

U.S. PATENT DOCUMENTS

D. 310,993	10/1990	Ohkura et al.	D13/146
D. 319,215	8/1991	Takenouchi et al.	D13/147
D. 320,975	10/1991	Kawashima et al.	D13/147
D. 323,148	1/1992	Sueyoshi et al.	D13/146
D. 323,485	1/1992	Ohkura et al.	D13/147
D. 323,486	2/1992	Kasugai et al.	D13/147

Primary Examiner—Wallace R. Burke
Assistant Examiner—Joel Sincavage
Attorney, Agent, or Firm—Nikaido, Marmelstein,
Murray & Oram

[57] CLAIM

The ornamental design for an electrical connector housing, as shown and described.

DESCRIPTION

FIG. 1 is a top plan view of an electrical connector housing showing my new design;
FIG. 2 is a front elevational view thereof;
FIG. 3 is a bottom plan view thereof;
FIG. 4 is a left side elevational view thereof;
FIG. 5 is a right side elevational view thereof;
FIG. 6 is a rear elevational view thereof;
FIG. 7 is a cross-sectional view thereof taken along line 7—7 of FIG. 2;
FIG. 8 is a cross-sectional view thereof taken along line 8—8 of FIG. 2; and,
FIG. 9 is a rear and upper left perspective view thereof shown in a manner of use and on a reduced scale. The broken line showing is included for the purpose of illustrating environmental elements only and forms no part of the claimed design.

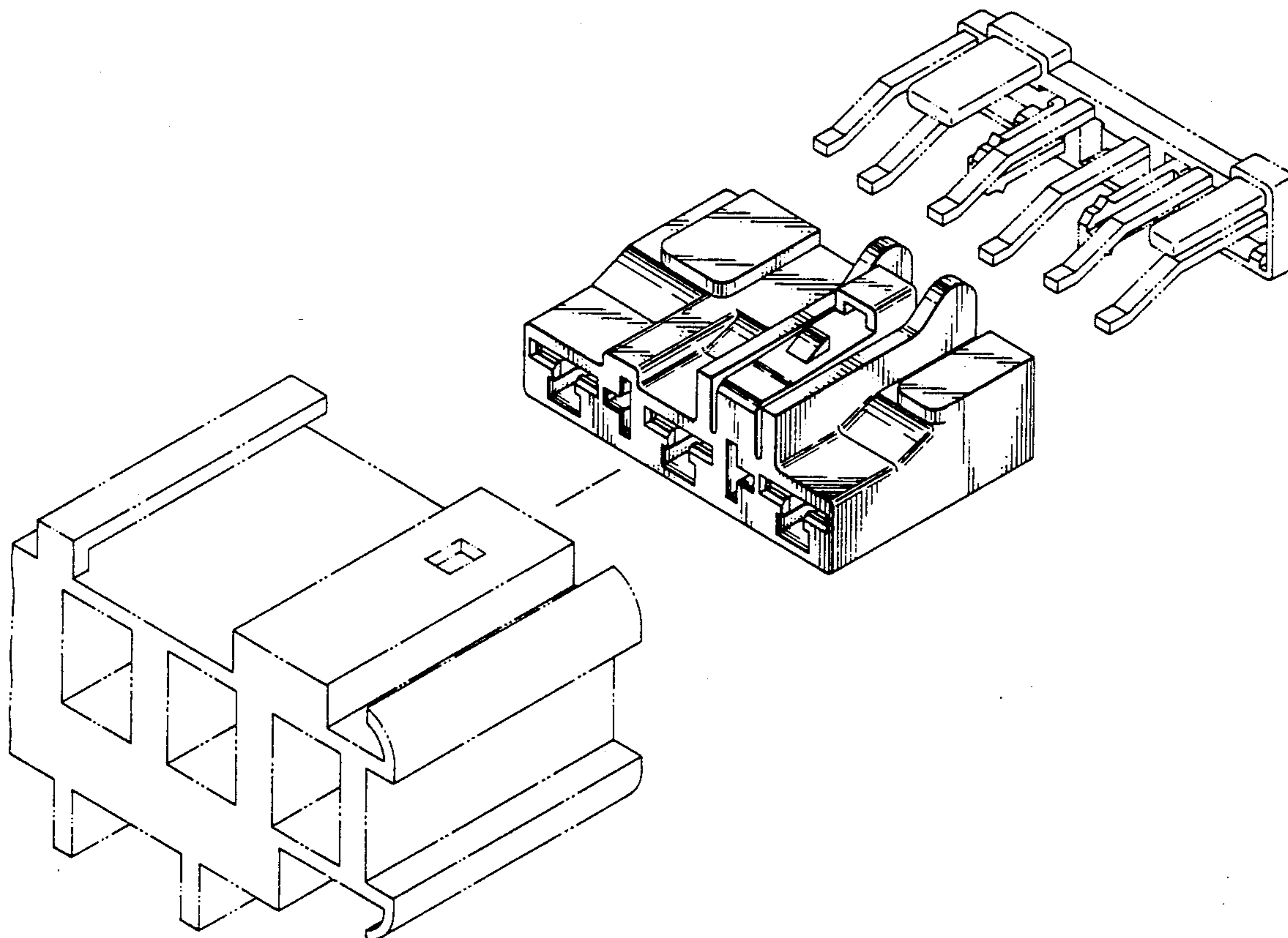


FIG. 1

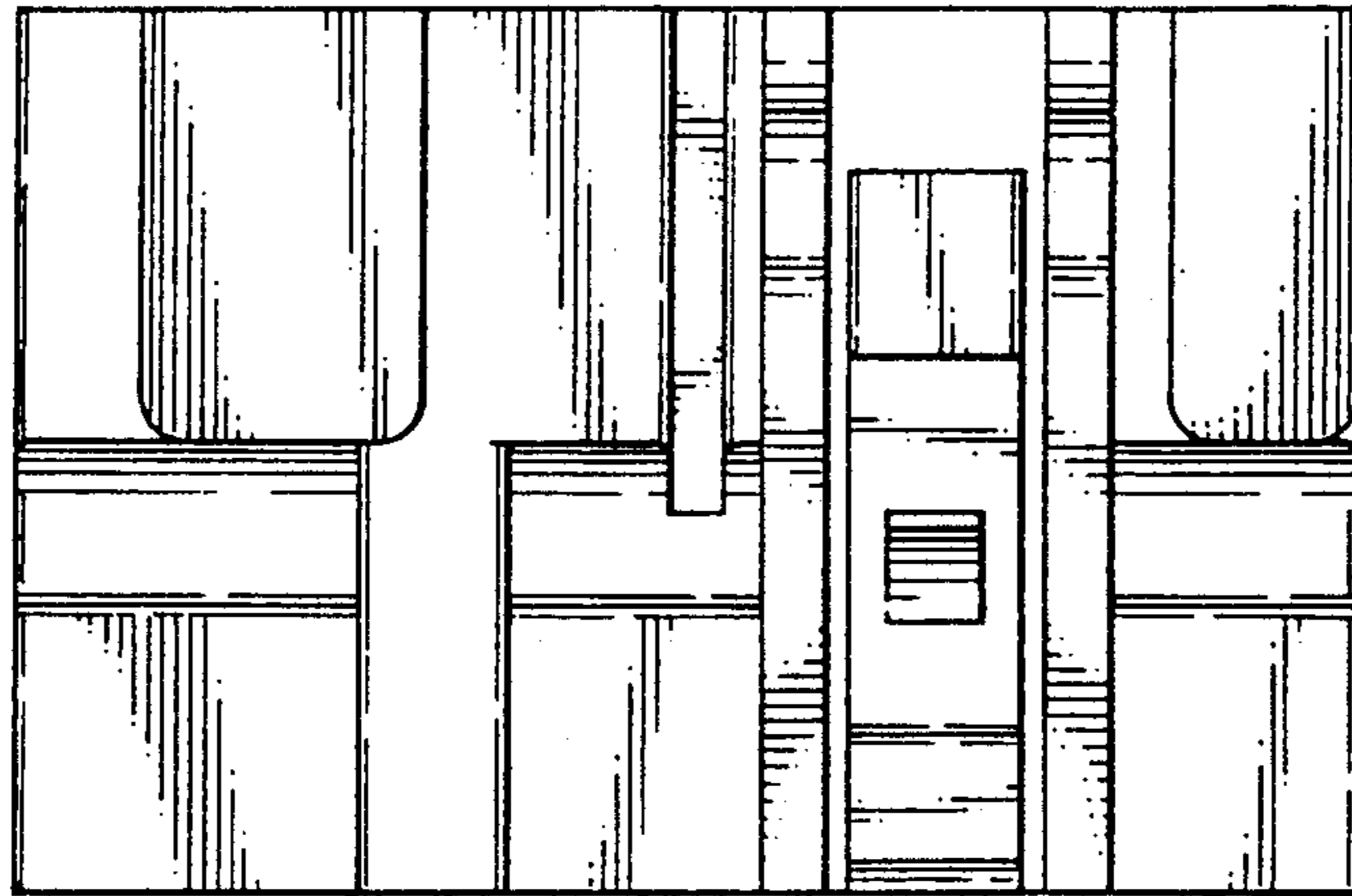


FIG. 2

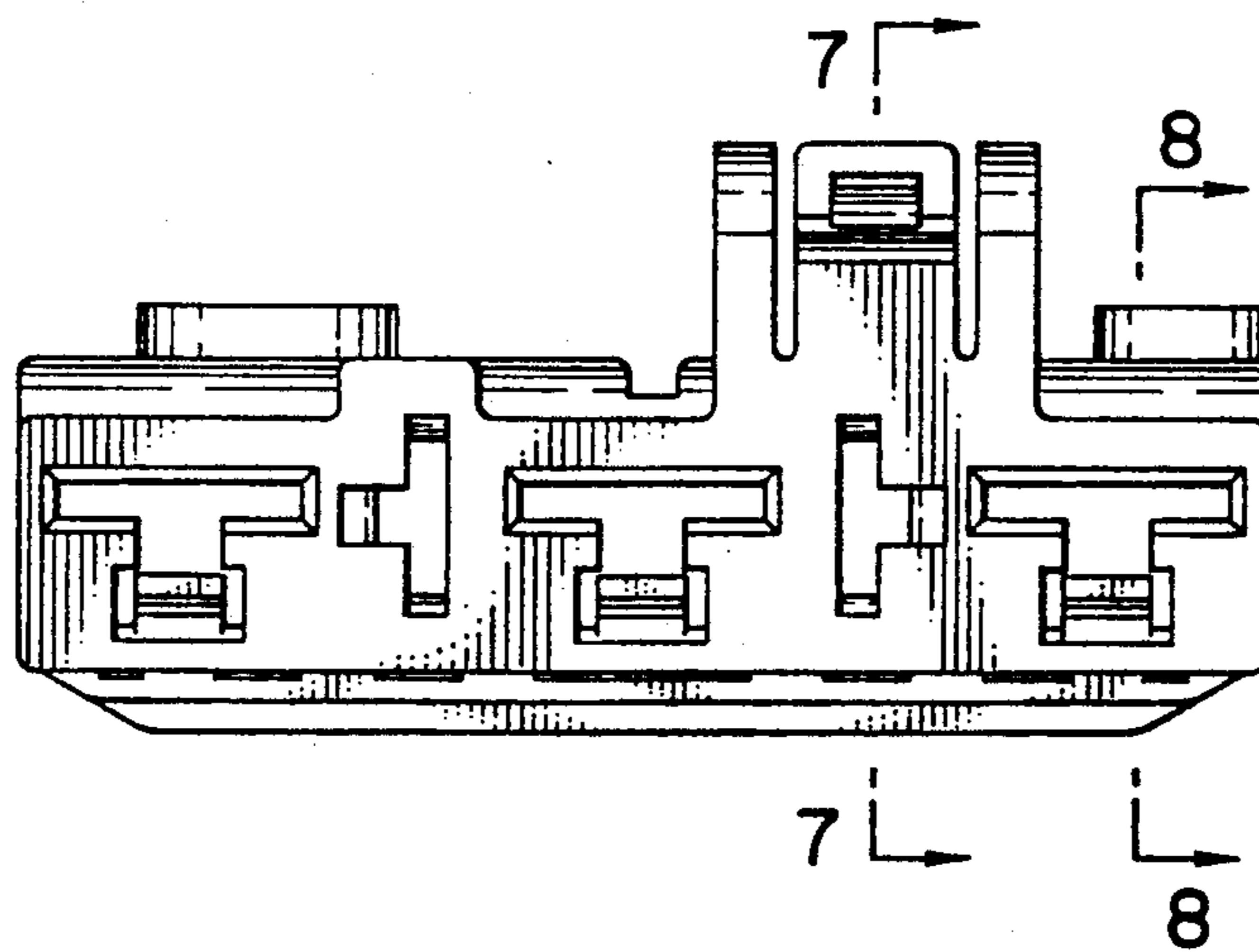


FIG. 3

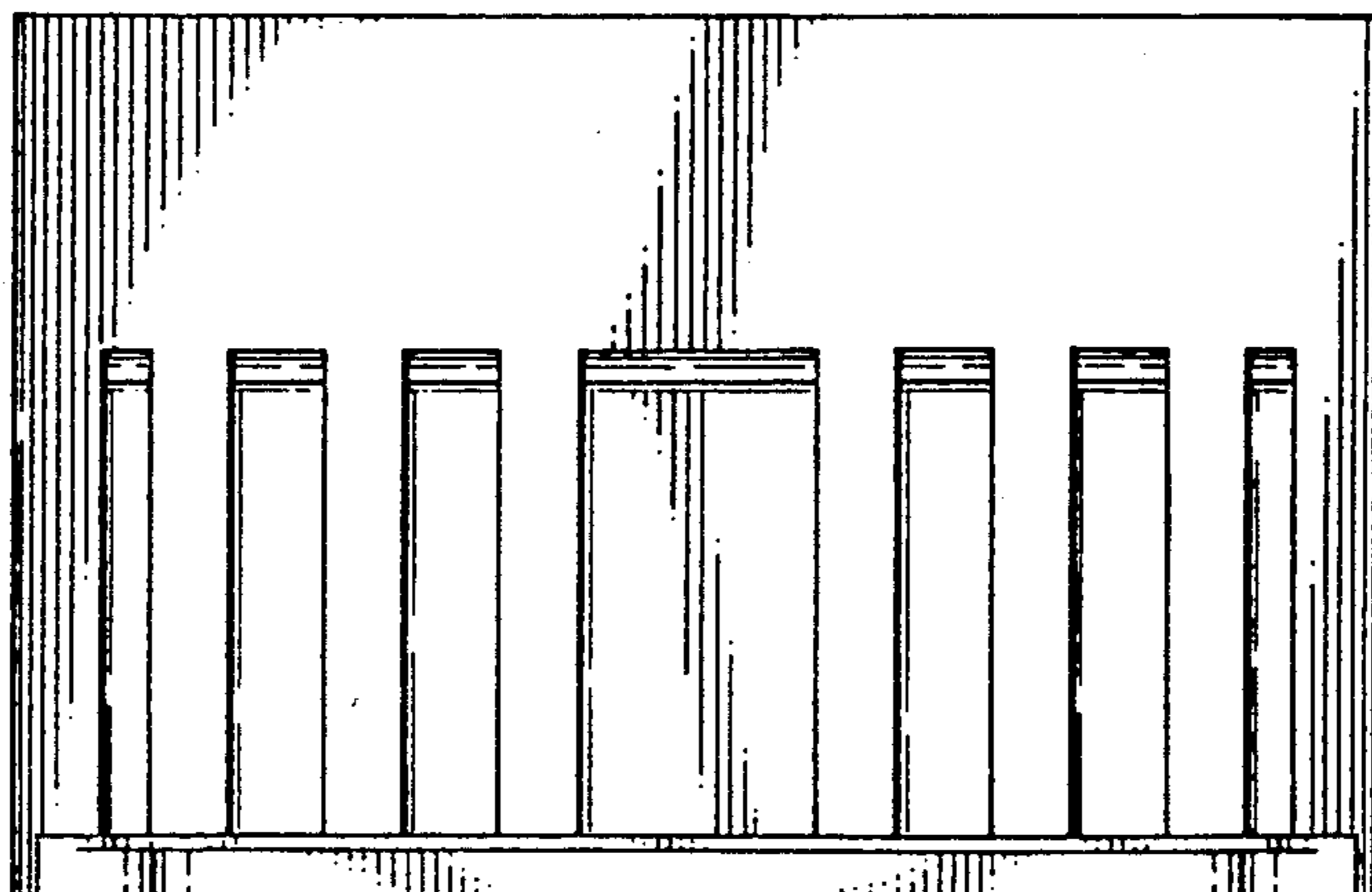


FIG. 4

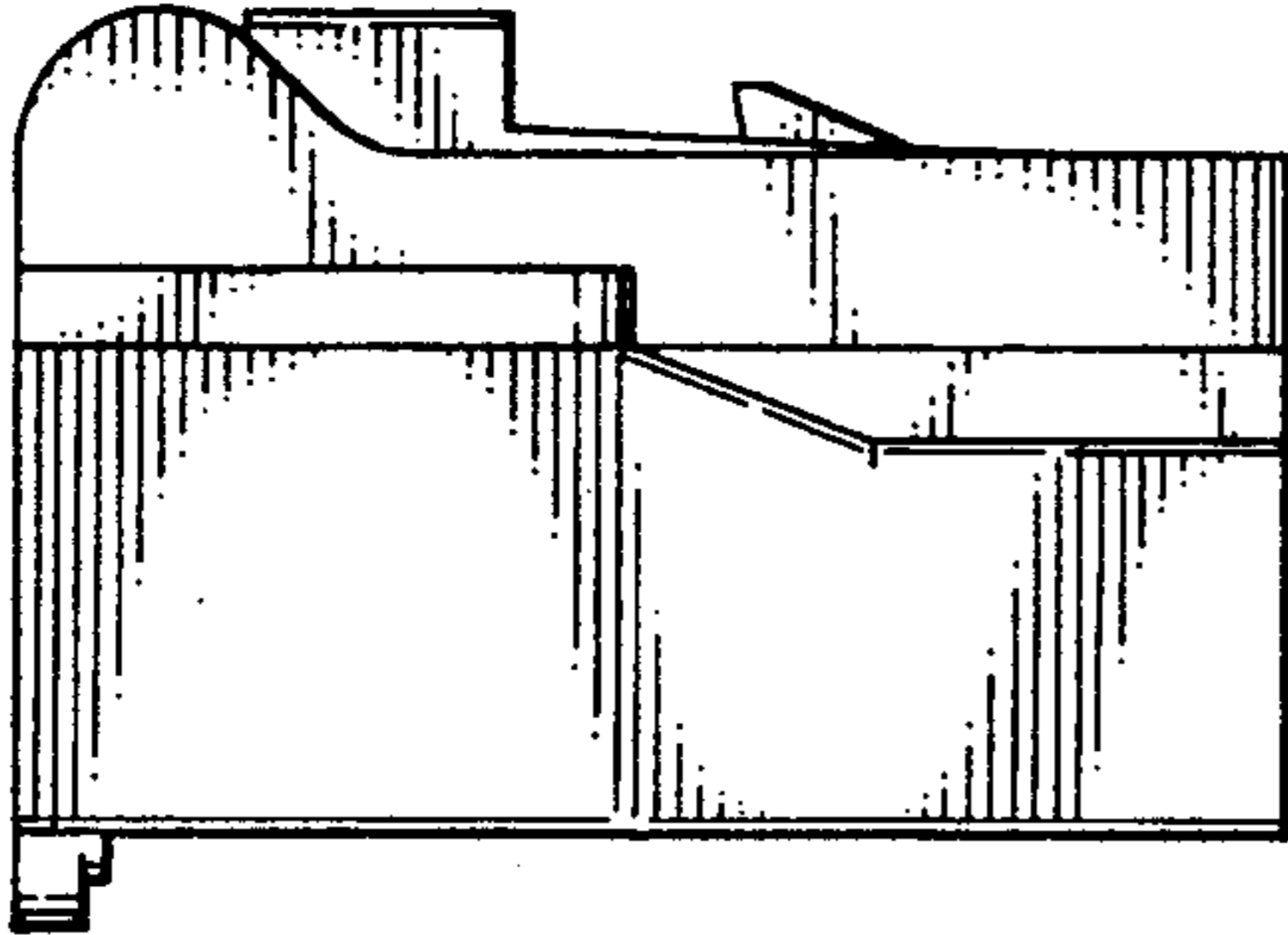


FIG. 5

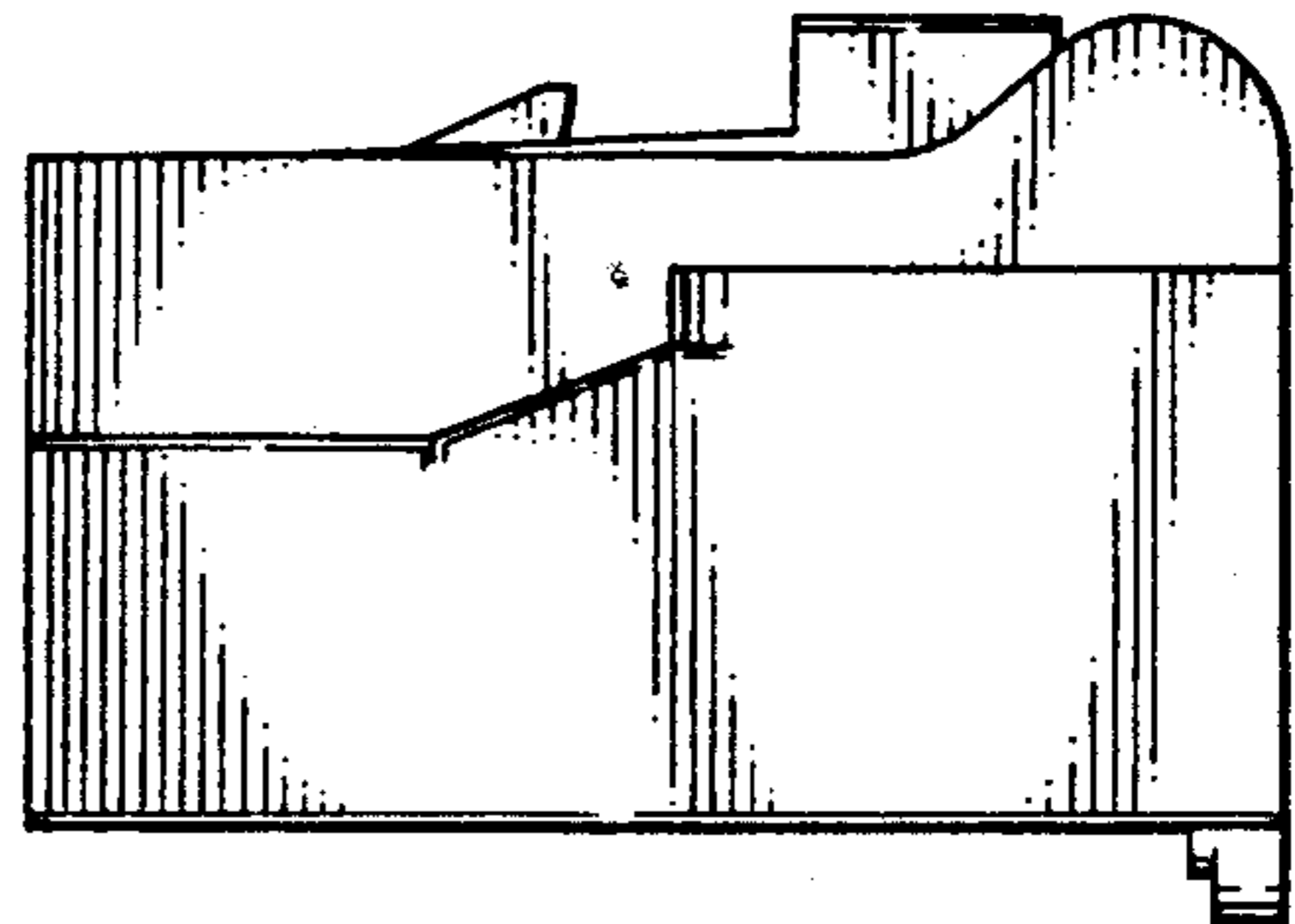


FIG. 6

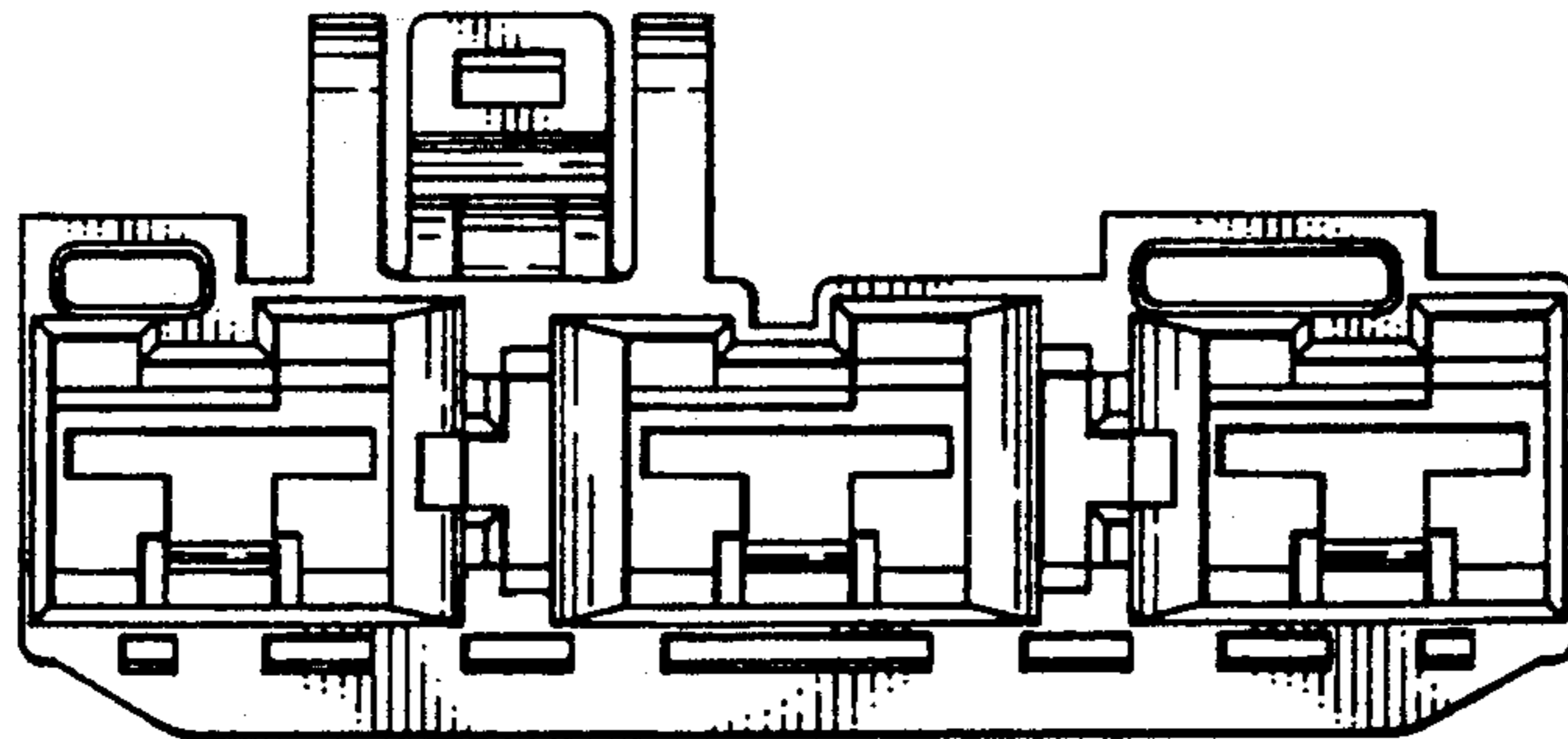


FIG. 7

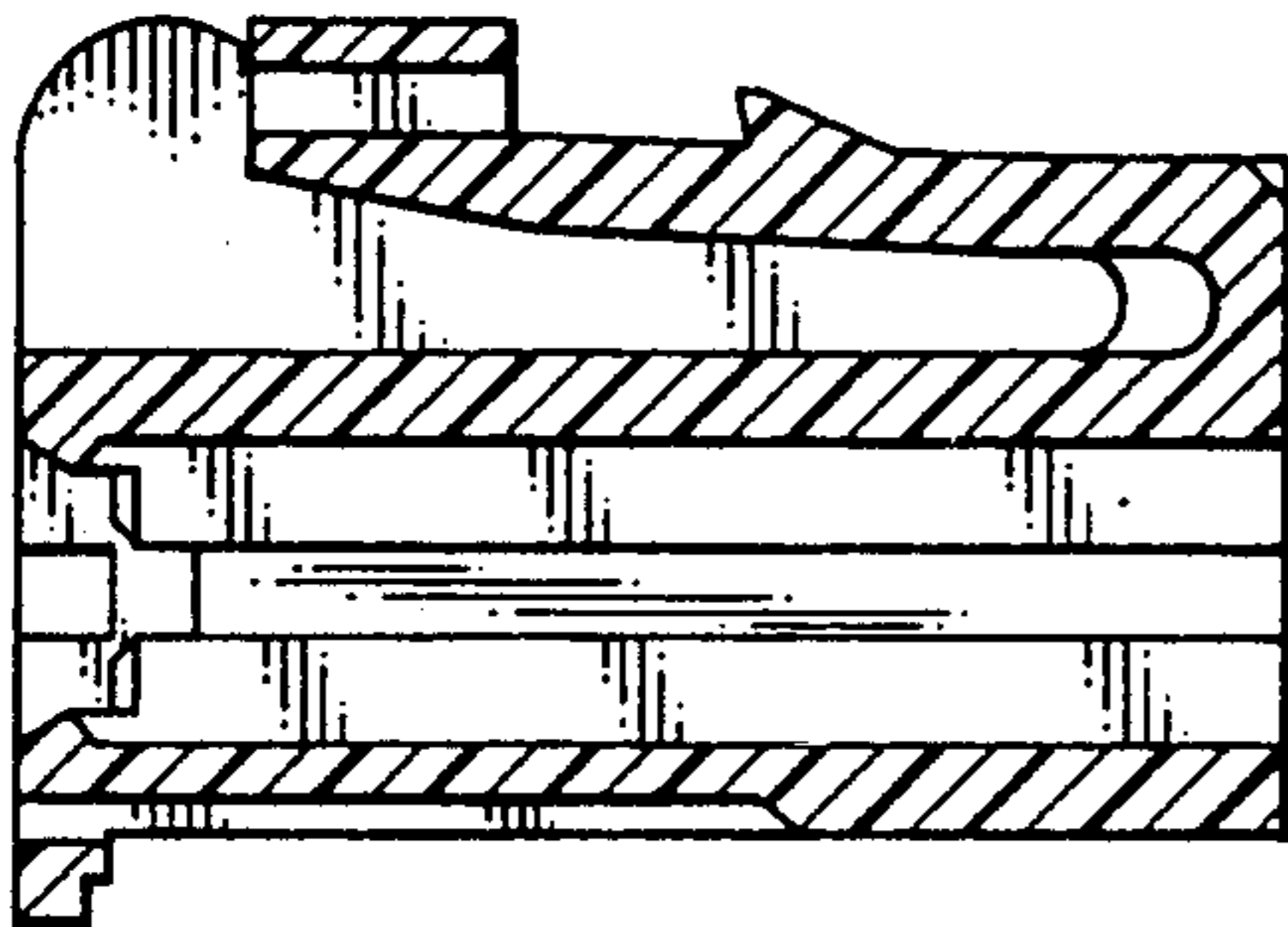
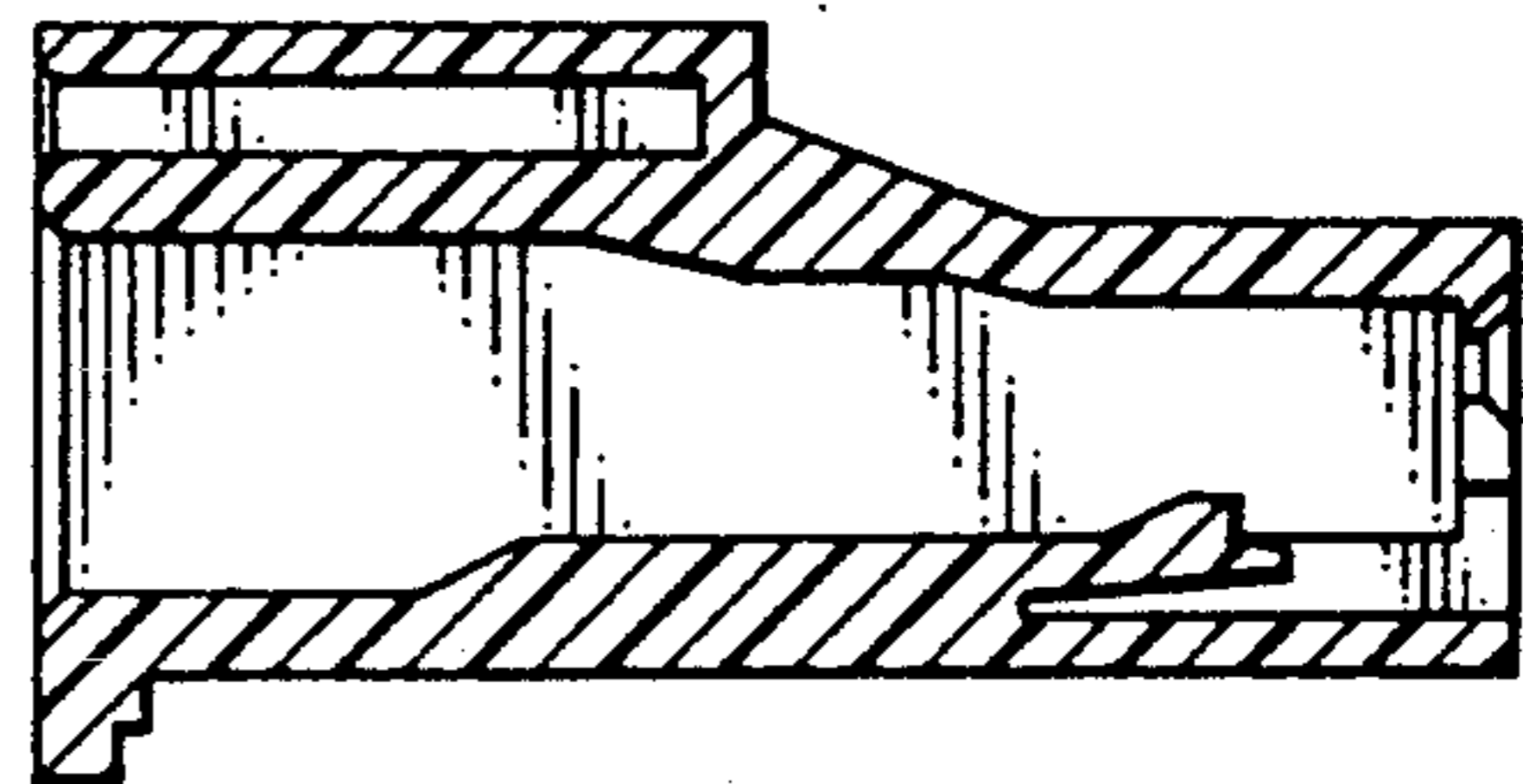


FIG. 8



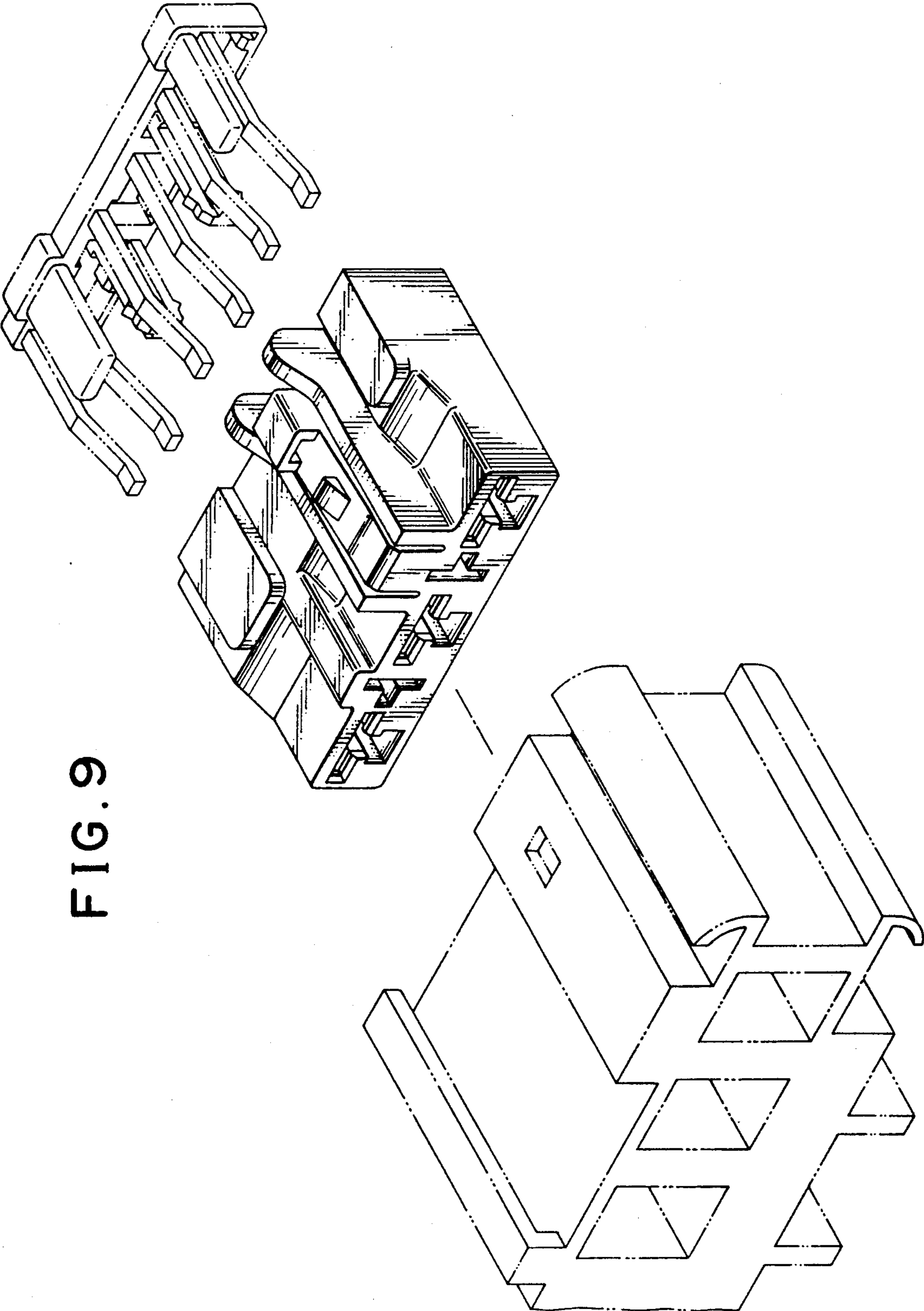


FIG. 9