



US00D330009S

# United States Patent [19]

[11] Patent Number: **Des. 330,009**

**Dickie**

[45] Date of Patent: **\*\* Oct. 6, 1992**

[54] HOUSING FOR AN ELECTRICAL PLUG

2,030,115	2/1936	Muldoon	.....	D13/138 X
2,564,159	8/1951	Greacen, Jr.	.....	D13/138 X
4,927,376	5/1990	Dickie	.....	439/694 X

[75] Inventor: **Robert G. Dickie**, Newmarket, Canada

*Primary Examiner*—Wallace R. Burke  
*Assistant Examiner*—J. Sincavage

[73] Assignee: **Paige Manufacturing Company Incorporated**, Newmarket, Canada

[57] **CLAIM**

[\*\*] Term: **14 Years**

The ornamental design for housing for an electrical plug, as shown and described.

[21] Appl. No.: **505,103**

### DESCRIPTION

[22] Filed: **Apr. 2, 1990**

[52] U.S. Cl. .... **D13/138; D13/143**

[58] Field of Search ..... **D13/133, 138, 137, 139, D13/141, 143; 439/484, 692, 694**

FIG. 1 is a front elevational view of a housing for an electrical plug showing my new design;  
 FIG. 2 is a top plan view thereof;  
 FIG. 3 is a front and top perspective view thereof;  
 FIG. 4 is a rear and top perspective view thereof with the handle in the raised position; and,  
 FIG. 5 is a rear and bottom perspective view thereof.  
 The broken line showing the plug contacts and electrical cord is included for the purpose of illustrating environmental elements only and forms no part of the claimed design.

### [56] References Cited

#### U.S. PATENT DOCUMENTS

D. 138,405	8/1944	Cole	.....	D13/158
D. 279,893	7/1985	Tantillo et al.	.....	D13/133
D. 301,712	6/1989	Israel	.....	D13/133
2,027,447	1/1936	Percy	.....	439/694

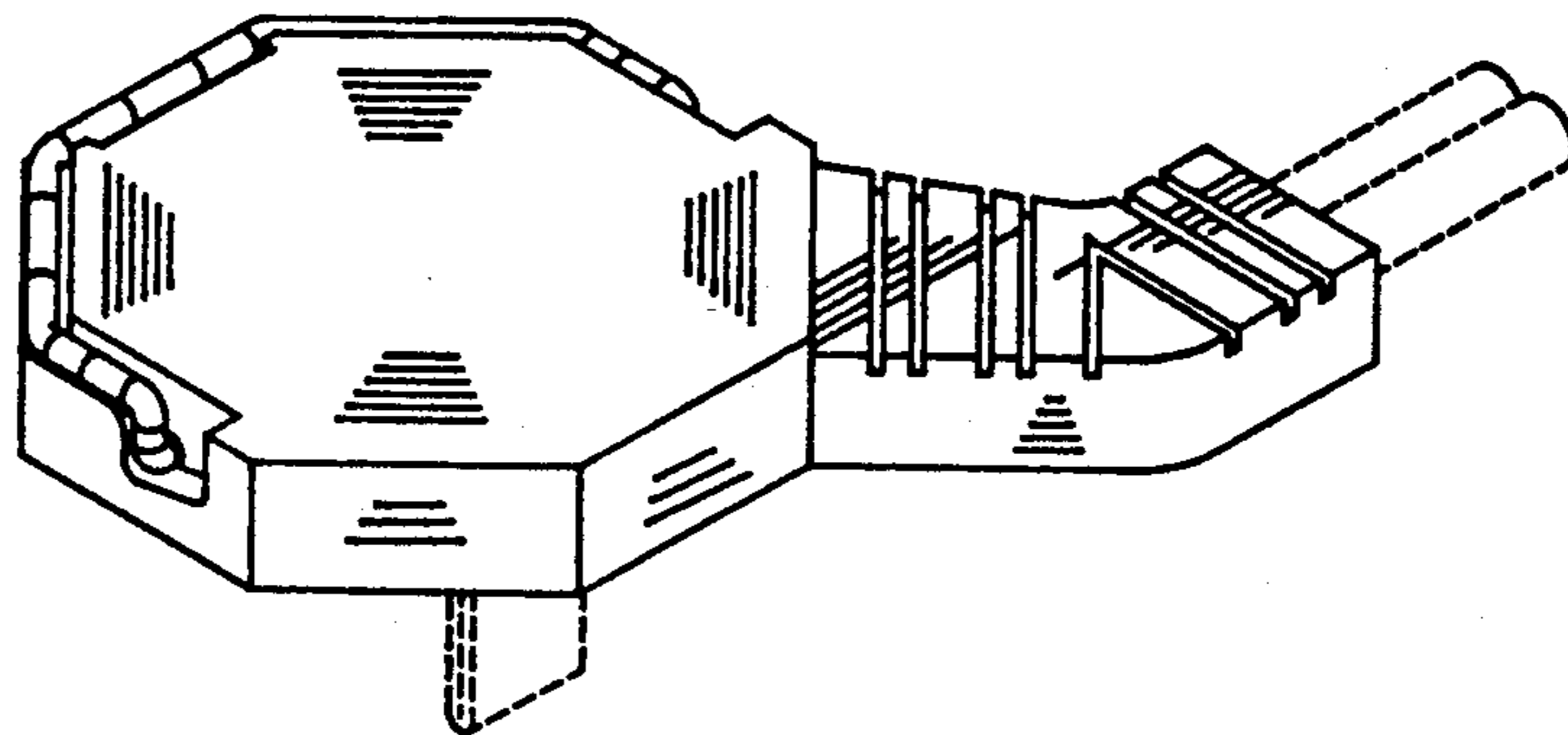


FIG. 1

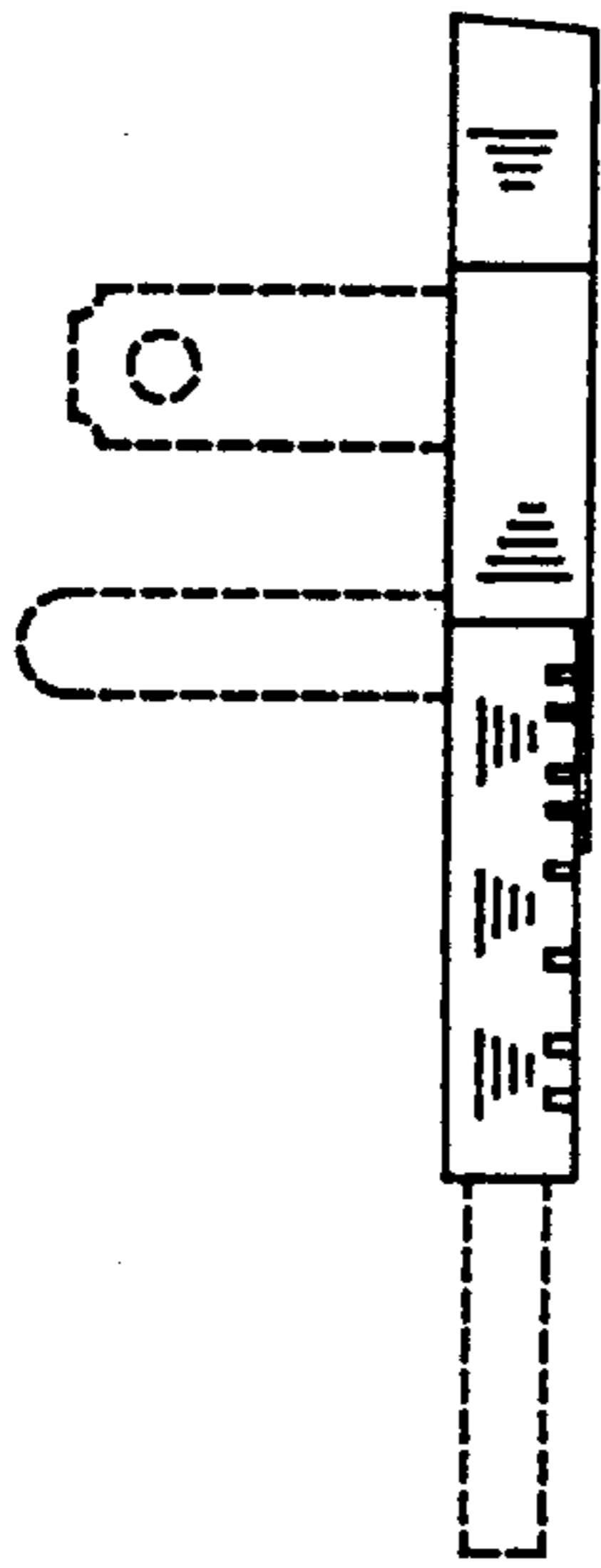


FIG. 2

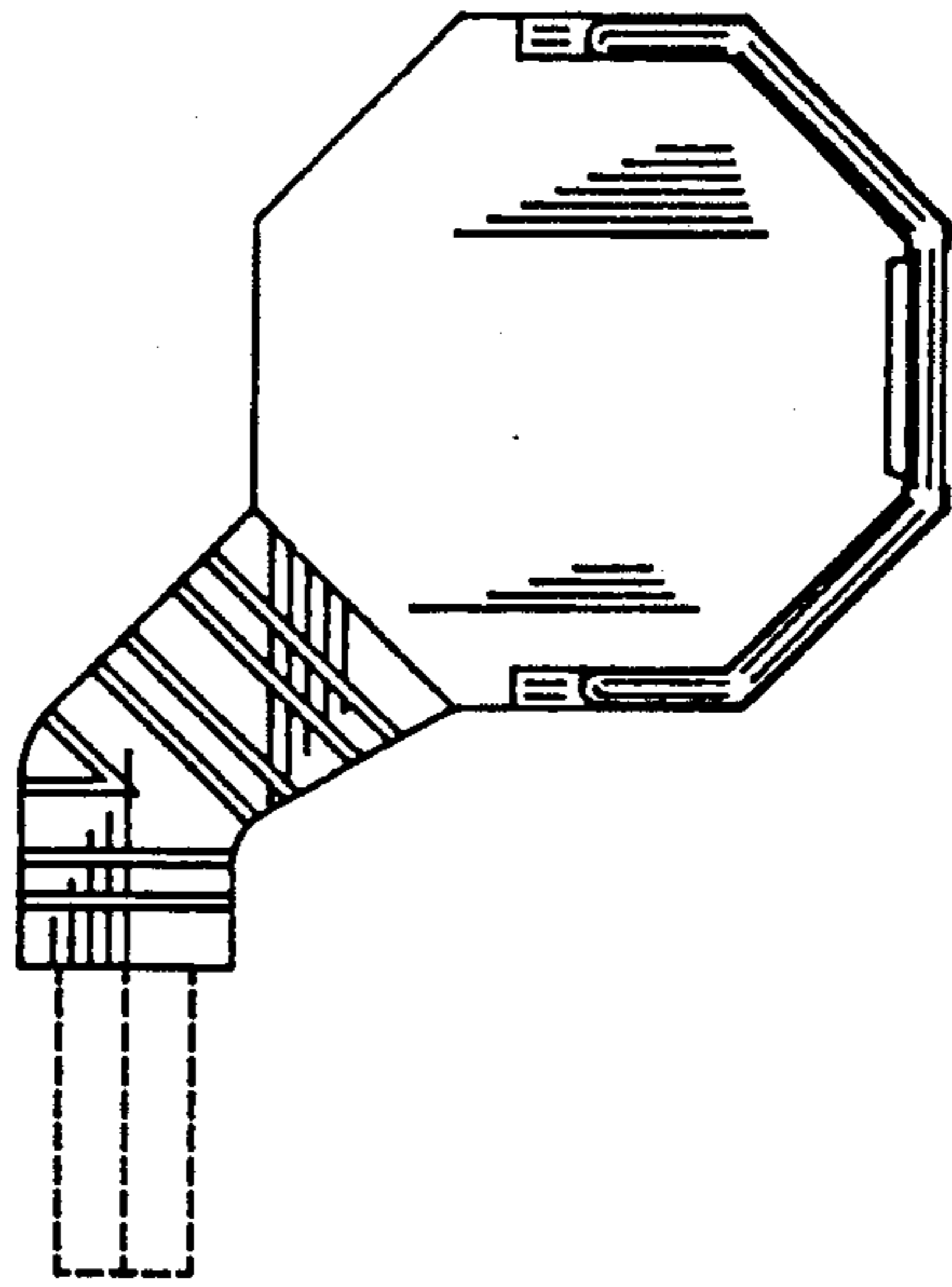


FIG. 3

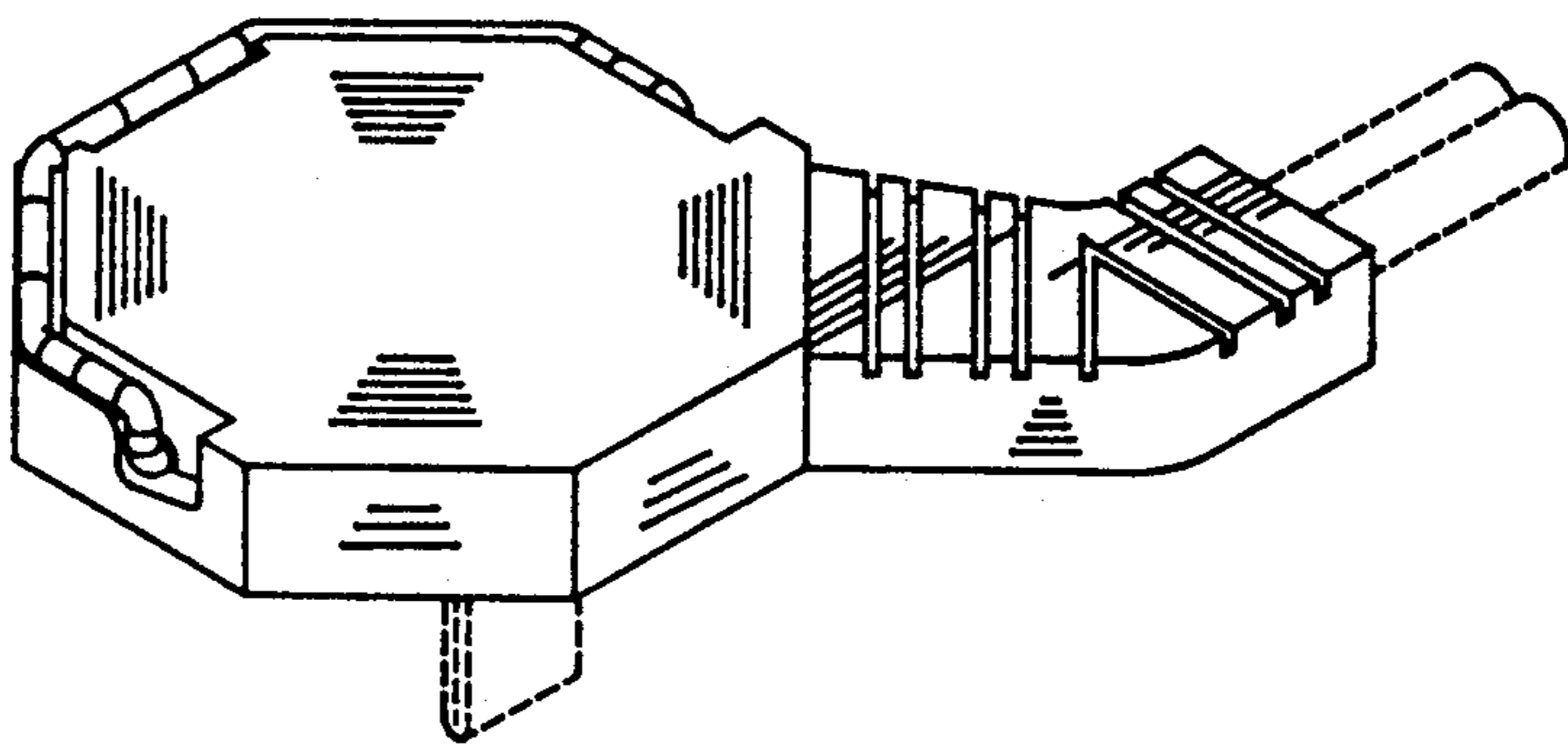


FIG. 4

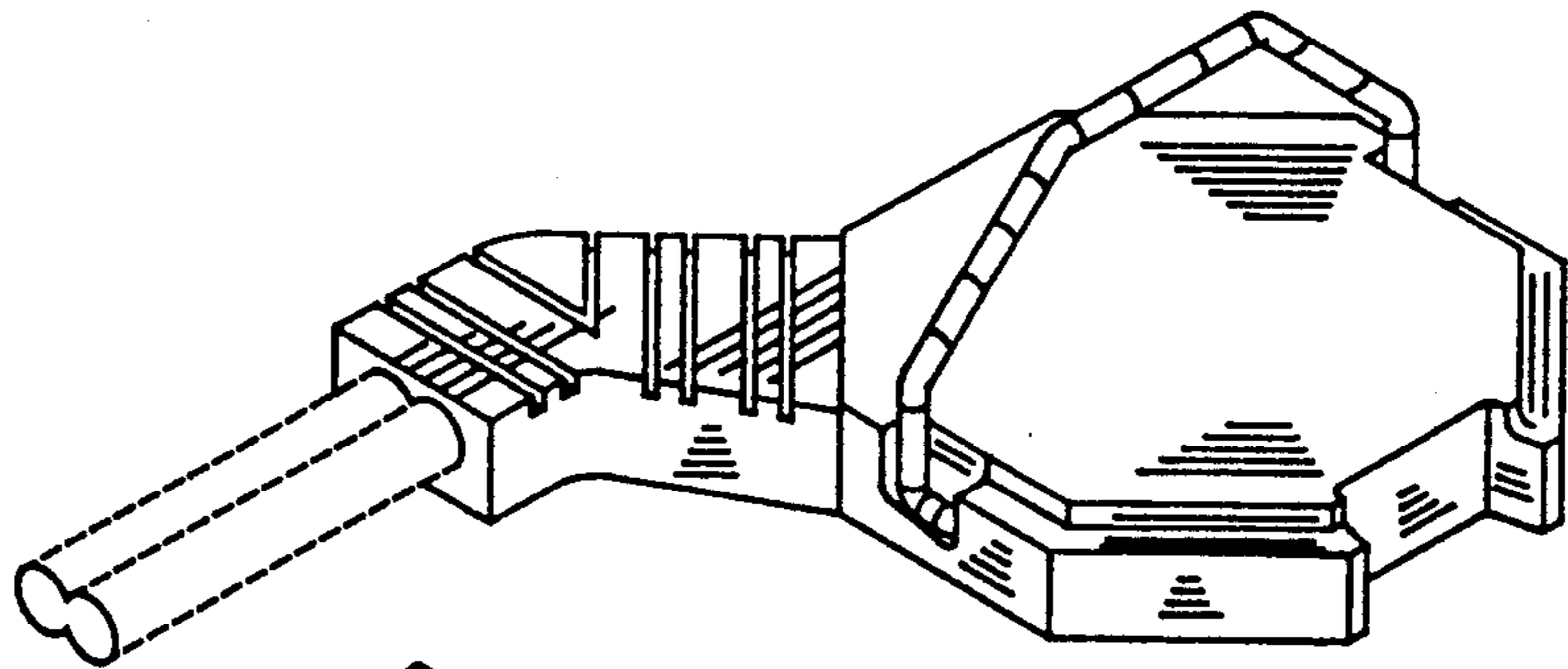


FIG. 5

