



US00D330008S

# United States Patent [19]

[11] Patent Number: **Des. 330,008**

Berg et al.

[45] Date of Patent: **\*\* Oct. 6, 1992**

[54] **FRONT PANEL FOR AN ELECTRIC FENCE INSULATOR**

4,028,489	6/1977	Berg, Jr. et al. ....	174/158 F X
4,771,137	9/1988	Thompson .....	174/175 X
4,866,218	9/1989	Wilson, Jr. ....	256/10 X
4,905,968	3/1990	Eby et al. ....	256/10

[75] Inventors: **Jon A. Berg; Ronald H. Langlie**, both of Ellendale, Minn.

*Primary Examiner*—Susan J. Lucas  
*Assistant Examiner*—M. H. Tung  
*Attorney, Agent, or Firm*—Peterson, Wicks, Nemer & Kamrath

[73] Assignee: **North Central Plastics, Incorporated**, Ellendale, Minn.

[\*\*] Term: **14 Years**

[57] **CLAIM**

[21] Appl. No.: **342,439**

The ornamental design for a front panel for an electric fence insulator, as shown and described.

[22] Filed: **Apr. 21, 1989**

**DESCRIPTION**

[52] U.S. Cl. .... **D13/129**

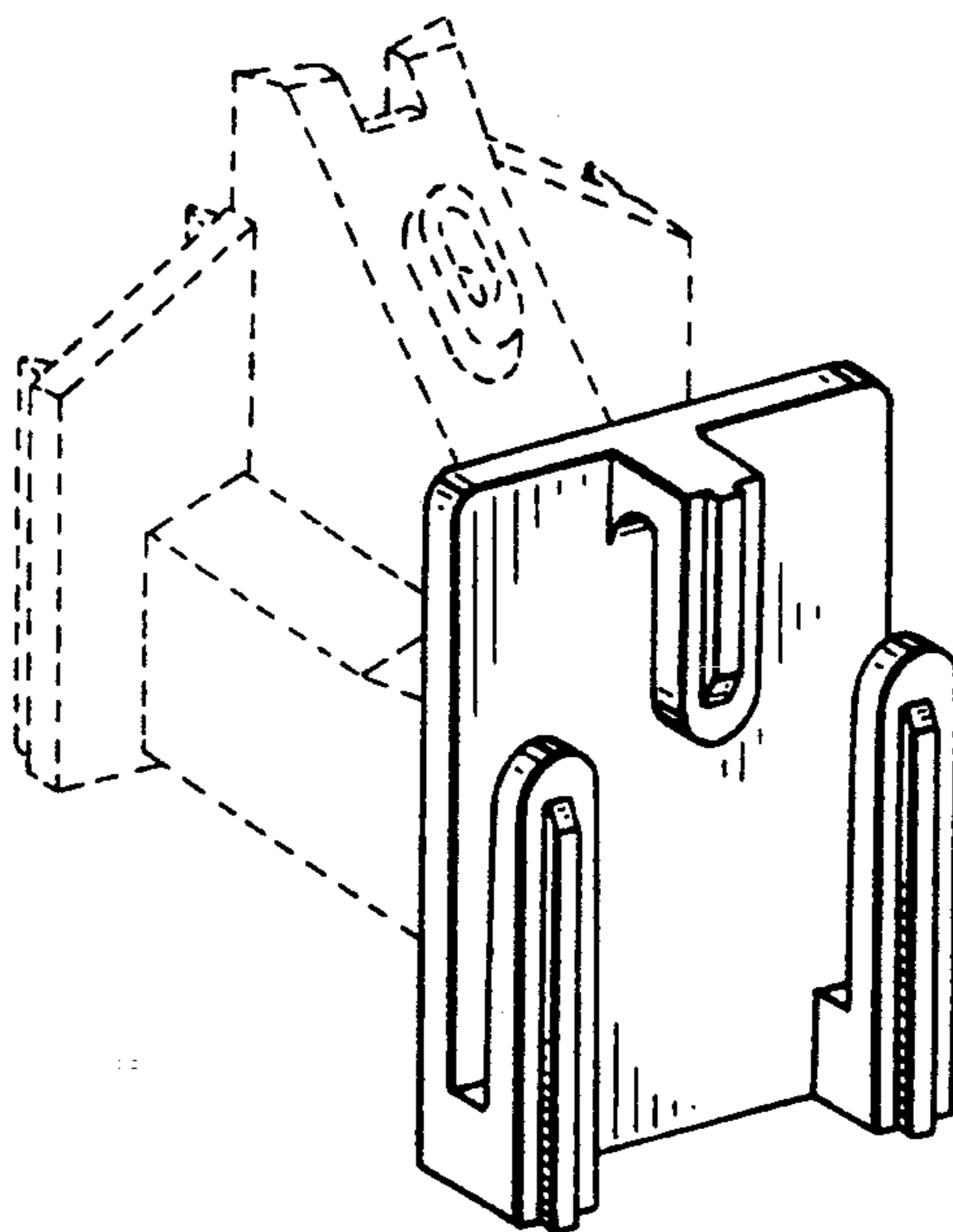
[58] Field of Search ..... **D13/129, 131-132; 174/158 F, 161 F, 163 F, 171, 175; 256/10, 47**

FIG. 1 is a perspective view of a front panel for an electric fence insulator showing our new design, the broken line drawing is for illustrative purposes only and forms no part of the claimed design; FIG. 2 is a front elevational view thereof; FIG. 3 is a top plan view thereof; FIG. 4 is a bottom plan view thereof; and, FIG. 5 is a right side elevational view thereof, the left side being a mirror image.

[56] **References Cited**

**U.S. PATENT DOCUMENTS**

D. 300,423	3/1989	Reeves .....	D13/129
3,733,429	5/1973	Berg, Jr. et al. ....	174/161 F
3,752,902	8/1973	Wilson .....	174/175 X
3,820,758	6/1974	Berg, Jr. et al. ....	256/10



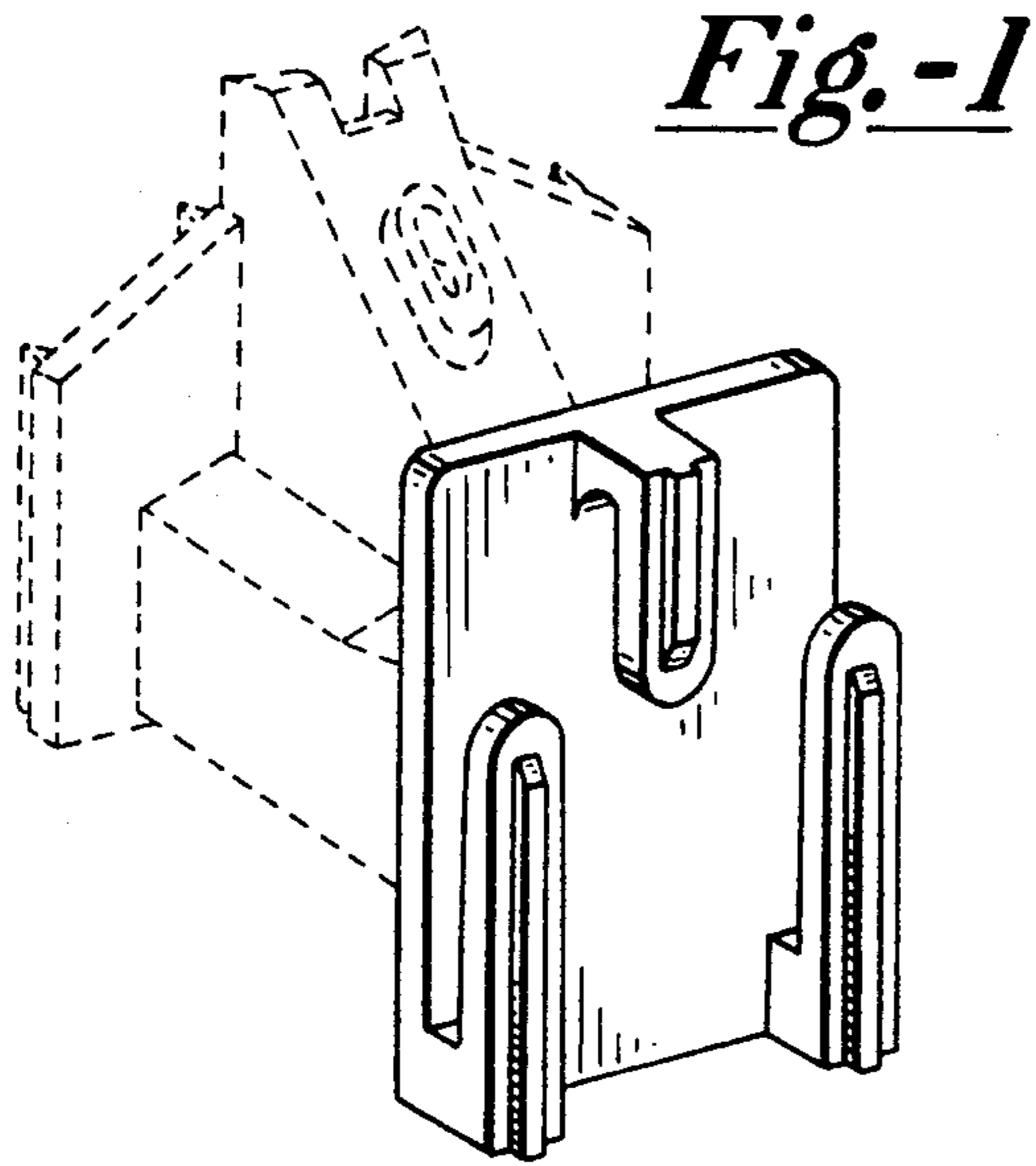


Fig.-2

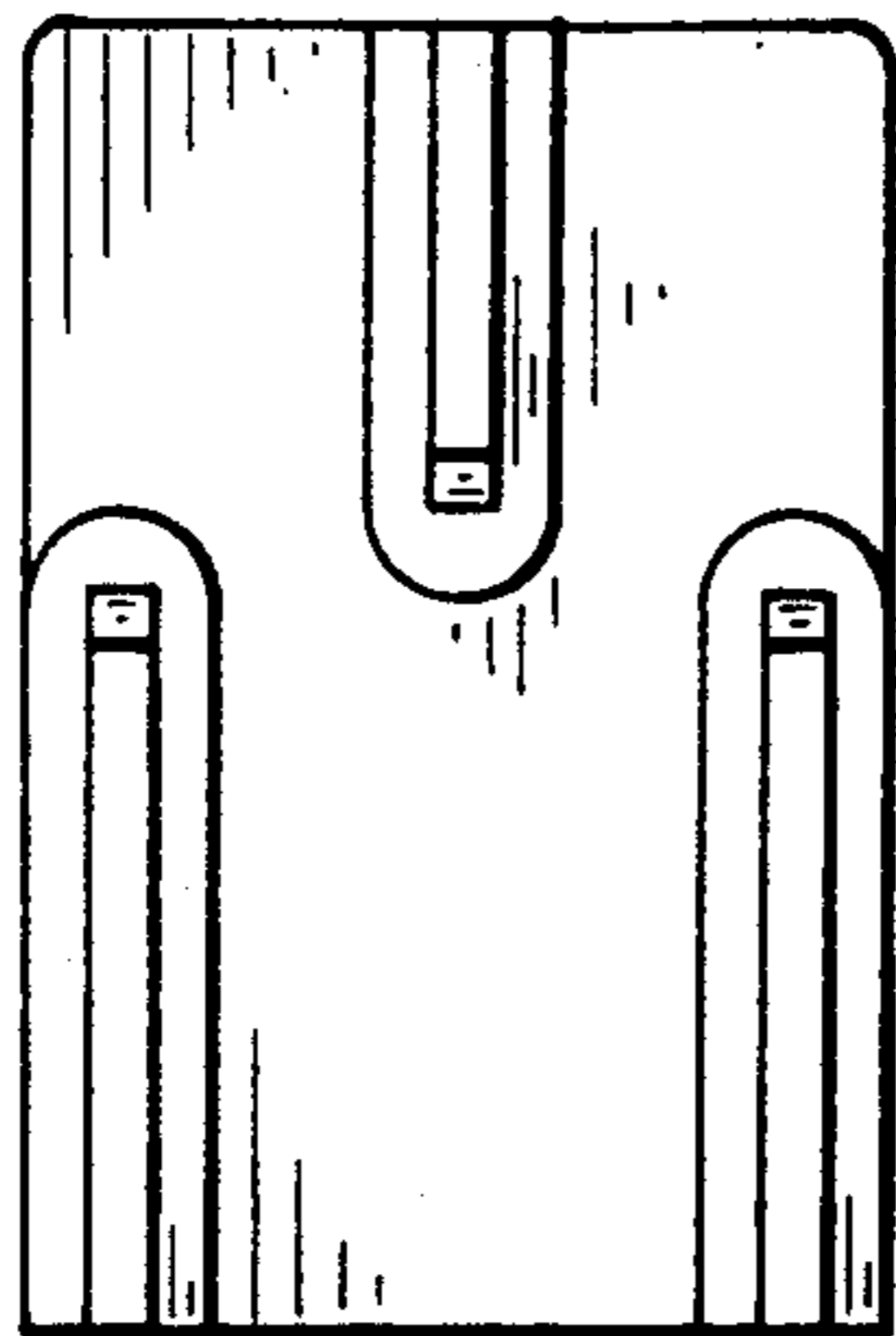


Fig.-5



Fig.-3



Fig.-4

