



US00D330002S

# United States Patent [19]

[11] Patent Number: **Des. 330,002**

Forte

[45] Date of Patent: **\*\* Oct. 6, 1992**

[54] **PAIR OF VEHICLE EXTERNAL REAR VIEW MIRRORS AND COMBINED HEATING UNIT THEREFOR INCLUDING A MAIN SWITCH, A HEATER AND A POWER UNIT**

*Primary Examiner*—James M. Gandy  
*Attorney, Agent, or Firm*—Terry M. Gernstein

[76] Inventor: **Joseph Forte, 18 Deanne Dr., Unit 34, Hillsboro, N.J. 08876**

[57] **CLAIM**

[\*\*] Term: **14 Years**

The ornamental design for a pair of vehicle external rear view mirrors and combined heating unit therefor including a main switch, a heater and a power unit, as shown and described.

[21] Appl. No.: **533,705**

**DESCRIPTION**

[22] Filed: **Jun. 5, 1990**

FIG. 1 is a perspective view of a pair of vehicle external rear view mirrors and combined heating unit therefor including a main switch, a heater and a power unit showing my new design;

[52] U.S. Cl. .... **D12/188**

FIG. 2 is a side elevational view thereof;

[58] Field of Search ..... **D12/187, 188; 359/507, 359/512, 838, 843, 844, 871, 872, 874, 876; 219/219**

FIG. 3 is an opposite side elevational view thereof;

FIG. 4 is an end elevational view thereof;

FIG. 5 is an opposite end elevational view thereof; and,

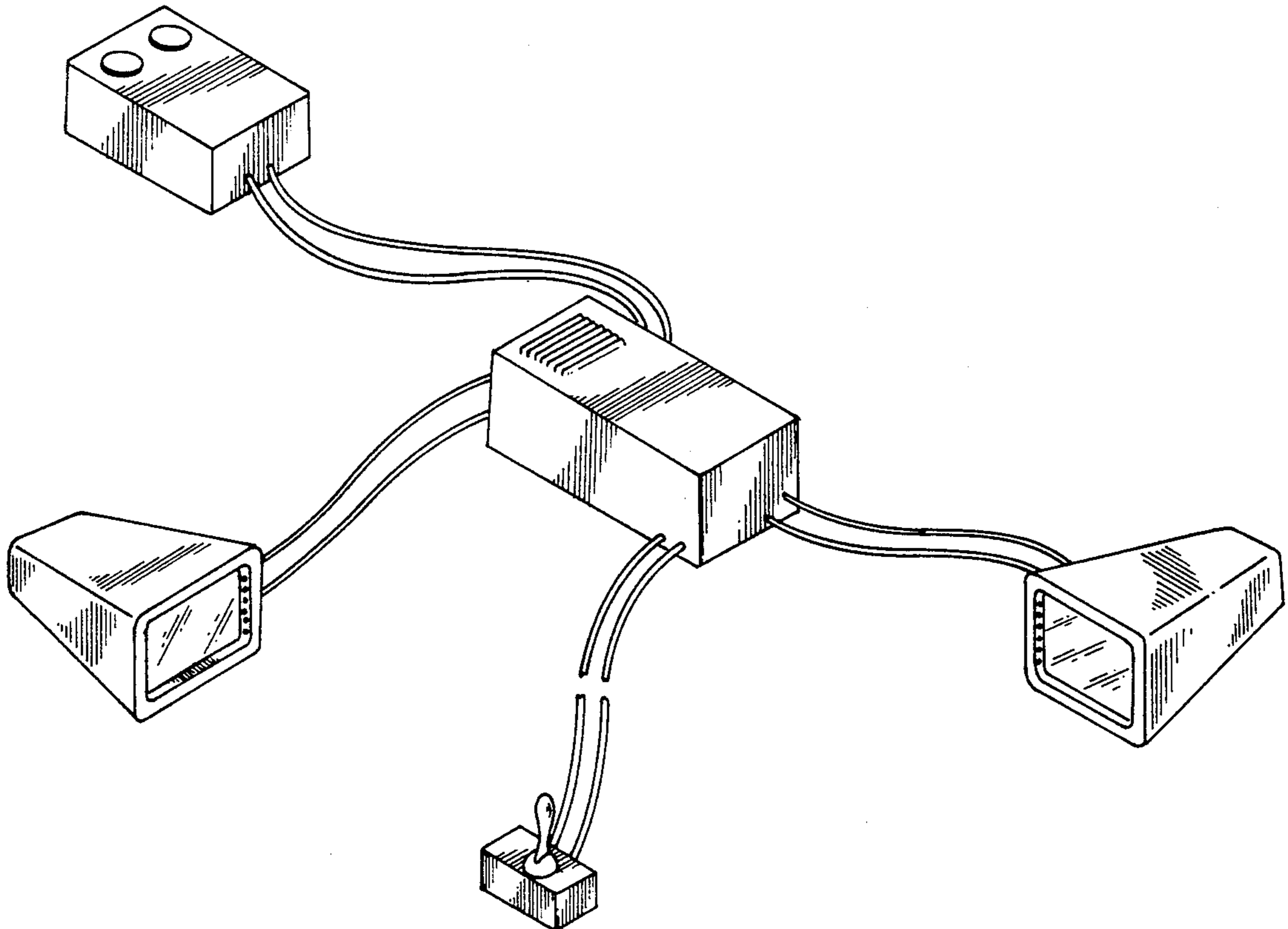
FIG. 6 is a top plan view thereof.

[56] **References Cited**

**U.S. PATENT DOCUMENTS**

3,624,347	11/1971	Fuqua et al. ....	219/219
4,283,117	8/1981	Ellis .....	350/289
4,462,303	7/1984	Gebhard .....	98/2
4,763,381	8/1988	Williams .....	15/250.01

The wires connected to the switch and one of the rear view mirrors are shown broken away in the middle in FIGS. 1 through 6 and FIGS. 4, 5 and 6 respectively for convenience of illustration.



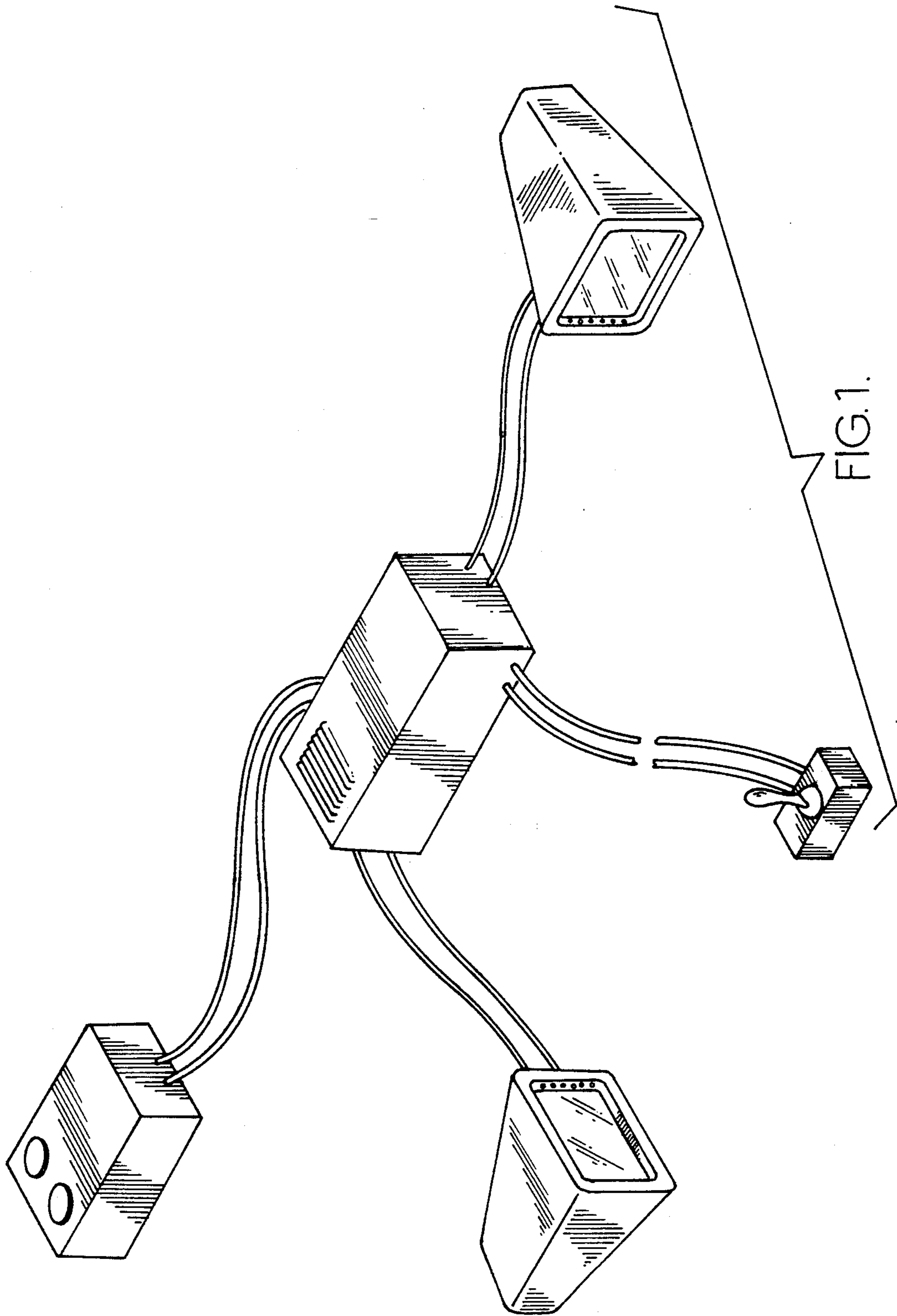


FIG. 2.

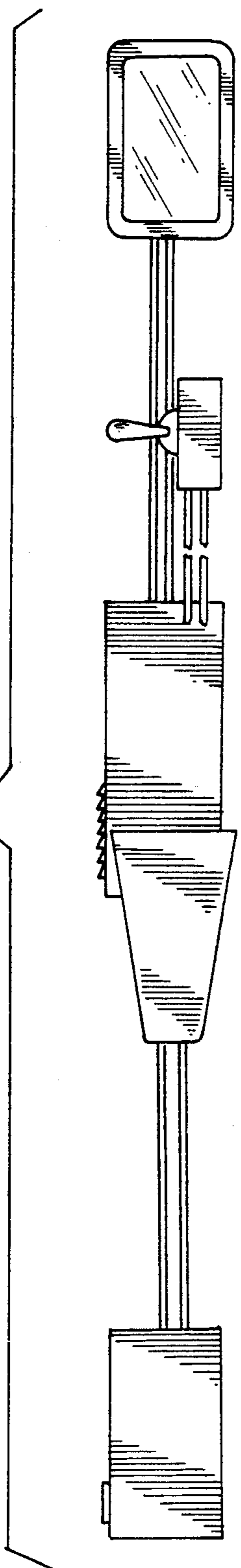


FIG. 3.

