



US00D32999S

# United States Patent [19]

Vourakes et al.

[11] Patent Number: **Des. 329,999**

[45] Date of Patent: **\*\* Oct. 6, 1992**

[54] **COMBINED VEHICLE BUMPER AND STORAGE TRUNK**

[76] Inventors: **Panayiotakys Vourakes**, P.O. Box 547, Leamington, Ontario, Canada, N8H 3C4; **Dave Dyck**, 1 Coronation Apt. 304, Leamington N8H 2K9, Ontario, Canada

[\*\*] Term: **14 Years**

[21] Appl. No.: **521,646**

[22] Filed: **May 10, 1990**

[52] U.S. Cl. .... **D12/157; D12/169**

[58] Field of Search ..... **D12/157, 169; D3/40, D3/30.1; 293/106, 117; 224/42.03 R, 42.03 A, 42.04**

[56] **References Cited**

### U.S. PATENT DOCUMENTS

D. 278,894 5/1985 James ..... D12/157  
3,614,136 10/1971 Dent ..... D12/169  
4,570,986 2/1986 Sams ..... 224/42.03 A

*Primary Examiner*—James M. Gandy  
*Attorney, Agent, or Firm*—Perry Carvellas

### [57] CLAIM

The ornamental design for a combined vehicle bumper and storage trunk, as shown and described.

### DESCRIPTION

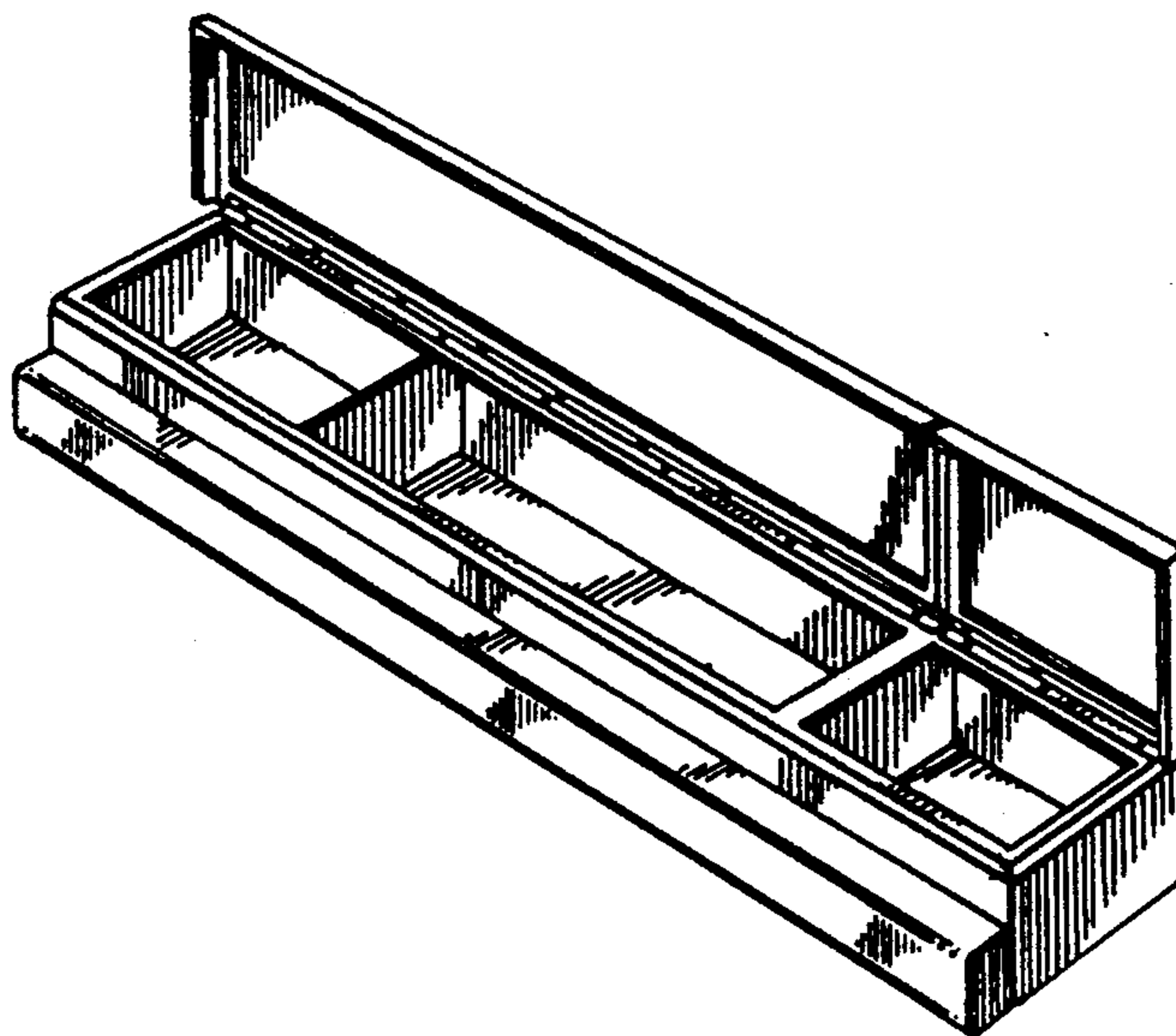
FIG. 1 is a right front perspective view of a combined vehicle bumper and storage trunk in accordance with our new design, the cover of the trunk being shown in open condition;

FIG. 2 is a top plan view thereof;

FIG. 3 is a front elevation view thereof; and,

FIG. 4 is a left end elevation view thereof.

The bottom and rear of the combined vehicle bumper and storage trunk are flat and unornamented.



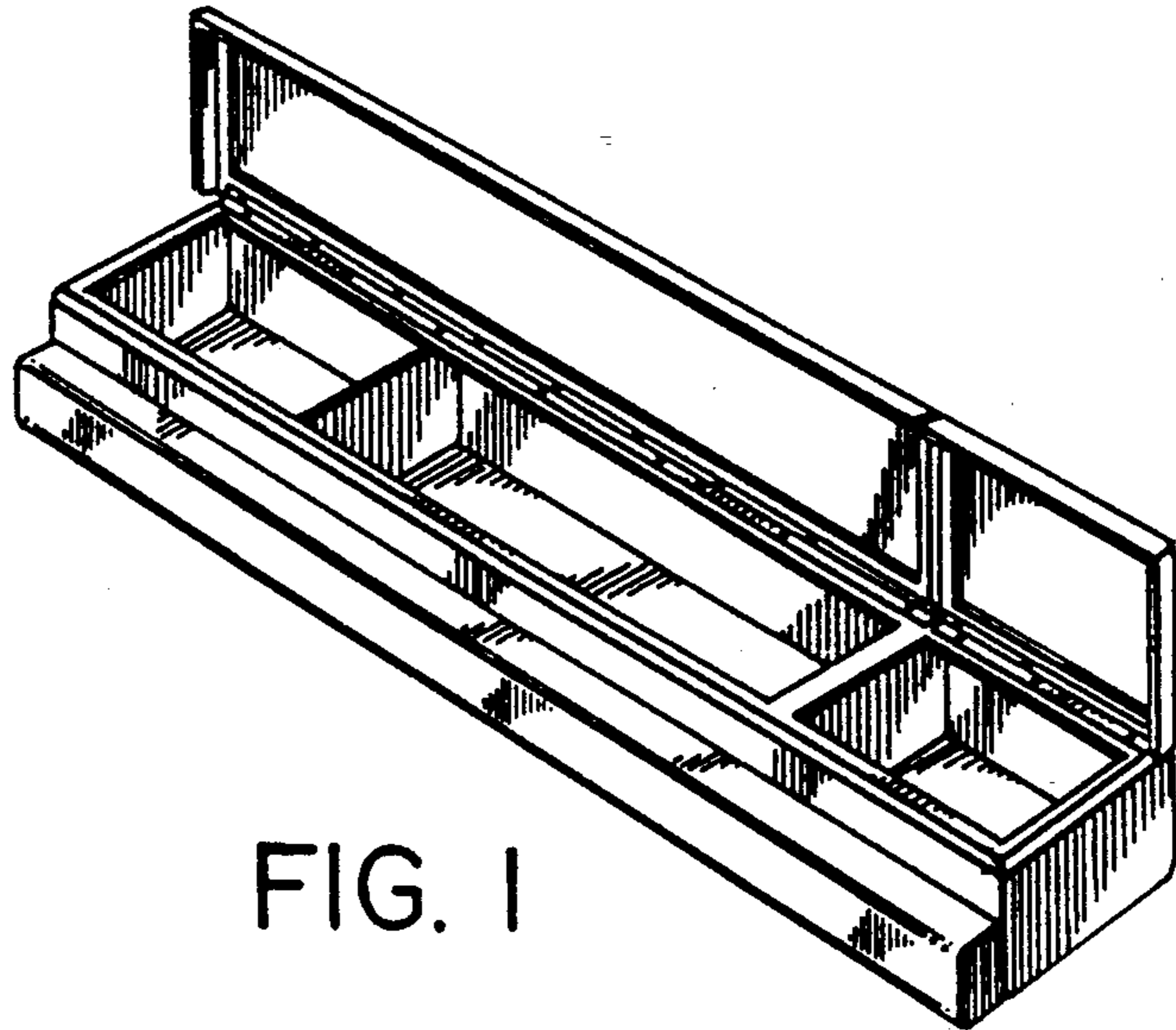


FIG. 1

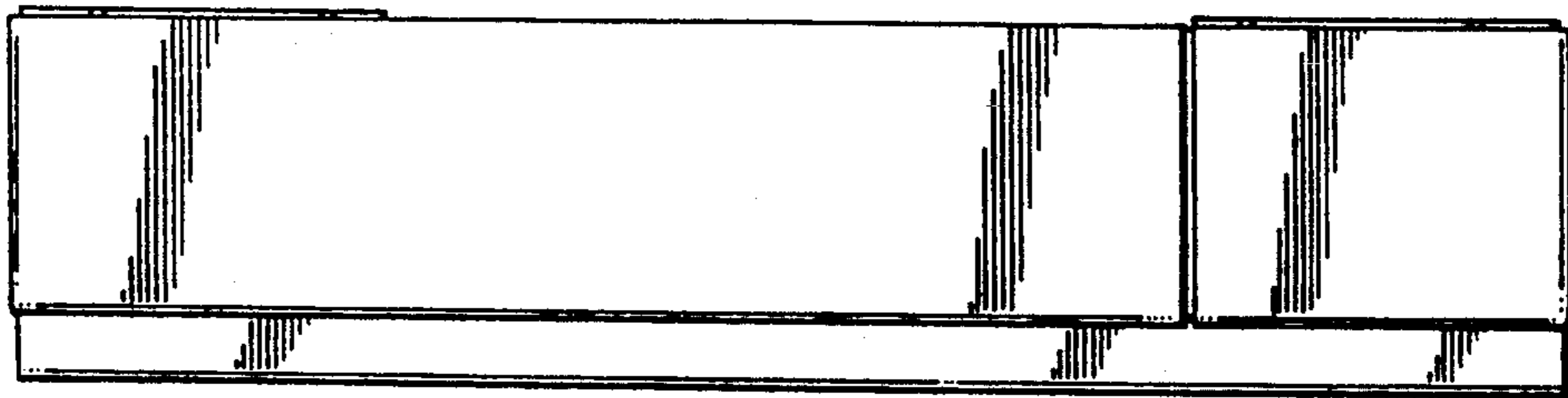


FIG. 2



FIG. 3

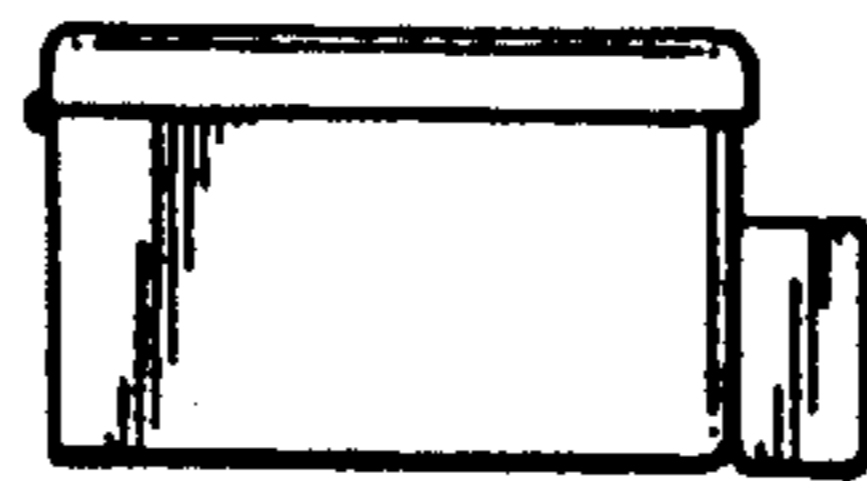


FIG. 4